

CITROËN

SPARE PARTS CATALOGUE

ID 19

CITROEN

SPARE PARTS CATALOGUE

MECHANICAL AND BODY

ID 19

BERLINE
(SALOON)

MODELS 1957 TO 1964



No. 470

April 1964 Edition

CITROEN CARS LIMITED
TRADING ESTATE - SLOUGH - BUCKS
ENGLAND

Telephones - Slough 23811 (10 Lines)

Telegrams - Citroworks - Slough

Editor's note:

I've made a Bookmark index for this parts list. You can reveal and use this by clicking on the 'Show/Hide Navigation Pane' icon at the top of the screen, or on the doublearrow gizmo near the bottom left of the screen. You'll then see an index, some of it nested. If you click on one of these Bookmarks you will be taken directly to the drawing which illustrates the section named in the Bookmark.

This poses a certain navigation problem, because you can't, on a normal-sized computer monitor, show the picture and text simultaneously, in the way the printed original does with facing pages. I suggest that having gone to the drawing, and from there into the text, that if you wish to return to the drawing you use the Bookmark to do so, then the 'Back' button to get you back to where you were in the text if you need to return.

In the interests of clarity and economy of space I've occasionally shortened the names Citroën gave to the sections, but generally I've tried to remain faithful to the slightly idiosyncratic original. Likewise with the order. The logic of the division into sections is, sometimes mysterious, but with luck the Bookmarks will help you find what you are looking for! I've certainly found that they permit me to find things much more quickly.

Please e-mail me with any errors or omissions you find - and with any suggestions for improving these documents.

tony@you-me-and-us.com

PREFACE

This catalogue primarily covers cars made in France, although the majority of the parts are used in British built cars.

The catalogue consists of illustrations and descriptions of the mechanical and body parts for private cars ID 19 Saloons, 1957 to 1964 Models.

a) Arrangement. The binding is of a type which allows easy replacement of the pages when any considerable changes are made.

b) Classification and names. The parts are classified by units or assemblies. They are grouped, in the illustrations, in the order in which they are assembled; in the text, on the opposite page, they are arranged in numerical order.

Finding a part number is thus made easy and rapid; when the length of the text requires the use of several pages, the illustration is repeated as often as needed.

We have added to the description of certain parts, dimensions and particulars which assist in quicker identification. These dimensions are given for identification only and are subject to modification as may become necessary.

The quantity of each part, required in a unit or sub-assembly, is shown in the "Number off" column.

c) Reading the catalogue. Consult first the "Symbols Chart" (Page V) to identify the chassis and body types, then the "Table of Contents" (Pages VI to IX) which refers to the text and illustration pages. Look for the part in the illustration on which the number is shown, look up this number on the text page and read the description there; should a part have several numbers on the illustration, look up these numbers on the text page to ensure correct identification.

With certain units and assemblies, different types of assembly have been dealt with in more than one chapter at the head of which the dates for the differing assemblies are given.

For parts not illustrated and where there can be no difficulty in identifying them, look for the name and number directly in the text.

If it should happen that in some rare case, you are not certain of being able to write out the order correctly, it is advisable to give us the chassis and engine numbers and the type of body.

The classification of the "Spare Parts" Department into Sections I, II, III and IV no longer applies to parts with numbers beginning with "D", however, the classification "Section VI" still applies.

The parts in "Section VI", with numbers beginning with "D", or with the old numbering, are incorporated, according to their purpose, in the various chapters of the present catalogue, but with the mention: (Section VI) after the description.

Parts of the old numbering, remain classified into sections indicated as (Section I), (Section II), (Section III) and (Section IV) after the part description.

d) Placing orders.

1. Parts with numbers of the "D" series. Make out a separate order for :

- Parts in Section VI.
- Complete units, body, cylinder blocks, crankcases.
- All other parts together in full numerical order.
- Do the same for parts belonging to the DA, DB, DF, **DM**, **DS** and DW series.

2. Parts with numbers belonging to the "General Series".

Make out a special order for each section (Section I), (Section II), (Section III), (Section IV) and (Section VI).

The orders for the "General Series" made out this way apply to parts for all types of vehicles indiscriminately.

Special order forms are available on application.

e) Prices and conditions of sale. Prices are given in a separate list; they are subject to alteration without notice.

The Conditions of Sale are shown at the head of our price lists for: spare parts, reconditioned units and standard exchanges.

NUMBERING OF PARTS

The new system of spare parts numbering, which we have adopted several years ago, is the one used for spare parts for private cars ID 19 Saloon Model and each division of the catalogue begins with these parts. Following them come parts which are common to this model and to others, these parts retaining their former style of numbering.

METHOD

The number is composed of:

- a) One or more capital letters.
- b) Two numbers of one to three figures separated by a hyphen.
Example: DM 114-5a-Engine crankcase without cylinder barrels.

The last figure may be followed by a small letter used to indicate a part which is the same (as regard its purpose) but not interchangeable because:

- it is assymmetrical (right or left-hand part).
- the dimensions are different.

COMPOSITION OF NUMBERS

The car is divided into nine main sections (units or unit assemblies serving the same purpose) designated by the first figure of the first number namely:

1. Engine proper.
2. Engine (accessories connected with its purpose).
3. Transmission (clutch, gearbox, drive shafts and universal joints).
4. Connection with the ground (front and rear axles, brakes, steering).
5. Electrical) visibility, signalling.
6. Safety, comfort, tools.
7. Chassis, platform, hull.
8. Body, fittings.
9. Upholstery, trimming.

These nine main sections are themselves divided into different groups represented by the second figure in the first number.

These groups in turn are divided into sub groups indicated by the third figure in the first number.

Example: DM 331-0 - Gearbox lid assembled with selector forks and rods.

CLASSIFICATION OF PARTS IN THE CATALOGUE

In all our printed matter we have adopted the following classification, in principle:

1. Numerical, in conjunction with the two numbers but governed by the first one.
2. Alphabetical for the index letters (as prefix or suffix).
 - For concrete examples, see Index page (X to XLIX).

CATALOGUE IN NUMERICAL ORDER

The parts to which this new system of numbering is applied are not included in our "Catalogue in numerical order." No. 502.

To make it more easy to find a part whose number you know, we have compiled an index (page X to XLIX) in this catalogue, which shows you the page on which the part concerned appears.

RECOMMENDATION

You should take great care to note exactly:

- the letters (capitals as prefix, small letters as suffix).
- the hyphens separating the two numbers.

The omission of one of these items, when composing a number, completely alters the meaning and you would thus risk making an error in writing out the number of a part and of being sent a part entirely different from the one wanted.

SYMBOLS USED TO DESIGNATE CHASSIS AND BODY TYPES

| SYMBOLS | GENERAL CHARACTERISTICS |
|----------------------|--|
| TYPE ID 19 LUXE | <p>Engine: 4 cylinders 78 x 100 mm, aluminium cylinder head;</p> <p>Clutch: single dry plate;</p> <p>Gearbox: 4 speeds;</p> <p>Steering: by rack and pinion (manual) or: rack and pinion assisted (hydraulic);</p> <p>Brakes: disc type on front wheels, drum type on rear wheels;</p> <p>Suspension: hydro-pneumatic;</p> <p>Front track: 1.500 m (4' 11");</p> <p>Rear track: 1.300 m (4' 3$\frac{1}{4}$");</p> <p>Front wheels: 165 x 400;</p> <p>Rear wheels: 155 x 400 (French production);</p> <p>Rear wheels: 165 x 400 (English production);</p> <p>Body: five seats, four doors.</p> |
| TYPE ID 19 CONFORT | <p>Characteristics as for ID 19 Luxe Model, except: Confort Equipment.</p> |
| TYPE ID 19 NORMALE | <p>Characteristics as for ID 19 Luxe Model, except: Engine: 4 cylinders 78 x 100, cast-iron cylinder head.</p> |
| TYPE ID 19 CABRIOLET | <p>Characteristics as for ID 19 Berline Confort except body: five seats, two doors.</p> |
| TYPE (P. O.) | <p>Characteristics as for corresponding types: ID 19 Luxe, ID 19 Confort (cars fitted with special equipment, particularly against dust).</p> |

TABLE OF CONTENTS

| | PAGE NUMBERS | | PAGE NUMBERS |
|--------------------------|-----------------|---------------------------------|-----------------|
| WINGS, FRONT | 306 to 311 | | |
| WINGS, REAR | 312 to 315 | | |
| PETROL SYSTEM | 44 to 47 | Steering | 194 and 195 |
| Petrol pump | 44 to 47 | Brakes | 196 to 203 |
| Tank - pipes | 44 to 47 | Suspension | 186 to 193 |
| PARTITION | 329 | BONNET | 316 to 319 |
| BENCH SEAT | 355 to 357 | HOOD | 365 |
| Front | 352 | SAFETY HARNESS | 370 |
| Rear | 352 | HEATING AND VENTILATION | 270 to 288 |
| Gearbox, complete | 74 to 79 | | |
| Gearbox casing | 74 to 79 | Left-hand steering | 98 to 101 |
| Gearbox lid | 74 to 79 | Right-hand steering | 102 to 105 |
| Differential | 96 and 97 | GEAR CHANGE CONTROLS | |
| Forks and shafts | 80 and 81 | Left-hand steering | 204 and 205 |
| Speedometer drive | 74 to 79 | Right-hand steering | 206 and 207 |
| Pinions, shafts | 82 to 95 | HEIGHT ADJUSTMENT CONTROL | |
| Gearbox suspension | 30 to 33 | Left-hand steering | 204 and 205 |
| BODY | 290 | Right-hand steering | 206 and 207 |
| | | DEMISTER | 270 to 287 |
| | | STARTER | 232 to 239 |

TABLE OF CONTENTS

| | | PAGE NUMBERS | | | PAGE NUMBERS | |
|-------------------------------------|--------------------------------------|--------------------------------|-------------------------------|---------------------------|---------------------------------------|-------------|
| STEERING (MECHANICAL) | Lever and rods | 132 to 135 | BODY UNITS | Front units | 292 to 299 | |
| | Relay housings | 132 to 135 | | Rear units | 300 to 305 | |
| | Rack | 122 to 125 | | CLUTCH | Operating mechanism, plate, fork .. | 72 and 73 |
| | Wheel bracket | 118 and 119 | | | Anti-roll bar | 162 to 165 |
| Lever and rods | 136 to 139 | Link arms, swivels, hubs | 108 to 113 | | | |
| Relay housings | 136 to 139 | Half-axle, complete | 108 to 113 | | | |
| STEERING (HYDRAULIC) | Mechanical parts | 126 to 129 | AXLE, FRONT | Coupling levers | 108 to 113 | |
| | Hydraulic parts | 130 and 131 | | Anti-roll bar | 114 to 117 | |
| | Wheel bracket | 120 and 121 | | Link arms, complete | 114 to 117 | |
| | DYNAMO | 224 to 231 | | Hubs - stub axles | 114 to 117 | |
| ELECTRICAL EQUIPMENT | EXHAUST | 48 to 53 | AXLE, REAR | WINDSCREEN WIPER | 256 to 261 | |
| | Distributor | 54 to 61 | | BRAKES | Brake unit, front | 140 to 149 |
| | Horns | 253 | | | Piping | 196 to 203 |
| | Battery | 208 to 223 | | | Brake control (Right-hand steering).. | 182 and 183 |
| | Coils | 54 to 61 | Master cylinder | | 184 and 185 | |
| | Cables and electrical fittings | 250 to 253 | Backplates, shoes, rear | | 150 to 153 | |
| | Ignition system | 54 to 61 | Brake drums, rear | | 114 to 117 | |
| | Ignition control | 54 to 61 | Handbrake | | 168 and 169 | |
| | Switches | 208 to 223 | Partition | | 329 | |
| | Starter | 232 to 239 | Rear light | | 351 | |
| | Dynamo | 224 to 231 | Windscreen | | 351 | |
| | Interior lighting | 240 to 249 | GLASSES | | Doors, front and rear, BERLINE ... | 332 to 339 |
| Direction indicators | 240 to 249 | | Doors, CABRIOLET | | 329 | |
| Lamps: rear and stop - Reflectors . | 240 to 249 | | | | | |
| Headlamps | 240 to 249 | | | | | |
| Regulator | 224 to 231 | | | | | |

TABLE OF CONTENTS

| | | PAGE NUMBERS | | | PAGE NUMBERS |
|--------------------------|--------------------------------------|-----------------|-------------------------------------|-------------------------------|-----------------|
| FINISHING TRIMMING | Trimming for front and rear doors | 362 to 364 | TOOLS | | 289 |
| | Trimming for rear boot | 366 to 369 | | | |
| | Trimming for facia board | 366 to 369 | | | |
| | Trimming for seats and squabs ... | 352 | | | |
| WINDSCREEN WASHER | | 208 to 223 | WINDSCREEN | Glass | 351 |
| | | | | Sun visor | 255 |
| | | | | Pressure pad | 351 |
| | | | Rear view mirror | 255 | |
| WINDOW WINDER | Sealing strips | 332 to 339 | BUMPERS | Bumper, front | 262 to 267 |
| | Glasses, front and rear doors | 332 to 339 | | Bumper, rear | 268 and 269 |
| | Winder | 332 to 339 | | Number plate, front | 262 to 267 |
| | | | | Bracket | 262 to 269 |
| REAR LIGHT | Sealing strips, trimming | 366 to 369 | ROOF | Finishing sections | 320 to 323 |
| | Glass | 351 | | Cant rails | 320 to 323 |
| | Pressure pad for glass | 351 | | Beadings | 320 to 323 |
| | | | | Rear quarter panels | 320 to 323 |
| | | | | Roof | 320 to 323 |
| | | | | | |
| ENGINE | Camshaft | 28 and 29 | PEDAL GEAR | Left-hand steering | 170 to 175 |
| | Connection rods | 24 to 27 | | Right-hand steering | 176 to 181 |
| | LUXE | 14 to 17 | FACIA BOARD | Glove compartment | 208 to 223 |
| | Carburettor NORMALE | 18 and 19 | | Ash trays | 208 to 223 |
| | Cylinder block | 2 to 5 | | Glove compartment lid | 344 to 350 |
| | Cylinder barrels | 2 to 5 | | Central compartment lid | 344 to 350 |
| | Accelerated control L. H. steering.. | 34 to 39 | | Speedometer frame | 344 to 350 |
| | R. H. steering.. | 40 to 43 | | Facia units | 344 to 350 |
| | LUXE | 6 to 9 | | Choke control | 208 to 223 |
| | Cylinder head NORMALE | 10 to 13 | | | |
| | LUXE | 20 to 23 | | Hinges | 324 to 328 |
| | Air filter NORMALE | 18 and 19 | | Door frame trimmings | 324 to 328 |
| | Complete engine | 1 | Doors, front | 324 to 328 | |
| | Pistons | 24 to 27 | Doors, rear | 324 to 328 | |
| | Water pump | 64 to 67 | Clamping strips for door frames ... | 324 to 327 | |
| | Oil pump and oil circulation..... | 62 and 63 | | | |
| | Engine suspension | 30 to 33 | | | |
| | LUXE | 14 to 17 | | | |
| | Manifolds NORMALE | 18 and 19 | | | |
| | Fan | 64 to 67 | | | |
| Crankshaft | 24 to 27 | | | | |

TABLE OF CONTENTS (end).

| | | PART NUMBERS | | | PART NUMBERS |
|----------------------------------|--|-----------------|-------------------------------|--|-----------------|
| REAR BOOT DOOR | Stays..... | 340 to 343 | INSTRUMENT BOARD | | 208 to 223 |
| | Hinges | 340 to 343 | | | |
| | Inside trimming - lining | 366 to 369 | CARPETS, FRONT AND REAR | | 365 |
| | Boot door | 340 to 343 | | | |
| RADIO | | 254 | DRIVESHAFTS | | 106 and 107 |
| | Water piping..... | 68 to 71 | | | |
| RADIATOR | Fan cowl | 68 to 71 | | | |
| | Ducts | 70 and 71 | | | |
| WHEELS - Wheel accessories | | 289 | | | |
| | Door handles, front and rear | 331 | | | |
| LOCKS | Locks, front and rear..... | 331 | | | |
| FRONT SEATS | | 353 to 361 | | | |
| | Dampers, front | 162 to 165 | | | |
| | Dampers, rear | 166 and 167 | | | |
| | Protective plugs | 189 | | | |
| | Suspension piping | 186 to 193 | | | |
| | Control valve - accumulator | 154 to 159 | | | |
| SUSPENSION | Cylinder, front - corrector, front - suspension sphere, front | 162 to 165 | | | |
| | Cylinder, rear - corrector, rear - suspension sphere, rear | 166 and 167 | | | |
| | Suspension pump | 154 to 159 | | | |
| | Suspension pump (assisted steering) | 160 and 161 | | | |
| | Reservoir - pressure distribution block | 154 to 159 | | | |
| | Security valve | 154 to 159 | | | |

INDEX

| NUMBER | DESCRIPTION | Section | Page No. | REMARKS |
|------------|----------------------|---------|-------------------|---------|
| DM 1-03 | Engine | | 1 | |
| DM 1-03a | Engine | | - | |
| DM 1-03b | Engine | | - | |
| DM 1-03c | Engine | | - | |
| DM 1-03f | Engine | | - | |
| DM 8-05 | Bodywork | | 290 | |
| DM 8-05b | Bodywork | | - | |
| DM 8-05h | Bodywork | | - | |
| DM 8-05r | Bodywork | | - | |
| DM 8-05s | Bodywork | | - | |
| DM 8-05t | Bodywork | | - | |
| DM 8-05u | Bodywork | | - | |
| DM 8-05v | Bodywork | | - | |
| DM 8-09a | Rear unit | | 300-303 | |
| DS 8-09a | Rear unit | | - | |
| DM 8-98a | Bulkhead | | 292 | |
| DM 8-98c | Bulkhead | | 292-296 | |
| DM 8-98d | Bulkhead | | - | |
| DF 33-0g | Gearbox | | 74 | |
| DF 33-0h | Gearbox | | - | |
| DW 33-0a | Gearbox | | - | |
| DF 33-01g | Gearbox | | - | |
| DF 33-01h | Gearbox | | - | |
| DM 33-01h | Gearbox | | - | |
| DW 33-01d | Gearbox | | - | |
| DW 33-01g | Gearbox | | - | |
| DS 41-03 | Half-shaft | | 109 | |
| DS 41-03a | Half-shaft | | - | |
| D 64-1 | Engine | VI | 288 | |
| D 64-1a | Engine | VI | - | |
| D 64-2 | Fixture | VI | - | |
| DS 111-01 | Set of sleeves | | 2 | |
| DS 111-01c | Set of sleeves | | 5 | |
| DS 111-3 | Gasket | VI | 2 | |
| D 112-01 | Cylinder head | | 10 | |
| DM 112-01 | Cylinder head | | 6 | |
| DS 112-01a | Cylinder head | | 9 | |
| DS 112-3a | Gasket | VI | 6 | |
| DS 112-3b | Gasket | VI | 9 | |
| D 112-4 | Screw | | 6-10 | |
| D 112-4a | Screw | | 6 | |
| DS 112-4 | Screw | | - | |
| DM 112-87 | Plate | | - | |
| DM 112-88 | Gasket | VI | 6-271-275-280-287 | |
| DS 112-91 | Gasket | | 6 | |

| NUMBER | DESCRIPTION | Section | Page No. | REMARKS |
|------------|------------------------|---------|----------|---------|
| DS 112-91a | Gasket | | 6 | |
| DS 112-92 | Baffle | VI | - | |
| DS 112-92a | Washer | VI | - | |
| D 112-96 | Pipe | | 10 | |
| DS 112-97 | Pipe | | 6 | |
| DS 112-97a | Pipe | | - | |
| DS 113-02 | Cup | | 2 | |
| D 113-11 | Gasket | VI | - | |
| D 113-12 | Gasket | VI | - | |
| DM 113-16 | Half bearing | VI | 25 | |
| DS 113-16b | Half bearing | VI | - | |
| DM 113-17 | Half bearing | VI | - | |
| DS 113-17b | Half bearing | VI | - | |
| DM 113-18 | Half bearing | VI | - | |
| DS 113-18 | Half bearing | VI | - | |
| DS 113-50 | Pipe | | 2 | |
| DS 113-91a | Ring | VI | 25 | |
| DS 113-91b | Ring | VI | - | |
| DS 113-91c | Ring | VI | - | |
| D 113-97 | Panel | | 2 | |
| D 113-98 | Screw | | - | |
| DM 114-5 | Housing | | - | |
| DM 114-5a | Housing | | - | |
| DM 114-6 | Cylinder housing | | - | |
| DF 114-85 | Gasket | VI | - | |
| DF 114-86 | Plate | | - | |
| DS 121-04t | Crankshaft | | 26 | |
| DS 121-04v | Crankshaft | | 25 | |
| DS 121-05 | Flywheel | | - | |
| DM 121-010 | Rod | | - | |
| DS 121-010 | Rod | | 25-26 | |
| D 121-2c | Bush | VI | 25 | |
| D 121-2d | Bush | VI | - | |
| D 121-6 | Ring | | - | |
| DS 121-6 | Ring | | - | |
| DS 121-6a | Ring | VI | - | |
| DS 121-7 | Ring | | - | |
| DM 121-9 | Half bearing | VI | - | |
| DM 121-9a | Half bearing | VI | - | |
| DS 121-10 | Nut | VI | 26 | |
| D 121-13 | Screw | | 25 | |
| DS 121-13 | Screw | | - | |
| DS 121-15 | Ring | | - | |
| DS 121-22 | Washer | | - | |
| DS 121-88 | Plug | VI | - | |

| NUMBER | DESCRIPTION | Section | Page No. | REMARKS |
|------------|-----------------------|---------|----------|---------|
| D 121-92a | Screw | | 25 | |
| DS 121-92 | Screw | | - | |
| D 121-98 | Dowel | VI | - | |
| DS 121-98 | Dowel | VI | - | |
| DS 121-99a | Washer | | - | |
| DM 123-0 | Camshaft | | 29 | |
| DM 123-0a | Camshaft | | - | |
| D 124-01 | Rocker assembly | | 10 | |
| DS 124-1 | Tappet | | 29 | |
| D 124-2 | Rocker arm | | 10 | |
| D 124-2a | Rocker arm | | - | |
| DS 124-2 | Rocker arm | | 6 | |
| DS 124-2a | Rocker arm | | - | |
| DS 124-3 | Guide | | - | |
| DS 124-3a | Guide | | - | |
| D 124-5 | Push-rod | | 29 | |
| DS 124-5d | Push-rod | | - | |
| DS 124-5e | Push-rod | | - | |
| D 124-6 | Rocker shaft | | 10 | |
| DS 124-6 | Rocker shaft | | 6 | |
| D 124-7 | Valve | | 10 | |
| DS 124-7 | Valve | | 6 | |
| D 124-8a | Valve | | 10 | |
| DS 124-8a | Valve | | 6 | |
| DS 124-9 | Spring | | - | |
| DS 124-11 | Cup | | - | |
| D 124-17 | Bracket | | 10 | |
| D 124-17a | Bracket | | - | |
| DS 124-17 | Bracket | | 6 | |
| DS 124-17a | Bracket | | - | |
| DS 124-20b | Rocker | | - | |
| DS 124-20c | Rocker | | - | |
| DS 124-21a | Rocker shaft | | - | |
| DS 124-22 | Bracket | | - | |
| DS 124-22a | Bracket | | - | |
| DS 124-23 | Bracket | | - | |
| DS 124-23a | Bracket | | - | |
| DS 124-25 | Spring | | - | |
| DS 124-26 | Cup | VI | - | |
| DS 124-27 | Cup | VI | - | |
| DS 124-78 | Cap | VI | - | |
| DS 124-80 | Spring | | - | |
| D 124-83 | Plate | VI | 10 | |
| D 124-85 | Washer | | 6-10 | |
| DS 124-85 | Washer | | - | |
| D 124-86 | Spacer | | 10 | |
| D 124-87 | Spacer | | - | |

| NUMBER | DESCRIPTION | Section | Page No. | REMARKS |
|------------|---------------------------|---------|----------|---------|
| D 124-88a | Stud | | 10 | |
| DS 124-95 | Cap | VI | 6 | |
| DS 124-97 | Washer | VI | - | |
| D 124-98 | Spring | | 10 | |
| DS 124-98 | Spring | | 6 | |
| D 124-99 | Spacer | VI | 10 | |
| DS 126-1 | Bumper | VI | 26 | |
| D 131-1 | Cover | | 2 | |
| DS 131-1a | Cover | | 5 | |
| DS 131-10 | Washer | | 26 | |
| DM 132-01 | Breather | | 2 | |
| DS 132-01 | Breather | | - | |
| DM 132-2 | Cylinder head cover | | 10 | |
| DM 132-2a | Cylinder head cover | | 6 | |
| DM 132-2b | Cylinder head cover | | - | |
| DS 132-2 | Cylinder head cover | | - | |
| DS 132-2a | Cylinder head cover | | - | |
| DS 132-2b | Cylinder head cover | | 9 | |
| DS 132-4 | Gasket | | - | |
| DS 132-4a | Gasket | | - | |
| D 132-9 | Gasket | VI | 2 | |
| D 132-9a | Gasket | VI | - | |
| D 132-9b | Gasket | VI | - | |
| D 132-9c | Gasket | VI | - | |
| D 132-9d | Gasket | VI | - | |
| DS 132-10 | Breather | VI | - | |
| DS 132-71a | Stud | | 9 | |
| DS 132-77 | Spacer | | - | |
| DS 132-81 | Plug | VI | - | |
| D 132-98 | Sump | | 2 | |
| DS 133-3 | Crossmember | | 30 | |
| DS 133-5 | Flexible block | | 33 | |
| DS 133-5a | Flexible block | | - | |
| DS 133-5b | Flexible block | | - | |
| D 133-6 | Flexible block | | 30 | |
| D 133-11a | Crossmember | | - | |
| DS 133-11 | Crossmember | | - | |
| D 133-12a | Arm | | - | |
| D 133-14 | Rubber bearing | | - | |
| D 133-50 | Half bush | | - | |
| D 133-57 | Spacer | | - | |
| D 133-58 | Packing piece | | - | |
| D 133-58a | Packing piece | | - | |
| D 133-59 | Half bush | | - | |
| DS 133-59 | Half bush | | - | |
| D 133-60a | Cap | | - | |
| DS 133-66 | Nut | | 33 | |

| NUMBER | DESCRIPTION | Section | Page No. | REMARKS |
|------------|----------------------|---------|----------|---------|
| D 133-71 | Cup | | 30 | |
| DS 133-74 | Bracket | | - | |
| DS 133-74a | Bracket | | 33 | |
| DS 133-74c | Bracket | | - | |
| DS 133-75 | Bracket | | 30 | |
| DS 133-75a | Bracket | | 33 | |
| DS 133-75c | Bracket | | - | |
| D 133-84 | Stop | | 30 | |
| D 133-90 | Bracket | | - | |
| DS 133-90 | Bracket | | 33 | |
| DS 133-90a | Bracket | | - | |
| D 133-91 | Bracket | | 30 | |
| DS 133-91 | Bracket | | 33 | |
| DS 133-91a | Bracket | | - | |
| D 133-92 | Spindle | | 30 | |
| DS 133-94 | Protection cap | | - | |
| DF 133-97 | Shield | VI | 33 | |
| D 133-102 | Bush | | 30 | |
| D 133-107 | Washer | | 30-33 | |
| D 133-113 | Cup | | 30 | |
| DM 133-116 | Bracket | | - | |
| D 133-117a | Housing | | - | |
| D 133-118 | Stop | | - | |
| D 133-135 | Washer | | - | |
| D 133-136 | Packing piece | | 30-33 | |
| DS 133-139 | Plate | | 33 | |
| DM 141-02 | Manifold | | 18 | |
| DM 141-10b | Housing | | 14 | |
| DM 141-11 | Gasket | VI | - | |
| DM 141-11b | Gasket | VI | - | |
| DF 141-13 | Housing | | - | |
| DM 141-13 | Housing | | - | |
| DS 141-13a | Housing | | 17 | |
| DM 141-78 | Spacer | | 14 | |
| DM 141-78a | Spacer | | - | |
| DS 141-88 | Tube | | 14-18 | |
| DM 141-95 | Plate | | 14 | |
| DM 141-97 | Gasket | VI | - | |
| DF 141-98 | Union | | 14-65 | |
| DM 141-98 | Union | | - | |
| DM 141-98a | Union | VI | - | |
| DS 141-99 | Tube | | 14-18 | |
| DS 141-99a | Tube | | 17 | |
| DM 142-1a | Pedal | | 34 | |
| DM 142-1c | Pedal | | 37 | |
| DS 142-1 | Pedal | | 38 | |
| DS 142-1a | Pedal | | - | |

| NUMBER | DESCRIPTION | Section | Page No. | REMARKS |
|-------------|--------------------|---------|----------|---------|
| DM 142-5a | Spring | | 34-37 | |
| DM 142-5b | Spring | | 37 | |
| DS 142-5a | Spring | | 38-41-42 | |
| DS 142-6a | Bearing | | 38 | |
| DS 142-7a | Lever | | - | |
| DM 142-10 | Bearing | | 41 | |
| DM 142-10a | Bearing | | 42 | |
| DM 142-11b | Pedal | | 37 | |
| DM 142-11c | Pedal | VI | 41 | |
| DM 142-11e | Pedal | VI | 42 | |
| DM 142-13 | Lever | | 41 | |
| DM 142-13a | Lever | VI | 42 | |
| DM 142-13b | Lever | | - | |
| DF 142-25 | Tube | | 14 | |
| DM 142-25 | Tube | | - | |
| DM 142-28 | Shield | | 14-18 | |
| DM 142-29a | Cable | VI | 34 | |
| DM 142-29b | Cable | VI | - | |
| DM 142-29c | Cable | VI | 37 | |
| DM 142-29d | Cable | VI | - | |
| DM 142-30b | Cable | VI | - | |
| DM 142-30c | Cable | VI | - | |
| DF 142-56 | Bracket | | 38-41-42 | |
| DM 142-65 | Washer | VI | 37 | |
| DM 142-65a | Plate | | 42 | |
| DS 142-65 | Plate | | 41 | |
| DM 142-70a | Housing | VI | 42 | |
| DS 142-80c | Rod | | 38-41-42 | |
| DM 142-82 | Spindle | | 34-37 | |
| DM 142-85 | Bush | VI | 37 | |
| DS 142-90 | Sleeve | | 38 | |
| DS 142-98c | Spacer | VI | 17 | |
| DF 142-99a | Relay | | 38-41-42 | |
| DM 142-102 | Washer | VI | 37 | |
| DS 142-109 | Ball pin | | 38-41-42 | |
| DS 142-112a | Nut | | - | |
| DM 142-116 | Washer | VI | 37 | |
| DS 142-116a | Washer | | 38-41-42 | |
| DS 142-118 | Bush | | - | |
| DM 142-121 | Bar | VI | 42 | |
| DM 142-136 | Panel | VI | 41 | |
| DM 142-137 | Bracket | | - | |
| DM 142-137a | Bracket | VI | 42 | |
| DM 142-145 | Panel | | - | |
| DM 142-154a | Sheath | VI | 34-37 | |
| DM 142-160a | Thrust block | | 34 | |
| DM 142-160c | Thrust block | | 37 | |

| NUMBER | DESCRIPTION | Section | Page No. | REMARKS |
|-------------|-----------------------|---------|----------|---------|
| DM 142-162a | Spring | | 34-37 | |
| DM 142-163c | Housing | VI | 34 | |
| DM 142-163d | Housing | | 37 | |
| DM 142-166a | Thrust sleeve | VI | 34-37 | |
| DM 142-168 | Thrust sleeve | VI | - | |
| DM 142-189 | Roller | VI | 37 | |
| DM 171-0a | Filter | VI | 18 | |
| DM 171-0g | Filter | VI | 21 | |
| DM 171-0i | Filter | VI | - | |
| DS 171-0a | Filter | VI | - | |
| DS 171-0b | Filter | VI | - | |
| DS 171-0c | Filter | | - | |
| DM 171-3 | Union | | - | |
| DM 171-3a | Union | | - | |
| DS 171-3a | Union | VI | - | |
| DM 171-4 | Elbow | VI | - | |
| DS 171-5 | Element | VI | 21-22 | |
| DS 171-5a | Element | VI | - | |
| DS 171-5b | Element | VI | 21 | |
| DS 171-5c | Element | VI | - | |
| DM 171-10 | Cup | VI | 21-22 | |
| DM 171-56a | Bracket | VI | 21 | |
| DS 171-60 | Collar | VI | - | |
| DM 171-61 | Rubber retainer | | 21-22 | |
| DM 171-62 | Liner | | - | |
| DM 171-63 | Packing | | - | |
| DM 171-65 | Bracket | | - | |
| DS 171-72 | Collar | | - | |
| D 171-91 | Bush | | - | |
| DM 171-96b | Bracket | | 22 | |
| DS 171-96 | Bracket | | 21 | |
| DM 173-0a | Pump | VI | 45 | |
| DM 173-0c | Pump | VI | - | |
| DS 173-2 | Unit | VI | - | |
| DM 173-8 | Diaphragm | VI | - | |
| DM 173-9 | Gasket | VI | - | |
| DS 173-9 | Gasket | VI | - | |
| D 174-3 | Tube | VI | - | |
| DS 174-7 | Hose | | - | |
| DS 174-67 | Shield | | - | |
| D 174-72 | Grommet | | - | |
| D 174-73 | Bracket | | - | |
| D 174-75 | Bush | | - | |
| D 174-76 | Clip | | - | |
| D 174-77 | Clip | | - | |
| D 174-80 | Bracket | | - | |
| D 174-81 | Hose | | - | |

| NUMBER | DESCRIPTION | Section | Page No. | REMARKS |
|------------|----------------|---------|----------|---------|
| DM 174-81 | Union | | 45 | |
| D 174-82 | Hose | | - | |
| D 175-03 | Cap | VI | - | |
| D 175-1 | Tank | VI | - | |
| D 175-2 | Cover | | 312 | |
| DS 175-2a | Cover | | 315 | |
| D 175-4a | Manifold | VI | 45 | |
| DM 175-5a | Rheostat | VI | - | |
| DS 175-5b | Rheostat | VI | - | |
| D 175-9a | Union | | - | |
| DM 175-13 | Filter | VI | 45-74 | |
| DS 175-14a | Plug | VI | 45 | |
| DS 175-16b | Cover | | 300-303 | |
| D 175-17 | Trim | VI | 45 | |
| D 175-18 | Stop | | - | |
| DM 175-53 | Packing | | - | |
| D 175-54 | Packing | | - | |
| D 175-60 | Packing | VI | - | |
| DS 175-63 | Clip | VI | - | |
| D 175-66 | Sleeve | | - | |
| D 175-67 | Strip | | - | |
| D 175-72 | Clip | | - | |
| DS 175-75 | Sleeve | | - | |
| D 175-80 | Washer | | - | |
| DS 175-81 | Cup | VI | - | |
| DS 175-84 | Tube | VI | - | |
| D 175-86 | Spring | | 312 | |
| DS 175-86a | Spring | | 315 | |
| DS 175-89 | Pin | | - | |
| DS 175-91 | Hinge | | - | |
| D 175-92 | Stop | | 312-315 | |
| DM 175-103 | Buckle | | 45 | |
| D 175-108 | Trim | | - | |
| DM 175-110 | Bracket | VI | - | |
| D 181-1 | Manifold | | 18 | |
| DS 181-1a | Manifold | | 14 | |
| DS 181-1b | Manifold | | - | |
| DS 181-2 | Gasket | VI | - | |
| DS 181-4b | Bracket | | - | |
| DS 181-4d | Bracket | | - | |
| DS 181-5b | Bracket | | - | |
| DS 181-5d | Bracket | | - | |
| DM 181-6 | Shield | | 18 | |
| DS 181-6a | Shield | | 14 | |
| DS 181-6c | Part | | - | |
| DS 181-6d | Part | | - | |
| DS 181-6e | Part | | - | |

| NUMBER | DESCRIPTION | Section | Page No. | REMARKS |
|------------|-------------------------|---------|----------|---------|
| DM 181-8 | Clip | | 18 | |
| DS 181-8 | Clip | | 14 | |
| DM 181-9a | Shield | | - | |
| DS 181-9 | Part | | - | |
| DM 181-10a | Bracket | | - | |
| DM 181-11a | Bracket | | 17 | |
| DS 181-14 | Part | | - | |
| DS 181-71 | Plug | VI | - | |
| DS 181-75 | Grommet | VI | - | |
| DS 181-77 | Clip | | - | |
| DM 181-87 | Panel | | 18 | |
| DS 181-87a | Panel | | 17 | |
| DS 181-87b | Panel | | - | |
| DM 182-1 | Pipe | | 49 | |
| DS 182-1b | Expansion chamber | | - | |
| DM 182-3b | Tube | VI | 50 | |
| DM 182-3c | Tube | VI | - | |
| DS 182-3 | Tube | VI | 53 | |
| DS 182-3a | Tube | VI | - | |
| DS 182-4 | Tube | VI | - | |
| D 182-6a | Half collar | | 49-53 | |
| DM 182-7 | Gasket | VI | 50 | |
| DM 182-7a | Gasket | VI | - | |
| DM 182-9b | Tube | | - | |
| DM 182-10 | Half collar | | - | |
| DS 182-51 | Tube | | 53 | |
| DS 182-54 | Tube | | 49 | |
| DS 182-54a | Tube | VI | 53 | |
| DS 182-62 | Spacer | | 49 | |
| DM 182-64 | Half collar | | 50 | |
| DS 182-68a | Bracket | | 49 | |
| DM 182-69 | Flange | | - | |
| DS 182-69 | Collar | | 53 | |
| DM 182-76 | Half collar | | 50 | |
| DS 182-76 | Half collar | | 53 | |
| DS 182-76a | Half collar | | - | |
| DS 182-78 | Collar | | - | |
| DS 182-79 | Collar | | 49 | |
| DS 182-79a | Collar | | 53 | |
| DS 182-80 | Strip | | 50-53 | |
| DM 182-81 | Bracket | | 50 | |
| D 182-84 | Clip | VI | 50-54 | |
| D 182-85 | Spacer | VI | - | |
| DS 182-87 | Thrust block | | - | |
| DS 182-91 | Screw | | 49-53 | |
| DM 182-101 | Clip | | 50-53 | |
| DS 182-101 | Clip | | 53 | |

| NUMBER | DESCRIPTION | Section | Page No. | REMARKS |
|------------|----------------------------|---------|------------|---------|
| DS 182-116 | Clip | | 53 | |
| DM 183-0 | Silencer | | 49 | |
| DS 183-0c | Silencer | | 53 | |
| DS 183-45 | Bracket | | - | |
| DS 183-45a | Bracket | | - | |
| DS 183-61 | Shield | | - | |
| DS 183-62 | Shield | | - | |
| D 183-69 | Plate | VI | 49 | |
| D 183-70 | Clamp | | - | |
| DS 183-70 | Clamp | | - | |
| DS 183-70a | Clamp | | 53 | |
| DS 183-70b | Clamp | | - | |
| D 183-71 | Spring | | 49 | |
| DS 183-71 | Spring | | - | |
| DS 183-71a | Spring | | 53 | |
| DS 183-71b | Spring | | - | |
| DS 183-71c | Spring | | - | |
| D 183-72 | Packing | | 49 | |
| DS 183-72 | Packing | | 49-53 | |
| DS 183-72a | Packing | | 53 | |
| DS 183-83 | Washer | VI | - | |
| D 183-93 | Plate | | 49 | |
| DS 183-93 | Plate | | 53 | |
| DF 211-05 | Distributor | VI | 54-58 | |
| DF 211-05a | Distributor | VI | - | |
| DS 211-05b | Distributor | VI | 58 | |
| DS 211-05c | Distributor | VI | - | |
| DM 211-1 | Control | VI | 54-209-213 | |
| DM 211-1a | Control | VI | 54-221 | |
| DM 211-8 | Condenser | VI | 54-58 | |
| DS 211-10 | Spring | | 54 | |
| DW 211-10 | Spring | VI | 58 | |
| DF 211-14 | Tube | VI | 54-58 | |
| DM 211-14 | Tube | VI | 54 | |
| DM 211-14a | Tube | VI | - | |
| DM 211-15 | Head | VI | 54-58 | |
| DM 211-15a | Head | VI | - | |
| DM 211-16 | Rotor | VI | - | |
| DM 211-16a | Rotor | VI | - | |
| DM 211-17 | Contact breaker | VI | - | |
| DM 211-17a | Arm with contact point ... | VI | - | |
| DS 211-17b | Contact breaker | VI | 58 | |
| DF 211-18 | Suction unit | VI | 54-58 | |
| DF 211-18a | Suction unit | VI | - | |
| DM 211-18 | Suction unit | VI | 54 | |
| DW 211-48 | Trunnion | VI | 58 | |
| DW 211-49 | Trunnion | VI | - | |

| NUMBER | DESCRIPTION | Section | Page No. | REMARKS |
|------------|---------------------|---------|-------------------|---------|
| DM 211-54 | Union | | 54 | |
| DM 211-55 | Union | | 54-58 | |
| D 211-56 | Bush | | 209-213-221 | |
| DM 211-60 | Lever | | 54 | |
| DW 211-60 | Lever | VI | 58 | |
| DS 211-62 | Bracket | | 54 | |
| DW 211-62 | Bracket | VI | 58 | |
| D 212-01 | Coil | VI | 54 | |
| DM 212-08b | Coil | VI | - | |
| DM 212-08c | Coil | VI | - | |
| DM 212-5b | Cable | | - | |
| DM 212-5c | Cable | | - | |
| DS 212-5a | Cable | | - | |
| DS 212-5h | Cable | VI | 58 | |
| DM 212-6b | Cable | | 54 | |
| DM 212-6c | Cable | | - | |
| DS 212-6a | Cable | | - | |
| DS 212-6h | Cable | VI | 58 | |
| DF 212-7a | Sparking plug | VI | - | |
| DS 212-7 | Sparking plug | VI | 54 | |
| DS 212-7b | Sparking plug | VI | - | |
| DS 212-7d | Sparking plug | VI | 58 | |
| DS 212-7e | Sparking plug | VI | - | |
| DM 212-9c | Cable | | 54 | |
| DM 212-9d | Cable | | - | |
| DS 212-9 | Cable | | - | |
| DS 212-9e | Cable | VI | 58 | |
| DM 212-12b | Cable | | 54 | |
| DM 212-12c | Cable | | - | |
| DS 212-12a | Cable | | - | |
| DS 212-12h | Cable | VI | 58 | |
| DM 212-13b | Cable | | 54 | |
| DM 212-13c | Cable | | - | |
| DS 212-13a | Cable | | - | |
| DS 212-13h | Cable | VI | 58 | |
| DM 212-14a | Switch | VI | 54-58-209-213-221 | |
| DM 212-16 | Switch | | 57 | |
| DS 212-22a | End piece | VI | - | |
| DF 212-52 | Plate | | 57-58 | |
| DS 212-55 | End piece | VI | 57 | |
| DS 212-70 | Sheath | VI | - | |
| DS 212-70a | Sheath | VI | - | |
| DS 212-70b | Sheath | VI | 58 | |
| DS 212-70c | Sheath | VI | - | |
| DS 212-71 | Plug | VI | 57 | |
| DS 212-71a | End piece | VI | 58 | |
| DS 212-72 | Rod | VI | 57 | |

| NUMBER | DESCRIPTION | Section | Page No. | REMARKS |
|-------------|------------------|---------|----------|---------|
| DS 212-72a | Rod | VI | 57 | |
| DS 212-72b | Rod | VI | 58 | |
| DS 212-72e | Rod | VI | - | |
| DS 212-72f | Rod | VI | - | |
| D 212-73 | Support | | 57 | |
| DS 212-73a | Support | | 57-58 | |
| DS 212-73d | Support | | 58 | |
| DS 212-77 | Sheath | VI | 57 | |
| DS 212-77a | Sheath | VI | 58 | |
| DS 212-79 | Sheath | VI | - | |
| DS 212-83 | Screw | VI | - | |
| DS 212-113 | Plug | VI | 9-57 | |
| DS 212-113a | Plug | VI | 58 | |
| DS 212-115a | Plug | | 57-58 | |
| DS 212-116 | Cap | | 57 | |
| DS 212-117 | Washer | | - | |
| DS 221-1 | Filler | | 9 | |
| DS 221-83 | Filter | VI | - | |
| DS 221-92 | Gasket | VI | - | |
| DS 221-96 | Guide | VI | 2 | |
| D 222-01 | Oil pump | | 62 | |
| D 222-3 | Piping | | - | |
| D 222-4 | Pump body | | - | |
| DS 222-5 | Spring | | - | |
| DS 222-11 | Base | | - | |
| DS 222-12a | Pinion | VI | - | |
| D 224-1 | Pipe | | - | |
| DM 224-1 | Pipe | | - | |
| DF 231-04 | Water pump | | 65 | |
| DM 231-04d | Water pump | | - | |
| DM 231-04e | Water pump | | - | |
| DF 231-1 | Body | | - | |
| DM 231-1b | Body | | - | |
| DM 231-1c | Body | | - | |
| DF 231-3 | Shaft | | - | |
| DM 231-4 | Pulley | | - | |
| DM 231-4a | Pulley | | - | |
| DF 231-5 | Pulley | | 29 | |
| DM 231-5 | Pulley | | - | |
| DM 231-6 | Belt | VI | - | |
| DS 231-6 | Belt | VI | - | |
| D 231-8a | Shaft | | - | |
| DM 231-8 | Shaft | | - | |
| DS 231-8 | Shaft | | - | |
| DM 231-9 | Cover | | 65 | |
| DS 231-61 | Screw | | 29 | |
| DS 231-65 | Cover | | 29-65 | |

| NUMBER | DESCRIPTION | Section | Page No. | REMARKS |
|------------|-----------------|---------|----------|---------|
| D 231-76 | Key | VI | 29 | |
| D 231-87 | Gasket | VI | 65 | |
| D 231-88 | Gasket | VI | - | |
| D 231-91 | Washer | | 29-65 | |
| DM 231-91 | Washer | | 29 | |
| DS 231-92 | Washer | | 65 | |
| DS 231-92a | Washer | | - | |
| DS 231-92b | Washer | | - | |
| DS 231-92c | Washer | | - | |
| D 231-93 | Washer | | 29 | |
| D 231-93a | Washer | | - | |
| DS 231-100 | Gasket | VI | 74 | |
| D 232-03 | Cap | VI | 69-70 | |
| DM 232-8a | Blind | VI | 69 | |
| DM 232-9a | Control | VI | - | |
| DM 232-50 | Shield | | - | |
| DM 232-64 | Protector | VI | - | |
| DM 232-65 | Plate | VI | - | |
| DM 232-66 | Bracket | | - | |
| DS 232-75 | Bracket | VI | - | |
| DM 232-78a | Stay | | - | |
| DM 232-78b | Stay | | 70 | |
| DS 232-78a | Stay | | 69 | |
| D 232-82 | Packing | | 69-70 | |
| D 232-82a | Packing | | - | |
| D 232-96 | Plate | | - | |
| D 234-01 | Regulator | VI | 65-69-70 | |
| DS 234-01 | Regulator | VI | 65-69 | |
| DM 235-1c | Pipe | | 69-70 | |
| D 235-3 | Union | | - | |
| D 235-4 | Tube | | - | |
| DS 235-10 | Union | | - | |
| DM 235-10a | Union | | 69 | |
| DM 235-11 | Union | | - | |
| DM 235-11a | Union | | 69-70 | |
| D 241-1a | Fan | | 65 | |
| DM 241-1 | Fan | | - | |
| D 241-93 | Screw | VI | - | |
| DS 241-93 | Screw | VI | - | |
| DS 242-1 | Cowl | VI | 69-70 | |
| DM 242-2a | Deflector | | 69 | |
| DS 242-45 | Body | | 70 | |
| DS 242-46 | Control | VI | - | |
| DS 242-47 | Baffle | | - | |
| DS 242-49a | Frame | | - | |
| DS 242-50 | Body | | - | |
| DS 242-51 | Band | | - | |

| NUMBER | DESCRIPTION | Section | Page No. | REMARKS |
|------------|----------------------|---------|-------------------------|---------|
| DS 242-55a | Gasket | VI | 70 | |
| DS 242-87 | Clip | VI | - | |
| DS 242-90 | Grille | | - | |
| DS 242-107 | Screw | VI | - | |
| DS 242-108 | Protector | VI | - | |
| DS 242-109 | Bracket | VI | - | |
| DS 242-110 | Housing | VI | - | |
| D 251-01a | Bearing cap | | 74 | |
| D 251-1 | Handle | | 289 | |
| DS 251-2 | Spindle | | 74-289 | |
| DS 251-2a | Spindle | | - | |
| D 251-4c | Extension | | 289 | |
| DS 251-4e | Extension | | - | |
| DS 251-75 | Blanking plate | VI | 70-296 | |
| DS 251-101 | Bracket | | 289 | |
| D 312-0 | Mechanism | VI | 73 | |
| D 312-1 | Carrier plate | VI | - | |
| D 312-2 | Spring | VI | - | |
| D 312-2a | Spring | VI | - | |
| D 312-99 | Cup | VI | - | |
| DW 313-01 | Disc | VI | - | |
| DS 314-01 | Bracket | | - | |
| DM 314-016 | Pedal gear | | 181 | |
| DM 314-2a | Cable | VI | 170 | |
| DM 314-2e | Cable | VI | 173 | |
| DM 314-3 | Pedal | | 170 | |
| DM 314-3a | Pedal | | 173 | |
| DS 314-4 | Fork | | 73 | |
| DS 314-4a | Fork | | - | |
| D 314-6 | Spring | VI | - | |
| D 314-9 | Spring | VI | - | |
| D 314-16 | Spindle | | - | |
| DS 314-16 | Spindle | | - | |
| D 314-17 | Nut | | 170-173-177- 178-181 | |
| DM 314-21 | Rod | | 170-173-177- 178-181 | |
| DM 314-21a | Rod | VI | 170-181 | |
| DS 314-22 | Plate | | 74 | |
| DM 314-25 | Bracket | | 178 | |
| DS 314-28a | Screw | | 73 | |
| D 314-29 | Sealing ring | VI | 82-90 | |
| D 314-32 | Gasket | VI | 73 | |
| DM 314-33 | Lever | | 170-173 | |
| DM 314-34 | Spindle | | 170 | |
| DF 314-36 | Lever | | 178 | |
| DF 314-36b | Lever | | - | |
| DM 314-36 | Lever | | 177 | |
| DM 314-36a | Lever | | 178-181 | |

| NUMBER | DESCRIPTION | Section | Page No. | REMARKS |
|------------|------------------|---------|-------------|---------|
| DM 314-36c | Lever | | 181 | |
| DM 314-37 | Spindle | | 177 | |
| DM 314-37a | Spindle | | 178 | |
| DM 314-38 | Pedal gear | | 177 | |
| DM 314-38a | Pedal | | 178 | |
| DM 314-38b | Pedal | | 181 | |
| DM 314-39a | Cable | VI | 177 | |
| DM 314-39b | Cable | VI | 178 | |
| DM 314-39c | Cable | VI | - | |
| DM 314-39d | Cable | VI | 181 | |
| DM 314-39f | Cable | VI | - | |
| DF 314-40 | Bracket | | 178 | |
| DF 314-40a | Bracket | | - | |
| DM 314-40 | Bracket | VI | 181 | |
| DM 314-48 | Bracket | | - | |
| DM 314-51a | Spring | VI | 177 | |
| DM 314-51b | Spring | | 173 | |
| DM 314-51d | Spring | VI | 181 | |
| DM 314-53 | Bush | VI | 177-178 | |
| DM 314-74 | Strap | | 161 | |
| D 314-76 | Guide | | 73 | |
| D 314-77 | Spring | | - | |
| D 314-82 | Nut | | 65 | |
| DM 314-83a | Lever | | 173 | |
| DM 314-83b | Lever | | 181 | |
| DM 314-86 | Sheath | | 170 | |
| DM 314-86a | Sheath | | - | |
| DM 314-88 | Washer | | 170-173 | |
| DM 314-88a | Washer | | 181 | |
| DM 314-90a | Clip | | 178 | |
| DF 314-92a | Cable | VI | - | |
| DM 314-95a | Bush | | 170-173-177 | |
| DM 314-95b | Bush | | 181 | |
| DS 314-95 | Bush | | 194 | |
| D 314-99a | Hub | | 73 | |
| DF 314-99 | Hub | | - | |
| DM 314-109 | Spacer | | 173-181 | |
| D 314-140 | Cup | | 65 | |
| DM 314-177 | Screw | | 173-178-181 | |
| DF 314-178 | Spindle | | 173-181 | |
| DF 314-179 | Clip | | 173 | |
| DF 314-180 | Trim | | - | |
| DS 314-195 | Tube | | 182 | |
| DM 331-0 | Cover | | 74 | |
| DM 331-0c | Cover | | - | |
| DW 331-0a | Cover | | - | |
| DM 331-03 | Cover | | - | |

| NUMBER | DESCRIPTION | Section | Page No. | REMARKS |
|------------|------------------|---------|----------|---------|
| DM 331-03c | Cover | | 74 | |
| DW 331-03a | Cover | | - | |
| DM 331-04 | Breather | | - | |
| DF 331-1d | Housing | | - | |
| DF 331-1e | Housing | | - | |
| DM 331-1 | Housing | | - | |
| DM 331-1a | Housing | | - | |
| DM 331-1b | Housing | | - | |
| DM 331-1d | Housing | | - | |
| DM 331-1e | Housing | | 77 | |
| D 331-2a | Gasket | VI | - | |
| D 331-3a | Cap | | - | |
| D 331-3b | Cap | | - | |
| DS 331-3 | Cap | | - | |
| D 331-6a | Plug | VI | - | |
| D 331-7 | Gasket | VI | - | |
| DM 331-11a | Cover | | - | |
| DM 331-11c | Cover | | - | |
| DM 331-11d | Cover | | - | |
| DW 331-11 | Cover | | - | |
| DW 331-11a | Cover | | - | |
| DM 331-12 | Plug | | 81 | |
| D 331-13a | Cap | | 77 | |
| D 331-13b | Cap | | - | |
| D 331-63 | Nut | VI | - | |
| D 331-77 | Washer | | - | |
| D 331-79 | Gasket | VI | 106 | |
| D 331-81 | Screw | | 77 | |
| DM 331-82 | Vent | VI | - | |
| D 331-87 | Stud | | 30-77 | |
| D 331-88 | Gasket | VI | 77 | |
| D 331-89a | Housing | | 82 | |
| D 331-90 | Gasket | VI | 77 | |
| D 331-91a | Housing | | 82 | |
| DM 332-01 | Shaft | | - | |
| DM 332-01a | Shaft | | 82-90 | |
| DM 332-01b | Shaft | | 90 | |
| D 332-2 | Spindle | | 82 | |
| DM 332-2 | Spindle | | 82-90 | |
| D 332-4 | Nut | | - | |
| DS 332-4 | Nut | | 90 | |
| D 332-84 | Tab washer | | 82-90 | |
| DS 332-91 | Spacer | | - | |
| D 332-94 | Screw | | - | |
| D 332-95 | to | | - | |
| D 332-95d | Washer | | - | |

| NUMBER | DESCRIPTION | Section | Page No. | REMARKS |
|------------|----------------------|---------|----------|---------|
| DS 332-98 | Dowel | VI | 82-90 | |
| D 332-300 | to Washer | | - | |
| D 332-330 | | | | |
| D 333-7a | Pinion | | 82 | |
| DS 333-7a | Pinion | | - | |
| DM 333-8 | Pinion | | - | |
| DM 333-8a | Pinion | | - | |
| DM 333-8b | Pinion | | 85-90 | |
| D 333-9 | Pinion | | 85 | |
| DM 333-9 | Pinion | | - | |
| DW 333-9 | Sliding gear | | 90 | |
| D 333-12 | Pinion | | 85-90 | |
| D 333-13 | Pinion | | 85 | |
| DW 333-13 | Pinion | | 90 | |
| DM 333-14 | Pinion | | 85 | |
| DM 333-14a | Pinion | | 85-90 | |
| D 333-15 | Pinion | | 85 | |
| DM 333-15 | Pinion | | - | |
| DS 333-15 | Pinion | | - | |
| DW 333-15 | Pinion | | 90 | |
| D 333-16 | Gear train | | 85 | |
| DS 333-16 | Gear train | | - | |
| DW 333-16 | Gear train | | 90 | |
| DM 333-17 | Pinion | | 85 | |
| DM 333-17a | Pinion | | 85-90 | |
| DM 333-18 | Pinion | | 85 | |
| DM 333-18a | Pinion | | 85-90 | |
| D 333-73 | Spacer | VI | 85 | |
| DM 333-73 | Spacer | VI | 85-90 | |
| DS 333-73 | Spacer | VI | 85 | |
| D 333-74 | to Washer | | - | |
| D 333-74d | | | | |
| DM 333-74 | to Washer | VI | 85-90-93 | |
| DM 333-74q | | | | |
| DM 333-80 | to Washer | | 85-93 | |
| DM 333-80e | | | | |
| D 333-81 | Pin | | 85 | |
| D 333-83 | to Half washer | | 85-93 | |
| D 333-83e | | | | |
| D 333-84 | Washer | | - | |
| DF 333-97 | Spacer | | 86 | |

| NUMBER | DESCRIPTION | Section | Page No. | REMARKS |
|------------|---------------------|---------|----------|---------|
| D 333-300 | to Washer | | 86-93 | |
| D 333-350 | | | | |
| D 334-2 | Knob | VI | 359 | |
| DM 334-2a | Knob | VI | 98-102 | |
| DS 334-2 | Knob | VI | 360 | |
| DM 334-3 | Lever | | 98 | |
| DM 334-3a | Lever | | 98-102 | |
| DM 334-4a | Shaft | | 98 | |
| DM 334-4b | Shaft | | - | |
| DM 334-11 | Spring | | 81 | |
| D 334-13 | Lock | | - | |
| D 334-19 | Fork | | - | |
| D 334-47 | Carrier | | - | |
| DM 334-53 | Lever | | - | |
| DM 334-53a | Lever | | - | |
| DM 334-56 | Spring | | - | |
| DM 334-58 | Nut | | 81-102 | |
| D 334-62 | Dust plug | | 122-126 | |
| DM 334-63a | Ball | | 98-102 | |
| DM 334-64 | Bush | | - | |
| DM 334-66 | Guide | | 98 | |
| DM 334-70 | Circlip | | 81 | |
| DM 334-71 | Rod | | 98 | |
| DM 334-71a | Rod | | - | |
| DM 334-73 | Bush | | 98-102 | |
| DM 334-75 | Spindle | | - | |
| DM 334-75a | Spindle | VI | 98 | |
| DM 334-76 | End piece | | - | |
| DM 334-79 | Cable | VI | - | |
| DM 334-83 | Spindle | | - | |
| DM 334-83a | Spindle | | 98-102 | |
| DM 334-83b | Spindle | VI | 98 | |
| D 334-85 | Spindle | | 81 | |
| DM 334-87a | Ball | | 98-102 | |
| DM 334-88 | Screw | | 81 | |
| DM 334-90 | Bush | VI | 98 | |
| DM 334-92a | Lever | | - | |
| DS 334-93 | Tube | | 190 | |
| DM 334-95 | Spindle | | - | |
| DM 334-95a | Spindle | | 98-102 | |
| DM 334-96 | Half bearing | VI | - | |
| D 334-98 | Lever | | 81 | |
| DM 334-98 | Washer | VI | 98-102 | |
| DM 334-102 | Tube | | 98 | |
| DW 334-105 | Locking shaft | | 81 | |
| DM 334-108 | Tube | | - | |

| NUMBER | DESCRIPTION | Section | Page No. | REMARKS |
|-------------|---------------------|---------|----------------|---------|
| DM 334-115 | Gasket | | 98-102 | |
| DM 334-116 | Spacer | | 81 | |
| DM 334-117 | Spacer | | - | |
| DM 334-122a | Bush | | 98-102 | |
| DM 334-124a | Bush | VI | 98 | |
| DM 334-124b | Bush | VI | 102 | |
| DM 334-125 | Bracket | | 98 | |
| DM 334-125a | Bracket | | - | |
| DM 334-125b | Bracket | | - | |
| DM 334-125c | Bracket | | - | |
| DM 334-125d | Bracket | | - | |
| DM 334-126 | Housing | | - | |
| DM 334-128 | Flange | | 98-102 | |
| DM 334-133 | Strap | | - | |
| DM 334-135 | Shaft | | 102 | |
| DM 334-135a | Shaft | | - | |
| DM 334-145 | Backplate | VI | - | |
| DM 334-156b | Bracket | | - | |
| DM 334-156e | Bracket | | - | |
| DM 334-156f | Bracket | | - | |
| DS 334-181 | Gasket | VI | 98-102-150-153 | |
| DM 334-184 | Cable..... | VI | 102 | |
| DM 334-184b | Cable | VI | - | |
| DM 334-190 | End piece | | 98-102 | |
| DM 334-191a | Rod | | 102 | |
| DM 334-191b | Rod | VI | - | |
| DM 334-199a | Tube | | - | |
| DM 334-199b | Tube | | - | |
| DM 334-201a | Lever | | - | |
| DM 334-201b | Lever | | - | |
| DM 334-249 | Circlip | VI | 81 | |
| DM 334-250 | Washer | | - | |
| DW 334-250 | Washer | | - | |
| DM 334-251 | Screw | | - | |
| DM 334-252 | Screw | | - | |
| DM 334-256 | Pin | | 98-102 | |
| DM 334-257 | Circlip | | - | |
| DM 334-258 | Half washer | VI | 101-105 | |
| DM 334-259 | Screw | | 81 | |
| DM 334-260 | Shaft | | - | |
| DM 334-260a | Shaft | | - | |
| DW 334-260 | Shaft | | - | |
| DM 334-261 | Shaft | | - | |
| DM 334-262 | Shaft | | - | |
| DM 334-262a | Shaft | | - | |
| DM 334-266 | Tube | | - | |
| DM 334-267 | Locking shaft | | - | |

| NUMBER | DESCRIPTION | Section | Page No. | REMARKS |
|-------------|------------------------|---------|----------|---------|
| DW 334-267 | Locking shaft..... | | 81 | |
| DS 334-279 | Gasket | VI | 154 | |
| DM 334-300 | to | | | |
| | Washer | | 81 | |
| DM 334-308 | | | | |
| DM 334-317 | Guide | | 105 | |
| DM 334-321 | Bracket | | - | |
| DM 334-322a | Trim | VI | - | |
| DM 335-05a | Synchromesh..... | | 86-93 | |
| DW 335-09 | Synchromesh..... | | 93 | |
| D 335-8 | Collar | | 86 | |
| DM 335-8 | Collar | | 93 | |
| D 335-9a | Sliding gear..... | | 86 | |
| DM 335-15a | Rods | | - | |
| DM 335-15b | Rods | | 93 | |
| DM 335-16 | Synchromesh ring | | 86 | |
| DM 335-16a | Bush | | 86-93 | |
| DW 335-18 | Dog | | 93 | |
| DM 335-70a | Ball carrier | | 86 | |
| DM 335-70b | Ball carrier | | - | |
| DM 335-70c | Ball carrier | | - | |
| DM 335-70d | Ball carrier | | - | |
| DM 335-70e | Ball carrier | | - | |
| DM 335-70f | Ball carrier | | - | |
| D 335-73 | Spring..... | | - | |
| D 335-82 | to | | | |
| | Washer..... | | - | |
| D 335-82h | | | | |
| DW 335-88 | Circlip | | 93 | |
| DW 335-88a | Circlip | | - | |
| DS 343-1 | Housing | | 97 | |
| DS 343-1a | Housing | | - | |
| DS 343-1b | Housing | | - | |
| DS 343-2 | Planet gear | | - | |
| D 343-3 | Satellite | | - | |
| D 343-5 | Screw | | - | |
| DS 343-5 | Screw | | - | |
| D 343-6 | Screw | | - | |
| DS 343-6 | Screw | | - | |
| DS 343-7a | to | | | |
| | Washer | VI | - | |
| DS 343-7g | | | | |
| D 343-8 | Washer | | - | |
| D 343-8a | Washer | | - | |
| D 343-8b | Washer | | - | |

| NUMBER | DESCRIPTION | Section | Page No. | REMARKS |
|-----------------------------|---------------------------|---------|----------|---------|
| DS 343-8c to | Washer | | 97 | |
| DS 343-81 D 343-9 | Crosshead | | - | |
| D 343-97 to | Washer | | - | |
| D 343-97g D 343-98 to | Washer | | - | |
| D 343-98g | | | | |
| DS 344-01 | Crown wheel and pinion .. | | 86-97 | |
| DW 344-01 | Crown wheel and pinion .. | | 93-97 | |
| DF 344-02 | Crown wheel and pinion .. | | 86-97 | |
| D 344-5 | Nut | | 86 | |
| DS 344-5 | Nut | | 86-94 | |
| D 344-90 | Ring | | - | |
| D 344-94 | Tab washer | | 86 | |
| D 344-96 | Ring | | 86-94 | |
| D 371-1 | Shaft | | 106 | |
| D 371-1a | Shaft | | - | |
| DS 371-1 | Shaft | | - | |
| DS 371-1a | Shaft | | - | |
| D 371-3 | Housing | | - | |
| D 371-3a | Housing | | - | |
| D 371-5 | Bush | VI | - | |
| D 371-92 | Bush | | - | |
| D 371-93 | Bush | | - | |
| D 371-95 | Screw | | - | |
| D 371-96 | Nut | | - | |
| D 371-99 | Washer | VI | - | |
| D 372-88 | Sheath | | - | |
| D 372-89 | Screw | | 109 | |
| D 373-01b | Transmission | | 106 | |
| D 373-01c | Transmission | | - | |
| D 373-81 | Shield | | - | |
| D 373-82 | Shield | | - | |
| D 373-83 | Shield | | - | |
| D 373-84 | Shield | | - | |
| D 373-91 | Half cup | | - | |
| DS 373-94 | Gasket | VI | - | |
| D 373-99 | Sheath | | - | |
| D 376-1 | Drive | | - | |
| D 376-2 | Block | | - | |
| DS 376-3 | Flange | | - | |
| D 376-4 | Flange | | - | |
| DS 376-4 | Flange | | - | |
| DS 376-6 | Drive | | - | |

| NUMBER | DESCRIPTION | Section | Page No. | REMARKS |
|------------|--------------------------|---------|----------|---------|
| DS 376-70 | Screw | | 106 | |
| D 376-95 | Bush | | - | |
| D 376-96 | Ring | | - | |
| D 376-97 | Support | | - | |
| D 376-98 | Washer | | - | |
| D 381-1 | Pinion | | 77 | |
| DF 381-1 | Pinion | | - | |
| D 381-2 | Socket | | - | |
| D 381-2a | Socket | | - | |
| DF 391-01 | Pump | | 161 | |
| DM 391-01c | Pump | | 154 | |
| DM 391-02 | Sleeve | | - | |
| DM 391-02a | Sleeve | | - | |
| DS 391-02 | Sleeve | | 161 | |
| DM 391-03c | Pressure regulator | | 154 | |
| DS 391-03b | Pressure regulator | | - | |
| DS 391-07b | Shaft | | 161 | |
| D 391-3a | Spring | | - | |
| DM 391-4 | Spring | | 154 | |
| DS 391-4 | Spring | | 161 | |
| D 391-5 | Valve | | - | |
| DM 391-5 | Valve | | 154 | |
| D 391-10 | Spring | | - | |
| DM 391-11 | Cap | | - | |
| DM 391-11a | Cap | | - | |
| DF 391-13 | Pulley | | 161 | |
| DM 391-15 | Body | | 154 | |
| DM 391-15a | Body | | - | |
| DS 391-15b | Body | | 161 | |
| DS 391-16e | Housing | | - | |
| DF 391-18 | Belt | VI | - | |
| D 391-20 | Cover | | - | |
| DM 391-22 | Bracket | | 154 | |
| DM 391-25 | Piping | | 186-190 | |
| DF 391-48a | Union | | 190 | |
| DM 391-48 | Union | VI | - | |
| DS 391-48a | Union | | 194 | |
| DS 391-48b | Union | VI | - | |
| DS 391-48c | Union | VI | - | |
| DM 391-51 | Bracket | | 154 | |
| D 391-53 | Cup | | 161 | |
| DM 391-53 | Pin | | 154 | |
| D 391-54 | Deflector | | 161 | |
| D 391-55 | Spring | | - | |
| DS 391-56 | Bush | | - | |
| DM 391-57 | Union | | 154 | |
| DM 391-58 | Nut | | - | |

| NUMBER | DESCRIPTION | Section | Page No. | REMARKS |
|------------------|---------------------|---------|-------------|---------|
| DM 391-58a | Nut | | 154 | |
| D 391-59 | Washer | | - | |
| D 391-59a | Washer | | - | |
| D 391-60 | Plug | VI | 189 | |
| DM 391-60 | Tube | VI | 154 | |
| DM 391-61b | Cap | | - | |
| DM 391-62 | Valve seat | | - | |
| D 391-63 | Plug | | 189 | |
| DM 391-64 | Roller | | 154 | |
| DM 391-65a | Push-rod | | - | |
| D 391-67 | Gasket | | 161 | |
| DS 391-71 | Block | | 190-194 | |
| D 391-76 | Nut | VI | 161 | |
| D 391-77 | Tab washer | | - | |
| DM 391-77 | Gasket | VI | 154 | |
| D 391-78 | Shim | | - | |
| D 391-78a | Shim | | - | |
| D 391-78b | Shim | | - | |
| DS 391-80 | Ball retainer | | - | |
| D 391-81 | Cup | | - | |
| D 391-82 | Ball | | 161 | |
| D 391-83 | Finger | | - | |
| DF 391-84 | Tube | | 194 | |
| DM 391-84 | Tube | | 186 | |
| DM 391-84a | Tube | | - | |
| DM 391-84b | Tube | | 186-190 | |
| DS 391-86 | Clip | | 161 | |
| DM 391-87 | Gasket | VI | 154 | |
| D 391-88 | Plug | | 189 | |
| DS 391-88 | Plate | | 161 | |
| D 391-90a | Spacer | | - | |
| DM 391-90a to | Spacer | | 154 | |
| DM 391-90g | | | | |
| DF 391-92 | Tube | | 182 | |
| D 391-93 | Gasket | | 154 | |
| DS 391-94 | Collar | | - | |
| DM 391-96 | Screw | | - | |
| D 391-98 | Cup | | 161 | |
| DM 391-98 | Cup | | 154 | |
| DM 391-98a | Cup | | - | |
| DS 391-98 | Cup | | 161 | |
| D 391-99 | Circlip | | 157-161-185 | |
| D 391-100 | Tube | | 186 | |
| DF 391-100 | Tube | | 194 | |
| DM 391-100 | Tube | | 190 | |
| DM 391-100a | Tube | | 190-194 | |

| NUMBER | DESCRIPTION | Section | Page No. | REMARKS |
|-----------------|-------------------|---------|-------------|---------|
| DF 391-102 | Tube | | 186-194 | |
| DM 391-102a | Tube | | 190 | |
| DS 391-104 | Sleeve | | 186-190 | |
| D 391-105 | Bush | | 186-190-194 | |
| D 391-108 | Bush | | - | |
| D 391-109 | Sleeve | | 186-190 | |
| DM 391-112 | Union | | - | |
| D 391-113 | Bush | | - | |
| D 391-116 | Sheath | | 190 | |
| DF 391-122 | Tube | | 190-194 | |
| DM 391-122 | Tube | | 186 | |
| DM 391-122a | Tube | | 190-194 | |
| D 391-125 | Collar | | 201 | |
| DM 391-126 | Tube | | 186-190 | |
| DS 391-126 | Tube | | 186-194 | |
| D 391-127 | Sheath | | - | |
| D 391-128 | Sheath | | 186-190 | |
| D 391-129 | Sheath | | - | |
| DS 391-131a | Screw | | 161 | |
| DS 391-132a | Screw | | - | |
| DS 391-133a | Nut | | - | |
| DF 391-136 | Sleeve | | 190 | |
| DS 391-136 | Sleeve | | 186 | |
| DS 391-140 | Collar | | 186-190 | |
| DS 391-141 | Collar | | - | |
| DS 391-144 | Piping | VI | 186-190-201 | |
| DS 391-145 | Piping | VI | 186-190 | |
| DM 391-153 | Shim | | 157 | |
| DM 391-154 | Shim | | - | |
| DM 391-155 | Shim | | - | |
| DM 391-156 | Shim | | - | |
| DS 391-161 | Bush | | - | |
| D 391-512 to | Rod | | 161 | |
| D 391-529 | | | | |
| D 392-01 | Accumulator | | 157 | |
| DM 392-01 | Accumulator | | - | |
| D 392-90 | Sleeve | | 186-190-194 | |
| DM 393-02 | Reservoir | | 157 | |
| DM 393-02a | Reservoir | | - | |
| DM 393-02c | Reservoir | | - | |
| DM 393-02h | Reservoir | | - | |
| DM 393-03 | Block | | - | |
| D 393-2 | Tube | VI | - | |
| DS 393-3 | Filter | VI | - | |
| DS 393-4 | Filter | | - | |
| DS 393-22 | Tube | VI | - | |

| NUMBER | DESCRIPTION | Section | Page No. | REMARKS |
|------------|----------------|---------|----------|---------|
| DM 393-23 | Cap | VI | 157 | |
| DS 393-61 | Spring | VI | - | |
| D 393-69 | Plunger | | - | |
| D 393-73 | Sleeve | | 186 | |
| D 393-75 | Strap | | 157 | |
| DS 393-85 | Washer | VI | - | |
| D 393-87 | Spacer | | 186 | |
| DM 393-87 | Spacer | | 157 | |
| D 393-90 | Gasket | | - | |
| D 393-92 | Spring | | - | |
| D 393-93 | Plug | | - | |
| D 393-97 | Packing | | - | |
| D 412-03 | Arm | | 109 | |
| D 412-03a | Arm | | - | |
| D 412-3d | Bracket | | - | |
| D 412-3e | Bracket | | - | |
| DS 412-3 | Bracket | | - | |
| DS 412-3a | Bracket | | - | |
| D 412-4 | Nut | | - | |
| D 412-4a | Nut | | - | |
| DS 412-4 | Nut | | - | |
| D 412-8 | Arm | | - | |
| D 412-8a | Arm | | - | |
| DS 412-8 | Arm | | - | |
| DS 412-8a | Arm | | - | |
| D 412-81 | to | | - | |
| D 412-81p | Washer | | - | |
| D 412-83 | Cap | | - | |
| D 412-84 | to | | - | |
| D 412-84m | Washer | | - | |
| D 412-85 | Screw | | - | |
| D 412-86a | Screw | | - | |
| DS 412-86 | Screw | | - | |
| D 412-88a | Screw | | - | |
| DS 413-03b | Assembly | | - | |
| DS 413-03c | Assembly | | - | |
| DS 413-04a | Assembly | | 110 | |
| DS 413-07d | Swivel | | - | |
| DS 413-07e | Swivel | | - | |
| DS 413-4a | Level | | - | |
| D 413-11 | Nut | VI | - | |
| D 413-81 | Spring | | 110-162 | |
| D 413-85 | Gasket | | 110 | |
| DS 413-85 | Gasket | | - | |
| DS 413-87a | Cup | VI | - | |

| NUMBER | DESCRIPTION | Section | Page No. | REMARKS |
|------------|-----------------|---------|----------|---------|
| DS 413-87b | Cup | VI | 110 | |
| DS 413-300 | to | | - | |
| DS 413-327 | Washer | | - | |
| DM 416-80a | Weight | VI | 289 | |
| DM 416-80b | Weight | VI | - | |
| DM 416-80c | Weight | VI | - | |
| DM 416-80d | Weight | VI | - | |
| DM 416-80e | Weight | VI | - | |
| DS 416-80a | Weight | VI | - | |
| DS 416-80b | Weight | VI | - | |
| DS 416-80c | Weight | VI | - | |
| DS 416-80e | Weight | VI | - | |
| D 416-81 | Washer | VI | 110-114 | |
| D 416-83 | Cone | VI | - | |
| DM 416-85 | Spring | VI | 289 | |
| D 416-88 | Screw | VI | 110-114 | |
| DS 416-89 | Washer | VI | - | |
| D 416-93 | Spring | | - | |
| D 416-94a | Dowel | | 110 | |
| D 416-96 | Deflector | | - | |
| DM 416-97 | Gasket | VI | - | |
| DM 416-98 | Clip | | 289 | |
| DM 422-01 | Arm | | 114 | |
| DM 422-01a | Arm | | - | |
| DM 422-01f | Arm | | - | |
| DM 422-01g | Arm | | - | |
| DM 422-01h | Arm | | - | |
| DM 422-01i | Arm | | - | |
| DM 422-01r | Arm | | - | |
| DM 422-01s | Arm | | - | |
| DS 422-01f | Arm | | - | |
| DS 422-01g | Arm | | - | |
| DS 422-01r | Arm | | - | |
| DS 422-01s | Arm | | - | |
| DS 422-1b | Arm | | - | |
| DS 422-1c | Arm | | - | |
| DS 422-1d | Arm | | - | |
| DS 422-1e | Arm | | - | |
| D 422-2 | Nut | | - | |
| D 422-6 | Nut | | - | |
| D 422-8 | Nut | | - | |
| D 422-79 | Screw | | - | |
| D 422-80b | Cup | | 113-114 | |
| D 422-91 | Gasket | | 114 | |
| D 422-95c | Bush | VI | 113-114 | |
| D 422-96 | Body | | 114 | |

| NUMBER | DESCRIPTION | Section | Page No. | REMARKS |
|------------|-------------------------|---------|-----------------|---------|
| D 422-98 | Cap | | 114 | |
| DS 422-98 | Cap | | - | |
| D 426-3 | Nut | | - | |
| D 426-5 | Stub axle | | - | |
| D 426-15 | Spacer | | - | |
| D 426-89 | Bush | | - | |
| D 426-92 | Dowel | VI | 113-114 | |
| D 426-93a | Washer..... | | 114 | |
| D 426-99 | Tab washer..... | | - | |
| D 426-300 | to | | | |
| D 426-342 | Washer | VI | 117 | |
| DS 433-01c | Suspension sphere | | 162 | |
| DS 433-02c | Suspension sphere | | 166 | |
| D 433-82 | Plug | | 189 | |
| D 433-85 | End piece..... | | 162 | |
| D 433-90 | Gasket | | 157-162-166 | |
| D 434-02b | Cylinder..... | | 166 | |
| DM 434-02 | Cylinder..... | | 162 | |
| DM 434-02a | Cylinder..... | | - | |
| DS 434-02 | Cylinder..... | | - | |
| DS 434-02d | Cylinder..... | | 166 | |
| DS 434-04 | Nut | | 162-166 | |
| D 434-3 | Rod | | 162 | |
| D 434-3b | Rod | | 166 | |
| DS 434-3 | Rod | | - | |
| DS 434-4d | Lever..... | | 113 | |
| DS 434-4e | Lever..... | | - | |
| DS 434-4f | Lever..... | | - | |
| DS 434-4g | Lever..... | | - | |
| D 434-5 | Shield | | 162 | |
| D 434-5a | Shield | | - | |
| DS 434-5b | Shield | | - | |
| DS 434-57 | Washer..... | | - | |
| D 434-62a | Ring | | 162-166-197-201 | |
| D 434-63 | Ring | | 162-166 | |
| D 434-65 | Ring | | - | |
| D 434-67 | Plate | | 166 | |
| D 434-68 | Pin | | 162 | |
| D 434-70 | Plug | | 189 | |
| B 434-71 | Spacer..... | VI | 113 | |
| DS 434-71 | Spacer..... | VI | - | |
| D 434-74a | Dust cover..... | | 166 | |
| D 434-76a | Washer | | 162-166 | |
| D 434-80 | Pin | | 166 | |
| D 434-81 | Dust cover | | - | |
| D 434-86 | Dust cover | | 162 | |

| NUMBER | DESCRIPTION | Section | Page No. | REMARKS |
|------------|---------------------|---------|----------|---------|
| D 434-94a | Gasket | | 162-166 | |
| D 434-106 | Shield | | 162 | |
| D 434-107 | Shield | | - | |
| DS 435-02d | Corrector | | 162-166 | |
| DM 435-05 | Rod | | 166 | |
| DS 435-11 | Bar | | 117 | |
| D 435-20 | Diaphragm | | 162 | |
| DS 435-20 | Diaphragm | | - | |
| DF 435-21 | Tube | | 186-190 | |
| DM 435-21 | Tube | | 186 | |
| DM 435-21a | Tube | | - | |
| DS 435-23 | Bar | | 162 | |
| DM 435-25 | Tube | | 186 | |
| DM 435-25a | Tube | | 190-194 | |
| DM 435-27 | Union | | 186 | |
| DM 435-28 | Tube | | - | |
| DM 435-28a | Tube | | 190 | |
| DM 435-29 | Tube | | 186 | |
| DM 435-30 | Tube | | - | |
| DM 435-30a | Tube | | - | |
| DM 435-30c | Tube | | - | |
| DM 435-30d | Tube | | 190 | |
| DM 435-32 | Piping | | 186-197 | |
| DM 435-33 | Plug | VI | 189-193 | |
| DM 435-34 | Plug | VI | - | |
| DM 435-38 | Tube | | 189 | |
| DS 435-39a | Spring | | 162 | |
| DS 435-40a | Spring | | - | |
| DM 435-41 | Pipe assembly | | 193 | |
| DS 435-41 | Pipe assembly | | - | |
| DS 435-41b | Pipe assembly | | - | |
| DM 435-43 | Pipe | | - | |
| DS 435-43 | Pipe | | - | |
| DS 435-45 | Valve | VI | 162 | |
| DS 435-46 | Spring | | - | |
| DM 435-47 | Pipe | | 193 | |
| DM 435-47a | Pipe | | 194 | |
| DM 435-51b | Rod | | 162 | |
| DM 435-53 | Trim | | 189-193 | |
| D 435-55 | Bracket | | 162 | |
| DS 435-55 | Bracket | | - | |
| DM 435-57 | Clip | | 189 | |
| D 435-58 | U bolt | | 162 | |
| D 435-58a | U bolt | | - | |
| DM 435-61 | Bracket | | 189-201 | |
| DM 435-65 | Spacer | | 189 | |
| DS 435-70 | Collar | | 162 | |

| NUMBER | DESCRIPTION | Section | Page No. | REMARKS |
|-------------|---------------------|---------|-------------|---------|
| D 435-80a | Cup | | 162 | |
| D 435-82 | Cup | | - | |
| DS 435-82 | Cup | | - | |
| D 435-91 | Plug | VI | 189 | |
| D 435-96 | Cup | | 162 | |
| D 435-111 | Half bearing | VI | - | |
| D 435-111a | Half bearing | VI | - | |
| DS 435-112a | Housing | | - | |
| DS 435-112b | Housing | | 165 | |
| DM 435-122 | Bracket | | 166 | |
| DM 435-125 | Tube | | 189 | |
| DS 435-125 | Pipe assembly | | 193 | |
| DF 435-130 | Tube | | 189-193 | |
| DM 435-135 | Tube | | 189 | |
| D 435-139 | Cover | | 300-303 | |
| DM 435-142 | Cover | | 166 | |
| DF 435-146a | Tube | | 193 | |
| DM 435-146 | Tube | | 189 | |
| DS 435-147 | Cup | | 165 | |
| DS 435-148 | Nut | | - | |
| D 435-149 | Sleeve | | 166-205-206 | |
| D 435-150 | Sheath | | 189-193-197 | |
| D 435-153 | to Shim | | 165 | |
| D 435-153g | | | | |
| D 435-155 | Trim | VI | 166 | |
| DM 435-158a | Tube | | 189 | |
| DM 435-165 | Trim | | 189-193 | |
| DS 435-167 | Ring | | 165 | |
| DS 435-168 | Cup | | - | |
| DS 435-169 | Cup | | - | |
| DS 435-172 | Buffer | | - | |
| DS 435-174 | Bearing | VI | - | |
| DS 435-175 | Sleeve | | - | |
| DS 436-06e | Damper | | - | |
| DS 436-06f | Damper | | 166 | |
| DS 436-95a | Stud | | 165-166 | |
| DS 436-95b | Spindle | | - | |
| DS 436-98 | Nut | | - | |
| D 437-1 | Buffer | | 117 | |
| D 437-3 | Buffer | | 113 | |
| DM 437-5 | Rod | | 205 | |
| DM 437-5a | Rod | | 206 | |
| DM 437-6 | Lever | | 205 | |
| DM 437-6b | Lever | | 206 | |
| DM 437-8a | Rod | | 205-206 | |
| DM 437-9 | Rod | | - | |

| NUMBER | DESCRIPTION | Section | Page No. | REMARKS |
|-------------|----------------------|---------|----------|---------|
| DM 437-50 | Shaft | | 206 | |
| DM 437-55 | Rod | | 205 | |
| DM 437-55a | Rod | VI | 206 | |
| DM 437-58 | Screw | VI | - | |
| DM 437-73 | Quadrant | | 205 | |
| DM 437-73a | Quadrant | VI | 206 | |
| DM 437-76 | Tube | VI | - | |
| DM 437-80 | Lever | | 205 | |
| DM 437-82 | Lever | VI | 206 | |
| DM 437-101 | Rod | | 205-206 | |
| DM 437-109 | Bearing | VI | - | |
| DM 437-110 | Rod | | - | |
| DM 437-112 | Nut | VI | - | |
| DM 437-113 | Link | | - | |
| DM 437-118a | Collar | | - | |
| DM 437-119 | Locknut | VI | - | |
| DM 437-123 | Fork end | | - | |
| DM 437-123a | Fork end | VI | 206 | |
| DM 437-148 | Bracket | | - | |
| DM 437-149 | Bearing | VI | - | |
| DM 437-149a | Bearing | VI | - | |
| D 441-1a | Steering wheel | | 121 | |
| DM 441-1 | Steering wheel | | 118 | |
| DM 441-1a | Steering wheel | | - | |
| DM 441-1b | Steering wheel | | - | |
| DM 441-6 | Coupling | | - | |
| D 441-8 | Ring | | 118-121 | |
| DM 441-9 | Ring | | 118 | |
| DW 441-9 | Ring | | 118-121 | |
| D 441-10 | Spring | | - | |
| DS 441-12 | Segment | VI | - | |
| DM 441-13 | Ring | | 118 | |
| DW 441-13 | Ring | | - | |
| DW 441-57 | Cup | | 118-121 | |
| DS 441-66 | Screw | VI | - | |
| DM 441-67 | Plate | | - | |
| DW 441-67 | Plate | | 118 | |
| DS 441-69 | Collar | | 118-121 | |
| DS 441-70a | Binding | VI | - | |
| DS 441-70b | Binding | VI | 118 | |
| D 441-78 | Washer | | 118-121 | |
| DM 441-78 | Plate | | 118 | |
| DW 441-78 | Plate | | - | |
| DW 441-83 | Spacer | | 118-121 | |
| D 441-85a | Washer | | - | |
| DS 441-87 | Bush | | - | |
| DM 441-100 | Screw | | - | |

| NUMBER | DESCRIPTION | Section | Page No. | REMARKS |
|-------------|--------------------|---------|----------|---------|
| DS 442-01a | Pinion | | 130 | |
| D 442-04a | Housing | | 126 | |
| DM 442-04 | Housing | | 122 | |
| DM 442-04a | Housing | | - | |
| DM 442-05 | Steering box | | - | |
| DM 442-05a | Steering box | | - | |
| DS 442-05b | Steering box | | 126 | |
| DM 442-010a | Housing | | 122 | |
| DM 442-011a | Steering box | | - | |
| DS 442-014a | Pinion | | 130 | |
| D 442-1 | Guide | | 122-126 | |
| DS 442-2 | Spring | | - | |
| DS 442-3 | Nut | | - | |
| D 442-4 | Rack | | 126 | |
| DM 442-4 | Rack | | 122 | |
| DM 442-6 | Rack | | - | |
| D 442-8 | Ball pin | | 126 | |
| DM 442-8 | Ball pin | | 122 | |
| DM 442-8a | Ball pin | | - | |
| DS 442-8 | Ball pin | | 126 | |
| DM 442-9 | Pinion | | 122 | |
| DM 442-13 | Pinion | | - | |
| DM 442-19 | Nut | VI | - | |
| D 442-20 | Sheath | | 126 | |
| DM 442-20 | Sheath | | 122 | |
| D 442-21 | Nut | VI | 122-126 | |
| D 442-52 | Cap | | - | |
| DM 442-55 | Cap | VI | 122 | |
| D 442-58 | Nut | | 122-126 | |
| D 442-59 | Locknut | | 126 | |
| D 442-60 | Washer | | - | |
| DM 442-60 | Washer | | 122 | |
| D 442-68 | Tab washer | VI | 122-126 | |
| D 442-76 | Guide block | | 126 | |
| DM 442-76 | Guide block | | 122 | |
| D 442-79 | Cover plate | | 126 | |
| D 442-79a | Cover plate | | - | |
| DM 442-79 | Cover plate | | 122 | |
| DM 442-86 | Cup | | - | |
| D 442-91 | End piece | | 130 | |
| D 442-93 | Cap | | 122-126 | |
| DM 442-94 | Cover plate | | 122 | |
| DM 442-95 | Screw | | 133 | |
| DS 442-103 | Housing | VI | 122-126 | |
| DM 442-120 | Spring | | 122 | |
| DS 442-120 | Spring | | 137 | |

| NUMBER | DESCRIPTION | Section | Page No. | REMARKS |
|------------|---------------------|---------|-----------------|---------|
| DS 442-300 | | | | |
| to | Washer | | 122-125-126-129 | |
| DS 442-364 | | | | |
| D 443-01 | Bar | | 133-137 | |
| D 443-01a | Bar | | - | |
| DS 443-01 | Bar | | - | |
| DM 443-03 | Housing | | 133 | |
| DM 443-03d | Housing | | - | |
| DM 443-03e | Housing | | - | |
| DS 443-03 | Housing | | 137 | |
| DS 443-03a | Housing | | - | |
| D 443-04 | End piece | | 133-137 | |
| DS 443-04 | End piece | | - | |
| DS 443-05 | Housing | | - | |
| DM 443-06b | Lever | | 133 | |
| DM 443-06c | Lever | | - | |
| DS 443-06a | Lever | | 133-137 | |
| DS 443-06b | Lever | | - | |
| DM 443-07c | Housing | | 133 | |
| DM 443-07d | Housing | | - | |
| D 443-7 | Bushing | VI | 133-137 | |
| D 443-9 | Lever | | - | |
| D 443-9a | Lever | | - | |
| DM 443-9 | Lever | | 133 | |
| DM 443-9a | Lever | | - | |
| DM 443-9b | Lever | | - | |
| DS 443-10 | Sleeve | | 133-137-165 | |
| D 443-11 | Nut | | 125-129-133-137 | |
| DM 443-12 | Shield | | 133-137 | |
| DM 443-12a | Shield | | - | |
| DM 443-15 | Lever | | 133 | |
| DM 443-15a | Lever | | - | |
| DM 443-64 | Beading | VI | 296 | |
| DS 443-64 | Sealing strip | | 307-311 | |
| DM 443-65 | Rubber | | - | |
| D 443-66 | Nut | | 133 | |
| DS 443-66 | Nut | | 133-137 | |
| D 443-67 | Nut | | - | |
| D 443-70 | Clip | | 133-137-165 | |
| DS 443-71 | Washer | | 134-137 | |
| DM 443-73 | Shackle | | 134 | |
| DS 443-73 | Shackle | | 137 | |
| D 443-74 | Screw | | 134-137-161 | |
| D 443-78 | Ring | | 134 | |
| DS 443-78 | Protector | | 134-137 | |
| DM 443-82 | Plate | | 311 | |
| D 443-83 | Cap | | 134-137 | |

| NUMBER | DESCRIPTION | Section | Page No. | REMARKS |
|-----------------|-----------------|---------|-----------------|---------|
| DM 443-84 | Plate | | 311 | |
| D 443-87 | Nut | | 134-137 | |
| D 443-88 | Spindle | | 134 | |
| DS 443-88 | Spindle | | 134-137 | |
| D 443-89 | Washer | | - | |
| D 443-89a | Washer | | - | |
| DS 443-94 | Cup | VI | - | |
| D 443-95 | Gasket | | - | |
| DM 443-96 | Spindle | | - | |
| DM 443-96a | Spindle | | - | |
| D 444-01b | Control | | 130 | |
| DS 444-02a | Plug | | - | |
| DS 444-3 | Cylinder | | - | |
| DS 444-3c | Cylinder | | - | |
| DS 444-4 | Rod | | - | |
| D 444-6 | Rod | | 129 | |
| D 444-9 | Fork | | 130 | |
| DS 444-12 | Sheath | | - | |
| D 444-13 | Gasket | | 129 | |
| DS 444-18c | Piping | | 194 | |
| DM 444-49 | Tube | | - | |
| DS 444-62 | Nut | | 130 | |
| DS 444-63 | Ring seal | VI | 130-157-161-185 | |
| DS 444-64a | Ring seal | | 130 | |
| DS 444-65 | Ring seal | | 161 | |
| DS 444-72 | Washer | | 130 | |
| DS 444-73 | Plate | VI | - | |
| DS 444-75 | Ring seal | VI | 130-157 | |
| D 444-76 | Union | | 130 | |
| D 444-78 | Washer | VI | - | |
| D 444-80 | Rod | | 129 | |
| D 444-81 | Segment | | - | |
| DM 444-82 | Piping | | 194 | |
| DM 444-82a | Piping | | - | |
| DS 444-85 | Plate | VI | 130 | |
| DS 444-89 | Screw | | - | |
| D 444-90 | Bush | | - | |
| D 444-91 | Needle | VI | - | |
| D 444-92 | Gasket | | - | |
| D 444-97a | Spindle | | 129 | |
| D 444-98a | Circlip | | 130 | |
| D 444-99b to | Washer | | - | |
| D 444-99h | | | | |
| D 444-100 | Bush | | 129 | |
| DS 444-106 | Gasket | VI | 130 | |
| DS 444-108 | Gasket | VI | - | |

| NUMBER | DESCRIPTION | Section | Page No. | REMARKS |
|------------|-----------------|---------|----------|---------|
| DS 444-110 | Gasket | VI | 130 | |
| DS 445-1 | Cam | | 121 | |
| DS 445-2 | Spring | | - | |
| D 445-91 | Clip | | - | |
| D 445-94 | Screw | | - | |
| D 445-95 | Washer | VI | - | |
| D 445-96 | Washer | | - | |
| D 445-97 | Housing | | - | |
| D 445-98 | Bracket | | - | |
| DS 451-03 | Plate | | 153 | |
| DM 451-04 | Unit | | 141 | |
| DM 451-04a | Unit | | - | |
| DM 451-04b | Unit | | 145 | |
| DM 451-04c | Unit | | - | |
| DM 451-04d | Unit | | - | |
| DM 451-04e | Unit | | - | |
| DM 451-08a | Unit | | - | |
| DM 451-08b | Unit | | - | |
| DM 451-08d | Unit | | - | |
| DS 451-2 | Pin | | 153 | |
| D 451-5a | Drum | | 117 | |
| DS 451-5 | Drum | | - | |
| DS 451-15 | Eccentric | VI | 153 | |
| D 451-19b | Shoe | | 150 | |
| D 451-19c | Shoe | | - | |
| DS 451-19 | Shoe | | 153 | |
| D 451-20b | Shoe | | 150 | |
| D 451-20c | Shoe | | - | |
| DS 451-20 | Shoe | | 153 | |
| D 451-21a | Spring | | 150-153 | |
| DM 451-24 | Housing | | 141 | |
| DM 451-24a | Housing | | - | |
| DM 451-24b | Housing | | 145 | |
| DM 451-24c | Housing | | - | |
| D 451-26a | Plate | | 150 | |
| DS 451-31 | Casing | | 145 | |
| DS 451-31a | Casing | | - | |
| D 451-32 | Plate | | 141 | |
| DM 451-32a | Plate | | 145 | |
| DM 451-32b | Plate | VI | 141 | |
| D 451-33 | Bracket | | 141-145 | |
| D 451-33a | Bracket | | - | |
| D 451-37a | Bracket | | 145 | |
| D 451-38a | Bracket | | - | |
| DS 451-43 | Shoe | | 153 | |
| DS 451-44 | Shoe | | - | |
| D 451-52 | Pin | | 141-145 | |

| NUMBER | DESCRIPTION | Section | Page No. | REMARKS |
|-------------|-----------------------|---------|----------|---------|
| D 451-55 | Sheath | | 145 | |
| D 451-58 | Screw | | 141-145 | |
| D 451-59 | Spherical bush | | - | |
| D 451-59a | Spherical bush | | 145 | |
| DS 451-61 | Plate | | 150-153 | |
| D 451-65 | Lockplate | | 141-145 | |
| D 451-65a | Lockplate | | - | |
| D 451-67 | Bush | VI | - | |
| D 451-79 | Spring | | 145 | |
| DS 451-87 | Guide pin | | 153 | |
| DS 451-90 | Lockplate | | - | |
| D 451-91a | Drain ring | | 150-153 | |
| D 451-102 | Pin | | 141-145 | |
| DS 451-103 | Screw | | - | |
| DS 451-103a | Screw | | - | |
| DS 451-103b | Screw | | - | |
| D 451-105 | Pad | | - | |
| D 451-105a | Pad | | 145 | |
| D 451-106 | Support | VI | 141-145 | |
| DM 451-107 | Pin | | - | |
| D 451-110 | Screw | | 150-153 | |
| DM 451-113 | Spring | | 141 | |
| DM 452-1 | Duct | | 141-145 | |
| DS 452-1a | Duct | | 145 | |
| DS 452-89 | Gasket | VI | - | |
| D 452-92 | Crosspiece | | 292 | |
| DM 453-0 | Pedal gear | | 170 | |
| DM 453-0a | Pedal gear | | - | |
| DM 453-0b | Pedal gear | | - | |
| DM 453-0c | Pedal gear | | - | |
| DM 453-03 | Master cylinder | | 185 | |
| DM 453-03a | Master cylinder | | - | |
| DM 453-05 | Cylinder | | 150-153 | |
| DS 453-05 | Cylinder | | 153 | |
| DM 453-08 | Piping | | 197 | |
| DS 453-08 | Piping | | 201 | |
| DM 453-011 | Control | | 173-182 | |
| DM 453-014 | Control | | 182 | |
| D 453-015 | Piping | | 197-201 | |
| DM 453-018b | Pedal gear | | 177 | |
| DM 453-018c | Pedal gear | | 178 | |
| DM 453-019a | Master cylinder | | 185 | |
| DM 453-024 | Piping | | 197 | |
| DM 453-028 | Valve | | 157 | |
| DM 453-029 | Pedal gear | | 173 | |
| DM 453-029a | Pedal gear | | - | |
| DM 453-030 | Carrier | | 145 | |

| NUMBER | DESCRIPTION | Section | Page No. | REMARKS |
|-------------|---------------------|---------|----------|---------|
| DM 453-030a | Carrier | | 145 | |
| DM 453-030b | Carrier | | 141 | |
| DM 453-1 | Pedal | | 170 | |
| DM 453-1b | Pedal | | 173 | |
| DM 453-1c | Pedal | | 178 | |
| DM 453-1d | Pedal | | 173 | |
| DM 453-1e | Pedal | | 182 | |
| DM 453-3 | Bracket | | 170 | |
| DM 453-3a | Bracket | | - | |
| DM 453-3b | Bracket | | - | |
| DM 453-3c | Bracket | | - | |
| DM 453-6a | Body | | 185 | |
| DM 453-7 | Gasket | VI | - | |
| DM 453-9a | Pipe assembly | | 182 | |
| DM 453-10 | Cup | VI | 185 | |
| DM 453-11 | Spring | | - | |
| DM 453-11a | Spring | | - | |
| DM 453-12 | Piston | | - | |
| DM 453-13 | Cup | VI | - | |
| DM 453-14 | Washer | | - | |
| D 453-15 | Circlip | | 157 | |
| DM 453-15 | Circlip | | 185 | |
| DM 453-16 | Piping | | 197 | |
| DM 453-17 | Circlip | | 173-182 | |
| DM 453-20 | Cylinder | | 150-153 | |
| DS 453-20 | Cylinder | | 153 | |
| DM 453-21 | Piston | | 150 | |
| DM 453-21b | Piston | | 153 | |
| DS 453-21a | Piston | | - | |
| DM 453-22 | Spring | | 141 | |
| D 453-24 | Cap | | 150-153 | |
| DM 453-24 | Cap | | 153 | |
| DM 453-25a | Spring | VI | 177 | |
| DM 453-25c | Spring | | 173-178 | |
| DM 453-27 | Pipe | | 197 | |
| DM 453-27a | Pipe | | - | |
| DM 453-27c | Pipe | | 201 | |
| DM 453-28 | Cup | VI | 173-182 | |
| DM 453-31a | Pipe | | 197 | |
| DM 453-32 | Pipe | | - | |
| DM 453-32a | Pipe | | - | |
| DM 453-32c | Pipe | | 201 | |
| DM 453-36 | Protector | | 173-182 | |
| DS 453-36 | Bush | | 182 | |
| DF 453-41 | Piping | | 201 | |
| DM 453-41 | Piping | | - | |
| D 453-46 | Piston | | 141-145 | |

| NUMBER | DESCRIPTION | Section | Page No. | REMARKS |
|-------------|-----------------|---------|-------------------------|---------|
| DM 453-46 | Piston | | 145 | |
| D 453-47 | Rod | | 141-145 | |
| DM 453-48 | Plug | | 173-182 | |
| DF 453-50 | Piping | | 197-201 | |
| DF 453-50a | Piping | | 201 | |
| D 453-51 | Spring | | 173-182 | |
| DS 453-52 | Tube | VI | 197-201 | |
| DM 453-53 | Spring | | 173-182 | |
| DM 453-54 | Union | | 185 | |
| DM 453-55a | Tube | | 197 | |
| DM 453-57 | Cup | | 173-182 | |
| D 453-58 | Screw | | 197 | |
| D 453-60 | Lining | | 197-201 | |
| DM 453-60 | Bush | VI | 173-180 | |
| DM 453-62 | Diaphragm | VI | 185 | |
| DM 453-63a | Washer | | 173-182 | |
| DS 453-64 | Screw | | 197-201 | |
| DM 453-66 | Tube | | 201 | |
| DM 453-67a | Tube | | 197 | |
| DM 453-67c | Tube | | - | |
| DM 453-73 | Rod | | 177-170 | |
| DM 453-77 | Screw | | 185 | |
| D 453-82 | Lining | | 182-189-193- 197-201 | |
| DM 453-82 | Sleeve | VI | 189-201 | |
| DM 453-82a | Sleeve | VI | 69-70 | |
| DM 453-85e | Bracket | | 178 | |
| DM 453-88 | Washer | VI | 177 | |
| DM 453-91 | Crank | | - | |
| DF 453-93 | Backplate | | 201 | |
| DM 453-96 | Pin | | 170 | |
| DM 453-96a | Pin | | 177 | |
| DM 453-97 | Lining | | 170-173-177- 178-181 | |
| DS 453-97 | Lining | | 182 | |
| DS 453-98 | Carrier | | - | |
| DM 453-99d | Bracket | | 173 | |
| DM 453-99e | Bracket | | - | |
| D 453-104 | Pin | | 141 | |
| DM 453-104 | Tube | VI | 201 | |
| DM 453-105 | Union | | 197 | |
| DM 453-105a | Union | | - | |
| DM 453-107 | Tube | VI | 201 | |
| D 453-108 | Plate | | 141-145 | |
| DM 453-108 | Plate | | 145 | |
| DM 453-110 | Washer | | 173 | |
| D 453-115 | Pin | | 182 | |
| D 453-118 | Circlip | | 153 | |
| DM 453-118 | Gasket | | 150-153 | |

| NUMBER | DESCRIPTION | Section | Page No. | REMARKS |
|-------------|---------------------|---------|---------------------|---------|
| DM 453-119 | Pedal | | 177 | |
| DS 453-119 | Gasket | | 130-141-145- 157 | |
| DS 453-119a | Gasket | | 145 | |
| D 453-120 | Shim | | 141-145 | |
| D 453-120a | Shim | | 141-146 | |
| DM 453-120 | Shim | | 146 | |
| DM 453-120a | Shim | | - | |
| DM 453-120b | Shim | | - | |
| DM 453-121 | Protector | VI | 197-201 | |
| D 453-123 | Circlip | VI | 141-146 | |
| DM 453-126 | Bracket | | 173 | |
| D 453-127 | Bush | | 141 | |
| D 453-128 | Screw | | - | |
| DM 453-130 | Spring | | 157 | |
| D 453-131 | Plug | VI | 189 | |
| D 453-132 | Plug | VI | - | |
| DM 453-132 | Union | VI | 201 | |
| DM 453-134 | Bush | VI | 173 | |
| D 453-135 | Plug | | 197-201 | |
| DM 453-135a | Bracket | | 177 | |
| D 453-136 | Clamp | | 197-201 | |
| DM 453-138 | Pipe | | 201 | |
| D 453-141b | Support | | 197 | |
| D 453-144a | Screw | | - | |
| DM 453-147 | Washer | | 157 | |
| DM 453-147a | Washer | | - | |
| DM 453-147b | Washer | | - | |
| D 453-149 | Sleeve | | 182-189-201 | |
| DM 453-149 | Tube | | 173 | |
| D 453-150 | Plug | | 197-201 | |
| DM 453-150 | Plunger | | 173 | |
| DM 453-151 | Pipe | | 173-182 | |
| DF 453-152 | Union | | 201 | |
| D 453-158 | Screw | | 182 | |
| DM 453-163a | Pipe | | 201 | |
| DS 453-163 | Pipe | | - | |
| DM 453-165 | Cap | | 157 | |
| DS 453-168 | Shield | | 197-201 | |
| DS 453-170 | Shield | | - | |
| D 453-173 | Sleeve | | 189-201 | |
| D 453-177 | Clip | | - | |
| DM 453-180 | Pipe assembly | | 201 | |
| DM 453-180a | Pipe assembly | | - | |
| DM 453-186 | Bracket | | 182 | |
| DM 453-189 | Lining | | 174 | |
| DM 453-189a | Lining | | 178 | |
| DM 453-191 | Bracket | | 170 | |

| NUMBER | DESCRIPTION | Section | Page No. | REMARKS |
|-------------|---------------------|---------|----------|---------|
| DM 453-191b | Bracket | | 170 | |
| DM 453-192 | Fork end | | 170-177 | |
| DM 453-195 | Tube | | 197 | |
| DM 453-195a | Tube | | - | |
| DM 453-199 | Tube | | 197-201 | |
| DS 453-216a | Plate | VI | 182 | |
| DM 453-230b | Bracket | | 177 | |
| DM 453-233 | Body | | 185 | |
| DM 453-235a | Spring | | - | |
| DM 453-235b | Cup | | 185-201 | |
| DM 453-236 | Cup | | 185 | |
| DM 453-237a | Cap | | - | |
| DM 453-239b | Tube | | 202 | |
| DM 453-241 | Sleeve | | 197 | |
| DM 453-242 | Tube | | 198 | |
| DM 453-242a | Tube | | - | |
| DM 453-244 | Body | | 185 | |
| DM 453-245 | Body | | - | |
| DM 453-246 | Piping,Rilsan | | 198 | |
| DM 453-251 | Sleeve | VI | - | |
| DM 453-253 | Tube | | - | |
| DM 453-255 | Tube | | - | |
| DM 453-260 | Union | | 201 | |
| DM 453-263 | Pipe assembly | | - | |
| DM 453-264 | Piping | VI | - | |
| DM 454-06 | Lever | | 169 | |
| DM 454-010 | Lever | | - | |
| DM 454-1a | Cable | | - | |
| DM 454-1b | Cable | | - | |
| DM 454-3 | Lever | | - | |
| DM 454-6 | Lever | | - | |
| DM 454-11 | Push-rod | | 141 | |
| DM 454-11a | Push-rod | | - | |
| DM 454-11b | Push-rod | | 146 | |
| DM 454-11c | Push-rod | | - | |
| DM 454-12 | Push-rod | | 141-146 | |
| DM 454-12a | Push-rod | | - | |
| DM 454-13a | Lever | | 146 | |
| DM 454-14 | Lever | | 141-146 | |
| DM 454-15a | Lever | | 146 | |
| D 454-16a | Cable | VI | 169 | |
| DS 454-18 | Buffer | | - | |
| D 454-22 | Wheel | | 146 | |
| D 454-22a | Wheel | | - | |
| DM 454-22 | Wheel | | 141-146 | |
| DM 454-22a | Wheel | | - | |
| DM 454-24 | Bracket | | 169 | |

| NUMBER | DESCRIPTION | Section | Page No. | REMARKS |
|------------|--------------------|---------|----------|---------|
| DM 454-24a | Bracket | | 169 | |
| DM 454-24c | Bracket | | - | |
| DM 454-24d | Bracket | | - | |
| DM 454-27a | Handle | | - | |
| DM 454-28 | Spring | | - | |
| DM 454-29 | Lock | | - | |
| DM 454-30 | Ratchet, rod | | - | |
| DM 454-33 | Pawl | VI | 142-146 | |
| DM 454-33a | Pawl | VI | - | |
| DS 454-33 | Pawl | VI | 146 | |
| DS 454-33a | Pawl | VI | - | |
| DS 454-33b | Pawl | VI | - | |
| DM 454-34e | Cable | | 169 | |
| DM 454-34f | Cable | | - | |
| D 454-35 | Pin | | 146 | |
| DM 454-35 | Pin | | 142-146 | |
| DM 454-38 | Lever | | 146 | |
| DM 454-39 | Lever | | - | |
| DM 454-39b | Lever | | - | |
| DM 454-52 | Half stay | | 169 | |
| DM 454-54 | Pin | | - | |
| DM 454-55 | Spacer | VI | - | |
| DM 454-57 | Pin | | - | |
| DM 454-67 | Screw | | - | |
| D 454-71 | Pin | | 142-146 | |
| D 454-72 | Spring | | - | |
| D 454-74 | Screw | VI | - | |
| D 454-76 | End piece | | 169 | |
| D 454-77 | Spring | | 142-146 | |
| D 454-78 | Spring | | - | |
| D 454-79 | Plunger | VI | - | |
| DM 454-89 | Split cotter | | 142 | |
| DM 454-89a | Split cotter | | 142-146 | |
| D 454-93 | Disc | | - | |
| D 454-94 | Bush | VI | - | |
| DS 454-95 | Grommet | VI | 169 | |
| DM 454-103 | Rod | | - | |
| DM 454-109 | Spring | | - | |
| DS 454-113 | Lining | VI | 181 | |
| DM 454-115 | Pin | | 169 | |
| D 454-118 | Nut | VI | 142-146 | |
| DM 454-119 | Pin | | 169 | |
| DM 454-142 | Stop | | 142-146 | |
| D 454-160 | Cup | | - | |
| DM 511-3a | Harness | | 250 | |
| DM 511-3b | Harness | | - | |
| DM 511-3c | Harness | | - | |

| NUMBER | DESCRIPTION | Section | Page No. | REMARKS |
|------------|---------------|---------|----------|---------|
| DM 511-3e | Harness | | 250 | |
| DM 511-5 | Cable | | - | |
| DM 511-6 | Harness | | - | |
| DM 511-6a | Harness | | - | |
| DM 511-6d | Harness | | - | |
| DM 511-6e | Harness | | - | |
| DM 511-6f | Harness | | 251 | |
| DM 511-6g | Harness | | - | |
| DM 511-8a | Cable | | 250 | |
| DM 511-8b | Cable | | - | |
| DM 511-8c | Cable | | 250-252 | |
| DM 511-8d | Cable | | 252 | |
| DM 511-9a | Harness | | 250 | |
| DM 511-9c | Harness | | - | |
| DM 511-9e | Harness | | 251 | |
| DM 511-9f | Harness | | 250 | |
| DM 511-9j | Harness | | - | |
| DM 511-9v | Harness | | - | |
| DM 511-9x | Harness | | 252 | |
| DM 511-17 | Cable | | 250 | |
| DF 511-19 | Cable | | 57-58 | |
| DM 511-22 | Harness | | 251 | |
| DS 511-22 | Harness | | 252 | |
| DM 511-23a | Harness | | 251 | |
| DM 511-23b | Harness | | - | |
| DM 511-23c | Harness | | 250 | |
| DM 511-23e | Harness | | - | |
| DM 511-23g | Harness | | - | |
| DM 511-23w | Harness | | - | |
| DM 511-24a | Harness | | 251-252 | |
| DM 511-24b | Harness | | 251 | |
| DM 511-24c | Harness | | 250-251 | |
| DM 511-24e | Harness | | 251 | |
| DM 511-24f | Harness | | - | |
| DM 511-24g | Harness | | 251-252 | |
| DM 511-24m | Harness | | - | |
| DM 511-24r | Harness | | 251 | |
| DM 511-24s | Harness | | - | |
| DM 511-24u | Harness | | - | |
| DM 511-25 | Harness | | - | |
| DM 511-25a | Harness | | - | |
| DS 511-25 | Harness | | 252 | |
| DS 511-25a | Harness | | - | |
| DS 511-25b | Harness | | - | |
| DS 511-25c | Harness | | - | |
| DM 511-35 | Harness | | 251 | |
| DM 511-35a | Harness | | - | |

| NUMBER | DESCRIPTION | Section | Page No. | REMARKS |
|------------|------------------------|---------|----------|---------|
| DM 511-35f | Harness | | 251-252 | |
| DM 511-35g | Harness | | 251 | |
| DM 511-35h | Harness | | 251-252 | |
| DM 511-35r | Harness | | 251 | |
| DM 511-35t | Harness | | - | |
| DM 511-35x | Harness | | - | |
| DM 511-35y | Harness | | 251-252 | |
| DM 511-36 | Harness | | 252 | |
| DM 511-36a | Harness | | - | |
| DM 511-36c | Harness | | - | |
| DM 511-36e | Harness | | - | |
| DM 511-36f | Harness | | - | |
| DM 511-44 | Harness | | - | |
| DM 511-44a | Harness | | - | |
| DM 511-44c | Harness | | - | |
| DM 511-44g | Harness | | - | |
| DM 511-44k | Harness | | - | |
| DM 511-44q | Harness | | - | |
| DM 511-44t | Harness | | - | |
| DM 511-44x | Harness | | - | |
| DM 511-45 | Protector | | 253 | |
| DM 511-63 | Harness | | 251 | |
| DS 511-63a | Cable | | 252 | |
| DS 511-95 | Bush | | 253 | |
| D 511-97 | Bush | | - | |
| D 511-98 | Bush | | - | |
| DM 511-107 | Harness | | 252 | |
| DM 511-110 | Harness | | - | |
| DM 512-98 | Tube | | 253 | |
| DB 521-02e | Instrument panel | VI | 217 | |
| DB 521-02g | Instrument panel | VI | - | |
| DM 521-02b | Instrument panel | VI | 209 | |
| DM 521-02d | Instrument panel | VI | - | |
| DM 521-02q | Instrument panel | VI | 213-217 | |
| DM 521-02s | Instrument panel | VI | - | |
| DM 521-02t | Instrument panel | VI | 217 | |
| DM 521-02v | Instrument panel | VI | - | |
| DM 521-02x | Instrument panel | VI | - | |
| DM 521-02z | Instrument panel | VI | 213-217 | |
| DB 521-03e | Instrument panel | VI | 217 | |
| DF 521-03g | Instrument panel | VI | 218 | |
| DM 521-03a | Instrument panel | VI | 209 | |
| DM 521-03e | Instrument panel | VI | 217 | |
| DM 521-03j | Instrument panel | VI | 218 | |
| DM 521-03m | Instrument panel | VI | 213-218 | |
| DM 521-03q | Instrument panel | VI | 218 | |
| DM 521-03r | Instrument panel | VI | 217 | |

| NUMBER | DESCRIPTION | Section | Page No. | REMARKS |
|-------------|------------------------|---------|-----------------|---------|
| DM 521-03s | Instrument panel | VI | 217 | |
| DM 521-03u | Instrument panel | VI | 218 | |
| DM 521-03x | Instrument panel | VI | 217 | |
| DM 521-07g | Instrument panel | VI | - | |
| DM 521-07i | Instrument panel | VI | - | |
| DM 521-07k | Instrument panel | VI | - | |
| DM 521-07n | Instrument panel | VI | - | |
| DM 521-08a | Instrument panel | VI | 209 | |
| DM 521-1c | Petrol gauge | VI | - | |
| DM 521-1d | Petrol gauge | VI | 217 | |
| DM 521-2 | Clock | VI | 209 | |
| DM 521-2b | Clock | VI | 217 | |
| DM 521-3b | Cable flexible | VI | 209 | |
| DB 521-7 | Sleeve | VI | 221 | |
| DM 521-7 | Sleeve | VI | - | |
| DM 521-7a | Sleeve | VI | - | |
| DM 521-11 | Petrol gauge | VI | 209 | |
| DM 521-12 | Petrol gauge | VI | 213-218 | |
| DM 521-12a | Petrol gauge | VI | 213-217 | |
| DM 521-13b | Clock | VI | 213-217-218 | |
| DW 521-13 | Clock | VI | 213-221 | |
| DA 521-15 | Gauge | VI | 218 | |
| DM 521-15 | Gauge | VI | 213-217 | |
| D 521-16 | Clock | VI | 214-222 | |
| DA 521-78 | Gasket | VI | 213-221 | |
| DM 521-83a | Cable flexible | VI | 209-213-221 | |
| DM 521-83b | Cable flexible | VI | 221 | |
| DM 521-83d | Cable flexible | VI | 209-221 | |
| DM 521-83g | Cable flexible | VI | 221 | |
| DM 521-84a | Cable flexible | VI | 209-213-221 | |
| DM 521-84b | Cable flexible | VI | 221 | |
| D 521-96 | Bush | | 209-213-221-320 | |
| D 521-97 | Washer | | 316 | |
| DA 521-102 | Glass | VI | 218 | |
| DM 521-102 | Glass | VI | 209-213-217 | |
| DM 521-102a | Glass | VI | 209-213-218 | |
| DM 521-102b | Glass | VI | 209-213-217 | |
| DM 521-102c | Glass | VI | 217 | |
| DM 521-102e | Glass | VI | - | |
| DM 521-102f | Glass | VI | - | |
| DM 521-102g | Glass | VI | 218 | |
| DM 521-102h | Glass | VI | - | |
| DM 521-102i | Glass | VI | - | |
| DM 521-102j | Glass | VI | - | |
| DM 521-102k | Glass | VI | 217 | |
| DM 521-102m | Glass | VI | - | |
| DM 521-102n | Glass | VI | - | |

| NUMBER | DESCRIPTION | Section | Page No. | REMARKS |
|------------|---------------------|---------|-------------------------|---------|
| D 522-02 | Switch | VI | 209-221 | |
| DM 522-02 | Switch | VI | 209-213-221 | |
| DF 522-05 | Switch | VI | 221 | |
| DM 522-05a | Switch | VI | 209 | |
| DM 522-05b | Switch | VI | 213-221 | |
| DM 522-05c | Switch | VI | - | |
| DM 522-06 | Switch | VI | 209-213 | |
| DM 522-08 | Switch | VI | 209 | |
| D 522-7a | Switch | VI | 242-246 | |
| DM 522-7a | Switch | VI | 246 | |
| DM 522-9 | Switch | VI | 209-213 | |
| DM 522-9a | Switch | VI | 221 | |
| DM 522-10 | Switch | VI | 209-213-256 | |
| DM 522-10b | Switch | VI | 221-275-280- 287-288 | |
| D 522-12a | Switch | VI | 209 | |
| DM 522-12 | Switch | VI | 213 | |
| DM 522-12b | Switch | VI | 221 | |
| D 522-13b | Switch | VI | 288 | |
| D 522-18 | Potentiometer | VI | 214-222 | |
| D 522-19 | Switch | VI | - | |
| D 522-20 | Knob | VI | - | |
| D 522-21 | Switch | VI | - | |
| DM 523-1 | Fuse holder | VI | 253 | |
| DM 523-4 | Fuse | VI | - | |
| DM 523-6 | Bracket | VI | - | |
| DM 523-6a | Bracket | VI | - | |
| DM 523-6b | Bracket | VI | - | |
| DM 523-99 | Grommet | VI | - | |
| DM 523-99a | Grommet | VI | - | |
| DS 523-99 | Grommet | VI | - | |
| DM 524-01a | Solenoid | VI | 233-237-250 | |
| DM 524-01c | Solenoid | VI | 234-238-250 | |
| DS 524-01a | Solenoid | VI | 234-238-252 | |
| DM 524-93 | Clamp | | 234-238 | |
| DM 524-98 | Clamp | | 233-237 | |
| DM 524-98a | Clamp | | - | |
| DM 524-98b | Clamp | | 234-238 | |
| DM 525-2b | Control | VI | 209 | |
| DM 525-2c | Control | VI | 209-213 | |
| DM 525-2g | Control | VI | 221 | |
| DM 525-2h | Control | VI | - | |
| DM 525-2i | Control | VI | - | |
| DM 525-2j | Control | VI | - | |
| DM 525-2k | Control | VI | - | |
| DS 525-99 | Rubber | | 209-213-221 | |
| DM 531-2a | Bracket | | 209 | |
| DS 531-2d | Bracket | | 221 | |

| NUMBER | DESCRIPTION | Section | Page No. | REMARKS |
|------------|-----------------|---------|-------------|---------|
| DM 531-3 | Tray | VI | 209 | |
| DM 531-7a | Bracket | | 213-221 | |
| DM 531-8 | Tray | | - | |
| DM 531-62 | Frame | VI | 213 | |
| DW 531-72 | Spring | | 209-214-221 | |
| DM 531-73a | Spacer | | - | |
| DS 531-75a | Stay | | 221 | |
| DW 531-75 | Stay | | 222 | |
| D 531-83 | Tube | | 210-214-222 | |
| DM 531-87 | Stay | | 210-214 | |
| DM 531-87a | Stay | | 210-214-222 | |
| DS 531-87 | Stay | | 222 | |
| DS 531-91d | Bracket | | - | |
| DW 531-91 | Bracket | | - | |
| DM 531-92b | Frame | | 210 | |
| DM 531-92c | Frame | VI | - | |
| DM 531-92f | Frame | | 214-222 | |
| DM 531-92h | Frame | | 222 | |
| DM 531-100 | Frame | VI | 210 | |
| DF 532-0 | Dynamo | VI | 225 | |
| DF 532-0a | Dynamo | VI | 229 | |
| DM 532-0b | Dynamo | VI | 225 | |
| DM 532-0c | Dynamo | VI | 229 | |
| DM 532-0e | Dynamo | VI | 225 | |
| DM 532-0g | Dynamo | VI | 229 | |
| DM 532-0h | Dynamo | VI | 225 | |
| DS 532-0u | Dynamo | VI | 226 | |
| DS 532-0v | Dynamo | VI | 230 | |
| DS 532-0x | Dynamo | VI | - | |
| DF 532-03 | End plate | VI | 229 | |
| DS 532-03 | End plate | VI | 225 | |
| DS 532-03b | End plate | VI | 230 | |
| DS 532-03c | End plate | VI | - | |
| DM 532-07 | End plate | VI | 229 | |
| DS 532-07a | End plate | VI | 226 | |
| DS 532-07b | End plate | VI | 230 | |
| DM 532-1 | Casing | VI | 225 | |
| DM 532-1a | Casing | VI | 229 | |
| DF 532-4 | Coil | VI | - | |
| DS 532-4 | Coil | VI | 225 | |
| DS 532-4a | Coil | VI | 229 | |
| DS 532-4b | Coil | VI | 225 | |
| DS 532-4c | Coil | VI | 226 | |
| DS 532-4d | Coil | VI | 230 | |
| DS 532-4e | Coil | VI | - | |
| DM 532-10 | Tell-tale | VI | 209-230 | |
| DM 532-10b | Tell-tale | VI | 221 | |

| NUMBER | DESCRIPTION | Section | Page No. | REMARKS |
|------------|---------------------|---------|-----------------|---------|
| DS 532-11 | Brush holder | VI | 225 | |
| DS 532-13 | Bush | VI | 226 | |
| DF 532-15 | Spring | VI | 229 | |
| DF 532-28 | Armature | VI | - | |
| DM 532-28 | Armature | VI | 225 | |
| DS 532-28 | Armature | VI | - | |
| DS 532-28a | Armature | VI | 229 | |
| DS 532-28c | Armature | VI | 226 | |
| DS 532-28d | Armature | VI | 230 | |
| DS 532-32 | Belt adjuster | | 225-229 | |
| DS 532-32a | Belt adjuster | | 226-230 | |
| DM 532-34 | Pulley | VI | 225 | |
| DM 532-34a | Pulley | VI | 229 | |
| DS 532-34d | Pulley | VI | 226 | |
| DS 532-34e | Pulley | VI | 230 | |
| DS 532-36a | Plate | VI | 229 | |
| DS 532-40 | Bearing | VI | 230 | |
| DS 532-85 | Washer | | 225-226-229 | |
| DS 532-85a | Washer | | - | |
| DS 532-85b | Washer | | 230 | |
| DS 532-85c | Washer | | - | |
| DS 532-87 | Plate | VI | 225 | |
| DS 532-87a | Plate | VI | 229 | |
| DS 532-88 | Bracket | VI | 225 | |
| DS 532-88a | Bracket | VI | 229 | |
| DS 532-89 | Harness | VI | 225 | |
| DS 532-89a | Harness | VI | 229 | |
| DF 532-94 | Rod | VI | - | |
| DS 532-94 | Rod | VI | 225 | |
| DS 532-94a | Rod | VI | 229 | |
| D 533-01a | Starter motor | VI | 233 | |
| D 533-01b | Starter motor | VI | 237 | |
| DF 533-01 | Starter motor | VI | 238 | |
| DM 533-01 | Starter motor | VI | 234 | |
| DM 533-01a | Starter motor | VI | 238 | |
| DS 533-01a | Starter motor | VI | 234 | |
| DS 533-01b | Starter motor | VI | 238 | |
| D 533-1 | Gear ring | | 25-233-234-238 | |
| DM 533-2 | Bush | VI | 234 | |
| DF 533-3 | Housing | VI | 238 | |
| DM 533-3 | Housing | VI | 234 | |
| DS 533-3 | Housing | VI | 233 | |
| DS 533-3a | Housing | VI | 237 | |
| DS 533-3b | Housing | VI | 234 | |
| DS 533-3c | Housing | VI | 238 | |
| DS 533-6 | Spring | VI | 233-234-237-238 | |
| DF 533-9 | Coil | VI | 238 | |

| NUMBER | DESCRIPTION | Section | Page No. | REMARKS |
|------------|----------------------|---------|-----------------|---------|
| DM 533-9 | Coil | VI | 234 | |
| DM 533-9a | Coil | VI | 238 | |
| DS 533-9 | Coil | VI | 233 | |
| DS 533-9a | Coil | VI | 237 | |
| DF 533-11 | Armature | VI | 238 | |
| DM 533-11 | Armature | VI | 234 | |
| DM 533-11a | Armature | VI | 238 | |
| DS 533-11 | Armature | VI | 233 | |
| DS 533-11a | Armature | VI | 237 | |
| DM 533-12 | Bush | VI | 234 | |
| DF 533-13 | End plate | VI | 238 | |
| DM 533-13 | End plate | VI | 234 | |
| DS 533-13 | End plate | VI | 233 | |
| DS 533-13a | End plate | VI | 237 | |
| DM 533-14 | Brush holder | VI | 234 | |
| DF 533-15 | Brush | VI | 238 | |
| DF 533-15a | Brush | VI | - | |
| DM 533-15 | Brush | VI | 234 | |
| DM 533-15a | Brush | VI | - | |
| DS 533-15 | Brush | VI | 233 | |
| DS 533-15a | Brush | VI | - | |
| DS 533-15b | Brush | VI | 237 | |
| DS 533-15c | Brush | VI | - | |
| DM 533-16 | Spring | VI | 234 | |
| DM 533-20 | Terminal | VI | - | |
| DS 533-20 | Terminal | VI | 233 | |
| DS 533-20a | Terminal | VI | 237 | |
| D 533-21b | Starter pinion | VI | 233-234-237 | |
| DF 533-22 | Bearing plate | VI | 238 | |
| DM 533-22 | Bearing plate | VI | 234 | |
| DS 533-22 | Bearing plate | VI | 237 | |
| DS 533-23 | Carrier ring | VI | - | |
| DS 533-24 | Sleeve | VI | 233-234-237 | |
| DS 533-25 | Spring | VI | - | |
| DS 533-26 | Pinion | VI | - | |
| DS 533-28 | Sleeve | VI | - | |
| DS 533-37 | Shield | | 234-238 | |
| DF 533-40 | Bush | VI | 238 | |
| DS 533-85 | Washer | VI | 233-234-237 | |
| DS 533-88 | Nut | VI | - | |
| DS 533-89 | Washer | VI | - | |
| DS 533-90 | Lockplate | VI | - | |
| DS 533-91 | Bush | VI | - | |
| DF 533-97 | Rod | VI | 238 | |
| DM 533-97 | Rod | VI | 234 | |
| DS 533-102 | Bracket | VI | 234-238 | |
| DM 535-1d | Regulator | VI | 225-226-229-230 | |

| NUMBER | DESCRIPTION | Section | Page No. | REMARKS |
|------------|----------------------|---------|-----------------|---------|
| DS 535-1a | Regulator | VI | 225-229 | |
| DS 535-1b | Regulator | VI | - | |
| DS 535-1d | Regulator | VI | 226-230 | |
| DM 535-89 | Stop | | 225-226-229-230 | |
| DM 535-91 | Bracket | | 225 | |
| D 535-98 | Bracket | | 225-299 | |
| DM 535-98a | Bracket | | - | |
| DS 541-03a | Bracket | VI | 241 | |
| DS 541-03d | Bracket | VI | - | |
| DS 541-03e | Bracket | VI | - | |
| DM 541-1c | Headlamp | VI | 246 | |
| DS 541-1a | Headlamp | VI | 241 | |
| DS 541-1b | Headlamp | VI | - | |
| DS 541-1k | Headlamp | VI | - | |
| DS 541-1m | Headlamp | VI | - | |
| DM 541-4 | Glass | VI | 246 | |
| DS 541-4 | Glass | VI | 241 | |
| DS 541-4a | Glass | VI | - | |
| DS 541-4c | Glass | VI | - | |
| DS 541-4e | Glass | VI | - | |
| DS 541-4f | Glass | VI | 246 | |
| DS 541-11 | Dust cap | VI | 241 | |
| DS 541-11a | Dust cap | VI | - | |
| DS 541-11b | Dust cap | VI | - | |
| DS 541-12 | Rim | VI | - | |
| DS 541-12a | Rim | VI | - | |
| DS 541-12b | Rim | VI | - | |
| DS 541-13 | Bulb holder | VI | 241-246 | |
| DS 541-13a | Bulb holder | VI | 241 | |
| DS 541-13c | Connector | VI | - | |
| DS 541-13e | Connector | VI | 241-246 | |
| DS 541-97 | Clip | VI | 241 | |
| DM 544-02a | Lamp | VI | 245 | |
| DS 544-02 | Lamp | | 245-249 | |
| DW 544-02b | Lamp | VI | 245 | |
| DS 544-03 | Lamp | | 245-249 | |
| D 544-04a | Lamp | VI | 242 | |
| DM 544-011 | Lamp | VI | 245-249 | |
| DM 544-4 | Cover | VI | 245 | |
| DS 544-5 | Glass | VI | 245-249 | |
| D 544-10 | Tell-tale | VI | 241-246 | |
| D 544-11 | Gasket | VI | - | |
| DS 544-12 | Gasket | VI | 249 | |
| DM 544-14 | Plate | VI | 245-249 | |
| D 545-2b | Roof light | VI | 245 | |
| D 545-2c | Roof light | VI | - | |
| DM 545-2 | Interior light | VI | 242 | |

| NUMBER | DESCRIPTION | Section | Page No. | REMARKS |
|------------|----------------------|---------|----------|---------|
| DM 545-2a | Interior light | VI | 242-246 | |
| D 545-4 | Glass | VI | 245 | |
| D 545-4a | Glass | VI | - | |
| DM 545-4a | Glass | VI | 242-246 | |
| DS 545-9 | Boot light | VI | - | |
| DS 545-10 | Cover | VI | - | |
| DS 545-84 | Bracket | | - | |
| DS 545-87 | Bracket | | - | |
| DS 545-87a | Bracket | | 242 | |
| DM 551-3a | Driving mirror | VI | 255 | |
| DM 551-3c | Driving mirror | VI | - | |
| DM 551-80 | Base | | - | |
| DM 551-82 | Support | | - | |
| DM 554-01 | Sun visor | | - | |
| DM 554-01a | Sun visor | | - | |
| DM 554-01c | Sun visor | | - | |
| DM 554-01d | Sun visor | | - | |
| DS 554-01 | Sun visor | | - | |
| DS 554-01i | Sun visor | | - | |
| D 554-1 | Shield | | - | |
| DM 554-1 | Shield | | - | |
| DM 554-1a | Shield | | - | |
| DM 554-1b | Shield | | - | |
| DS 554-1a | Shield | | - | |
| DS 554-83 | Pin | | - | |
| D 554-90 | Plug | VI | - | |
| D 554-91 | Bearing | VI | - | |
| D 554-96 | Sleeve | VI | - | |
| DS 554-97 | Bracket | | - | |
| DS 554-97a | Bracket | | - | |
| D 561-01a | Motor | VI | 256 | |
| DS 561-01c | Motor | VI | 260 | |
| DS 561-01d | Motor | VI | - | |
| D 561-2 | Motor | VI | 256 | |
| DS 561-2 | Motor | VI | 259 | |
| DS 561-2a | Motor | VI | - | |
| DS 561-3 | Tube | VI | 256 | |
| D 561-6 | Fixing plate | VI | - | |
| DS 561-6 | Fixing plate | VI | 259 | |
| DS 561-7 | Bracket | VI | - | |
| DS 561-8 | Block | VI | - | |
| DS 561-51 | Drive | VI | - | |
| DS 561-63 | Backplate | VI | 260 | |
| DS 561-65 | Gasket | VI | 259 | |
| DS 561-66 | Stud | VI | - | |
| DS 561-67 | Plate | VI | - | |
| DS 561-68 | Plate | VI | - | |

| NUMBER | DESCRIPTION | Section | Page No. | REMARKS |
|------------|---------------------|---------|-------------|---------|
| DS 561-68a | Handle | VI | 260 | |
| DS 561-69 | Washer | VI | 259 | |
| DS 561-70 | Screw | VI | - | |
| DS 561-70a | Screw | VI | 260 | |
| DS 561-71 | Retainer | VI | 259 | |
| DS 561-76 | Nut | VI | - | |
| D 561-77 | Screw | | 256 | |
| DS 561-77 | Screw | VI | 259 | |
| DS 561-80 | Washer | VI | - | |
| DS 561-81 | Washer | VI | 260 | |
| DS 564-03a | Reservoir | VI | 210-214 | |
| DS 564-03c | Reservoir | VI | 222 | |
| DM 564-07 | Screen washer | VI | 210 | |
| DS 564-07b | Screen washer | VI | 210-214-222 | |
| DM 564-5 | Nozzle | | 271-275-280 | |
| DM 564-6 | Nozzle | | - | |
| DS 564-8a | Jet | VI | 210 | |
| DS 564-8c | Jet | VI | 210-214-222 | |
| DS 564-8d | Jet | VI | - | |
| DM 564-9 | Pump | VI | 210-214 | |
| DM 564-9a | Pump | VI | 222 | |
| DS 564-9 | Pump | VI | 210 | |
| DM 564-46 | Nozzle | VI | 287 | |
| DS 564-54a | Gasket | VI | 210-214-222 | |
| DM 564-55a | Tube | VI | 222 | |
| DS 564-55a | Tube | VI | 210 | |
| DS 564-55b | Tube | VI | 210-214-222 | |
| DS 564-67a | Lid | VI | - | |
| DS 564-67b | Lid | VI | 210-222 | |
| DS 564-72a | Reservoir | VI | 210-214 | |
| DS 564-72b | Reservoir | VI | 222 | |
| DM 564-78 | Duct | VI | 287 | |
| D 564-80 | Plate | | 271-275-280 | |
| DM 564-80 | Finisher | VI | 287 | |
| DM 564-84 | Tube | VI | 271-275-280 | |
| D 564-85 | Tube | VI | - | |
| DM 564-85 | Gasket | VI | 287 | |
| DM 564-87 | Reinforcement | VI | - | |
| DM 564-103 | Tube | VI | 210-214-222 | |
| DM 564-105 | Protector | VI | - | |
| DS 564-105 | Protector | VI | 210 | |
| DM 565-0 | Wiper | VI | 256 | |
| DS 565-0 | Wiper | VI | 259 | |
| DS 565-0a | Wiper | VI | - | |
| DS 565-0c | Wiper | VI | 260 | |
| DS 565-0d | Wiper | VI | - | |
| DS 565-04a | Linkage | VI | - | |

| NUMBER | DESCRIPTION | Section | Page No. | REMARKS |
|------------|--------------------|---------|-----------------|---------|
| DM 565-06 | Spindle | VI | 256 | |
| DM 565-07 | Linkage | VI | - | |
| DS 565-2b | Brush | VI | 256-259 | |
| DS 565-2c | Brush | VI | - | |
| DS 565-2d | Brush | VI | 260 | |
| DS 565-2e | Brush | VI | - | |
| DM 565-4 | Linking rod | VI | 256 | |
| DM 565-4a | Linking rod | VI | - | |
| DM 565-5 | Bracket | VI | - | |
| D 565-5a | Bracket | VI | - | |
| DS 565-5 | Bracket | VI | 259 | |
| DS 565-5a | Bracket | VI | - | |
| DS 565-5b | Bracket | VI | 260 | |
| DS 565-5c | Bracket | VI | - | |
| DS 565-7a | Rod | VI | - | |
| DS 565-10b | Brush holder | VI | 256-259 | |
| DS 565-10c | Brush holder | VI | - | |
| DS 565-10d | Brush holder | VI | 260 | |
| DS 565-10e | Brush holder | VI | - | |
| DS 565-12 | Blade | VI | 256-259 | |
| DS 565-12a | Blade | VI | 260 | |
| D 565-13 | Bracket | VI | 256 | |
| DM 565-14 | Swivel plate | VI | - | |
| DM 565-18 | Linking rod | VI | - | |
| DS 565-18 | Linking rod | VI | 259 | |
| DS 565-23 | Linking rod | VI | - | |
| D 565-58 | Bush | VI | 256-275-280-287 | |
| DW 565-65 | Rod | VI | 260 | |
| DS 565-66 | Link | VI | 259 | |
| DS 565-66a | Link | VI | - | |
| DS 565-67 | Clamp | VI | - | |
| D 565-68 | Pin | VI | 256 | |
| D 565-70 | Clip | VI | - | |
| DS 565-70 | Clip | VI | 259 | |
| DS 565-70a | Clip | VI | 260 | |
| D 565-73 | Washer | VI | 256 | |
| DM 565-80 | Stud | VI | - | |
| DS 565-89 | Backplate | VI | 259 | |
| DS 565-93 | Bush | VI | 260 | |
| DS 565-94 | Nut | VI | - | |
| D 565-96 | Cap | VI | 256 | |
| DS 565-96 | Cap | VI | - | |
| DS 565-97 | Circlip | VI | - | |
| DS 565-102 | Buffer | VI | - | |
| D 565-104 | Bush | VI | 256-275-280-287 | |
| D 565-105 | Tube | VI | 256 | |
| DS 565-113 | Handle | VI | 259 | |

| NUMBER | DESCRIPTION | Section | Page No. | REMARKS |
|-------------|-----------------|---------|-----------------|---------|
| D 565-115 | Washer | | 256-275-280-287 | |
| DS 565-117a | Stop | | 256-259-260-351 | |
| DM 571-1d | Horn | VI | 253 | |
| DM 571-2 | Horn | VI | - | |
| DM 571-3a | Horn | VI | - | |
| DM 571-4 | Horn | VI | - | |
| DS 571-97 | Bracket | | - | |
| DM 571-98 | Plate | | - | |
| DM 571-99 | Bracket | | - | |
| DS 571-99 | Bracket | | - | |
| D 575-1 | Light | VI | 242 | |
| D 575-1a | Light | VI | - | |
| DS 575-1j | Light | VI | - | |
| DS 575-1k | Light | VI | - | |
| DS 575-1p | Light | VI | - | |
| DS 575-1q | Light | VI | - | |
| DS 575-1r | Light | VI | - | |
| DS 575-1s | Light | VI | - | |
| DS 575-2h | Light | VI | 245 | |
| DS 575-2i | Light | VI | - | |
| DM 575-3f | Light | | 249 | |
| DM 575-6 | Housing | VI | 242 | |
| DM 575-6a | Housing | VI | - | |
| DM 575-8 | Gasket | VI | 249 | |
| DM 575-9b | Light | VI | 242 | |
| DM 575-9c | Light | VI | - | |
| D 575-11 | Spring | VI | - | |
| DM 575-13 | Glass | VI | 249 | |
| DS 575-13 | Glass | VI | - | |
| DS 575-15f | Housing | | - | |
| DS 575-15g | Housing | | - | |
| DS 575-20 | Cover | VI | 245 | |
| DS 575-20a | Cover | VI | - | |
| DM 575-24 | Lamp | VI | 249 | |
| DS 575-24 | Lamp | VI | - | |
| DM 575-26 | Collar | VI | - | |
| DS 575-28b | Reflector | VI | 242 | |
| DM 575-66 | Housing | | 249 | |
| DM 575-66a | Housing | | - | |
| DS 575-68 | Bracket | | 242-341 | |
| DS 575-68a | Bracket | | - | |
| DS 575-69 | Bracket | | - | |
| DS 575-69a | Bracket | | - | |
| DS 575-73a | Gasket | VI | 249 | |
| D 575-91 | Spring | VI | 242 | |
| DM 575-100 | Housing | VI | 249 | |
| DM 575-100a | Housing | VI | - | |

| NUMBER | DESCRIPTION | Section | Page No. | REMARKS |
|-------------|--------------------|---------|----------|---------|
| DS 575-103 | Bracket | | 249 | |
| DS 575-103a | Bracket | | - | |
| DM 576-02 | Switch | VI | 245-249 | |
| DM 576-02a | Switch | VI | - | |
| DM 576-02b | Switch | VI | 245 | |
| DM 576-98 | Control rod | | 245-249 | |
| DM 578-2 | Number plate | | 268 | |
| DS 579-04 | Reflector | VI | 245 | |
| DS 579-04a | Reflector | VI | - | |
| DM 579-1b | Reflector | VI | - | |
| DM 579-1d | Reflector | VI | 249 | |
| DM 579-1e | Reflector | VI | 245 | |
| DS 579-1 | Reflector | VI | - | |
| DS 579-1a | Reflector | VI | 249 | |
| DM 579-3 | Gasket | VI | 245 | |
| DM 579-3a | Gasket | VI | - | |
| DS 579-3 | Gasket | VI | 249 | |
| DS 579-95 | Gasket | VI | 245 | |
| DM 611-1 | Mechanism | | 101 | |
| DM 611-10 | Bracket | | - | |
| DM 611-74 | Spacer | VI | - | |
| DM 611-75 | Bracket | | - | |
| DM 611-79 | Spring | VI | - | |
| DM 611-82 | Stud | VI | - | |
| DS 611-90 | Barrel | VI | - | |
| DM 611-98 | Bolt | | - | |
| DM 614-02 | Switch..... | VI | 221 | |
| DM 615-01 | Bumper | | 263 | |
| DM 615-01e | Bumper | | 267 | |
| DS 615-01b | Bumper | | 263 | |
| DS 615-01c | Bumper | | 267 | |
| DM 615-02 | Bumper | | 268 | |
| DS 615-02f | Bumper | | - | |
| DS 615-011a | Bumper | | - | |
| D 615-1 | Bracket | | 263 | |
| D 615-1a | Bracket | | - | |
| D 615-7 | Stop | | 263-268 | |
| D 615-8b | Bracket | | 268 | |
| D 615-8c | Bracket | | - | |
| DS 615-8d | Bracket | | - | |
| DS 615-8e | Bracket | | - | |
| DM 615-9 | Bumper | | - | |
| DS 615-9b | Bumper | | - | |
| DM 615-10 | Bumper | | - | |
| DS 615-10d | Bumper | | - | |
| DM 615-12 | End bracket..... | | - | |
| DM 615-12a | End bracket..... | | - | |

| NUMBER | DESCRIPTION | Section | Page No. | REMARKS |
|------------|-----------------------|---------|----------|---------|
| DS 615-12 | End bracket | | 268 | |
| DS 615-12a | End bracket | | - | |
| DS 615-12d | End bracket | VI | - | |
| DS 615-12e | End bracket | VI | - | |
| DM 615-13 | Bumper | | 263 | |
| DS 615-13b | Bumper | | - | |
| DS 615-13c | Bumper | | 267 | |
| DM 615-14 | Half bumper bar | | 263 | |
| DM 615-14a | Half bumper bar | | - | |
| DS 615-14d | Half bumper bar | | - | |
| DS 615-14e | Half bumper bar | | - | |
| DS 615-14j | Half bumper bar | | 267 | |
| DS 615-14k | Half bumper bar | | - | |
| D 615-16 | Spacer | | 263 | |
| DS 615-16 | Number plate | | 267 | |
| D 615-17 | Bracket | | 263 | |
| D 615-17a | Bracket | | - | |
| DM 615-17 | Bracket | | - | |
| DM 615-17a | Bracket | | - | |
| DS 615-17b | Bracket | | - | |
| DS 615-17c | Bracket | | - | |
| DS 615-17d | Bracket | | 267 | |
| DS 615-17e | Bracket | | - | |
| DM 615-18 | End bracket | | 263 | |
| DM 615-18a | End bracket | | - | |
| DS 615-18 | End bracket | | - | |
| DS 615-18a | End bracket | | - | |
| DS 615-18d | End bracket | VI | - | |
| DS 615-18e | End bracket | VI | - | |
| DS 615-18f | End bracket | | 267 | |
| DS 615-18g | End bracket | | - | |
| D 615-19 | Finisher | | 268 | |
| D 615-19a | Finisher | | - | |
| DS 615-22 | Buffer | VI | - | |
| DS 615-26 | Bumper | | - | |
| DS 615-26a | Bumper | | - | |
| DS 615-47 | Buffer | VI | 267 | |
| DS 615-47a | Buffer | VI | - | |
| DS 615-48 | Buffer | VI | - | |
| DM 615-49 | Butt strap | VI | - | |
| DS 615-49 | Butt strap | VI | - | |
| D 615-55 | Bracket | | 263 | |
| D 615-55a | Bracket | | - | |
| DS 615-55 | Bracket | | - | |
| DS 615-55a | Bracket | | - | |
| DS 615-56b | Bracket | | 267 | |
| DS 615-56c | Bracket | | - | |

| NUMBER | DESCRIPTION | Section | Page No. | REMARKS |
|------------|---------------------|---------|-------------|---------|
| DM 615-57 | Reinforcement | | 263 | |
| DS 615-57 | Reinforcement | | 267 | |
| D 615-61 | Spacer | | 263 | |
| D 615-62 | Block | | - | |
| D 615-62a | Block | | - | |
| DS 615-65b | Block | | 267 | |
| DS 615-65c | Block | | - | |
| D 615-68 | Beading | | 263 | |
| D 615-73 | Washer | | - | |
| D 615-75 | Washer | | 263-268 | |
| DS 615-82 | Shim | | 267 | |
| DM 615-98 | Bracket | | 263 | |
| DM 615-98a | Bracket | | - | |
| DS 616-87 | Ring | VI | 370 | |
| DS 616-88 | Plate | | - | |
| DS 616-94 | Washer | VI | - | |
| DS 616-97 | Plate | VI | - | |
| DS 621-1 | Spanner | VI | 289 | |
| DS 621-3 | Removal tool | | - | |
| D 622-4 | Strap | | - | |
| DS 622-4 | Strap | | - | |
| D 622-6 | Strap | | - | |
| DS 622-7 | Stand | | - | |
| D 622-8 | Pin | | 300-303 | |
| DS 622-55 | Spanner | | 289 | |
| DS 622-97c | Bracket | | 70-289 | |
| DS 622-99 | Bracket | | 69-289 | |
| D 622-106 | Disc | VI | 289 | |
| DS 623-0 | Jack | VI | - | |
| D 623-61 | Gusset | | 300 | |
| D 623-61a | Gusset | | - | |
| DS 625-1 | Bracket | | 307 | |
| DS 625-96a | Strap | | 289-311 | |
| DM 641-0 | Pulsator | VI | 288 | |
| DM 641-012 | Motor | VI | - | |
| DM 641-19 | Impeller | VI | - | |
| DM 641-20 | Half shell | VI | - | |
| DM 641-21 | Half shell | VI | - | |
| DM 641-22 | Bracket | VI | - | |
| DM 642-01 | Tap | VI | 275 | |
| DM 642-01a | Tap | VI | 280 | |
| DM 642-02 | Group | VI | 275-287 | |
| DS 642-02 | Group | VI | 280 | |
| DW 642-02 | Group | VI | 275-287 | |
| DM 642-04 | Bulb | VI | 275-280-287 | |
| DM 642-011 | Radiator | VI | 275-287 | |
| DS 642-011 | Radiator | | 280 | |

| NUMBER | DESCRIPTION | Section | Page No. | REMARKS |
|------------|-----------------------|---------|---------------|---------|
| DM 642-012 | Motor | VI | 275-287 | |
| DS 642-012 | Motor | VI | 275-280-287 | |
| DM 642-1 | Radiator | VI | 271 | |
| DM 642-1a | Radiator | VI | - | |
| DM 642-8 | Indicator plate | VI | - | |
| DM 642-8a | Indicator plate | VI | 275-280 | |
| DM 642-8b | Indicator plate | VI | - | |
| DM 642-8c | Indicator plate | VI | - | |
| DM 642-9a | Connection | | 9-271 | |
| DM 642-9b | Connection | | - | |
| DM 642-9c | Plate | | 9-275-280-287 | |
| DS 642-9 | Pipe | | 275-280 | |
| DM 642-10 | Indicator plate | VI | 271-275-280 | |
| DM 642-13 | Indicator plate | VI | - | |
| DM 642-14 | Indicator plate | VI | 275-280 | |
| DM 642-14a | Indicator plate | VI | - | |
| DM 642-14b | Indicator plate | VI | - | |
| D 642-17 | Rheostat | VI | 288 | |
| D 642-17a | Rheostat | VI | - | |
| D 642-18 | Housing | VI | - | |
| DM 642-19 | Impeller | VI | 275-287 | |
| DS 642-19 | Impeller | VI | 275-280-287 | |
| DM 642-20 | Bracket | VI | 275-287 | |
| DM 642-20a | Bracket | VI | - | |
| DS 642-20 | Half shell | VI | 280 | |
| DM 642-21 | Housing | VI | 275-287 | |
| DM 642-22 | Volute | VI | - | |
| DM 642-30 | Plate | VI | - | |
| DM 642-31 | Gasket | VI | - | |
| DS 642-48 | Bracket | | 280 | |
| DM 642-51a | Screw | VI | - | |
| D 642-52 | Bracket | VI | 288 | |
| DM 642-54 | Pipe | | 287 | |
| DM 642-55 | Pipe | | - | |
| DM 642-58 | Protector | | - | |
| DM 642-60 | Pipe | VI | - | |
| DM 642-63 | Bracket | | 275 | |
| DS 642-63 | Half shell | VI | 280 | |
| DM 642-68 | Bracket | | 271-275 | |
| DS 642-71a | Plate | | 275-280 | |
| DS 642-73a | Plate | | 275 | |
| DS 642-73b | Bracket | | 280 | |
| DS 642-75 | Gasket | VI | 275-280 | |
| DM 642-78 | Plate | VI | 287 | |
| DA 642-84 | Pipe | | 275-280 | |
| DM 642-84 | Pipe | | 271 | |
| DM 642-85 | Pipe | | 275-280 | |

| NUMBER | DESCRIPTION | Section | Page No. | REMARKS |
|------------|------------------|---------|-------------|---------|
| DM 642-86 | Pipe | | 271 | |
| DM 642-86a | Pipe | | - | |
| DM 642-86b | Pipe | | - | |
| DM 642-93 | Body | VI | 280 | |
| DS 642-96 | Pipe | | 275-280 | |
| DM 642-97 | Pipe | | 287 | |
| DM 642-98 | Pipe | | - | |
| DM 642-100 | Washer | VI | 280 | |
| DS 642-104 | Spring | VI | - | |
| DM 643-02 | Grille | | 271-275-280 | |
| DM 643-03 | Grille | | - | |
| DM 643-2 | Duct | | 271 | |
| DM 643-2a | Duct | | 275 | |
| DM 643-4 | Duct | | 271 | |
| DM 643-4a | Duct | | 275 | |
| DM 643-5 | Duct | | 271-276 | |
| DS 643-5 | Duct | | 280 | |
| DS 643-6 | Duct | VI | 271-280 | |
| DM 643-10c | Duct | | 280 | |
| DM 643-10d | Duct | | 283 | |
| DM 643-17 | Duct | | 271 | |
| DM 643-17a | Duct | | - | |
| DM 643-17d | Duct | | 272-276 | |
| DM 643-17e | Duct | | - | |
| DM 643-17f | Duct | | 271 | |
| DM 643-17g | Duct | | - | |
| DM 643-17h | Duct | | 272-283 | |
| DM 643-17i | Duct | | - | |
| DM 643-19 | Grille | VI | 276 | |
| DS 643-19 | Grille | | 271-283 | |
| DS 643-50 | Bracket | | - | |
| DM 643-52 | Duct | | 271 | |
| DM 643-52a | Duct | | 276 | |
| DS 643-52 | Duct | | 283 | |
| DS 643-53 | Bracket | | 271 | |
| DS 643-53a | Bracket | | 271-283 | |
| DM 643-57 | Connection | | 271 | |
| DM 643-57a | Connection | | - | |
| DS 643-57 | Duct | | 271-283 | |
| DM 643-82a | Duct | VI | 271-276-283 | |
| DM 643-88 | Grille | | 271-276 | |
| D 643-89 | Trim | VI | 271-276-283 | |
| DM 643-91 | Duct | | 271 | |
| DM 643-91a | Duct | | 276 | |
| DM 643-91c | Duct | | 271 | |
| DS 643-103 | Duct | VI | 272-283 | |
| D 643-112 | Clip | VI | 288 | |

| NUMBER | DESCRIPTION | Section | Page No. | REMARKS |
|-------------|------------------|---------|----------------|---------|
| DM 643-112 | Clip | VI | 272-276-283 | |
| D 643-113 | Clip | VI | 288 | |
| D 643-115 | Duct | VI | - | |
| DM 643-115 | Connection | | 272-276-283 | |
| DM 643-116 | Duct | VI | - | |
| DM 643-117 | Bracket | | - | |
| DM 643-119 | Plate | | - | |
| DM 643-134 | Nozzle | VI | 276-283 | |
| D 643-135 | Nozzle | VI | 288 | |
| D 643-137 | Duct | VI | - | |
| DM 643-137 | Duct | | 287 | |
| D 643-138 | Union | VI | 288 | |
| DM 643-138 | Duct | | 287 | |
| D 643-144 | Nozzle | VI | 288 | |
| DM 643-145 | Duct | VI | 287 | |
| DM 643-146 | Nozzle | | - | |
| D 643-149 | Protector | VI | 288 | |
| DM 643-150 | Protector | VI | 287 | |
| DM 643-150a | Protector | VI | - | |
| DM 644-02 | Shutter | | 272-276-283 | |
| DM 644-02a | Shutter | | - | |
| DM 644-2a | Shutter | | - | |
| DM 644-10 | Control | | - | |
| DM 644-17 | Control | | 272 | |
| DM 644-17a | Control | | 283 | |
| DW 644-18 | Control | | 272-276-283 | |
| DM 644-55 | Spring | | - | |
| DM 644-55a | Spring | | - | |
| DM 644-61 | Shutter | | 272 | |
| DM 644-61a | Shutter | | 276-283 | |
| DM 644-66 | Cable | VI | 272-283 | |
| DM 644-68 | Guide | VI | - | |
| DM 644-68a | Guide | VI | 276-283 | |
| DM 644-70 | Spacer | VI | 276-283-287 | |
| DS 644-70 | Spacer | VI | 276-283 | |
| D 644-84 | Knob | VI | 272-276-283 | |
| DM 644-84 | Cable | VI | - | |
| DM 644-86 | Lever | | - | |
| DM 644-87 | Lever | | - | |
| DM 644-91 | Lever | | 272 | |
| DM 644-91a | Lever | | 276-283 | |
| DM 644-94 | Cable | VI | 272-276-283 | |
| DM 644-102 | Spring | | 70-272-276-283 | |
| DM 644-110 | Guide | | 272-276-283 | |
| DM 644-111a | Shutter | | - | |
| DM 644-112a | Shutter | | - | |
| DM 644-114 | Guide | VI | 276-283 | |

| NUMBER | DESCRIPTION | Section | Page No. | REMARKS |
|------------|---------------------|---------|-----------------|---------|
| DM 644-123 | Lining | VI | 272-276-283 | |
| DM 651-2 | Glove box | | 210-214-222 | |
| DM 651-3a | Cover | | 210-214-222-345 | |
| DM 651-5a | Glove box | | 210-222 | |
| DM 651-6a | Cover | | 210-222-346 | |
| DS 651-40 | Map pocket | | 363 | |
| DS 651-40a | Map pocket | | - | |
| DM 651-62b | Knob | VI | 210-214-222 | |
| DM 651-82 | Circlip | | - | |
| DM 651-89 | Spring | | - | |
| DM 651-91 | Buffer | | - | |
| DM 651-92 | Screw | VI | - | |
| D 651-101 | Glove box | VI | 214-222 | |
| DS 651-105 | Clip | | 363 | |
| DM 652-2 | Ash-tray | VI | 210-214-222 | |
| D 652-74 | Cigar lighter | VI | 214-222 | |
| D 652-75 | Ash-tray | VI | 214 | |
| D 652-75a | Ash-tray | VI | - | |
| D 652-78 | Fixing plate | VI | 210-214-222 | |
| DM 652-78 | Fixing plate | VI | - | |
| DM 653-0a | Radio | VI | 254 | |
| DW 653-01 | Aerial | VI | - | |
| DM 653-05 | Assembly | VI | - | |
| DW 653-1 | Condenser | VI | - | |
| DW 653-10 | Loudspeaker | VI | - | |
| DW 653-47 | Surround | | - | |
| DM 653-51 | Clip | VI | - | |
| DW 653-55 | Grille | VI | - | |
| DW 653-56 | Gasket | | - | |
| DW 653-57 | Protector | VI | - | |
| DW 653-58 | Spacer | VI | - | |
| DW 653-59 | Protector | VI | - | |
| DW 653-59a | Protector | VI | - | |
| DW 653-60 | Cable | VI | - | |
| DW 653-69 | Aerial cover | VI | - | |
| DM 653-82 | Buffer | VI | - | |
| DM 741-04b | Front unit | | 292 | |
| DM 741-04c | Front unit | | - | |
| DM 741-04d | Front unit | | - | |
| DM 741-04g | Front unit | | 296 | |
| DM 741-04h | Front unit | | 292 | |
| DM 741-04i | Front unit | | - | |
| DM 741-04k | Front unit | | 296 | |
| DM 741-3 | Front unit | | 292 | |
| DM 741-3a | Front unit | | - | |
| DM 741-3b | Front unit | | 296 | |
| DM 741-3c | Front unit | | - | |

| NUMBER | DESCRIPTION | Section | Page No. | REMARKS |
|-------------|-------------------------|---------|----------|---------|
| D 741-5 | Sidemember | | 292 | |
| D 741-5a | Sidemember | | - | |
| DS 741-5 | Sidemember | | 296 | |
| DS 741-5a | Sidemember | | - | |
| D 741-7 | Front crossmember | | 292 | |
| DS 741-7a | Front crossmember | | 296 | |
| DM 741-50b | Extension | | - | |
| DM 741-50c | Extension | | - | |
| DS 741-50b | Extension | | - | |
| DS 741-50c | Extension | | - | |
| D 741-58 | Panel | | 292-296 | |
| D 741-58a | Panel | | - | |
| DS 741-58b | Panel | | 296 | |
| DS 741-58c | Panel | | - | |
| D 741-59 | Panel | | 292-296 | |
| D 741-59a | Panel | | - | |
| D 741-77 | Crossmember | | 292 | |
| DS 741-78 | Spacer | | 296 | |
| DM 741-91c | Siderail | | - | |
| DM 741-91d | Siderail | | - | |
| DS 741-91a | Siderail | | - | |
| DS 741-91b | Siderail | | - | |
| D 741-99 | Panel | | 292 | |
| DS 741-99 | Panel | | 296 | |
| D 741-100a | Sidemember | | 292 | |
| DM 741-100 | Sidemember | | 292-296 | |
| DM 741-100a | Sidemember | | 296 | |
| D 741-106 | Panel | | 292 | |
| D 741-108 | Felt | | - | |
| D 741-109 | Felt | | 292-296 | |
| DS 742-01 | Rear unit | | 300-303 | |
| D 742-97 | Panel | | - | |
| DB 743-1 | Sidemember | | 300 | |
| DB 743-1a | Sidemember | | - | |
| DB 743-1b | Sidemember | | 303 | |
| DB 743-1c | Sidemember | | - | |
| DM 743-1 | Sidemember | | 300 | |
| DM 743-1a | Sidemember | | - | |
| DS 743-1 | Sidemember | | 303 | |
| DS 743-1a | Sidemember | | - | |
| D 743-2 | Crossmember | | 300 | |
| DS 743-2 | Crossmember | | 303 | |
| DS 743-77 | Panel | | - | |
| DS 743-77a | Panel | | - | |
| D 743-87 | Lining | | 300-303 | |
| D 743-87a | Lining | | - | |
| DF 743-87 | Lining | | - | |

| NUMBER | DESCRIPTION | Section | Page No. | REMARKS |
|------------|-------------------------|---------|-----------------|---------|
| DF 743-87a | Lining | | 300-303 | |
| D 743-90 | Rubber | | 292-296-300-303 | |
| D 743-91 | Rubber | VI | - | |
| D 743-98 | Panel | | - | |
| DS 744-2 | Floor panel | | 303 | |
| DS 744-3 | Floor panel | | 300-303 | |
| DS 744-128 | Plug | | - | |
| DS 744-129 | Plug | | - | |
| D 811-2a | Sidemember, left..... | | 292-296-300-303 | |
| DM 811-2 | Sidemember, right | | - | |
| D 811-67 | Cant rail | | 320 | |
| D 811-75 | Extension | | - | |
| D 811-75a | Extension | | - | |
| D 811-94 | Cant rail | | - | |
| D 811-99 | Cant rail | | - | |
| D 812-1 | Pillar | | 300-303 | |
| D 812-1a | Pillar | | - | |
| D 812-2 | Pillar | | - | |
| D 812-2a | Pillar | | - | |
| DS 812-2 | Pillar | | - | |
| DS 812-2a | Pillar | | - | |
| D 812-72 | Panel | | 292-296 | |
| D 812-72a | Panel | | - | |
| D 812-73 | Panel | | - | |
| D 812-73a | Panel | | - | |
| D 812-79 | Panel | | 300-303 | |
| D 812-79a | Panel | | - | |
| D 812-88 | Pillar | | 292-296 | |
| D 812-88a | Pillar | | - | |
| D 812-90 | Pillar | | - | |
| D 812-90a | Pillar | | - | |
| D 813-3 | Crossmember | | 300-303 | |
| D 813-9 | Crossmember | | - | |
| D 813-66 | Panel | | - | |
| D 813-67 | Crossmember | | - | |
| D 813-92 | Crossmember | VI | 329 | |
| D 813-96 | Crossmember | VI | - | |
| DM 814-64 | Gusset | | 292-296 | |
| D 814-88a | Gusset | | - | |
| D 814-95 | Gusset | | 300-303 | |
| D 814-95a | Gusset | | - | |
| D 814-97 | Reinforcement | | - | |
| D 814-97a | Reinforcement | | - | |
| DS 821-9f | Panel | | 320 | |
| DS 821-9g | Panel | | - | |
| D 821-55 | Lining | | 300-304 | |
| D 821-55a | Lining | | - | |

| NUMBER | DESCRIPTION | Section | Page No. | REMARKS |
|-------------|-------------------|---------|----------|---------|
| D 821-73 | Panel | | 300-304 | |
| D 821-73a | Panel | | - | |
| D 821-74 | Wheel arch | | - | |
| D 821-74a | Wheel arch | | - | |
| D 821-91 | Gusset | | - | |
| D 821-91a | Gusset | | - | |
| D 821-94 | Panel | | - | |
| D 821-94a | Panel | | - | |
| DM 821-104b | Panel | | 320 | |
| DM 821-104c | Panel | | - | |
| DM 821-104f | Panel | | - | |
| DM 821-104g | Panel | | - | |
| DM 822-03b | Crosspiece | | 345-346 | |
| DM 822-04 | Cover | VI | - | |
| DM 822-04a | Cover | VI | 346 | |
| DM 822-04b | Cover | VI | 345 | |
| DM 822-04c | Cover | | 346 | |
| DM 822-05 | Surround | VI | 345 | |
| DM 822-05a | Surround | VI | 346 | |
| DM 822-2b | Panel | | 295-299 | |
| DM 822-2c | Panel | | - | |
| DW 822-2 | Panel | | - | |
| DW 822-2a | Panel | | - | |
| D 822-3 | Panel | | - | |
| DM 822-7a | Crosspiece | | 345 | |
| DM 822-13b | Cover | | - | |
| DM 822-31 | Panel | | 346 | |
| DM 822-52 | Buffer | | 345-346 | |
| DM 822-53 | Cover | | 345 | |
| DM 822-53a | Cover | | 346 | |
| DM 822-54b | Facia panel | | - | |
| DM 822-54e | Facia panel | | 345 | |
| DM 822-54f | Facia panel | | - | |
| DM 822-54g | Facia panel | | 346 | |
| DM 822-64 | Plate | | 345-346 | |
| DA 822-65c | Finisher..... | VI | 349 | |
| DM 822-65b | Finisher..... | VI | - | |
| DM 822-65c | Finisher..... | VI | - | |
| DM 822-65d | Finisher..... | VI | - | |
| DM 822-65e | Finisher..... | VI | - | |
| DM 822-65f | Finisher..... | VI | 350 | |
| DM 822-65p | Finisher..... | VI | 349 | |
| DM 822-65r | Finisher..... | VI | - | |
| DM 822-65s | Finisher..... | VI | - | |
| DM 822-65u | Finisher..... | VI | 350 | |
| DM 822-65v | Finisher..... | VI | - | |
| DM 822-65w | Finisher..... | VI | 349 | |

| NUMBER | DESCRIPTION | Section | Page No. | REMARKS |
|-------------|-------------------|---------|-------------|---------|
| DM 822-65x | Finisher | VI | 349 | |
| DM 822-65z | Finisher | VI | - | |
| DM 822-67 | Moulding | | 345 | |
| DM 822-67a | Moulding | | 346 | |
| DM 822-67c | Moulding | | 345 | |
| DM 822-67d | Moulding | | 346 | |
| DM 822-75 | Rubber | | 345-346 | |
| DM 822-76a | Bracket | | 346 | |
| DM 822-76e | Bracket | | 345 | |
| DM 822-76f | Bracket | VI | 346 | |
| DM 822-82 | Finisher | VI | 349 | |
| DM 822-82a | Finisher | VI | - | |
| DM 822-82b | Finisher | VI | - | |
| DM 822-82c | Finisher | VI | - | |
| DM 822-82d | Finisher | VI | - | |
| DM 822-82e | Finisher | VI | - | |
| DM 822-82f | Finisher | VI | - | |
| DM 822-82g | Finisher | VI | - | |
| DM 822-82h | Finisher | VI | - | |
| DM 822-115a | Finisher | VI | 350 | |
| DM 822-115b | Finisher | VI | - | |
| DM 822-115c | Finisher | VI | - | |
| DM 822-115d | Finisher | VI | - | |
| DM 822-138 | Moulding | VI | 345 | |
| DM 822-141 | Facia panel | | - | |
| DM 822-141a | Facia panel | | 346 | |
| DM 822-141b | Facia panel | | 345 | |
| DM 822-141c | Facia panel | | - | |
| DM 822-141d | Facia panel | | 346 | |
| DM 823-1a | Rear panel | | 300-304 | |
| DS 823-1a | Panel | | - | |
| DS 823-73 | Panel | VI | 342 | |
| DM 825-04b | Roof | | 320 | |
| DS 825-67 | Rubber | | - | |
| DS 825-75 | Plate | VI | - | |
| D 825-90 | Washer | | - | |
| DS 825-91 | Rubber | | - | |
| D 825-92 | Screw | VI | 263-268-324 | |
| D 825-92a | Screw | | 320 | |
| DM 826-2 | Partition | | 352 | |
| DM 826-50 | Partition | | - | |
| D 826-52 | Nut | VI | 329 | |
| DM 826-53 | Trim | VI | 300-304 | |
| DM 826-54 | Trim | VI | - | |
| DM 826-55 | Trim | VI | - | |
| D 826-94 | Framing | VI | 329 | |
| DM 831-02 | Floor panel | | 182 | |

| NUMBER | DESCRIPTION | Section | Page No. | REMARKS |
|------------|------------------------|---------|----------|---------|
| DM 831-97 | Floor panel | | 295 | |
| DM 831-97a | Floor panel | | 299 | |
| DS 841-04 | Door | | 324 | |
| DS 841-04a | Door | | - | |
| D 841-8 | Stop | | - | |
| DS 841-11 | Hinge | VI | 328 | |
| DS 841-11a | Hinge | VI | - | |
| DS 841-13 | Door | | - | |
| DS 841-13a | Door | VI | - | |
| D 841-15 | Rubber | | 324 | |
| DS 841-15a | Rubber | | - | |
| DS 841-15b | Rubber | | - | |
| DM 841-16 | Sealing strip | VI | - | |
| D 841-19 | Panel | | 363 | |
| D 841-20 | Panel | | - | |
| DS 841-22 | Trim | VI | 324 | |
| D 841-53 | Plate | | - | |
| D 841-53a | Plate | | - | |
| D 841-55 | Plate | | - | |
| D 841-55a | Plate | | - | |
| DS 841-56 | Shim | | - | |
| DS 841-56a | Shim | | - | |
| DS 841-56b | Shim | | - | |
| D 841-57 | Protective strip | | 363 | |
| D 841-57a | Protective strip | | - | |
| D 841-58 | Plate | | 324 | |
| D 841-60 | Shim | | - | |
| D 841-60a | Shim | | - | |
| D 841-66 | Retaining strip | | - | |
| D 841-66a | Retaining strip | | - | |
| D 841-67 | Sealing piece | | - | |
| D 841-67a | Sealing piece | | - | |
| DS 841-67 | Rubber | | 328 | |
| DS 841-67a | Rubber | | - | |
| D 841-68 | Reinforcement | | 324 | |
| D 841-68a | Reinforcement | | - | |
| DS 841-68 | Strip | VI | 328 | |
| D 841-74 | Reinforcement | | 324 | |
| D 841-74a | Reinforcement | | - | |
| D 841-79 | Retaining strip | | - | |
| D 841-79a | Retaining strip | | - | |
| D 841-81 | Sealing strip | | - | |
| D 841-81a | Sealing strip | | - | |
| D 841-82 | Clamp | | - | |
| D 841-83 | Spring | | - | |
| D 841-87 | Stop | VI | - | |
| DS 841-90 | Bracket | | - | |

| NUMBER | DESCRIPTION | Section | Page No. | REMARKS |
|-------------|-----------------------|---------|----------|---------|
| DS 841-90a | Bracket | | 324 | |
| D 841-91 | Sealing block..... | | - | |
| D 841-91a | Sealing block..... | | - | |
| DS 841-91 | Rubber | | 328 | |
| DS 841-91a | Rubber | | - | |
| D 841-92 | Bracket | | 324 | |
| D 841-93 | Screw | | - | |
| DS 842-07 | Rear door | | - | |
| DS 842-07a | Rear door | | - | |
| D 842-3 | Strap | | - | |
| D 842-5 | Spring | | - | |
| D 842-15 | Rubber | | - | |
| DS 842-15a | Rubber | | 327 | |
| DS 842-15b | Rubber | | - | |
| DM 842-16 | Lining | VI | - | |
| DS 842-17 | Stop | | 320 | |
| DS 842-17a | Stop | | - | |
| DS 842-17b | Stop | | - | |
| DS 842-17c | Stop | | - | |
| DS 842-20 | Trim | VI | 327 | |
| D 842-56 | Protecting strip..... | | 363 | |
| D 842-56a | Protecting strip..... | | - | |
| D 842-60 | Fixing plate | | 327 | |
| D 842-61 | Seal | | - | |
| D 842-61a | Seal | | - | |
| D 842-66 | Pin | | - | |
| D 842-67 | Washer | | - | |
| D 842-68 | Roller | VI | - | |
| D 842-71 | Pin | | - | |
| D 842-73 | Retaining strip..... | | - | |
| D 842-73a | Retaining strip..... | | - | |
| D 842-74 | Retaining strip..... | | - | |
| D 842-74a | Retaining strip..... | | - | |
| D 842-78 | Link plate | | - | |
| D 842-79 | Retaining strip..... | | - | |
| D 842-88 | Sealing strip | | - | |
| D 842-88a | Sealing strip | | - | |
| D 842-100 | Plate | | - | |
| D 842-100a | Plate | | - | |
| DM 844-07 | Hinge | | 341 | |
| DM 844-07a | Hinge | | - | |
| DS 844-013 | Hinge | VI | 342 | |
| DS 844-013a | Hinge | VI | - | |
| DM 844-19 | Door | | 341 | |
| D 844-23 | Rubber joint | | - | |
| D 844-23a | Rubber joint | | - | |
| DS 844-31 | Door | VI | 342 | |

| NUMBER | DESCRIPTION | Section | Page No. | REMARKS |
|------------|-----------------------|---------|----------|---------|
| D 844-52 | Retaining strip | | 300-304 | |
| D 844-56b | Stay | | 341 | |
| D 844-56c | Stay | | - | |
| DS 844-59 | Spring..... | | - | |
| DS 844-59a | Spring..... | VI | 342 | |
| D 844-61a | Stay | | 341 | |
| D 844-72 | Rubber | | - | |
| DS 844-72 | Lining | VI | 342 | |
| D 844-87 | Rubber | | 341 | |
| D 844-89 | Rubber | | - | |
| DS 844-89 | Rubber | VI | - | |
| DM 844-112 | Bracket | | - | |
| DM 844-113 | Packing | | - | |
| DM 844-117 | Stay | | - | |
| DM 844-120 | Bush | | - | |
| DM 844-121 | Pin | | - | |
| DS 851-03 | Wing | | 315 | |
| DS 851-03a | Wing | VI | - | |
| D 851-4 | Mudflap | | 307-311 | |
| D 851-6 | Bracket | | 312 | |
| D 851-9 | Mudflap | | 312-315 | |
| D 851-9a | Mudflap | | - | |
| D 851-11 | Mudflap | | - | |
| D 851-11a | Mudflap | | - | |
| DS 851-43 | End piece | VI | 315 | |
| DS 851-43a | End piece | VI | - | |
| D 851-51 | Rubber | | 312-315 | |
| D 851-52 | Bracket | | 307 | |
| D 851-52a | Bracket | | - | |
| DS 851-57 | Trim | | 311 | |
| D 851-58 | Washer | | 307 | |
| DM 851-60d | Front wing | | - | |
| DS 851-60a | Front wing | | - | |
| DS 851-60f | Front wing | | 311 | |
| DS 851-60g | Front wing | | - | |
| D 851-61 | Washer | | 307-311 | |
| D 851-62 | Plate | | 307 | |
| DS 851-62 | Bracket | | 307-311 | |
| DS 851-63 | Spring | | - | |
| D 851-64 | Bracket | | 307 | |
| DM 851-67 | Rear wing | | 312 | |
| DM 851-67a | Rear wing | | - | |
| DS 851-67b | Rear wing | | 315 | |
| DS 851-67c | Rear wing | | - | |
| D 851-68 | Rubber | | 312-315 | |
| D 851-70 | Bracket | | - | |
| D 851-72 | Stop | | - | |

| NUMBER | DESCRIPTION | Section | Page No. | REMARKS |
|-------------|-----------------------|---------|----------|---------|
| D 851-77 | Screw | | 312 | |
| DS 851-77 | Screw | | 315 | |
| D 851-78 | Spigot | | 312-315 | |
| D 851-79 | Washer | | 312 | |
| DS 851-79 | Lining | | 307-311 | |
| D 851-81 | Rubber | | 312-315 | |
| D 851-81a | Rubber | | - | |
| D 851-83 | Rubber | | 307-311 | |
| DS 851-85 | Lug | | 268-315 | |
| DS 851-86 | Screw | | 307-311 | |
| D 851-89 | Rubber | | - | |
| D 851-91 | Support | | 307 | |
| D 851-100 | Plate | | 312 | |
| DS 851-100a | Plate | | 315 | |
| D 851-110 | Reinforcement | | 312-315 | |
| D 851-112 | Bracket | | - | |
| D 851-113 | Plate | | 307-311 | |
| D 851-122 | Plate | | 312-315 | |
| D 851-124 | Retaining strip | | 300-304 | |
| D 851-124a | Retaining strip | | - | |
| D 851-126 | Rubber | VI | 312-315 | |
| D 851-131 | Stay | | - | |
| D 851-132 | Rubber | | 307 | |
| D 851-133 | Support | | - | |
| D 851-133a | Support | | - | |
| D 851-134 | Plate | | - | |
| D 851-135 | Plate | | - | |
| D 851-136 | Plate | | - | |
| DS 851-139 | Rubber | VI | 311 | |
| DS 851-139a | Rubber | VI | - | |
| DS 851-142a | Rubber | | - | |
| DS 851-149 | Bracket | | 307-311 | |
| DS 851-151 | Plate | | - | |
| DS 851-157 | Lug | | 315 | |
| DS 851-159 | Bracket | | - | |
| DS 851-160 | Clip | | 245-315 | |
| DS 851-160a | Clip | | 249-315 | |
| DS 852-07 | Hinge mechanism | | 316 | |
| DS 852-07a | Hinge mechanism | | - | |
| DS 852-2b | Bonnet | | - | |
| DS 852-2c | Bonnet | | - | |
| DS 852-52 | Plate | | - | |
| D 852-64 | Bracket | | - | |
| D 852-64a | Bracket | | - | |
| D 852-69 | Stop | | - | |
| DM 852-91 | Stop | | 307-311 | |
| DM 852-92 | Stop | | 316 | |

| NUMBER | DESCRIPTION | Section | Page No. | REMARKS |
|-------------|----------------------|---------|-------------|---------|
| DS 852-106 | Stay | | 316 | |
| D 852-116 | Rubber | | - | |
| DS 852-122 | Catch | | - | |
| DS 852-122a | Catch | | - | |
| DS 852-123 | Catch | | - | |
| D 852-124 | Sealing strip | | - | |
| DS 852-126 | Securing strip | | - | |
| DS 852-128 | Pin | | - | |
| D 853-1a | Panel | | 295 | |
| D 853-66 | Rubber | | 341 | |
| DM 853-69a | Panel | | 345-346 | |
| DM 853-76a | Panel | | 345 | |
| DS 853-76b | Panel | | 346 | |
| D 853-81 | Rubber | | 312 | |
| DS 853-81 | Rubber | | 312-315-327 | |
| DS 853-84 | Rubber | | 299 | |
| DS 853-87 | Panel | | - | |
| DS 853-87a | Panel | | - | |
| DM 853-90 | Covering | | 295 | |
| DS 853-99 | Panel | | 299 | |
| D 853-101 | Trim | VI | 329 | |
| D 853-102 | Trim | VI | - | |
| D 853-103 | Trim | VI | - | |
| D 853-104 | Trim | VI | - | |
| D 853-105 | Trim strip | VI | - | |
| D 853-106 | Trim strip | VI | - | |
| D 853-107 | Trim | VI | - | |
| D 853-108 | Trim | VI | - | |
| D 853-109 | Moulding | VI | - | |
| D 853-110 | Panel | VI | - | |
| DM 854-3 | Protector | | 289 | |
| DM 854-3a | Embellisher | | - | |
| DM 854-3b | Embellisher | | - | |
| D 854-4 | Chevron | | 341 | |
| DM 854-4 | Chevron | | - | |
| DS 854-30 | Beading | VI | 328 | |
| DS 854-31 | Tread plate | VI | - | |
| DS 854-31a | Tread plate | VI | - | |
| DS 854-32 | Panel | VI | - | |
| DS 854-32a | Panel | VI | - | |
| DS 854-33 | Beading | VI | - | |
| DS 854-34 | Lining | VI | - | |
| DS 854-34a | Lining | VI | - | |
| DS 854-35 | Wing protector | VI | 315 | |
| DS 854-35a | Wing protector | VI | - | |
| DS 854-38 | Cover | VI | 365 | |
| DS 854-39 | Finisher | VI | - | |

| NUMBER | DESCRIPTION | Section | Page No. | REMARKS |
|------------|----------------|---------|----------|---------|
| DS 854-39a | Finisher | VI | 365 | |
| DS 854-40 | Beading | VI | 328 | |
| DS 854-40a | Beading | VI | - | |
| DS 854-41 | Beading | VI | - | |
| DS 854-41a | Beading | VI | - | |
| DS 854-42 | Beading | VI | 308-311 | |
| DS 854-42a | Beading | VI | - | |
| DS 854-43 | Beading | VI | 315 | |
| DS 854-43a | Beading | VI | - | |
| DS 854-44 | Beading | VI | 328 | |
| DS 854-44a | Beading | VI | - | |
| DS 854-45 | Beading | VI | 308-311 | |
| DS 854-45a | Beading | VI | - | |
| DS 854-46 | Finisher | VI | 320 | |
| DS 854-46a | Finisher | VI | - | |
| DS 854-47 | Finisher | VI | - | |
| DS 854-47a | Finisher | VI | - | |
| D 854-56 | Moulding | VI | 329 | |
| D 854-57 | Moulding | VI | - | |
| DM 854-71 | Finisher | | 320 | |
| DS 854-73 | Clip | | - | |
| DM 854-75 | Finisher | | - | |
| DM 854-75a | Finisher | | - | |
| DM 854-75b | Finisher | | - | |
| DM 854-76 | Finisher | | - | |
| DM 854-76a | Finisher | | - | |
| DM 854-76b | Finisher | | - | |
| DS 854-77 | Washer | | 341 | |
| D 854-81 | Grille | VI | 329 | |
| DM 854-82 | Finisher | | 320 | |
| DM 854-82a | Finisher | | - | |
| DM 854-82b | Finisher | | - | |
| DM 854-82c | Finisher | | - | |
| DS 854-82 | Finisher | | - | |
| DS 854-82a | Finisher | | - | |
| D 854-83b | Finisher | | - | |
| D 854-83c | Finisher | | - | |
| DM 854-83 | Finisher | | - | |
| DM 854-83a | Finisher | | - | |
| DM 854-83d | Finisher | | 323 | |
| DM 854-83e | Finisher | | - | |
| DM 854-83f | Finisher | | - | |
| DM 854-83g | Finisher | | - | |
| DS 854-83 | Finisher | | - | |
| DS 854-83a | Finisher | | - | |
| DS 854-84d | Finisher | | - | |
| DS 854-84e | Finisher | | - | |

| NUMBER | DESCRIPTION | Section | Page No. | REMARKS |
|------------|----------------------|---------|-----------------------|---------|
| DM 854-85 | Moulding | | 323 | |
| DS 854-85b | Moulding | | - | |
| DM 854-90 | Spring | | 289 | |
| DM 854-91 | Butt strap | | 323 | |
| DS 854-91a | Butt strap | | - | |
| DM 854-93 | Moulding | | - | |
| DM 854-93a | Moulding | | - | |
| DS 854-93b | Moulding | | - | |
| DS 854-93c | Moulding | | - | |
| DM 854-94 | Moulding | | - | |
| DM 854-94a | Moulding | | - | |
| DM 854-94b | Finisher | | - | |
| DM 854-94c | Finisher | | - | |
| DS 854-94b | Moulding | | - | |
| DS 854-94c | Moulding | | - | |
| D 854-95 | Beading | VI | 329 | |
| D 854-96 | Beading | VI | - | |
| DM 854-100 | Finisher | | 323 | |
| D 861-05 | Catch | | 316 | |
| D 861-5 | Lock | VI | 330 | |
| D 861-7 | Lock | VI | - | |
| D 861-7a | Lock | VI | - | |
| DS 861-8 | Handle | | - | |
| DS 861-8a | Handle | | - | |
| D 861-9 | Lock | VI | - | |
| DS 861-13b | Set of barrels | VI | 330-341 | |
| D 861-16 | Spring | VI | 330 | |
| DS 861-18b | Button | VI | 330-341 | |
| DS 861-19a | Button | VI | 330 | |
| DS 861-21 | Spring | | 330-341 | |
| D 861-22 | Latch | | 341 | |
| D 861-23 | Locking plate | | 330 | |
| D 861-24 | Handle | | - | |
| D 861-24a | Handle | | - | |
| DM 861-24 | Handle | | - | |
| DM 861-24a | Handle | | - | |
| DS 861-33 | Circlip | VI | 330-341 | |
| D 861-34 | Spring | | 341 | |
| DS 861-35b | Barrel | VI | 330-341 | |
| D 861-36 | Bolt | | 316 | |
| D 861-37 | Lock | | - | |
| D 861-37a | Lock | | - | |
| D 861-38 | Control | | - | |
| DS 861-43 | Barrel | VI | 57-61-209- 213-221 | |
| D 861-51 | Washer | | 341 | |
| D 861-53 | Pin | | - | |
| D 861-57 | Striking plate | | - | |

| NUMBER | DESCRIPTION | Section | Page No. | REMARKS |
|-------------|-----------------------|---------|-------------|---------|
| DS 861-59b | Guide | VI | 341 | |
| D 861-62 | Pin | | 330 | |
| D 861-63 | Spring | | - | |
| D 861-70 | Control rod | | - | |
| D 861-74 | Washer | | - | |
| DS 861-76 | Handle | VI | - | |
| DS 861-76a | Handle | VI | - | |
| D 861-79b | Striking plate | VI | - | |
| D 861-79c | Striking plate | VI | - | |
| D 861-84 | Washer | VI | - | |
| D 861-98 | Screw | | - | |
| D 861-98a | Screw | | - | |
| D 861-98b | Screw | | 341 | |
| D 861-100 | Spring | VI | 330 | |
| D 861-101 | Nut..... | | 287-330-341 | |
| D 861-102 | Locking pin | VI | 330-341 | |
| DS 861-102a | Locking pin | VI | - | |
| D 861-104 | Lockwasher | | 341 | |
| D 861-105 | Nut | | - | |
| D 861-107 | Housing | | - | |
| D 861-109 | Lug | | 342 | |
| D 861-110 | Stop | | - | |
| DS 861-112 | Grommet | | - | |
| D 861-116 | Plate | VI | 330 | |
| D 861-117a | Locking finger | | - | |
| DM 861-117 | Locking finger | VI | 330 | |
| D 861-118 | Washer | VI | - | |
| D 861-119 | Screw | | - | |
| D 861-120 | Washer | VI | - | |
| D 861-121 | Escutcheon | | - | |
| D 861-122 | Cup | | 316 | |
| D 861-123 | Spring | | - | |
| DS 861-129 | Pipe | VI | 342 | |
| DS 861-132 | Cup | VI | 330-342 | |
| D 861-136 | Spring | | 316-354-360 | |
| D 861-149 | Plate | | 330 | |
| D 861-150 | Lever | | 316 | |
| D 861-151 | Cable | VI | - | |
| D 861-154 | Plate | | - | |
| D 861-155 | Fixing plate | | - | |
| D 861-157 | Sheath | VI | 222 | |
| DS 861-157a | Sheath | VI | - | |
| D 861-158 | Adjusting plate | VI | 330 | |
| D 861-158a | Adjusting plate | VI | - | |
| D 861-159 | Sheath | VI | 316 | |
| D 861-162 | Spring | | - | |
| DS 861-165a | Control | | - | |

| NUMBER | DESCRIPTION | Section | Page No. | REMARKS |
|-------------|-------------------|---------|-----------------------------|---------|
| DS 861-166 | Bush | | 316 | |
| DS 861-167 | Trunnion | VI | - | |
| DS 861-189 | Clip | | 311 | |
| D 912-4 | Lever | | 353-354 | |
| D 912-4a | Lever | | 353-354-359 | |
| DM 912-4 | Lever | | 354-359 | |
| D 912-10 | Knob | VI | 353-354-355- 356-359-360 | |
| DM 912-19b | Trim | | 352 | |
| DM 912-20c | Trim | | - | |
| DS 912-62 | Framing | VI | 359-360 | |
| D 912-66 | Lining | VI | - | |
| D 912-78 | Support | | 353-354 | |
| D 912-79 | Support | | - | |
| D 912-80 | Stop | | - | |
| D 912-85 | Spring | | 353-354-355-359 | |
| DM 912-113a | Frame | | 354 | |
| DM 912-113e | Frame | | - | |
| DS 922-10 | Trim | VI | 356 | |
| DF 922-12 | Lever | VI | 355-356 | |
| DF 922-12a | Lever | VI | - | |
| DM 922-12 | Lever | | - | |
| DF 922-13 | Locking pin | VI | - | |
| DM 922-13 | Locking pin | | 355 | |
| DF 922-49a | Slide | VI | 355-356 | |
| DF 922-50a | Slide | VI | - | |
| DS 922-53 | Lining | | 352 | |
| DS 922-58 | Lining | | - | |
| DB 922-62 | Frame | | 355 | |
| DS 922-62 | Frame | | 355-356 | |
| DM 922-114 | Link | | 355 | |
| DF 922-114a | Cable | VI | 356 | |
| DF 922-115b | Slide | VI | 355-356 | |
| DF 922-118 | Support | VI | - | |
| DF 922-118a | Support | VI | - | |
| DM 922-118 | Support | | 353-354-355-359 | |
| DM 922-118a | Support | | - | |
| DM 922-119 | Stop | VI | - | |
| DB 922-146 | Panel | | 356 | |
| DF 922-147b | Lining | | - | |
| DF 922-164 | Spring | VI | 355-356 | |
| DF 922-169 | Roller | VI | - | |
| DF 922-183 | Stop | VI | - | |
| DS 923-1 | Trim | | 352 | |
| DS 923-1a | Trim | | - | |
| DM 923-2b | Trim | | - | |
| DS 923-2 | Trim | | - | |

| NUMBER | DESCRIPTION | Section | Page No. | REMARKS |
|-------------|-------------------|---------|-------------|---------|
| DS 923-2a | Trim | | 352 | |
| DM 923-5b | Spring case | | - | |
| DM 923-5c | Spring case | | - | |
| DM 923-5d | Spring case | | - | |
| DS 923-5 | Spring case | | - | |
| DM 923-10 | Spring case | | - | |
| DS 923-10 | Spring case | | - | |
| DM 923-10a | Spring case | | - | |
| DM 923-11b | Trim | | - | |
| DS 923-11 | Trim | | - | |
| D 923-21a | Squab | VI | 356 | |
| D 923-22a | Cushion | VI | - | |
| D 923-90a | Bush | | 352 | |
| D 923-92 | Cup | | - | |
| D 923-100 | Angle plate | VI | 356 | |
| D 923-107 | Lug | VI | - | |
| D 923-107a | Lug | VI | - | |
| D 923-120 | Yoke | VI | - | |
| D 923-121 | Pin | VI | - | |
| DM 923-128a | Hook | | 352 | |
| DM 923-135a | Hook | | - | |
| DS 932-011 | Seat | | 359 | |
| DS 932-011a | Seat | | - | |
| DS 932-011b | Seat | | 360 | |
| DS 932-011c | Seat | | - | |
| DS 932-3 | Lining | | 352 | |
| DS 932-3a | Lining | | - | |
| DS 932-7 | Lining | | - | |
| DS 932-7a | Lining | | - | |
| DS 932-9a | Knob | VI | 353 | |
| DS 932-21 | Panel | VI | 359 | |
| DS 932-24 | Control | VI | - | |
| DS 932-24a | Control | VI | - | |
| DS 932-24b | Control | VI | 360 | |
| DS 932-24c | Control | VI | - | |
| DS 932-76b | Lining | | 353-354 | |
| DS 932-76c | Lining | | 360 | |
| DS 932-79 | Panel | | 354 | |
| DS 932-79a | Panel | | 354-359-360 | |
| DS 932-81a | Hinge pin | | 353 | |
| DS 932-81b | Hinge pin | VI | 359-360 | |
| DS 932-82 | Pad | VI | 353 | |
| DS 932-82a | Pad | VI | 359-360 | |
| DS 932-84 | Spring case | | 353 | |
| DS 932-84a | Spring case | | - | |
| DS 932-84c | Spring case | | 359 | |
| DS 932-84d | Spring case | | 360 | |

| NUMBER | DESCRIPTION | Section | Page No. | REMARKS |
|-------------|----------------------|---------|-------------|---------|
| DS 932-90 | Spring case | | 353 | |
| DS 932-90a | Spring case | | 359-360 | |
| DS 932-99b | Nylon casing | VI | 353 | |
| DS 932-99c | Nylon casing | VI | - | |
| DS 932-118 | Packing piece | | 353-354-359 | |
| DS 932-119 | Spring | | 359-360 | |
| DS 932-119a | Spring | | - | |
| DS 932-130 | Ball pin | VI | - | |
| DS 932-140 | Knob | VI | 359 | |
| DS 932-147 | Lever | | 354-360 | |
| DS 932-149 | Cable | VI | - | |
| DS 932-150 | Spacer | VI | - | |
| DS 932-151 | Locking finger | | - | |
| DS 932-152 | Spring | | - | |
| DS 932-153 | Bracket | | - | |
| DS 932-153a | Bracket | | - | |
| DS 932-156 | Stop | | - | |
| D 941-1 | Arm-rest | VI | 363 | |
| D 941-1a | Arm-rest | VI | - | |
| DM 941-1 | Arm-rest | | 364 | |
| D 941-2 | Padding | VI | 363 | |
| D 941-2a | Padding | VI | - | |
| DM 941-3 | Lining | | 364 | |
| DS 941-78 | Lining | | 352 | |
| DS 941-82a | Arm-rest | | - | |
| DM 941-91 | Cage | | 364 | |
| DS 941-91 | Panel | | 352 | |
| DS 942-73 | Ferrule | VI | 353-354-360 | |
| DS 942-78 | Head-rest | | - | |
| DM 942-94 | Head-rest | | 365 | |
| DM 942-94a | Head-rest | | - | |
| D 944-1 | Handle | VI | 329 | |
| D 944-1a | Handle | VI | - | |
| D 944-98 | Escutcheon | VI | - | |
| D 944-99 | Escutcheon | VI | - | |
| D 961-08 | Window winder | VI | 333-337-338 | |
| D 961-08a | Window winder | VI | - | |
| DS 961-08 | Window winder | VI | - | |
| DS 961-08a | Window winder | VI | - | |
| D 961-016 | Window winder | VI | 329 | |
| D 961-2 | Glass | VI | - | |
| D 961-3a | Glass | VI | 351 | |
| DS 961-3a | Glass | VI | - | |
| DS 961-3c | Glass | VI | - | |
| DS 961-4 | Glass | VI | 333 | |
| DS 961-4b | Glass | VI | 337 | |
| DS 961-4c | Glass | VI | 333-338 | |

| NUMBER | DESCRIPTION | Section | Page No. | REMARKS |
|------------|----------------------|---------|-------------|---------|
| DS 961-4d | Glass | VI | 329 | |
| DS 961-4f | Glass | VI | - | |
| DS 961-6 | Glass | VI | 333 | |
| DS 961-6b | Glass | VI | 337 | |
| DS 961-6c | Glass | VI | 338 | |
| DS 961-7 | Glass | VI | 351 | |
| DS 961-7b | Glass | VI | - | |
| DS 961-7d | Glass | VI | - | |
| DS 961-7e | Glass | VI | - | |
| DS 961-8 | Bottom channel | | 333 | |
| DS 961-8a | Bottom channel | | - | |
| DS 961-8b | Bottom channel | | 337-338 | |
| DS 961-8c | Bottom channel | | - | |
| DS 961-9 | Bottom channel | | 333 | |
| DS 961-9a | Bottom channel | | - | |
| DS 961-9b | Bottom channel | | 337-338 | |
| DS 961-9c | Bottom channel | | - | |
| DM 961-17 | Rubber | | 351 | |
| DS 961-19 | Sealing strip | VI | 333-337-338 | |
| DS 961-19a | Sealing strip | VI | - | |
| DM 961-23a | Handle | | 333 | |
| DS 961-23 | Handle | | 337 | |
| DW 961-23 | Handle | | 337-338 | |
| D 961-26 | Escutcheon | | - | |
| DM 961-26a | Escutcheon | VI | 333 | |
| D 961-27 | Rubber | | 351 | |
| D 961-29 | Rubber | | - | |
| DS 961-29 | Rubber | | - | |
| DS 961-30b | Sealing strip | | 333-337-338 | |
| DS 961-30c | Sealing strip | VI | 329 | |
| DS 961-30d | Sealing strip | VI | - | |
| DS 961-31c | Sealing strip | | 333-337-338 | |
| D 961-36 | Handle | VI | 329 | |
| DS 961-40 | Rubber | VI | 328 | |
| DS 961-40a | Rubber | VI | - | |
| DS 961-41 | Rubber | VI | - | |
| DS 961-41a | Rubber | VI | - | |
| D 961-48 | Wiper | VI | 329 | |
| DS 961-48 | Lining | VI | - | |
| DS 961-48a | Lining | VI | - | |
| D 961-49 | Bottom channel | VI | - | |
| D 961-53 | Surround | | 323 | |
| DS 961-56 | Pressure pad | | 351 | |
| DS 961-57 | Glass guide | | 333-338 | |
| DS 961-57a | Glass guide | | - | |
| DS 961-57b | Glass guide | | 337 | |
| DS 961-57c | Glass guide | | - | |

| NUMBER | DESCRIPTION | Section | Page No. | REMARKS |
|-------------|---------------------|---------|-------------|---------|
| D 961-67 | Washer | VI | 333-337-338 | |
| DS 961-74 | Rubber | | 333-337 | |
| DS 961-74b | Rubber | | 333-338 | |
| D 961-75 | Surround | | 295-299 | |
| D 961-75a | Surround | | - | |
| DS 961-79 | Runner | VI | 329 | |
| DS 961-79a | Runner | VI | - | |
| D 961-80 | Plug | | 295-299-327 | |
| DS 961-81 | Glass guide | | 333-338 | |
| DS 961-81a | Glass guide | | - | |
| DS 961-81b | Glass guide | | 337 | |
| DS 961-81c | Glass guide | | - | |
| D 961-83 | Sealing | VI | 329 | |
| D 961-95 | Plug | | 327 | |
| DM 961-98 | Rubber | | 351 | |
| D 961-100 | Escutcheon | VI | 329 | |
| D 961-112 | Lockwasher | VI | 333-337-338 | |
| D 961-113 | Slide | VI | 329 | |
| D 961-115 | Reinforcement | | 323 | |
| DS 961-118 | Wedge | | 333-337 | |
| D 961-123 | Friction cup | | 333-337-338 | |
| D 961-124 | Spring | | - | |
| D 961-133 | Pressure pad | | 351 | |
| D 961-133a | Pressure pad | | - | |
| DS 961-133 | Pressure pad | | - | |
| DS 961-133a | Pressure pad | | - | |
| D 961-134 | Rubber | | - | |
| DS 961-134 | Rubber | | - | |
| DS 961-135 | Stop | VI | 333-337-338 | |
| DS 961-146 | Rubber | | 351 | |
| D 961-147 | Reinforcement | | 323 | |
| D 961-150 | Pressure pad | | 351 | |
| DM 961-150 | Pressure pad | | - | |
| DS 961-151 | Rubber | | - | |
| DS 961-161b | Surround | | - | |
| DS 961-163 | Pressure pad | VI | - | |
| DS 961-175 | Slide | VI | 333 | |
| DS 961-175a | Slide | VI | - | |
| DS 961-175b | Slide | VI | 337 | |
| DS 961-175c | Slide | VI | - | |
| DS 961-175d | Slide | VI | 333-338 | |
| DS 961-175e | Slide | VI | - | |
| D 961-179 | Spring | VI | 329 | |
| DS 961-180 | Protector | VI | 333-337-338 | |
| DS 961-184 | Screw | | 351 | |
| DS 961-185 | Washer | VI | - | |
| DS 961-189 | Reinforcement | | 295-299-351 | |

| NUMBER | DESCRIPTION | Section | Page No. | REMARKS |
|------------|----------------------|---------|----------|---------|
| DS 971-38 | Handle | VI | 365 | |
| DS 971-39 | Plate | VI | - | |
| DS 971-39a | Plate | VI | - | |
| DS 971-49 | Pin | VI | - | |
| DS 971-50 | Spring | VI | - | |
| DS 971-54 | Spring | VI | - | |
| DS 971-56 | Screw | VI | - | |
| DS 971-81 | Beading | VI | - | |
| DS 971-81a | Beading | VI | - | |
| DS 972-01 | Hood | VI | - | |
| DS 972-3 | Cover | VI | - | |
| DM 981-1b | Carpet (front) | - | - | |
| DM 981-1d | Carpet (front) | - | - | |
| DM 981-1e | Carpet (front) | - | - | |
| DM 981-1g | Carpet (front) | - | - | |
| DM 981-1h | Carpet (front) | - | - | |
| DM 981-1p | Carpet (front) | - | - | |
| DM 981-1q | Carpet (front) | - | - | |
| DM 981-1r | Carpet (front) | VI | - | |
| DM 981-1u | Carpet (front) | VI | - | |
| DM 981-1v | Carpet (front) | - | - | |
| DM 981-1y | Carpet (front) | - | - | |
| DM 981-2 | Carpet (rear) | - | - | |
| DM 981-2f | Carpet (rear) | - | - | |
| DS 981-2a | Carpet (rear) | - | - | |
| DS 981-2e | Carpet (rear) | - | - | |
| DM 981-3b | Carpet (front) | - | - | |
| D 981-7 | Carpet (front) | VI | - | |
| DM 981-7 | Carpet (front) | VI | - | |
| D 981-8 | Carpet (rear) | VI | - | |
| DS 981-8 | Carpet (rear) | - | - | |
| DS 981-8a | Carpet (rear) | VI | - | |
| DS 981-48 | Lining | - | 369 | |
| DS 981-49 | Lining | VI | 328 | |
| DS 981-67 | Lining | - | 369 | |
| DS 981-67a | Lining | - | - | |
| DS 981-67b | Lining | - | - | |
| DS 981-67c | Lining | - | - | |
| DM 981-78 | Lining | - | 366 | |
| DM 981-78a | Lining | - | - | |
| DM 981-78b | Lining | - | - | |
| DM 981-78c | Lining | - | 369 | |
| DM 981-81 | Lining | - | 366 | |
| DM 981-81b | Lining | - | 369 | |
| DS 981-81 | Lining | - | 366 | |
| DM 981-83h | Lining | - | - | |
| DS 981-83m | Lining | - | - | |

| NUMBER | DESCRIPTION | Section | Page No. | REMARKS |
|-------------|----------------|---------|----------|---------|
| DM 981-85 | Lining | - | 366 | |
| DM 981-117 | Frame | - | 327-366 | |
| DM 981-118 | Frame | - | - | |
| DS 981-127 | Lining | VI | 366 | |
| DS 981-127a | Lining | - | 369 | |
| DS 981-129 | Lining | - | 366 | |
| DS 981-129a | Lining | - | 369 | |
| D 981-133 | Lining | VI | 366 | |
| D 981-133a | Lining | VI | - | |
| D 981-134 | Lining | VI | - | |
| D 981-134a | Lining | VI | - | |
| DS 981-138 | Clip | VI | 365 | |
| DS 981-146 | Plate | - | - | |
| DS 982-46 | Lining | - | 319 | |
| DS 982-46a | Lining | - | - | |
| DS 982-46b | Lining | - | - | |
| DS 982-46d | Lining | - | - | |
| DS 982-54b | Lining | - | 369 | |
| DS 982-58b | Lining | - | 365-369 | |
| DS 982-68b | Lining | VI | 307 | |
| DS 982-68c | Lining | VI | - | |
| DS 982-69b | Lining | VI | - | |
| DS 982-69c | Lining | VI | - | |
| DS 982-81b | Lining | - | 365-369 | |
| DM 982-109 | Lining | - | 307 | |
| DM 982-109a | Lining | - | - | |
| DM 983-1 | Panel | - | 363 | |
| DM 983-1b | Panel | - | 364 | |
| DS 983-1f | Panel | - | 363 | |
| DS 983-1g | Panel | - | - | |
| DS 983-1h | Panel | - | - | |
| DS 983-1k | Panel | - | - | |
| DS 983-1n | Panel | - | - | |
| DS 983-1p | Panel | - | - | |
| DM 983-2b | Panel | - | 364 | |
| DS 983-2f | Panel | - | 363 | |
| DS 983-2g | Panel | - | - | |
| DS 983-10 | Moulding | VI | - | |
| DS 983-10a | Moulding | VI | - | |
| DS 983-11 | Moulding | VI | - | |
| DS 983-11a | Moulding | VI | - | |
| DM 983-12b | Panel | - | 364 | |
| DM 983-13b | Panel | - | - | |
| DS 983-53 | Lining | - | 363 | |
| DS 983-53a | Lining | - | - | |
| DS 983-58 | Lining | - | - | |
| DS 983-58a | Lining | - | - | |

SUPPLEMENTARY INDEX

| NUMBER | DESCRIPTION | Section | Page No. | REMARKS |
|----------|---------------|---------|--|---------|
| 4-S | Screw | R. III | 249 | |
| 62-S | Screw | R. III | 77-256-271- 275-280 | |
| 63-S | Screw | R. III | 345-346 | |
| 64-S | Screw | R. III | 319 | |
| 76-S 30 | Screw | R. III | 45 | |
| 83-S | Screw | R. III | 157 | |
| 106-S 30 | Screw | R. III | 345-346 | |
| 123-S | Screw | R. III | 38-69-272- 276-283-312- 315-319 | |
| 124-S 30 | Screw | R. III | 45-106-121- 205-241-246- 287-307-312- 327 | |
| 125-S | Screw | R. III | 142-146-272- 272B | |
| 125-S 30 | Screw | R. III | 165-312-315 | |
| 126-S 30 | Screw | R. III | 225-226-229- 230 | |
| 127-S | Screw | R. III | 205-206-323 | |
| 129-S | Screw | R. III | 118-121-165 | |
| 131-S | Screw | R. III | 57-233-234- 237-238 | |
| 135-S | Screw | R. III | 46-157 | |
| 156-S | Screw | R. III | 263-268 | |
| 183-S | Screw | R. III | 117 | |
| 185-S | Screw | R. III | 249-287 | |
| 190-S | Screw | R. III | 46 | |
| 295-S | Screw | R. III | 299 | |
| 295-S 30 | Screw | R. III | 41-42-53- 146-206- 260A-288 | |
| 297-S | Screw | R. III | 61 | |
| 299-S | Screw | R. III | 189 | |
| 304-S | Screw | R. III | 295 | |
| 306-S 30 | Screw | R. III | 53-260-260A | |
| 308-S 20 | Screw | R. III | 77 | |
| 308-S 30 | Screw | R. III | 256 | |
| 362-S | Circlip | R. III | 142-146 | |
| 481-S | Screw | R. III | 18-69-330- 351 | |
| 482-S | Screw | R. III | 2-9-17-150- 153-157-165- 166-299-319 | |

| NUMBER | DESCRIPTION | Section | Page No. | REMARKS |
|----------|--------------|---------|--|---------|
| 483-S | Screw | R. III | 2-9-17-21- 22-29-30-38- 57-62-101- 105-165-178- 181-272- 272B-276- 283-289-308 | |
| 483-S 30 | Screw | R. III | 17-49-69- 70-73-174- 178-181-198- 245-356 | |
| 484-S | Screw | R. III | 9-49-50-65- 73-101-105- 142-146-157- 161-170-177- 253 | |
| 485-S | Screw | R. III | 62-125-157- 170-174-177- 181-185 | |
| 485-S 30 | Screw | R. III | 53-210-214- 222-222B | |
| 486-S | Screw | R. III | 2-21-22-53- 106-264 | |
| 486-S 30 | Screw | R. III | 2-49-50-53- 77-264-268 | |
| 1.561-S | Union | R. III | 18 | |
| 1.062-S | Eyelet | R. III | 46 | |
| 1.064-S | Ring | R. III | 189-193 | |
| 1.065-S | Eyelet | R. III | 46 | |
| 1.561-S | Union | R. III | 17 | |
| 1.797-S | Joint | R. VI | 46 | |
| 1.972-S | Rivet | R. VI | 70 | |
| 2.217-S | Washer | R. III | 69-70-106- 327 | |
| 2.262-S | Washer | R. III | 254 | |
| 2.263-S | Screw | R. VI | 254-304 | |
| 2.269-S | Nut | R. III | 38-41-42-169 | |
| 2.270-S | Screw | R. VI | 272B-276- 283-284B | |
| 2.281-S | Screw | R. VI | 254 | |
| 2.300-S | Nut | R. III | 370 | |
| 2.301-S | Nut | R. III | 33-142-146 | |
| 2.312-S | Washer | R. III | 5-46-69-70- 73-121-209- 213-221-264- 268-308-315- 333-337-338- 342-345 | |

| NUMBER | DESCRIPTION | Section | Page No. | REMARKS |
|----------|--------------|---------|---|---------|
| 2. 317-S | Nut | R. III | 113 | |
| 2. 319-S | Nut | R. III | 17-18-34-37- 46-50-57-70- 130-158-165- 193-194-205- 209-213-221- 233-234-237- 238-256-287- 312-342- 343B-346A- 354-360 | |
| 2. 320-S | Nut | R. III | 73-101-121- 206-254-299 | |
| 2. 323-S | Nut | R. III | 5-142-146- 166-198-202- 264-267-268 | |
| 2. 324-S | Nut | R. III | 61 | |
| 2. 334-S | Washer | R. VI | 46-57-256- 288-295-299- 308-319-342- 345-345B- 346A | |
| 2. 335-S | Washer | R. VI | 330 | |
| 2. 338-S | Screw | R. III | 50-315 | |
| 2. 363-S | Washer | R. III | 53-150-246- 295 | |
| 2. 368-S | Nut | R. III | 134-138-169 | |
| 2. 369-S | Nut | R. III | 206-225-226- 230-233-234 | |
| 2. 370-S | Nut | R. III | 66-311 | |
| 2. 372-S | Nut | R. III | 10-101-105- 153-161-170- 177 | |
| 2. 388-S | Washer | R. VI | 330 | |
| 2. 389-S | Washer | R. VI | 225-226-229- 230-311 | |
| 2. 406-S | Screw | R. III | 319 | |
| 2. 431-S | Rivet | R. VI | 70 | |
| 2. 433-S | Nut | R. III | 260 | |
| 2. 459-S | Joint | R. VI | 81-185 | |
| 2. 462-S | Joint | R. VI | 46 | |
| 2. 466-S | Joint | R. VI | 276-283-287 | |
| 2. 470-S | Joint | R. VI | 5 | |
| 2. 475-S | Joint | R. VI | 78 | |
| 2. 476-S | Joint | R. VI | 174 | |

| NUMBER | DESCRIPTION | Section | Page No. | REMARKS |
|----------|--------------|---------|---|---------|
| 2. 669-S | Nut | R. III | 264 | |
| 2. 694-S | Washer | R. VI | 225-229-233- 234-237-238- 370 | |
| 2. 707-S | Ball | R. VI | 81-118-121- 125-129-158 | |
| 2. 713-S | Ball | R. VI | 89-94 | |
| 2. 714-S | Ball | R. VI | 81-158 | |
| 2. 741-S | Screw | R. VI | 142-149-169- 210-214-222- 308-311-312- 315-345-346 | |
| 2. 746-S | Screw | R. VI | 21-22-149- 245-255-264- 267-327-345- 346-365 | |
| 2. 756-S | Screw | R. VI | 242-254-272- 272B-279- 284-284C- 304-319-323- 345-345B- 346-346B- 353 | |
| 2. 813-S | Washer | R. VI | 33-226-230 | |
| 2. 854-S | Collar | R. VI | 17-279-284 | |
| 2. 868-S | Clip | R. VI | 287 | |
| 2. 876-S | Clip | R. VI | 279-284- 284C | |
| 2. 884-S | Clip | R. VI | 21-22-69-70- 272-272B | |
| 2. 985-S | Clip | R. VI | 272-272B- 279-284- 284C-287 | |
| 2. 989-S | Clip | R. VI | 279-284-284C | |
| 2. 994-S | Clip | R. VI | 9A-279 | |
| 3. 016-S | Clip | R. VI | 284C | |
| 3. 230-S | Washer | R. VI | 327 | |
| 3. 234-S | Washer | R. III | 333-337-338- 342-364 | |
| 3. 298-S | Bush | R. VI | 66 | |
| 4. 102-S | Ball | R. VI | 134-138 | |
| 4. 106-S | Ball | R. VI | 165-166 | |
| 4. 108-S | Ball | R. VI | 166 | |
| 4. 113-S | Ball | R. VI | 158 | |
| 4. 151-S | Key | R. III | 161 | |

| NUMBER | DESCRIPTION | Section | Page No. | REMARKS |
|-------------|----------------------|---------|----------------------------------|---------|
| 1. 352 | Washer | R. I | 268 | |
| 3. 732 | Cable | | 250-252-252A | |
| 3. 733 | Cable | | 250-252-252A | |
| 4. 017 | Washer | R. II | 149 | |
| 232. 932 | Grommet | R. VI | 295-299 | |
| 233. 400 | Plug | R. IV | 272-279-284- 284C-308- 342 | |
| 295. 502 | Buffer | R. VI | 38-327 | |
| 299. 782 | Plate | R. VI | 268 | |
| 309. 637 | Plug | R. III | 299 | |
| 355. 297 | Collar | R. II | 158 | |
| 355. 874 | Joint | R. II | 158 | |
| 355. 876 | Plug | R. VI | 158 | |
| 392-631 | Balance weight | R. VI | 289 | |
| 392. 632 | Spring | R. VI | 289 | |
| 408. 451 | Bearing | R. VI | 97 | |
| 531. 442 | Clamp | R. II | 117 | |
| 438. 157 | Cap | R. II | 153 | |
| 438. 307 | Nut | R. II | 150 | |
| 438. 314 | Bush | R. VI | 150 | |
| 438. 320 | Washer | R. II | 260 | |
| 438. 508 | Pin | R. II | 150 | |
| 438. 510 | Bush | R. II | 150 | |
| 438. 511 | Plate | R. II | 150 | |
| 438. 516 | Cam | R. II | 150 | |
| 438. 586 | Pin | R. II | 150 | |
| 438. 606 | Washer | R. II | 150 | |
| 438. 607 | Washer | R. II | 150 | |
| 438. 608 | Washer | R. II | 150 | |
| 438. 630 | Washer | R. II | 150 | |
| 441. 332 | Spring | R. II | 150 | |
| 441. 333 | Guide pin | R. II | 150 | |
| 450. 234 | Locknut | R. I | 62 | |
| 451. 323 | Joint | R. VI | 10 | |
| 451. 331 | Clamp | R. I | 18 | |
| 451. 343 | Nut | R. I | 29 | |
| 451. 397/02 | Cotter | R. I | 9-10 | |
| 451. 415 | Nut | R. I | 66 | |
| 451. 434 | Screw | R. I | 62 | |
| 451. 504 | Plug | R. I | 9-10 | |
| 451. 505 | Plug | R. I | 10 | |
| 451. 513 | Tappet | R. I | 29 | |
| 451. 672 | Union | R. I | 62 | |
| 451. 786 | Locknut | R. I | 62 | |

| NUMBER | DESCRIPTION | Section | Page No. | REMARKS |
|-------------|----------------------|---------|-------------------------|---------|
| 451. 874 | Seating | R. I | 10 | |
| 452. 342 | Dowel | R. I | 18 | |
| 452. 565 | Nut | R. I | 18 | |
| 452. 685 | Cover | R. I | 62 | |
| 457. 525 | Clamp | R. I | 18 | |
| 457. 665 | Joint | R. VI | 18 | |
| 457. 973 | Casing | R. I | 62 | |
| 460. 644 | Circlip | R. I | 26 | |
| 461. 113 | Screw | R. I | 9-10 | |
| 461. 125 | Washer | R. I | 26 | |
| 461. 143 | Plate | R. I | 29 | |
| 461. 178 | Pinion | R. I | 26 | |
| 461. 256 | Chain | R. VI | 29 | |
| 461. 492 | Washer | R. I | 29 | |
| 461. 493 | Nut | R. I | 29 | |
| 461. 494 | Nut | R. VI | 26 | |
| 461. 495 | Washer | R. I | 26 | |
| 461. 698 | Locknut | R. I | 9-10 | |
| 461. 751 | Washer | R. I | 26 | |
| 461. 776 | Distance piece | R. I | 13 | |
| 461. 777 | Cup | R. I | 13 | |
| 461. 896 | Spring | R. I | 13 | |
| 470. 705 | Washer | R. I | 62 | |
| 472. 394/02 | Half cotter | R. I | 66 | |
| 481. 716 | Distance piece | R. VI | 17-18 | |
| 481. 717 | Joint | R. VI | 18 | |
| 490. 708 | Screw | R. I | 78-165 | |
| 491. 041 | Washer | R. VI | 73 | |
| 491. 056 | Nut | R. VI | 73 | |
| 493. 081 | Toggle | R. VI | 73 | |
| 493. 108 | Screw | R. I | 78 | |
| 493. 114 | Plate | R. VI | 73 | |
| 493. 115 | Screw | R. VI | 73 | |
| 500. 367 | Bearing | R. VI | 89-97 | |
| 500. 614 | Plunger | R. I | 81 | |
| 500. 837 | Bracket | R. I | 78 | |
| 501. 002 | Cap | R. I | 89-94 | |
| 508. 093 | Circlip | R. I | 26-73 | |
| 508. 425 | Spindle | R. I | 97 | |
| 508. 426 | Spindle | R. I | 97 | |
| 508. 440 | Screw | R. I | 106 | |
| 543. 322 | Bush | R. VI | 170-174-177- 178-181 | |
| 543. 326 | Bush | R. VI | 170-177 | |
| 543. 331 | Spring | R. II | 170 | |

| NUMBER | DESCRIPTION | Section | Page No. | REMARKS |
|---------|-----------------|---------|---|---------|
| 543.332 | Spring | R. II | 170 | |
| 543.335 | Cotter | R. II | 170-177-178 | |
| 543.391 | Screw | R. II | 170-177 | |
| 550.886 | Joint | R. VI | 158-198 | |
| 615.530 | Nut | R. III | 370 | |
| 615.710 | Nut | R. VI | 142-149-245- 272-279-284- 312-315- 345B-346B | |
| 615.711 | Nut | R. VI | 222A-225- 229-241-246 | |
| 615.712 | Nut | R. VI | 245 | |
| 615.713 | Nut | R. VI | 255-264 | |
| 615.714 | Nut | R. VI | 165-345-346 | |
| 615.715 | Nut | R. VI | 242-246-295- 300-319-334- 337-338-346 | |
| 615.719 | Nut | R. VI | 304 | |
| 615.721 | Nut clips | R. VI | 295 | |
| 615.725 | Nut | R. VI | 70-149-345B- 346B | |
| 615.728 | Nut | R. VI | 345-346 | |
| 615.732 | Nut | R. VI | 53-295-299 | |
| 615.745 | Nut | R. VI | 149 | |
| 615.747 | Nut clips | R. VI | 254 | |
| 615.748 | Nut | R. VI | 284A | |
| 615.749 | Nut | R. VI | 134-138 | |
| 615.750 | Nut | R. VI | 125-129 | |
| 615.751 | Nut | R. VI | 134-138 | |
| 615.752 | Nut | R. VI | 113 | |
| 615.753 | Nut | R. VI | 53 | |
| 615.850 | Nut | R. VI | 101 | |
| 615.851 | Nut | R. VI | 101 | |
| 616.011 | Stud | R. I | 66 | |
| 616.014 | Stud | R. I | 66 | |
| 616.023 | Stud | R. I | 78 | |
| 616.036 | Stud | R. I | 9 | |
| 616.037 | Stud | R. I | 9 | |
| 616.038 | Stud | R. I | 9 | |
| 616.039 | Stud | R. I | 9 | |
| 616.040 | Stud | R. I | 9 | |
| 616.051 | Stud | R. I | 9 | |
| 617.005 | Pin | R. VI | 26 | |
| 617.010 | Pin | R. VI | 158 | |
| 617.017 | Pin | R. IV | 334-337-338 | |
| 617.805 | Joint | R. VI | 174 | |

| NUMBER | DESCRIPTION | Section | Page No. | REMARKS |
|---------|---------------|---------|-----------------------------------|---------|
| 618.745 | Rivet | R. VI | 272-275 B-284- 284C- 311 | |
| 619.013 | Washer | R. VI | 256 | |
| 619.022 | Washer | R. III | 264-268- 295-312- 315 | |
| 619.024 | Washer | R. II | 30-264 | |
| 619.037 | Washer | R. III | 255 | |
| 619.042 | Washer | R. VI | 13 | |
| 620.061 | Race | R. II | 134-138 | |
| 620.066 | Bearing | R. VI | 142-149 | |
| 620.067 | Bearing | R. VI | 125-129 | |
| 620.068 | Race | R. II | 125-129 | |
| 620.070 | Bearing | R. II | 117 | |
| 620.072 | Bearing | R. I | 89 | |
| 620.073 | Bearing | R. VI | 161 | |
| 620.077 | Bearing | R. VI | 121 | |
| 620.079 | Bearing | R. II | 117 | |
| 620.080 | Bearing | R. I | 89 | |
| 620.081 | Cage | R. VI | 89-94 | |
| 620.083 | Cage | R. VI | 89-94 | |
| 620.087 | Cage | R. VI | 89 | |
| 620.088 | Bearing | R. I | 89-94 | |
| 620.094 | Cage | R. VI | 89-94 | |
| 620.110 | Bearing | R. VI | 29 | |
| 620.111 | Bearing | R. VI | 26-66 | |
| 620.115 | Bearing | R. VI | 113 | |
| 620.121 | Bush | R. II | 125-129 | |
| 620.125 | Cage | R. VI | 89-94 | |
| 620.126 | Bearing | R. VI | 89-94 | |
| 620.262 | Cage | R. VI | 94 | |
| 620.501 | Ring | R. VI | 26 | |
| 620.503 | Circlip | R. VI | 89-94-149 | |
| 620.523 | Circlip | R. I | 89-94 | |
| 620.524 | Circlip | R. VI | 89-94 | |
| 620.525 | Circlip | R. VI | 165 | |
| 620.528 | Circlip | R. VI | 174 | |
| 621.027 | Screw | R. III | 30-49-69-70 | |
| 621.029 | Screw | R. I | 66 | |
| 621.037 | Screw | R. II | 113 | |
| 621.042 | Screw | R. II | 17 | |
| 621.045 | Screw | R. II | 165 | |
| 621.048 | Screw | R. II | 142-149-354- 359-360 | |

| NUMBER | DESCRIPTION | Section | Page No. | REMARKS |
|---------|----------------------|---------|--|---------|
| 621.050 | Screw | R. IV | 46-308-319-342 | |
| 621.052 | Screw | R. III | 73 | |
| 621.054 | Screw | R. II | 142-149 | |
| 621.055 | Screw | R. I | 334-337-338 | |
| 621.057 | Screw | R. II | 169 | |
| 621.058 | Screw | R. IV | 334-337-338 | |
| 621.062 | Screw | R. III | 17-46-57-61-70-142-149-166-198-202-249-264-272-272B-279-284-284C-295-308-345-346-364 | |
| 621.068 | Screw | R. VI | 38-42 | |
| 701.854 | Bush | R. VI | 237-238 | |
| 701.858 | Bolt | R. VI | 237 | |
| 701.861 | Brush holder | R. VI | 237-238 | |
| 702.281 | Brush | R. VI | 225 | |
| 702.283 | Spring | R. VI | 225 | |
| 702.285 | Brush holder | R. VI | 225 | |
| 702.288 | End plate | R. VI | 225 | |
| 702.295 | Spring | | 229 | |
| 702.301 | Brush holder | R. VI | 229 | |
| 702.320 | Assembling rod | R. VI | 233 | |
| 702.328 | Brush | R. VI | 229 | |
| 706.067 | Bulb | R. VI | 242-246 | |
| 706.542 | Bulb | R. VI | 209 | |
| 706.570 | Bulb | R. VI | 245-249 | |
| 706.604 | Bulb | R. VI | 242-245-245A-246-249 | |
| 706.609 | Bulb | R. VI | 245-245A-246 | |
| 706.616 | Bulb | R. VI | 209-245 | |
| 706.620 | Bulb | R. VI | 245-249 | |
| 706.639 | Bulb | R. VI | 209-213-221-222A | |
| 706.670 | Bulb | R. VI | 241-246 | |
| 706.699 | Bulb | R. VI | 249 | |
| 706.700 | Bulb | R. VI | 249 | |
| 706.701 | Bulb | R. VI | 249 | |
| 706.703 | Bulb | R. VI | 249 | |
| 706.704 | Bulb | R. VI | 245A-249 | |

| NUMBER | DESCRIPTION | Section | Page No. | REMARKS |
|---------|------------------------|---------|--------------|---------|
| 706.715 | Bulb | R. VI | 213-221-222A | |
| 706.721 | Bulb | R. VI | 241-246 | |
| 706.722 | Bulb | R. VI | 241-245 | |
| 706.723 | Bulb | R. VI | 241 | |
| 706.724 | Bulb | R. VI | 241 | |
| 706.726 | Bulb | R. VI | 222A-241 | |
| 706.727 | Bulb | R. VI | 241 | |
| 706.729 | Bulb | R. VI | 241-246 | |
| 706.730 | Bulb | R. VI | 249 | |
| 706.732 | Bulb | R. VI | 245 | |
| 706.734 | Bulb | R. VI | 241-246 | |
| 707.193 | Bulb | R. VI | 246 | |
| 707.194 | Bulb | R. VI | 242-246 | |
| 709.398 | Coil | R. VI | 57 | |
| 709.400 | Coil | R. VI | 57 | |
| 709.707 | Condenser | R. VI | 57-61 | |
| 709.788 | Rubber protector | R. VI | 57 | |
| 709.819 | Suction unit | R. VI | 57 | |
| 710.005 | Ring | R. III | 61 | |

| NUMBER | CYLINDER HEAD | WATER INLET (heater) | CAMSHAFT | DAMPER | TYPE | REMARKS |
|----------|---------------|-----------------------------|-----------|---------|--------------------------|--|
| DM 1-03 | Cast-iron | - | DM 123-0 | Without | NORMALE | No longer supplied. |
| DM 1-03a | Aluminium | at rear of cylinder head | - | - | LUXE | Until February 1960. No longer supplied. |
| DM 1-03b | - | on side of cylinder head | - | - | - | February 1960 - July 1961. No longer supplied. |
| DM 1-03c | - | - | DM 123-0a | - | LUXE EXCEPT CABRIOLET | July 1961 - September 1964. No longer supplied. |
| DM 1-03f | - | - | - | With | CABRIOLET | |
| DM 1-03g | DS 112-01a | - | - | - | LUXE EXCEPT CABRIOLET | Since September 1964. |

Note - For Cold Climates, order in addition:

- arrangement without temperature gauge: 1-DM 112-87, 1-DM 112-88.
- arrangement with temperature gauge : 1-DM 112-87, 1-DM 642-9c.

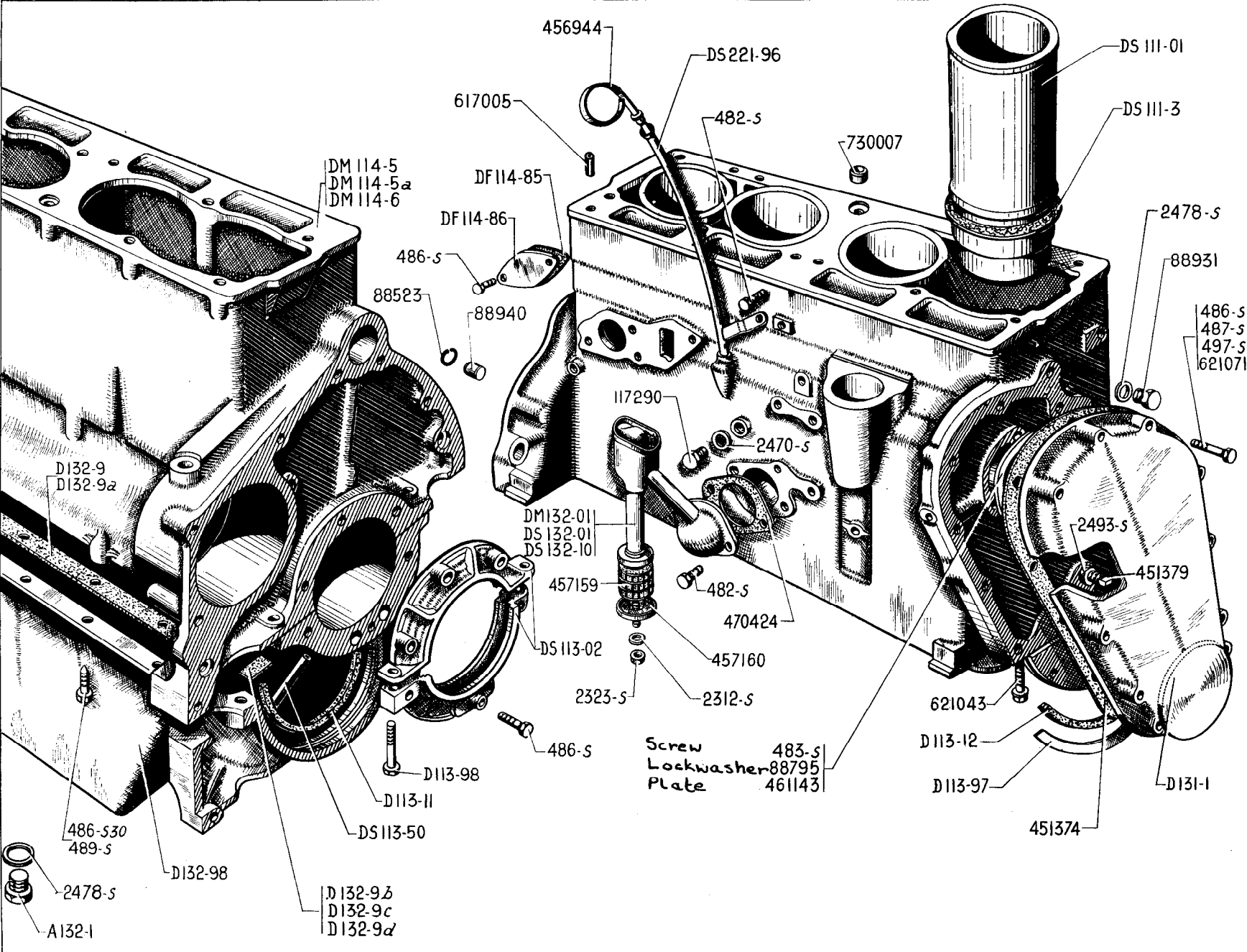
Arrangement: - with: clutch.

- without: inlet or exhaust manifolds, water pump, lateral supports, oil dipstick, breather, sparking plugs, distributor, starter motor, dynamo and petrol pump.

JOINTS FOR ENGINE

| NUMBER | DESCRIPTION | REMARKS |
|--------|---|-----------------------|
| 243 | Packet of joints for engine, comprising: all joints normally used for reassembling an engine (except copper and asbestos, Hugo - Reinz and rubber) (R. VI). | Until September 1964. |
| 242 | Packet of joints for engine, comprising: all joints normally used for reassembling an engine (except copper and asbestos, Hugo - Reinz and rubber) (R. VI). | Since September 1964. |

4-ENGINE-CYLINDER BLOCK-CYLINDER BARRELS



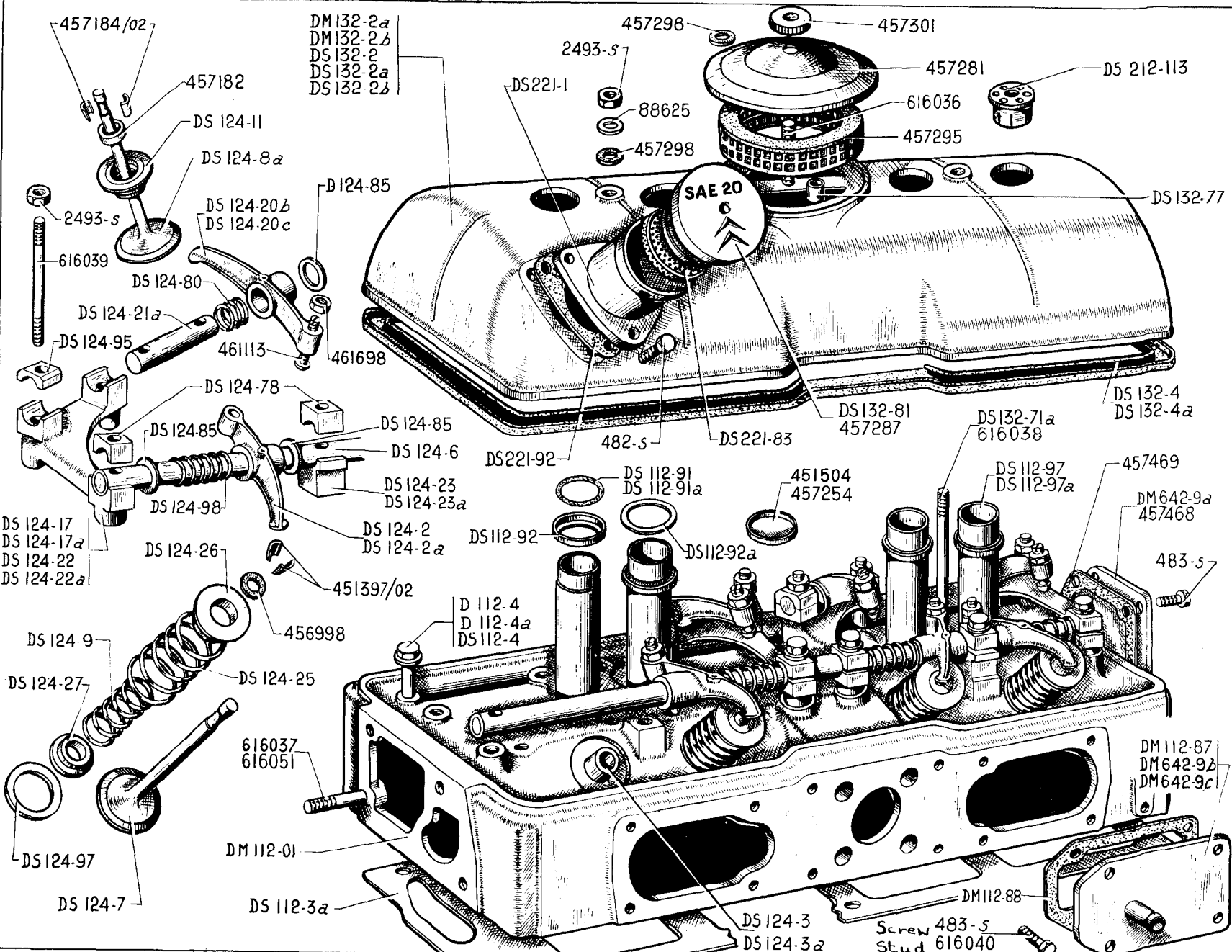
2—ENGINE—CYLINDER BLOCK—CYLINDER BARRELS

| NUMBER | DESCRIPTION | No. OFF | NUMBER | DESCRIPTION | No. OFF | NUMBER | DESCRIPTION | No. OFF |
|-------------------|--|---------|------------------|--|---------|------------------|---|-------------|
| <u>A 121-80</u> | Seal on timing cover (48 x 65.2 x 10) (R. VI). Cabriolet. All Types. Since September 1964. | 1 | DM 114-5 | <i>Cylinder block (without barrels). Distance between bearing faces of bearing rings, timing gear side: 35.9 mm. Until January 1961. Replaced by DM 114-5a</i> | 1 | | Joint, cork, for sump (R. VI). Since February 1959. | |
| A 132-1 | Plug, hex., 16 diameter x 150 pitch for draining sump. | 1 | | | | D 132-9b | - L.H. timing gear side (22 x 26.5 x 3). | 1 |
| DS 111-01 | Set of 4 cylinder barrels with pistons, piston rings, gudgeon pins and joints (height from seating to top 125.1 mm). Except Cabriolet. | 1 | DM 114-5a | Cylinder block (without barrels). Distance between bearing faces of bearing rings, timing gear side 37.7 mm, fitted with: 1-DS 113-91c. Since January 1961. | 1 | D 132-9c | - R.H. timing gear side (14.5 x 22 x 3). | 1 |
| <u>DS 111-01c</u> | Set of 4 cylinder barrels with pistons, piston rings, gudgeon pins and joints (domed pistons). Cabriolet. | 1 | DM 114-6 | <i>Cylinder block (without cylinder barrels). Type U.S.A. 12 volts. Until October 1959. No longer supplied.</i> | 1 | D 132-9d | - R.H. and L.H. flywheel side (15.5 x 22 x 3). | 2 |
| DS 111-3 | Paper joint between the cylinder block and cylinder barrel (clear blue marking) (R. VI). | 4 | DF 114-85 | Joint for closing plate for hole for suspension pump on cylinder block (R. VI). (Assisted steering). Since September 1962. | 1 | DS 132-10 | Breather without filter element (R.VI) | 1 |
| DS 113-02 | Oil baffle upper and lower half assembly, internal diameter 56 mm and 77 mm. Until October 1965. | 1 | DF 114-86 | Closing plate for hole for suspension pump on cylinder. (Assisted steering). Since September 1962. | 1 | <u>D 132-84</u> | Closing plate (breather opening). U.S.A. Since May 1964. | 1 |
| <u>DS 113-02a</u> | Oil baffle upper and lower half assembly, internal diameter 66 and 77 mm. Since October 1965. | 4 | D 131-1 | Timing cover. Except Cabriolet. Until September 1964. | 1 | D 132-98 | <i>Sump, aluminium. Until June 1964. Replaced by DM 132-98; order in addition: 1-DM 113-96.</i> | 1 |
| D 113-11 | Joint for bearing cap, flywheel side (section 6.5 x 8) (R. VI). | 1 | <u>DS 131-1a</u> | Timing cover, 65 mm hole for damper. Cabriolet. All Types. Since September 1964. | 1 | <u>DM 132-98</u> | Sump, aluminium, (1 inside web). Since June 1964. | 1 |
| D 113-12 | Joint for bearing cap, timing gear side (section 6.5 x 8) (R. VI). | 1 | DM 132-01 | Breather with filter element (with tube for connecting overflow pipe from the suspension pump). R.H. drive. Export. Cold Climates. Since July 1960. | 1 | DS 221-96 | Support guide for dipstick (R. VI). | 1 |
| DS 113-50 | Tube for bearing cap, flywheel side. Until June 1964. | 1 | DS 132-01 | Breather with filter element. Export. and R.H. drive. Until July 1960. | 1 | 482-S | Screw, hex. head, 7 diameter x 12.5 mm long (R. III) securing: - support guide for dipstick. - for breather. | 1 2 |
| <u>DM 113-96</u> | Tube for bearing cap, 53 mm long, threaded 12 x 150. Since June 1964. | 1 | D 132-9 | Joint (longitudinal), L.H. for sump (paper and cork) (R. VI). Until February 1959. | 1 | 483-S | Screw, hex. head, 7 diameter x 15 mm long, securing thrust flange for camshaft (R. III). | 2 |
| D 113-97 | Sheet metal oil retainer for groove in bearing cap, thickness 0.5 mm, width 6.5 mm. | 1 | D 132-9a | Joint, (longitudinal), R.H. for sump (paper and cork) (R. VI). Until February 1959. | 1 | 486-S | Screw, hex. head, 7 diameter x 22.5 mm long (R. III) securing: - oil baffle half shells. - timing cover. Since March 1959. - for closing plate. (Assisted steering). Since September 1962. | 6 1 2 |
| D 113-98 | <i>Screw, hex. head, 5 diameter x 25 long, for assembling half shells for oil baffles. Replaced by 285-S 30.</i> | 2 | | | | 486-S 30 | Screw, hex. head, pointed, 7 diameter x 22.5 mm long, securing sump (R. III). | 10 |
| | | | | | | 487-S | Screw, hex. head, 7 diameter x 25 mm long, securing timing cover (R. III). Until March 1959. | 1 |
| | | | | | | 489-S | Screw, hex. head, 9 diameter x 30 mm long, securing sump (R. III). | 4 |

ENGINE-CYLINDER BLOCK-CYLINDER BARRELS-5

| NUMBER | DESCRIPTION | No. OFF | NUMBER | DESCRIPTION | No. OFF | NUMBER | DESCRIPTION | No. OFF |
|---------|--|---------|---------|---|---------|---------|--|---------|
| 497-S | Screw, hex. head, 7 diameter x 50 long, securing timing cover (R. III). Until March 1959. | 11 | 88.523 | Circlip for dowel locating flywheel housing (R. I). | 2 | 457.160 | Collar retaining filter element (R.VI). Export and right-hand drive. | 1 |
| 2.312-S | Washer, 5.5 x 12 under nut, securing filter element (R. III). Export and R.H. steering. | 1 | 88.795 | Lockwashers, single, 8.5 diameter for screws securing camshaft thrust plate (R. I). | 2 | 461.143 | Thrust plate for camshaft (R. I). | 1 |
| 2.323-S | Nut, hex., 5 diameter x 75 pitch, securing filter element (R. III). Export and R.H. steering. | 1 | 88.931 | Plug, 16 diameter x 150 pitch, for oil circulation (R. I). | 2 | 470.424 | Joint for breather (R. VI). | 1 |
| 2.470-S | C and A joint, 12.2 x 17 x 2, for water drain plug (R. VI). | 1 | 88.940 | Dowel for locating flywheel housing (14 x 21.5) (R. I). | 2 | 617.005 | Pin "Mécandus" (R. VI). Since September 1957. | 1 |
| 2.478-S | Joint, copper, 16.3 x 22 x 2 for plug (R. VI). - for oil circulation. - for sump drain plug. | 2 1 | 117.290 | Plug for cylinder block water drain, 12 diameter x 175 pitch (R. I). | 1 | 621.043 | Screw, hex. head, with collar, 12 diameter x 65 long, securing brearing cap (R. I). | 6 |
| 2.493-S | Nut, hex., 7 diameter x 100 pitch, locking timing chain lubricator (R. III). | 1 | 451.374 | Joint for timing cover (R. VI). | 1 | 621.071 | Screw, hex. head, 7 diameter x 55 long, securing timing case (R. I). Since March 1959. | 11 |
| | | | 451.379 | Lubricator for timing chain (R. I). | 1 | 730.007 | Dowel for locating cylinder head (11.5 x 16 x 7.5) (R. I). | 1 |
| | | | 456.944 | Flexible dipstick (R. VI). | 1 | | | |
| | | | 457.159 | Filter element for breather (20 x 44 x 40) (R. VI). Export and right-hand drive. | 1 | | | |

CYLINDER HEAD—VALVE ROCKER ASSEMBLY—CYLINDER HEAD COVER "LUXE"—7



6-CYLINDER HEAD-VALVE ROCKER ASSEMBLY-CYLINDER HEAD COVER "LUXE"

| NUMBER | DESCRIPTION | No. OFF | NUMBER | DESCRIPTION | No. OFF | NUMBER | DESCRIPTION | No. OFF |
|-------------------|--|------------------|------------------|--|---------|-------------------|--|---------|
| DM 112-01 | Cylinder head only, with valve seats, valve guides and sparking plug tubes. Except Cabriolet. Until September 1964. | 1 | <u>DS 112-93</u> | Rubber plug, 40 mm for sealing hole in plate for cylinder head fixing bolts. Since September 1964. | 1 | DS 124-23 | <i>Intermediate support for inlet rockershaft (cast-iron). Until May 1960. Replaced by DS 124-23b, order in addition: 2-DS 124-85.</i> | 2 |
| <u>DS 112-01a</u> | Cylinder head only, with valve seats, valve guides and sparking plug tubes. Cabriolet. All Types. Since September 1964. | 1 | <u>DM 112-94</u> | Plug for sealing hole for thermometer, threaded 18 x 150. Since March 1964 (R. VI). | 1 | DS 124-23a | <i>Intermediate support for rockershaft, inlet (steel). May 1960 - March 1964. Replaced by DS 124-23b (R. VI).</i> | 2 |
| DS 112-3a | <i>Joint for cylinder head (asbestos lining) (R. VI). Except Cabriolet. Replaced by DS 112-3c.</i> | 1 | DS 112-97 | Tube for sparking plug 113 mm long x 32 mm diameter for a length of 30 mm (1st possibility). | 4 | <u>DS 124-23b</u> | Intermediate support for rockershaft, inlet (steel) (R. VI). Since March 1964. | 2 |
| <u>DS 112-3b</u> | Joint for cylinder head (Hugo-Reinz lining) (R. VI). Cabriolet. | 1 | DS 112-97a | Tube for sparking plug 113 mm long x 32.3 mm diameter for a length of 30 mm (2nd possibility). | 4 | DS 124-25 | Valve spring, outer (23.6 x 32 x 44.4). | 8 |
| <u>DS 112-3c</u> | Joint for cylinder head (asbestos lining) (R. VI). Except Cabriolet. | 1 | DS 124-2 | Inlet rockers 2 and 4. | 2 | DS 124-26 | Cup, upper, for inlet valve spring, height 10 mm conical bore (R. VI). | 4 |
| D 112-4 | Screw, hex. head, with collar, 10 diameter x 102 x 25, securing cylinder head. Until September 1961. | 7 | DS 124-2a | Inlet rockers 1 and 3. | 2 | DS 124-27 | Cup, shouldered for lower valve spring (13.6 x 17 x 20 x 2.5) (R. VI). | 8 |
| D 112-4a | Screw, hex. head, with collar, 10 diameter x 105 x 28, securing cylinder head. Since September 1961. | 7 | DS 124-3 | Valve guide, external diameter 13 mm (1st possibility). | 8 | DS 124-78 | Cap securing inlet rockershaft central hole 10.5 mm diameter (R. VI). | 6 |
| DS 112-4 | Screw, hex. head, with collar, 10 diameter x 149 x 25, securing cylinder head. | 6 | DS 124-3a | Valve guide, external diameter 13.25 mm (2nd possibility). | 8 | DS 124-80 | Spring for exhaust rockers (16.3 x 18.3 x 14.5). | 4 |
| DM 112-87 | Closing plate for cylinder head: - Except Cold Climates: Until February 1960. Since February 1960. - Cold Climates: without temperature gauge. with temperature gauge. | 2 1 2 1 | DS 124-6 | Inlet rockershaft 18 mm diameter, 420 mm long. | 1 | D 124-85 | Washer, 16.5 x 20 x 0.9, for thrust of exhaust rockers. | 4 |
| DM 112-88 | Joint for closing plate (R. VI). | 2 | DS 124-7 | Inlet valve 42 mm diameter, 107.7 mm long. | 4 | DS 124-85 | Thrust washer, 18.5 x 25 x 1, for exhaust rockers. Until May 1960. Since May 1960. | 4 8 |
| DS 112-91 | Joint for sparking plug tube (30.5 x 42.5 x 6). Until July 1961. | 4 | DS 124-8a | Exhaust valve 37 mm diameter, 105.5 mm long. | 4 | <u>DX 124-93</u> | Nut, hex., 7 x 100, with shoulder, for valve rocker screw. Since October 1965. | 8 |
| DS 112-91a | Joint for sparking plug tube (rectangular section 31 x 39 x 6). Since July 1961. | 4 | DS 124-9 | Valve spring, inner (13.8 x 22.2 x 32.25). | 8 | DS 124-95 | Cap securing exhaust rockershaft, central hole 7.5 mm diameter (R. VI) | 8 |
| DS 112-92 | Cup for sparking plugs sealing joint (32 x 49 x 4) (R. VI). Until July 1961. | 4 | DS 124-11 | Cup, upper, for exhaust valve spring, height 8.5 mm, bore 15.3 mm, depth 4.3 mm. | 4 | DS 124-97 | Thrust washer, lower, for exterior valve spring (22.1 x 32 x 0.5) (R. VI). | 8 |
| DS 112-92a | Thrust washer for sparking plug tube sealing joint (32 x 41 x 1.5) (R. VI). Since July 1961. | 4 | DS 124-17 | Support No. 1 for rockershaft. | 1 | DS 124-98 | Spring for inlet rockers (18.3 x 21.3 x 59). | 4 |
| | | | DS 124-17a | Support No. 4 for rockershaft. | 1 | | | |
| | | | DS 124-20b | Exhaust rockers 2 and 4. | 2 | | | |
| | | | DS 124-20c | Exhaust rockers 1 and 3. | 2 | | | |
| | | | DS 124-21a | Exhaust rockershaft, 16 mm diameter, 66 mm long. | 4 | | | |
| | | | DS 124-22 | Support No. 3 for rockershaft. | 1 | | | |
| | | | DS 124-22a | Support No. 2 for rockershaft. | 1 | | | |

CYLINDER HEAD—VALVE ROCKER ASSEMBLY—CYLINDER HEAD COVER "LUXE"—9

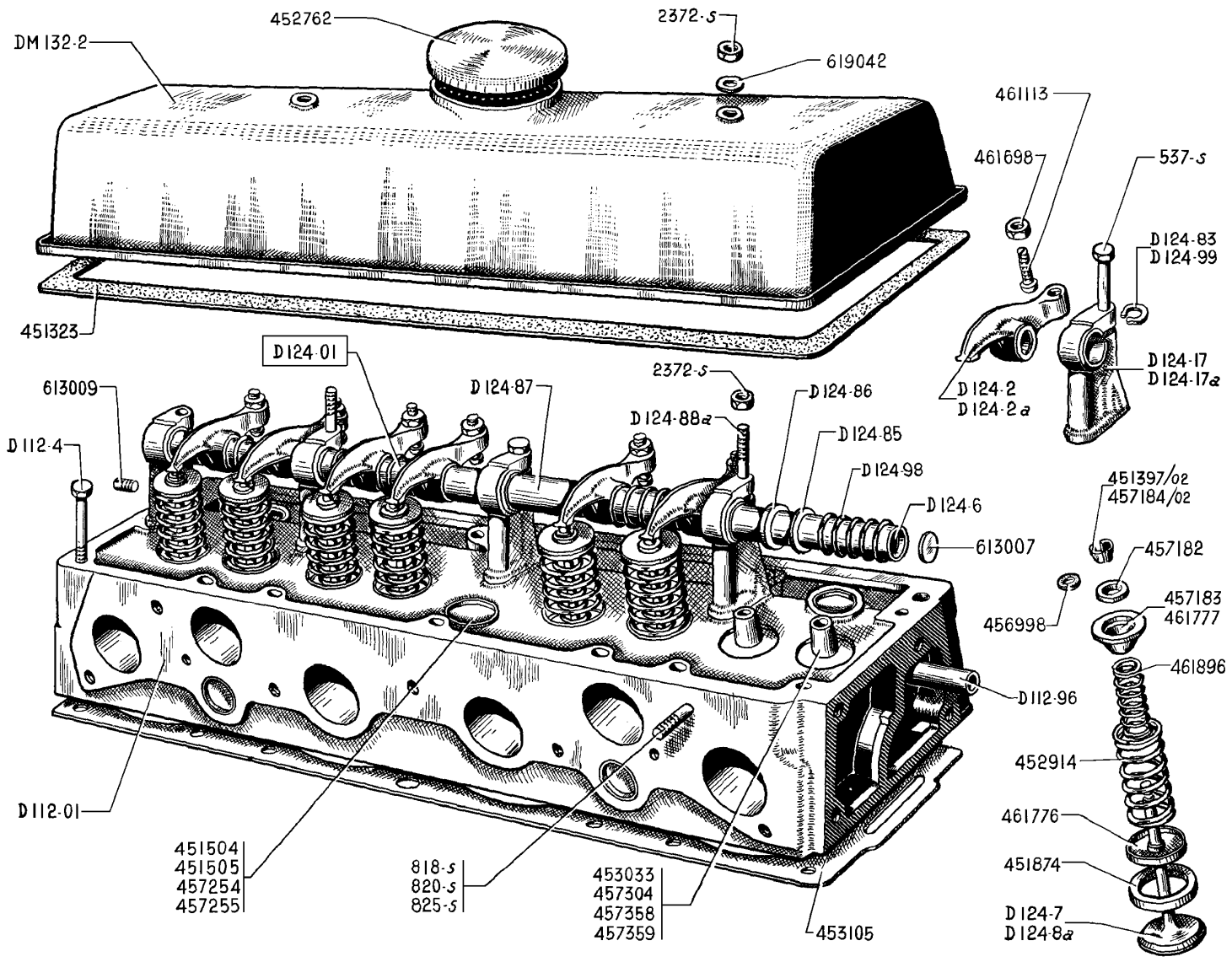
| NUMBER | DESCRIPTION | No. OFF | NUMBER | DESCRIPTION | No. OFF | NUMBER | DESCRIPTION | No. OFF |
|-------------------|--|-------------|------------------|---|---------|---------|---|-------------|
| DM 132-2a | <i>Cylinder head cover "only", October 1960 - July 1961. Replaced by DM 132-2b; order in addition: 4-DS 112-91a, 4-DS 112-92a, 1-DS 132-4a.</i> | 1 | DS 221-83 | Filter for filler (R. VI). Since May 1962. | 1 | 457.281 | Cap for filter element (R. VI). | 1 |
| DM 132-2b | Cylinder head cover "only", with anchor peg for accelerator return spring (arrangement with U section joint). July 1961 - August 1961. | 1 | DS 221-92 | Joint for oil filler (R. VI). Until May 1962. | 1 | 457.287 | Filler cap (R. VI). Until May 1962. | 1 |
| DS 132-2 | <i>Cylinder head cover "only". Until October 1960. Replaced by DS 132-2a; order in addition: 4-DS 112-91a, 4-DS 112-92a, (R. VI), 1-DS 132-4a.</i> | 1 | DM 642-9a | Rear closing plate for cylinder head with heater outlet. Until February 1960. | 1 | 457.295 | Filter element on cylinder head cover (65 x 87 x 22) (R. VI). | 1 |
| DS 132-2a | Cylinder head cover "only" without peg, (arrangement with tubular filler). August 1961 - May 1962. | 1 | DM 642-9b | <i>Lateral closing plate for cylinder head with heater outlet. Except Cold Climates. February 1960 - November 1964. Replaced by DM 642-9d; order in addition: 1-DM 112-94, 1-2.472-S (R. VI).</i> | 1 | 457.298 | Joint, 7 x 20 x 2 (R. VI): - for filter element cap. Until July 1957. - under nut securing cylinder head cover. | 1 1 2 |
| DS 132-2b | Cylinder head cover "only", with tubular filler (mono block assembly). Since May 1962. | 1 | DM 642-9c | Lateral closing plate for cylinder head with outlet for temperature gauge bulb (welded nut). Cold Climates temperature gauge fitted. | 1 | 457.301 | Nut, knurled, 7 diameter x 100 pitch, securing filter element cap (R. I). | 1 |
| DS 132-4 | Joint, rubber, for cylinder head cover (rectangular section). Until July 1961. | 1 | <u>DM 642-9d</u> | Lateral closing plate for cylinder head with outlet for temperature gauge bulb and heater outlet. Except Cold Climates. Since November 1964. | 1 | 457.468 | Rear closing plate for cylinder head. Since February 1960. | 1 |
| DS 132-4a | Joint, rubber, for cylinder head cover (U section). Since July 1961. | 1 | 482-S | Screw, hex. head, 7 diameter x 12.5 long, securing oil filler (R. III). | 3 | 457.469 | Rear closing plate joint for cylinder head. | 1 |
| DS 132-71a | <i>Stud, 7 diameter x 146 long (threaded 10 and 55), securing cylinder head cover and air filter. Except Export. Until November 1962. All Types. November 1962 - September 1964. Replaced by DS 132-71b.</i> | 1 1 1 | 483-S | Screw, hex. head, 7 diameter x 15 long securing plates for cylinder head. (R. III). | 12 | 461.113 | Adjusting screw for rocker (R. I). | 8 |
| <u>DS 132-71b</u> | Stud, 7 diameter x 136 long, (threaded 10 and 17), securing cylinder head cover and air filter. Since September 1964. | 1 | 2.493-S | Nut, hex., 7 diameter x 100 pitch (R. III) securing:- - cylinder head cover. - exhaust rocker support. | 2 8 | 461.698 | <i>Locknut, hex., 7 diameter x 100 pitch for rocker adjusting screw (R.I). Until October 1965. Replaced by DX 124-93.</i> | 8 |
| DS 132-77 | Distance piece for filter element (8 x 10 x 24.5). | 1 | 88.625 | Washer, 7.5 x 20 x 1.5, under nut securing cylinder head cover (R.I). | 2 | 616.036 | Stud, 7 diameter x 50 long, (threaded 10 and 17) securing filter element (R. I). | 1 |
| DS 132-81 | Filler cap (R. VI). Since May 1962. | 1 | 451.397/02 | Split cotter for inlet valve cup, height 8 mm (2 parts) (R. I). | 4 | 616.037 | Stud, 10 x 90 (threaded 15 and 25) securing water pump cover and air filter (R. I). Except Export. Until November 1962. All Types. Since November 1962. | 2 |
| DS 212-113 | Cap for sparking plug tubes (R. VI). Until March 1962. | 4 | 451.504 | Core plug (30 mm diameter). 1st possibility (R. I). | 3 | 616.038 | Stud, 7 diameter x 117 long (threaded 10 and 55) securing cylinder head cover (R. I). Except Export. Export. All Types. Since November 1962. | 1 2 1 |
| DS 221-1 | Oil filler on cylinder head cover. Until May 1962. | 1 | 456.998 | Washer, rubber, 7 x 11 x 2.5, sealing stem of inlet valve (R. I). | 4 | 616.039 | Stud, 7 diameter x 76.5 long, (threaded 10 and 55) securing exhaust rocker support (R. I). | 8 |
| | | | 457.182 | Cup retaining split cotter for exhaust valve conical bore, height 4.5 mm (R. I). | 4 | 616.040 | Stud, 7 diameter x 42.5 long (threaded 14 and 18), securing exhaust manifold (R. I). | 8 |
| | | | 457.184/02 | Split cotter for exhaust valve cup, height 5.65 mm (2 parts) (R. I). | 4 | 616.051 | Stud, 10 diameter x 80 long, (threaded 15 and 20), securing cover for water pump (R. I). Export. | 2 |
| | | | 457.254 | Core plug (31 mm diameter). 2nd possibility. (R. I). | 3 | | | |

The numbers underlined indicate new parts which do not appear on the illustration.

Catalogue No. 470 - January 1967.

| NUMBER | DESCRIPTION | No. OFF | NUMBER | DESCRIPTION | No. OFF | NUMBER | DESCRIPTION | No. OFF |
|---|---|---------|------------|--|---------|---------|---|---------|
| SPECIAL PARTS SINCE MAY 1964 | | | | | | | | |
| DS 132-48 | Flexible union on cylinder head cover (R. VI). | 1 | DS 132-95 | Extension for air intake on inlet chamber, 39 mm long, 1 threaded 9 x 125 (R. VI). | 1 | 2.514-S | Washer, shakeproof, 7.3 x 12, for securing bracket for flexible coupling on cylinder head cover (R. VI). | 1 |
| DS 132-78 | Joint for support of flexible coupling (70 x 88 x 1.5) (R. VI). | 1 | DS 132-97 | Extension on air filter, 20 mm diameter (R. VI). | 1 | 2.556-S | Collar, 160 mm long, securing (R. VI): - valve on flexible coupling. - connecting tube between valve and inlet chamber. | 1 2 |
| DS 132-79 | Valve connecting cylinder head cover to inlet chamber (R. VI). | 1 | DM 141-10f | Inlet chamber studded, 1 threaded 9 x 125 for air intake. Until September 1964. | 1 | 2.994-S | Collar securing flexible coupling on cylinder head cover (R. VI). | 1 |
| DS 132-80 | Bracket for flexible coupling on cylinder head cover, 73 mm diameter (R. VI). | 1 | DM 141-10g | Inlet chamber studded, 1 threaded 9 x 125 for air intake. Entry on cylinder, 38 mm diameter. Since September 1964. | 1 | 595.409 | Tube, rubber, 7 x 16, between valve and chamber, 340 mm long (R. III). | 1 |
| DS 132-91 | Oil deflector on cylinder head cover, 65 mm diameter (R. VI). | 1 | 484-S | Screw, hex. head, 7 x 17.5, for securing bracket for flexible union on cylinder head cover (R. III). | 1 | 614.020 | Collar securing extension on flexible pipe, 113 mm long (R. VI). | 1 |
| DS 132-93 | Sealing joint for air intake extension on inlet chamber (9.5 x 20 x 1) (R. VI). | 1 | 2.482-S | Washer, flat, 7.5 x 14, for screw securing bracket on flexible union on cylinder head cover (R. III). | 1 | | | |
| DS 132-94 | Anti-flame grille on cylinder head cover, 70 mm diameter (R. VI). | 1 | | | | | | |

12—CYLINDER HEAD—VALVE ASSEMBLY—CYLINDER HEAD COVER "NORMALE"



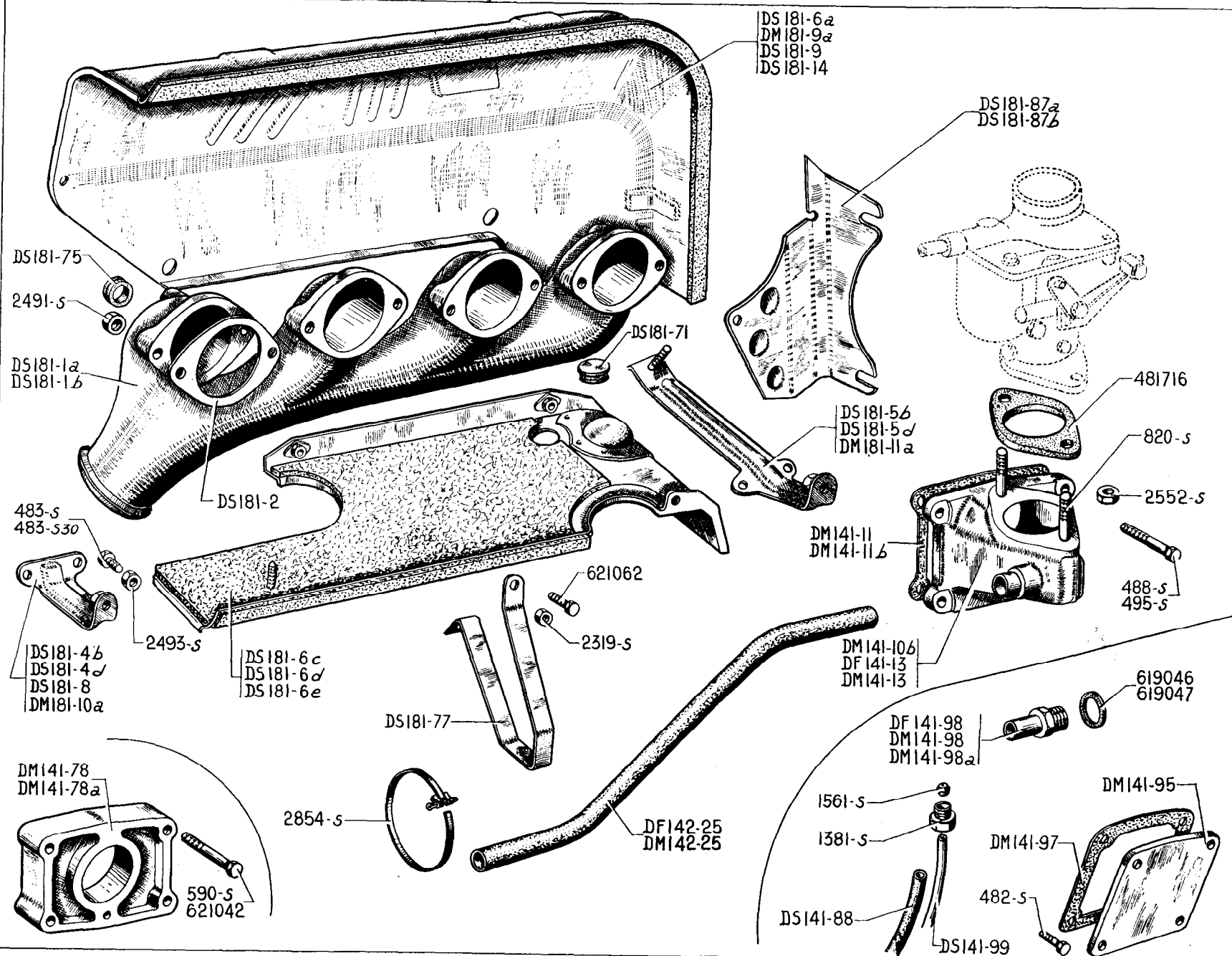
10-CYLINDER HEAD-VALVE ROCKER ASSEMBLY-CYLINDER HEAD COVER "NORMALE"

| NUMBER | DESCRIPTION | No. OFF | NUMBER | DESCRIPTION | No. OFF | NUMBER | DESCRIPTION | No. OFF |
|-----------|--|---------|------------|--|---------|------------|--|---------|
| D 112-01 | <i>Cylinder head "only", with valve guides. No longer supplied.</i> | 1 | D 124-98 | <i>Spring between rockers, 16.5 mm internal diameter. No longer supplied.</i> | 4 | 452.914 | Spring, outer, for valve (30 x 47) (R. I). | 8 |
| D 112-4 | Screw, hex. head, with collar, 10 diameter x 102 long x 25 threaded length, securing cylinder head. | 13 | D 124-99 | Distance piece (open) for rocker-shaft support (R. VI). | 4 | 453.033 | Guide for inlet valve (13 mm diameter), length 55 mm. 1st possibility (R. I). | 4 |
| D 112-96 | <i>Water pipe for cylinder head (18.5 x 20 x 442). No longer supplied.</i> | 1 | DM 132-2 | Cylinder head cover "only" (without oil filler pipe), internal shoulder diameter 98 mm. | 1 | 453.105 | C and A joint for cylinder head (R. VI). | 1 |
| D 124-01 | <i>Valve rocker assembly, height of supports 56 mm. No longer supplied.</i> | 1 | 537-S | Screw, hex. head, 9 diameter x 65 long, securing rocker support (R. III). | 3 | 456.998 | Sealing washer, rubber, 7 x 11 x 2.5, for inlet valve stem (R. I). | 4 |
| D 124-2 | Rocker, left-hand, 16 mm bore. | 4 | 818-S | Stud, 8 diameter x 39 long, (threaded 12 and 18) securing exhaust manifolds (R. III). | 1 | 457.182 | Cup retaining split cotter for exhaust valve, taper bore 4.5 mm high (R. I). | 4 |
| D 124-2a | Rocker, right-hand, 16 mm bore. | 4 | 820-S | Stud, 8 diameter x 44 long (threaded 12 and 18) securing manifolds (R. III). | 4 | 457.183 | Thrust cup for exhaust valve springs, cylindrical bore, height 9.5 mm (R. I). | 4 |
| D 124-6 | Rockershaft, 16 mm diameter, length 417 mm. | 1 | 825-S | <i>Stud, 8 diameter x 57 long, (threaded 12 and 18) securing exhaust manifolds (R. III). No longer supplied.</i> | 2 | 457.184/02 | Split cotter for exhaust valve cup, height 5.65 mm (2 parts) (R. I). | 4 |
| D 124-7 | Inlet valve diameter of head, 37 mm length, 108.5 mm recess for split cotter, 11 mm long. | 4 | 2.372-S | Nut, hex., 9 diameter x 125 pitch (height 6 mm) (R. III) securing: - rockershaft support. - cylinder head cover. | 2 2 | 457.254 | Core plug, 31 mm diameter. 2nd possibility (R. I). | 3 |
| D 124-8a | Exhaust valve, stellited, diameter of head 33.8 mm. length 110.65 mm, recess for split cotter: length 8.65 mm. | 4 | 451.323 | Joint for cylinder head cover (R. VI). | 1 | 457.255 | Core plug, 26 mm diameter. 2nd possibility (R. I). | 3 |
| D 124-17 | Support for rockershaft (with lubrication hole) height 56 mm. | 1 | 451.397/02 | Split cotter for inlet valve cup, height 8 mm (2 parts) (R. I). | 4 | 457.304 | Guide for inlet valve (13 mm diameter), length 55 mm. 2nd possibility (R. I). | 4 |
| D 124-17a | Support for rockershaft (without lubrication hole), height 56 mm. | 4 | 451.504 | Core plug (30 mm diameter). 1st possibility (R. I). | 3 | 457.358 | Guide for exhaust valve (13 mm diameter), length 53.5 mm. 1st possibility (R. I). | 4 |
| D 124-83 | <i>Retainer for rockershaft, hole diameter 9.5 mm (R. VI). No longer supplied.</i> | 1 | 451.505 | Core plug (25 mm diameter). 1st possibility (R. I). | 3 | 457.359 | Guide for exhaust valve (13.25 mm diameter), length 53.5 mm. 2nd possibility (R. I). | 4 |
| D 124-85 | Washer for rockers, 16.5 x 20 x 0.9. | 10 | 451.874 | Seat for exhaust valve (external diameter 35 mm). 2nd possibility (R. I). | 4 | 461.113 | Adjusting screw for rocker (R. I). | 8 |
| D 124-86 | <i>Distance washer, intermediate for rockers (16.5 x 20 x 3.5). No longer supplied.</i> | 4 | 452.762 | Cap for oil filler (R. VI). | 1 | 461.698 | <i>Locknut, hex., 7 diameter x 100 pitch, with collar for adjusting screw (R. I). Replaced by DX 124-93.</i> | 8 |
| D 124-87 | <i>Distance piece, central, for rockers (16.5 x 20 x 18.5). No longer supplied.</i> | 2 | | | | | | |
| D 124-88a | <i>Stud, 9 diameter x 112 long (threaded 10 and 70) securing rocker support and cylinder head cover. No longer supplied.</i> | 2 | | | | | | |

CYLINDER HEAD-VALVE ROCKER ASSEMBLY-CYLINDER HEAD COVER "NORMALE"-13

| NUMBER | DESCRIPTION | No. OFF | NUMBER | DESCRIPTION | No. OFF | NUMBER | DESCRIPTION | No. OFF |
|---------|---|---------|---------|---|---------|---------|---|---------|
| 461.776 | Distance piece (steel) for valve springs (R. I). | 8 | 461.896 | Spring, inner, for valve (20 x 42) (R. I). | 8 | 613.009 | Grub screw, slotted, 7 diameter x 100 pitch, for closing rocker lubrication hole (R. I). | 1 |
| 461.777 | Thrust cup for valve springs, inlet, taper bore, height 10 mm (R. I). | 4 | 613.007 | Washer, expanding, for rocker-shaft, 12 mm diameter (R. I). | 2 | 619.042 | <i>Washer, 9.25 x 16 x 1 under nut, securing cylinder head cover (R. VI). No longer supplied.</i> | 2 |

16—MANIFOLDS—CARBURETTOR "LUXE"



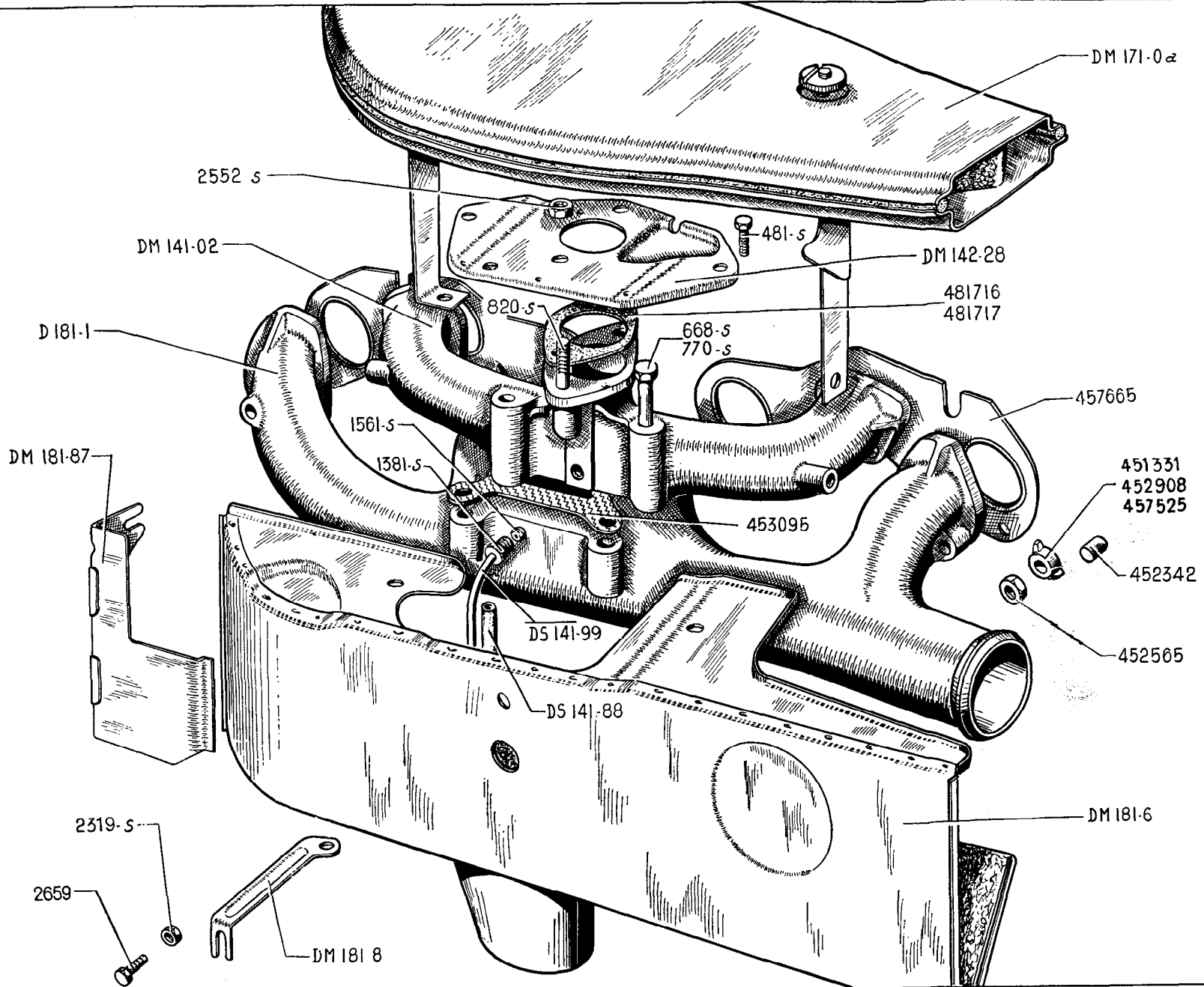
14-MANIFOLDS-CARBURETTOR "LUXE"

| NUMBER | DESCRIPTION | No. OFF | NUMBER | DESCRIPTION | No. OFF | NUMBER | DESCRIPTION | No. OFF |
|-------------------|---|---------|------------|--|---------|------------|---|---------|
| | For the carburettor and its components, apply direct to Messrs. SOLEX, or their official agents. | | DM 141-78a | Distance piece for inlet housing, (with barometric corrector). April 1963 - September 1964. | 1 | DS 181-2 | <i>C and A joint between exhaust manifold and cylinder head (R. VI). Until May 1964. Replaced by HY 181-2.</i> | 4 |
| DM 141-10b | Inlet housing with studs (without petrol drain pipe). April 1963 - September 1964. | 1 | DS 141-88 | Petrol drain pipe, rubber (4 x 11 x 250). Until April 1963. | 1 | DS 181-4b | Support, front, for exhaust shield (with welded screw). Left-hand drive. Until September 1962. | 1 |
| <u>DM 141-10d</u> | Inlet housing with studs, 38 mm diameter entry on cylinder. Except Cabriolet. Since September 1964. | 1 | DM 141-95 | Closing plate for inlet housing. Until April 1963. | 1 | DS 181-4d | Support, front, for exhaust shield. Since September 1962. | 1 |
| DM 141-11 | Joint for inlet housing, central hole 35.5 to 36.25 maximum (R. VI). Until April 1963. | 1 | DM 141-97 | Joint, paper, for closing plate for inlet housing (R. VI). Until April 1963. | 1 | DS 181-5b | Support, rear, for exhaust shield (with welded screw). Left-hand drive. Until September 1962. | 1 |
| DM 141-11b | Joint for inlet housing, 4 - 8 mm diameter holes, 1 central hole 37.25 mm (R. VI). April 1963 - September 1964. | 1 | DF 141-98 | Union for water outlet (threaded 20 diameter x 150 pitch, external diameter 19 mm). Cold Climates. Until January 1961. All Types. January 1961 - April 1963. | 1 | DS 181-5d | Support, rear, for exhaust shield. Since September 1962. | 1 |
| <u>DM 141-11d</u> | Joint for inlet housing, 1 central hole 40.25 mm diameter (R. VI). Except Cabriolet. Since September 1964. | 1 | DM 141-98 | Union for water outlet (threaded 14 diameter x 150 pitch, external diameter 12 mm). Except Cold Climates. Until January 1961. | 1 | DS 181-6a | Shield for exhaust manifold (R. VI). Left-hand drive. Until September 1962. | 1 |
| DF 141-13 | Inlet housing with studs and closing plate (threaded for water inlet, 20 diameter x 150 pitch). Cold Climates. Until January 1961. Except Cabriolet. January 1961 - April 1963. | 1 | DM 141-98a | Union for water outlet (threaded 14 diameter x 150 pitch, external diameter 19 mm). For replacement of DM 141-13. | 1 | DS 181-6c | <i>Lower part of shield for exhaust manifold. L.H. drive. Until June 1963. Replaced by DS 181-6e; order in addition: 1-DS 181-71.</i> | 1 |
| DM 141-13 | <i>Inlet housing with studs and closing plate (threaded for water inlet, 14 diameter x 150 pitch). All Types except Cold Climates). Until January 1961. Replaced by DF 141-13; order in addition: 1-DF 141:98, 1-DM 141-98a (R. VI), 1-DF 142-25, 1-619.046 (R. VI), 1-619.047 (R. VI).</i> | 1 | DM 141-98a | Union for water outlet (threaded 14 diameter x 150 pitch, external diameter 19 mm). For replacement of DM 141-13. | 1 | DS 181-6d | Lower part of shield for exhaust manifold. R.H. drive. Since September 1962. | 1 |
| <u>DM 141-20b</u> | Distance piece for inlet housing, 38 mm internal diameter (with barometric corrector). Since September 1964. | 1 | DS 141-99 | Petrol drain pipe (3 x 4.5 x 60). Except Cabriolet. Until April 1963. | 1 | DS 181-6e | Lower part of shield for exhaust manifold. L.H. drive. Since June 1963. | 1 |
| DM 141-78 | Distance piece for inlet housing (arrangement with barometric corrector). Until April 1963. | 1 | DF 142-25 | Flexible pipe for carburettor heating (internal diameter 18 mm). Cold Climates. Until January 1961. All Types. Since January 1961. | 1 | DS 181-8 | Lug securing front end of exhaust manifold shield. July 1957 - September 1962. | 1 |
| | | | DM 142-25 | Flexible pipe for carburettor heating (internal diameter 11.25 mm). Except Cold Climates. Until January 1961. | 1 | DM 181-9a | Shield for exhaust manifold. Right-hand drive. Until September 1962. | 1 |
| | | | DS 181-1a | Exhaust manifold (expansion chamber under radiator). Until September 1962. | 1 | DS 181-9 | Upper part of shield for exhaust manifold. R.H. drive. Since September 1962. | 1 |
| | | | DS 181-1b | Exhaust manifold. (Expansion chamber under front seat). Since September 1962. | 1 | DM 181-10a | Support, front, for shield. Right-hand drive. Until September 1962. | 1 |

MANIFOLDS-CARBURETTOR "LUXE"-17

| NUMBER | DESCRIPTION | No. OFF | NUMBER | DESCRIPTION | No. OFF | NUMBER | DESCRIPTION | No. OFF |
|-----------------|---|---------|---------|--|---------|------------|---|---------|
| DM 181-11a | Support, rear, for shield. Right-hand drive. Until September 1962. | 1 | 495-S | Screw, hex. head, 7 diameter x 45 long, securing inlet housing (R. III). All Types except barometric corrector arrangement. Until April 1963. | 4 | 481.716 | Distance piece for carburettor, central hole 34 mm diameter, 5 mm thick (R. VI). Except Cabriolet. | 1 |
| DS 181-14 | Upper part of exhaust manifold shield. Left-hand drive. Since September 1962. | 1 | 590-S | Screw, hex. head, 7 x 65, for securing inlet housing and distance piece (with barometric corrector) (R. III). Since April 1963. | 4 | 619.046 | Joint for water outlet union (14.5 x 20 x 1.5 to 2) (R. VI). Except Cold Climates. Until January 1961. | 1 |
| DS 181-71 | Plug for closing hole for spanner in lower part of exhaust manifold shield, 30 mm diameter (R. VI). Since June 1963. | 1 | 820-S | Stud, 8 diameter x 44 long, (threaded 18 and 12), securing carburettor (R. III). Except Cabriolet. | 2 | 619.047 | Joint for water outlet union (20.5 x 26 x 1.5 to 2) (R. VI). Cold Climates. Until January 1961. All Types. January 1961 - April 1963. | 1 |
| DS 181-75 | Grommet, nylon, for shield protecting exhaust manifold, 10 x 20 x 6 (R. VI). Since September 1962. | 4 | 1.381-S | Union screw, 10 diameter x 100 pitch, (12 mm long) securing petrol drain pipe (R. III). Until April 1963. | 1 | 621.042 | Screw, hex. head, 7 diameter x 85 long, securing inlet housing and distance piece (barometric corrector arrangement) (R. II). Until April 1963. | 4 |
| DS 181-77 | Plate securing upper and lower shields on manifold. Since September 1962. | 1 | 1.561-S | Biconical union, 4.5 diameter for petrol drain pipe (R. III). Until April 1963. | 1 | 621.062 | Screw, hex. head, 5 diameter x 14 long, securing upper shield on plate DS 181-77 (R. III). Since September 1962. | 1 |
| DS 181-87a | Closing plate, rear, for shield. Until September 1962. | 1 | 2.319-S | Nut, hex., 5 diameter x 75 pitch, 5 high (R. III) securing: - upper shield on plate DS 181-77. - plate DS 181-77 on lower shield. Since September 1962. | 1 1 | | | |
| DS 181-87b | Closing panel for exhaust shield. Since September 1962. | 1 | 2.491-S | Nut, hex., 7 diameter x 100 pitch, (7 mm high), securing exhaust manifold (R. III). | 8 | | | |
| <u>HY 181-2</u> | Joint between exhaust manifold and cylinder, central hole 37 mm (R. VI). Since May 1964. | 4 | 2.493-S | Nut, hex., 7 diameter x 100 pitch, (5 mm high) securing exhaust shield (R. III). December 1957 - September 1962. Since September 1962. | 2 1 | | | |
| 482-S | Screw, hex. head, 7 diameter x 12.5 long, securing closing plate (R. III). Until April 1963. | 4 | 2.552-S | Nut, hex., 8 x 125, for studs securing carburettor on housing (R. III). | 2 | | | |
| 483-S | Screw, hex. head, 7 diameter x 15 long, securing support on shield (R. III). Until December 1957. | 2 | 2.854-S | Clip (5 mm wide, 208 mm long), securing heater tube for carburettor (R. VI). | 2 | | | |
| 483-S 30 | Screw, hex. head, pointed, 7 diameter x 15 long, securing upper shield on lower shield and supports (R. III). Since September 1962. | 4 | | | | | | |
| 488-S | Screw, hex. head, 7 x 28, for securing inlet housing (R. III). Since April 1963. | 4 | | | | | | |
| | | | | | | | Special Parts Cabriolet | |
| | | | | | | DS 141-11b | Joint for inlet housing, central hole 42 mm (R. VI). | 1 |
| | | | | | | DS 141-13a | Inlet housing with studs and closing plate. | 1 |
| | | | | | | DS 141-99a | Petrol drain pipe (3.5 x 4.5 curved shape). | 1 |
| | | | | | | DS 142-98c | Distance piece under carburettor (R. VI). | 1 |
| | | | | | | 637-S | Stud, 7 diameter x 35.5 long, (threaded 17 and 10.5), securing carburettor (R. III). | 4 |

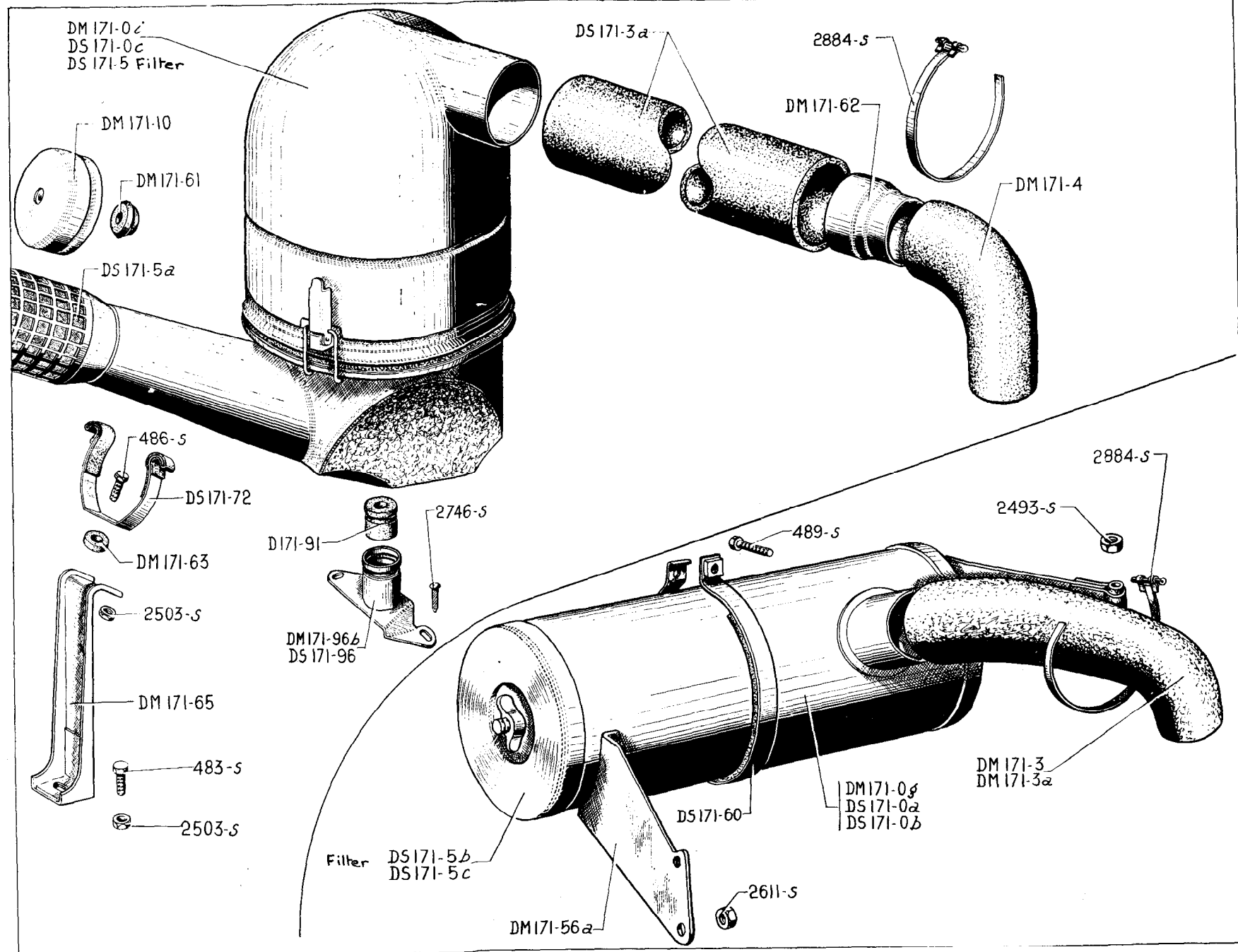
The numbers underlined indicate new parts which do not appear on the illustration.



18-MANIFOLDS-CARBURETTOR-AIR FILTER "NORMALE"

| NUMBER | DESCRIPTION | No. OFF | NUMBER | DESCRIPTION | No. OFF | NUMBER | DESCRIPTION | No. OFF |
|-----------|---|---------|---------|---|---------|---------|---|---------|
| | For the carburettor and its components apply direct to Messrs. SOLEX or their official agents. | | 668-S | Screw, hex. head, 8 diameter x 27.5 long, assembling inlet and exhaust manifolds (R. III). | 1 | 451.331 | Clamp (end) securing manifolds (28 mm long) (R. I). | 2 |
| DM 141-02 | Inlet manifold with studs. | 1 | 770-S | Screw, hex. head, 8 diameter x 65 long, assembling inlet and exhaust manifolds (R. III). | 2 | 452.342 | Dowel for locating inlet manifold (6 x 10) (R. I). | 2 |
| DS 141-88 | Petrol drain pipe (4 x 11 x 250). | 1 | 820-S | Stud, 8 diameter x 44 long (threaded 12 and 18) securing carburettor (R. III). | 2 | 452.565 | Nut, hex., 8 diameter x 125 pitch, (8 mm high) securing manifolds on cylinder head (R. I). | 7 |
| DS 141-99 | Petrol drain pipe (3 x 4.5 x 60). | 1 | 1.381-S | Union screw 10 diameter 100 pitch (length 12 mm) securing petrol drain pipe (R. III). | 1 | 452.908 | Clamp, central, securing exhaust manifold, 42 mm long (R. I). | 1 |
| DM 142-28 | Carburettor shield. | 1 | 1.561-S | Biconical union 4.5 diameter for petrol drain pipe (R. III). | 1 | 453.095 | Joint, triangular between inlet and exhaust manifolds, distance between centres of holes 58 and 74 (R. VI). | 1 |
| DM 171-0a | Air filter "MIOM" (R. VI). | 1 | 2.319-S | Nut, hex., 5 diameter x 75 pitch, securing manifold shield on front lug (R. III). | 1 | 457.525 | Clamp, intermediate for inlet and exhaust manifolds, 25 mm long (R. I). | 2 |
| D 181-1 | Exhaust manifold. | 1 | 2.552-S | Nut, hex., 8 diameter x 125 pitch, securing carburettor (R. III). | 1 | 457.665 | C and A joint between manifolds and cylinder head (R. VI). | 2 |
| DM 181-6 | Shield for exhaust manifold. | 1 | 2.659 | Screw, hex. head, 5 diameter x 13 long, securing manifold shield on front retaining lug (R. III). | 1 | 481.716 | Joint between shield and carburettor, 5 mm thick (R. VI). | 1 |
| DM 181-8 | Front lug retaining exhaust manifold shield. | 1 | | | | 481.717 | Joint between manifold and carburettor shield, 6/10 mm thick (R. VI). | 1 |
| DM 181-87 | Rear closing plate for exhaust manifold shield. | 1 | | | | | | |
| 481-S | Screw, hex. head, 7 diameter x 10 long (R. III) securing: - shield for manifold on shield for carburettor. - air filter | 1 2 | | | | | | |

20—AIR FILTER "LUXE"



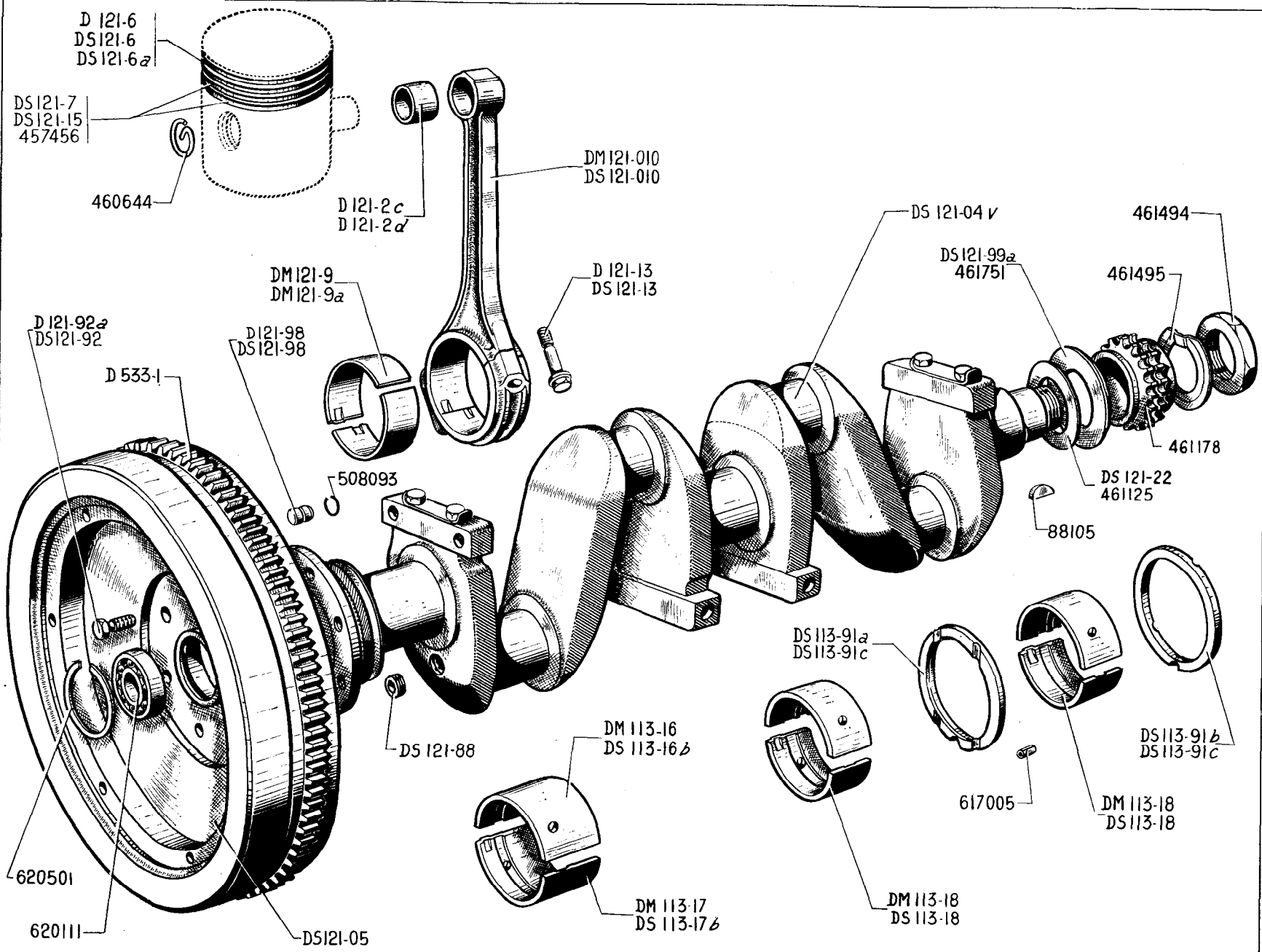
| NUMBER | DESCRIPTION | No. OFF | NUMBER | DESCRIPTION | No. OFF | NUMBER | DESCRIPTION | No. OFF |
|------------------|--|---------|-----------|---|---------|------------|---|---------|
| | AIR FILTER, DRY LEFT-HAND STEERING EXCEPT P. O. | | | OIL BATH AIR FILTER LEFT-HAND DRIVE, EXPORT (RIGHT-HAND DRIVE EXCEPT P. O. Until October 1962) (RIGHT-HAND DRIVE, P. O. Until July 1963) | | | | |
| DS 171-0a | Air filter, "MIOM" (R. VI). Until September 1964. | 1 | | | | 2.884-S | Collar for securing coupling on air filter and carburettor (R. VI). | 4 |
| DS 171-0b | Air filter, "LAUTRETTE" (R. VI). Until September 1964. | 1 | | | | | AIR FILTER, DRY (RIGHT-HAND STEERING except P. O. Since October 1962) | |
| <u>DS 171-0f</u> | Air filter, "MIOM" (R. VI), without front support. Since September 1964. | 1 | DS 171-0c | Air filter "MIOM". | 1 | DM 171-0g | Air filter, "MIOM" (R. VI). Until September 1964. | 1 |
| DS 171-0g | Air filter, "LAUTRETTE" (R. VI), without front support. Since September 1964. | 1 | DS 171-3a | Flexible connection between air filter and carburettor (R. VI). | 1 | DM 171-0j | Air filter, "MIOM", fixing plate 15 mm wide (R. VI). Since September 1964. | 1 |
| DM 171-3 | Rubber connection, elbowed, between air filter and air pipe. | 1 | DM 171-4 | Elbowed rubber connection on carburettor (R. VI). | 1 | DM 171-3a | Rubber union, elbowed, between air filter and air inlet pipe. | 1 |
| <u>DM 171-3b</u> | Flexible coupling between air filter and carburettor. Since May 1964. U. S. A. | 1 | DS 171-5 | Filter element for filter DS 171-0c (R. VI). | 1 | DS 171-5b | Filter element "MIOM" (R. VI). | 1 |
| DS 171-5b | Filter element "MIOM" (R. VI). | 1 | DS 171-5a | Filter element for air intake (R. VI). | 1 | DM 171-56a | Front support for air filter. | 1 |
| DS 171-5c | Filter element "LAUTRETTE" (R. VI). | 1 | DM 171-10 | Oil measure cup (R. VI). | 1 | DS 171-60 | Clip securing air filter on front support (R. VI). | 1 |
| <u>DM 171-56</u> | Support, front, for air filter. Since September 1964. | 1 | DM 171-61 | Anchor cup, rubber (R. VI). | 1 | 489-S | Screw, hex. head, 7 x 30, for securing collar DS 171-60 (R. III). | 1 |
| DS 171-60 | Collar securing filter on front support (R. VI). Since September 1964. | 1 | DM 171-62 | Sleeve, sheet metal, connecting rubber pipe on air filter and elbow connection on carburettor. | 1 | 2.493-S | Nut, hex., 7 x 100 (5 mm high) for securing air filter on cylinder head cover (R. III). | 1 |
| 489-S | Screw, hex. head, 7 x 30, for securing collar DS 171-60 (R. III). Since September 1964. | 1 | DM 171-63 | Rubber packing, 7.5 x 25 x 8 retaining filter. | 1 | 2.611-S | Nut, hex., 10 x 150, for securing air filter on water pump cover (R. III). | 2 |
| 2.493-S | Nut, hex., 7 x 100, (5 mm high) for securing air filter on cylinder head cover (R. III). | 1 | DM 171-65 | Support, front retaining filter. | 1 | 2.884-S | Collar for securing coupling on air filter and carburettor (R. VI). | 2 |
| 2.611-S | Nut, hex., 10 x 150, for securing air filter on water pump cover (R. III). | 2 | DS 171-72 | Clip for air intake. | 1 | | OIL BATH AIR FILTER RIGHT-HAND STEERING, P. O. Since July 1963 | |
| 2.884-S | Collar for securing coupling on air filter and carburettor (R. VI). | 2 | D 171-91 | Rubber bush, 9.8 x 30 x 22, for air filter. | 1 | DM 171-0i | Air filter "MIOM" (R. VI). | 1 |
| | | | DS 171-96 | Support, rear, for air filter. | 1 | DS 171-3a | Flexible union between air filter and carburettor (R. VI). | 1 |
| | | | 483-S | Screw, hex. head, 7 diameter x 15 long, securing support for air intake (R. III). | 1 | DM 171-4 | Elbowed rubber on carburettor (R. VI). | 1 |
| | | | 486-S | Screw, hex. head, 7 diameter x 22.5 long, securing clip for air intake (R. III). | 1 | | | |
| | | | 2.503-S | Nut, 7 diameter x 100 pitch (R. III) securing: - air intake clip on support. - support. | 1 1 | | | |
| | | | 2.746-S | Screw, P. K. round head, cruciform slot, 4.85 x 16, securing rear support (R. VI). | 2 | | | |

The numbers underlined indicate new parts which do not appear on the illustration.

22-AIR FILTER "LUXE"

| NUMBER | DESCRIPTION | No. OFF | NUMBER | DESCRIPTION | No. OFF | NUMBER | DESCRIPTION | No. OFF |
|-----------|--|---------|------------|--|---------|---------|---|---------|
| DS 171-5 | Filter element for filter DS 171-0c (R. VI). | 1 | DM 171-63 | Rubber packing, 7.5 x 25 x 8 retaining filter. | 1 | 486-S | Screw, hex. head, 7 x 22.5, for securing clip for air intake (R. III). | 1 |
| DS 171-5a | Filter element for air intake (R. VI). | 1 | DM 171-65 | Support, front, retaining filter. | 1 | 2.503-S | Nut, 7 x 100 (R. III) for securing: - clip for air intake pipe on bracket. - for support. | 1 |
| DM 171-10 | Oil measure cup (R. VI). | 1 | DS 171-72 | Clip for air intake. | 1 | 2.746-S | Screw, Parker, round head, cruciform slot, 4.85 x 16, for securing rear support (R. VI). | 2 |
| DM 171-61 | Rubber anchor for cup. | 1 | D 171-91 | Rubber bush, 9.8 x 30 x 22 for air filter. | 1 | 2.884-S | Clip for securing unions on air filter and carburettor (R. VI). | 4 |
| DM 171-62 | Sleeve, sheet metal, connecting rubber pipe on air filter and elbow connection on carburettor. | 1 | DM 171-96b | Support for air filter. | 1 | | | |
| | | | 483-S | Screw, hex. head, 7 x 15, for securing support for air intake pipe (R. III). | 1 | | | |

24—CRANKSHAFT—CONNECTING RODS—PISTONS

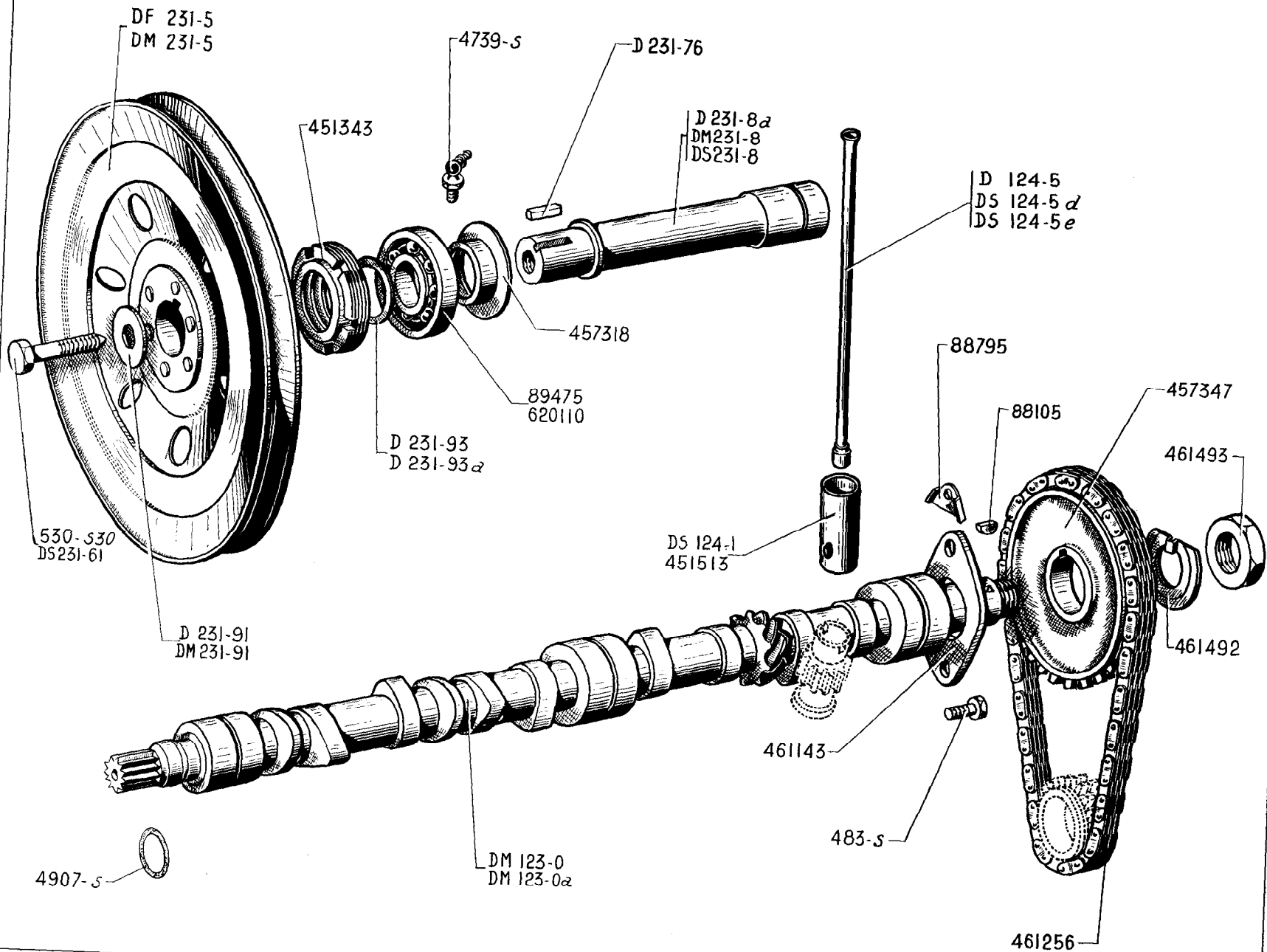


| NUMBER | DESCRIPTION | No. OFF | NUMBER | DESCRIPTION | No. OFF | NUMBER | DESCRIPTION | No. OFF |
|-------------------|---|---------|-------------------|---|---------|------------------|--|---------|
| | NOTE - Pistons and gudgeon pins are not supplied separately. See cylinder barrel and piston assemblies (page 2). | | DS 121-04t | <i>Crankshaft, journal 54 mm diameter connecting rod journal, 48 mm diameter, flywheel fixing by 10 mm screws. Cabriolet. All Types. September 1964 - October 1965. Replaced by DS 121-04z; order in addition: 1-DS 113-02a.</i> | 1 | DS 121-6a | Piston ring, cylindrical, chrome, 78 x 2 (R.VI). Since October 1957. | 4 |
| | Top half front bearing, lubrication groove 18.6 mm from locating dowel, length 54.3 mm (R. VI). | 1 | DS 121-04v | <i>Crankshaft, journal diameter 54 mm, connecting rod journal 48 mm, length of journal timing gear side 42.3 mm. Tapped for flywheel fixing 10 diameter x 125. Except Cabriolet. June 1962 - September 1964. Replaces previous models, see Technical Note No. 739. Replaced by DM 121-04u; order in addition: 1-DS 113-02a.</i> | 1 | DS 121-7 | Scraper ring, chrome, 78 x 2.5. Since January 1962. | 4 |
| DM 113-16 | Bore, 53.5 mm. 2nd possibility. | | | | | DM 121-9 | Half bearing, for connecting rod big end, length 27 mm (R. VI). | 8 |
| DS 113-16b | Bore 54 mm. 1st possibility. | | | | | DM 121-9a | - bore 48 mm. 1st possibility. | 8 |
| | Bottom half front bearing, lubrication groove 3 mm from locating dowel, length 54.3 mm (R. VI). | 1 | | | | <u>DS 121-10</u> | - bore 47.5 mm. 2nd possibility. | 8 |
| DM 113-17 | Bore 53.5 mm. 2nd possibility. | | <u>DS 121-04z</u> | <i>Crankshaft, journal 54 mm diameter, connecting rod 48 mm diameter, journal oil baffle side 65.6 mm diameter x 9.5 mm wide. Since October 1965.</i> | 1 | DS 121-10 | Nut, hex., 36 x 150, for locking damper on crankshaft. Cabriolet. All Types. Since September 1964. | 1 |
| DS 113-17b | Bore 54 mm. 1st possibility. | | | | | D 121-13 | Screw, hex. head, 9 diameter x 32 long, securing big end. Until June 1957. | 8 |
| DM 113-18 | Half bearing, 53.5 mm bore, upper and lower, central and rear, length 37 mm. 2nd possibility (R. VI). | 4 | DS 121-05 | <i>Engine flywheel with starter gear ring, 6 holes 11 mm diameter. Except Cabriolet. Since June 1962. Replaces previous model.</i> | 1 | DS 121-13 | Screw, hex. head, 9 diameter x 29 long, securing big end (marked with "1" on head). Since June 1957. | 8 |
| DS 113-18 | Half bearing, 54 mm bore, upper and lower, central and rear, length 37 mm. 1st possibility (R. VI). | 4 | DM 121-010 | <i>Connecting rod with bearing, 48 mm bore, length 27 mm (body stamped DS 121-11, thickness at centre: 22 mm). Replaces DS 121-010a. Since June 1957.</i> | 4 | DS 121-15 | Scraper ring, 78 x 5. Since January 1962. | 4 |
| DS 113-91a | Inner bearing ring for rear bearing, (58.1 x 72 x 4.03, chamfer on internal diameter) (R. VI). Until January 1961. | 1 | DS 121-010 | <i>Connecting rod with bearing, 48 mm bore, length 27 mm. Body stamped D 121-11, thickness at centre 19 mm). Until June 1957. Replaced by DM 121-010 (set of 4, see Technical Note No. 673).</i> | 4 | DS 121-22 | Washer, 38.5 x 44.5 x 0.03 for adjusting crankshaft. Since March 1963. | As nec. |
| DS 113-91b | Outer bearing ring for rear bearing, (58.1 x 72 x 4.03, without chamfer on internal diameter) (R. VI). Until January 1961. | 1 | D 121-2c | Bush for connecting rod (20 x 21.5 x 25). 1st possibility (R. VI). | 4 | DS 121-88 | Plug for crank pin oil ducts, (threaded 22 diameter x 125 pitch) (R. VI). | 4 |
| DS 113-91c | Rear bearing ring, (58.1 x 72 x 2.3) (R. VI). Since January 1961. | 2 | D 121-2d | Bush for connecting rod (20 x 21.7 x 25). 2nd possibility (R. VI). | 4 | D 121-92a | Screw, hex. head, 9 diameter x 17 long (17 across flats), securing engine flywheel. Until June 1962. | 6 |
| <u>DM 121-04u</u> | <u>Crankshaft, journal 54 mm diameter, connecting rod journal 48 mm diameter, length of journal, timing gear side 42.3 mm, baffle 9.5 mm. Tapped for flywheel fixing 10 diameter x 125.</u> | 1 | D 121-6 | Piston ring, tapered, 78 x 2.5, Until January 1962. (R. VI). | 4 | DS 121-92 | Screw, hex. head, 10 diameter x 17 long, securing engine flywheel. Since June 1962. | 6 |
| | | | DS 121-6 | Piston ring, cylindrical, chrome, 78 x 2.5. Until October 1957. | 4 | D 121-98 | Dowel, 10 x 16, for centring engine flywheel on crankshaft (R. VI). (1st possibility). | 1 |
| | | | | | | DS 121-98 | Dowel for centring engine flywheel, 10 and 10.5 mm diameter x 16 mm long (R. VI). (2nd possibility) Since July 1963. | 1 |
| | | | | | | DS 121-99a | Thrust washer, 38.1 x 74 x 6.7, for crankshaft. Since January 1961. | 1 |

The numbers underlined indicate new parts which do not appear on the illustration.

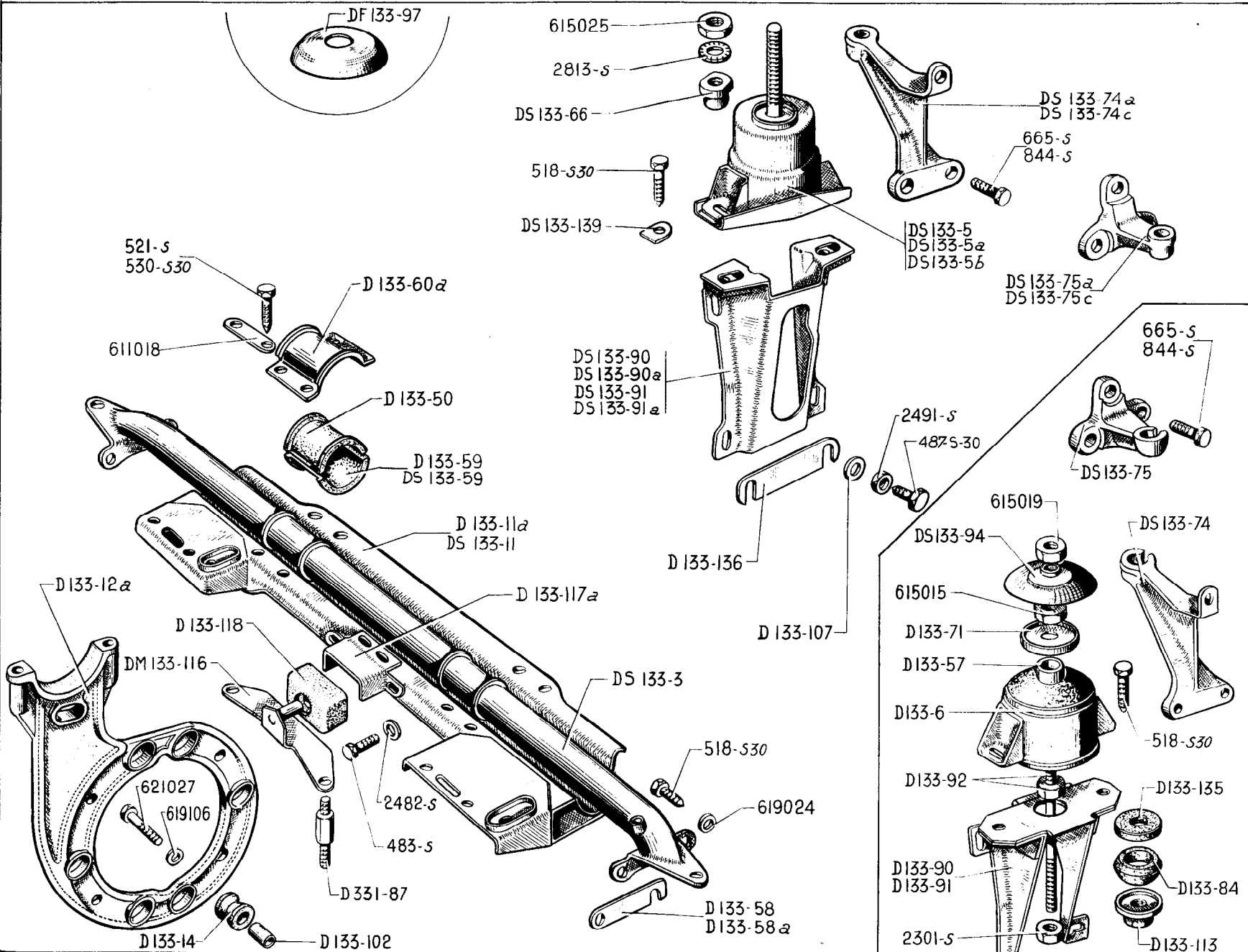
26—CRANKSHAFT—CONNECTING RODS—PISTONS

| NUMBER | DESCRIPTION | No. OFF | NUMBER | DESCRIPTION | No. OFF | NUMBER | DESCRIPTION | No. OFF |
|------------------|---|---------|---------|--|---------|---------|---|---------|
| <u>DS 126-1</u> | Damper (R. VI). Cabriolet. All Types. Since September 1964. | 1 | 460.644 | Circlip for gudgeon pin (R. I). | 8 | 461.751 | Thrust washer, 38 x 73 x 5, for crankshaft (R. I). Until January 1961. | 1 |
| <u>DS 131-10</u> | Oil seal washer on crankshaft (38.5 x 73 x 3). Cabriolet. All Types. Since September 1964. | 1 | 461.125 | Washer, 38.5 x 44.5 x 0.05, for adjustment of crankshaft (R. I). | As nec. | 508.093 | Circlip, 8.8 x 10.8 for dowel centring engine flywheel (R. I). | 1 |
| D 533-1 | Starter gear ring (93 teeth), internal diameter 272 mm. | 1 | 461.178 | Crankshaft pinion (19 teeth) (R. I). | 1 | 617.005 | Pin, "Mecanindus", 5 diameter x 10 long, securing bearing ring, timing gear side (R. VI). | 2 |
| 88.105 | Woodruff key, 18.5 x 4.6 x 7.9, for crankshaft pinion (R. II). | 1 | 461.494 | Nut, hex., 36 diameter x 150 pitch, securing crankshaft pinion (R. VI). Until September 1964. Except Cabriolet. | 1 | 620.111 | Ball bearing, 15 x 42 x 13, with twin seal plates (R. VI). | 1 |
| 457.456 | Scraper ring, 78 x 4 (R. I). Until January 1962. | 8 | 461.495 | Lockwasher, round, 36.5 diameter for nut securing crankshaft pinion (R. I). Until September 1964. Except Cabriolet. | 1 | 620.501 | Circlip, 44.7 mm diameter for rear bearing of crankshaft (R. VI). | 1 |



| NUMBER | DESCRIPTION | No. OFF | NUMBER | DESCRIPTION | No. OFF | NUMBER | DESCRIPTION | No. OFF |
|-----------------|---|---------|-----------|---|---------|---------|--|---------|
| DM 123-0 | Camshaft with exterior splines on end piece, total length 528 mm. Until July 1961. | 1 | DS 231-8 | Shaft driving water pump and dynamo (threaded 10 diameter x 100 pitch, end piece splined 40.5 mm long). October 1958 - July 1961. | 1 | 88.795 | Lockwasher, single, 8.5 diameter, for screws securing camshaft thrust flange (R. I). | 2 |
| DM 123-0a | Camshaft with exterior splines on end piece, total length 545 mm. Since July 1961. | 1 | DS 231-61 | Screw, hex. head, 10 diameter x 30 long, securing pulley. Since October 1958. | 1 | 89.475 | Bearing, front, 20 x 47 x 14, for driving shaft (R. VI). Until March 1958. | 1 |
| DS 124-1 | Tappet for push-rod, 26 mm diameter, spherical diameter 14 mm. LUXE. Normale. Since April 1964. | 8 | D 231-76 | Key, rectangular, 4 x 4 x 21, for driving pulley (R. VI). | 1 | 451.343 | Ring nut, securing bearing for driving shaft (exterior thread 50 diameter x 150 pitch) (oil thrower thread 28 inside diameter) (R.I). | 2 |
| D 124-5 | <i>Push-rod for rocker (245 mm long, spherical diameter 12 mm). NORMALE. Until April 1964. Replaced by D 124-5a; order in addition: 1-DS 124-1.</i> | 8 | D 231-91 | Washer, 9 x 28 x 4, under screw securing pulley. Until October 1958. | 1 | 451.513 | <i>Tappet for rocker push-rod, 26 mm diameter, spherical diameter 12 mm (R.I). NORMALE. Until April 1964. Replaced by DS 124-1; order in addition: 1-D 124-5a.</i> | 8 |
| <u>D 124-5a</u> | Push-rod for rocker (total length 246 mm), spherical diameter of ball 14 mm. NORMALE. Since Spril 1964. | 8 | DM 231-91 | Washer, 10.5 x 28 x 5, under screw securing pulley. Since October 1958. | 1 | 457.318 | Deflector on driving shaft, 20 mm and 41 mm diameter, total thickness 13 mm (R. I). Until March 1958. | 1 |
| DS 124-5d | Push-rod, for inlet rocker (225 mm long, spherical diameter 14 mm). LUXE. | 4 | D 231-93a | Washer, 20.5 x 27 x 0.8 mm thick, for pulley adjustment. | As nec. | 457.347 | Pinion for camshaft (38 teeth, thickness of hub 27.6 mm) (R. I). | 1 |
| DS 124-5e | Push-rod for exhaust rocker (251 mm long, spherical diameter 14 mm). LUXE. | 4 | 483-S | Screw, hex. head, 7 diameter x 15 long, securing thrust flange for camshaft (R. III). | 2 | 461.143 | Thrust flange for camshaft (R. I). | 1 |
| DF 231-5 | Pulley, triple groove, driving water pump, dynamo and high pressure pump. (Assisted steering). Since September 1962. | 1 | 530-S 30 | Screw, hex. head, 9 diameter x 22 long, securing pulley (R. III). Until October 1958. | 1 | 461.256 | Timing chain (R. VI). | 1 |
| DM 231-5 | Pulley driving water pump and dynamo. All Types except assisted steering. | 1 | 4.739-S | Greaser, angled for bearing (R. VI). Until March 1958. | 1 | 461.492 | Lockwasher, round, 24.5 mm diameter for nut securing camshaft pinion (R. I). | 1 |
| D 231-8a | <i>Shaft driving water pump and dynamo (threaded 9 diameter x 125 pitch). Until October 1958. Replaced by: DS 231-8; order in addition: 1-DS 231-61, 1-DM 231-91.</i> | 1 | 4.907-S | <i>Ring seal, 18.4 x 23.8 x 2.7 on splined end piece of camshaft (R. VI). Until July 1961. Replaced by 4.988-S.</i> | 1 | 461.493 | Nut, hex., 24 diameter x 150 pitch, securing camshaft pinion (R. I). | 1 |
| DM 231-8 | Shaft driving water pump and dynamo (end piece splined 57.5 mm long). Since July 1961. | 1 | 88.105 | Woodruff key, 18.5 x 4.6 x 7.9, for camshaft pinion (R. II). | 1 | 620.110 | Ball bearing, 20 x 47 x 14, (with twin seal plates) for front of driving shaft (R. VI). Since March 1958. | 1 |

The numbers underlined indicate new parts which do not appear on the illustration.

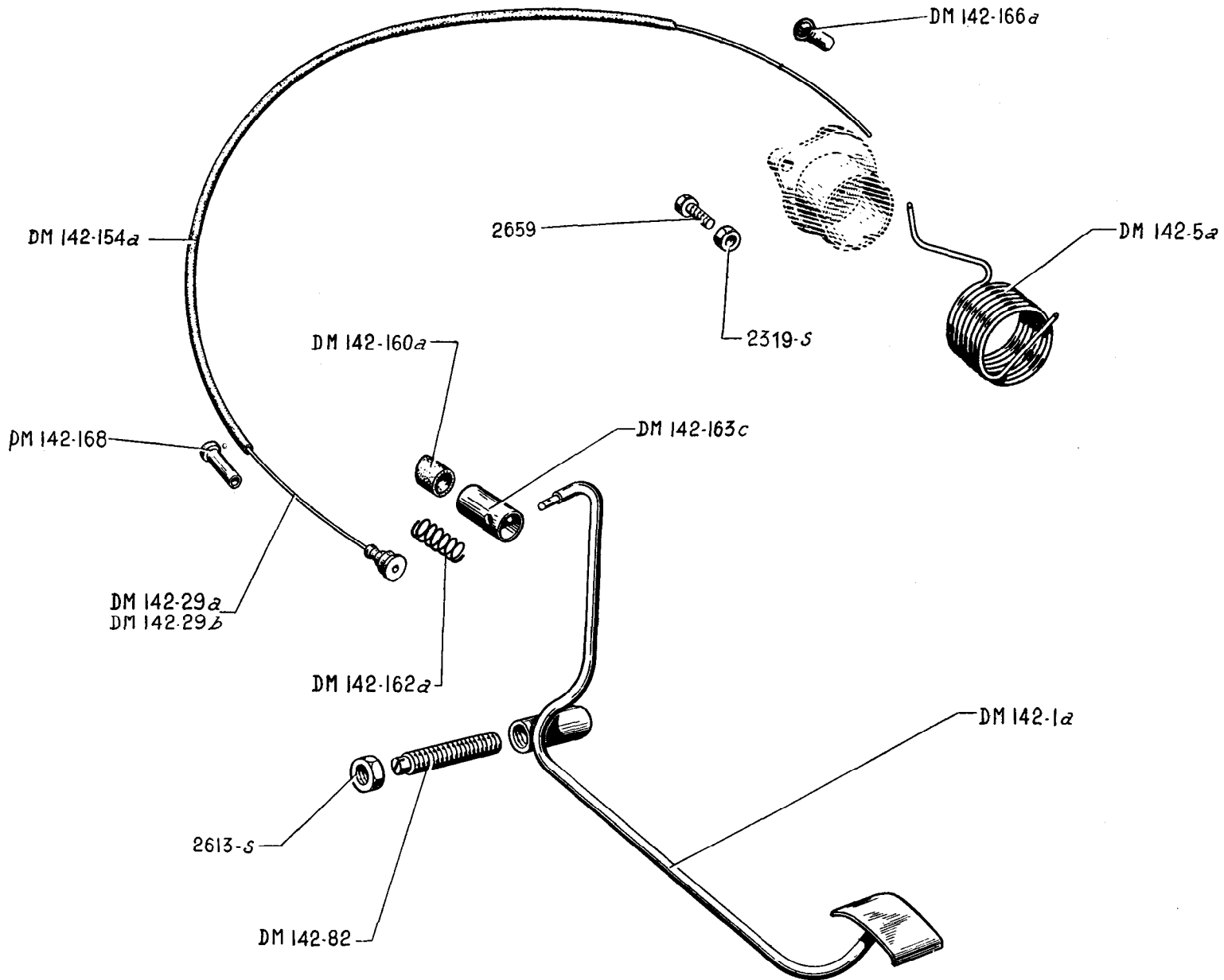


30—ENGINE AND GEARBOX SUSPENSION

| NUMBER | DESCRIPTION | No. OFF | NUMBER | DESCRIPTION | No. OFF | NUMBER | DESCRIPTION | No. OFF |
|-------------------|--|---------|----------|---|---------|-----------|---|---------|
| | FRONT Gearbox | | | | | | | |
| DS 133-3 | Crossmember, front upper, secured by two caps. Replaces previous model. | 1 | 483-S | Screw, hex. head, 7 diameter x 15 long, securing housing for thrust block on front crossmember (R. III). | 4 | D 133-71 | Upper locking cup for rear flexible block, 50 mm diameter, 9 mm high, 12 mm diameter hole. | 2 |
| D 133-11a | <i>Crossmember, front lower. Until April 1963. Replaced by DS 133-11a; order in addition: 2-DS 133-59.</i> | 1 | 518-S 30 | Screw, hex. head, pointed, 9 diameter x 30 long, securing upper front crossmember on sidemember (R. III). | 6 | DS 133-74 | Rear suspension bracket, right-hand, hole for 12 mm centre bolt. | 1 |
| DS 133-11 | <i>Crossmember, front lower. April 1963 - April 1964. Replaced by DS 133-11a.</i> | 1 | 521-S | Screw, hex. head, 9 diameter x 16 long, securing lower crossmember on front bracket (R. III). | 4 | DS 133-75 | Rear suspension bracket, left-hand, hole for 12 mm centre bolt. | 1 |
| <u>DS 133-11a</u> | Crossmember, front lower. Since April 1964. | 1 | 530-S 30 | Screw, hex. head, pointed, 9 diameter x 22 long, securing right and left-hand caps on front bracket (R. III). | 4 | D 133-84 | Flexible buffer, lower for rear flexible block. | 2 |
| D 133-12a | Bracket, front, right and left-hand. | 2 | 2.482-S | Washer, 7.5 x 14, for screws securing thrust block housing (R. III). | 4 | D 133-90 | Support, rear, right-hand. | 1 |
| D 133-14 | Rubber bearing for front bracket, 14 mm diameter, 20.5 mm long. | 12 | 611.018 | Lockwasher, double, 10.3 mm diameter for screw securing upper crossmember on lower crossmember (R. III). | 4 | D 133-91 | Support, rear, left-hand. | 1 |
| D 133-50 | Half-bush, upper, rubber, for front suspension, 58 mm long, 32 mm high. | 2 | 619.024 | Washer for screws securing upper front crossmember on sidemember (R. II). | 6 | D 133-92 | Spindle, 12 diameter x 195 long, with welded nut securing rear flexible block. | 2 |
| D 133-58 | Packing piece for upper front crossmember, 1 mm thick. | As nec. | 619.106 | Washer, 9.5 x 24 x 2, under head of screws securing front bracket (R. III). | 12 | DS 133-94 | Protection cap for rear flexible block, left-hand with welded nut. | 1 |
| D 133-58a | Packing piece for upper front crossmember, 2 mm thick. | As nec. | 621.027 | Screw, hex. head, 9 diameter x 50 long, securing front bracket (R. III). | 12 | D 133-107 | Washer, 7.5 x 26 x 4, for nuts securing rear brackets on reinforcement. | 8 |
| D 133-59 | <i>Half-bush, lower, rubber, for front suspension, 58 mm long x 27.4 mm high. Until April 1963. Replaced by DS 133-59.</i> | 2 | | | | D 133-113 | <i>Cup with welded nut for lower buffer of rear flexible block, 32 mm diameter. No longer supplied.</i> | 2 |
| DS 133-59 | Half-bush, lower, rubber, for front suspension, 58 mm long x 27.4 mm high. 2 recesses. Since April 1963. | 2 | | | | D 133-135 | Washer, fibre, 12.5 x 43 x 6, with rubber washer stuck on for protection of rear flexible block. | 2 |
| D 133-60a | Clamping bracket, right and left-hand, on front crossmember upper, 4 holes 10.75 mm. | 2 | | | | D 133-136 | <i>Packing piece for adjusting rear bracket. No longer supplied.</i> | As nec. |
| D 133-102 | Bush, 9 x 14 x 19, for rubber bearing of front bracket. | 12 | | | | | | |
| DM 133-116 | Bracket for end thrust block. | 1 | | | | | | |
| D 133-117a | Housing for end thrust block. | 1 | | | | | | |
| D 133-118 | End thrust block, rubber, 51 x 30 x 30, one hole 12.5 mm diameter. | 1 | | | | | | |
| D 331-87 | Stud, securing end thrust block bracket. | 2 | D 133-6 | Flexible suspension block, rear without centre bolt. | 2 | | | |
| | | | D 133-57 | Distance piece, 12.5 x 18 x 38.5, for rear flexible block. | 2 | | | |
| | | | | REAR OF ENGINE Until June 1959 | | | | |

| NUMBER | DESCRIPTION | No. OFF | NUMBER | DESCRIPTION | No. OFF | NUMBER | DESCRIPTION | No. OFF |
|-----------|---|---------|------------------|--|---------|------------|--|---------|
| 518-S 30 | Screw, hex. head, 9 diameter x 30 long, securing rear flexible block on support (R. III). | 4 | DS 133-66 | Nut, round, (2 flats) 16 diameter x 125 pitch, for adjustment of rear flexible block. | 2 | D 133-107 | Washer, 7.5 x 26 x 4 for nuts, securing rear brackets on reinforcements. | 8 |
| 665-S | Screw, hex. head, 8 diameter x 20 long, securing rear bracket on cylinder block (R. III). | 2 | DS 133-74a | Rear engine suspension bracket, right-hand, hole for 16 mm spindle. Until September 1962. | 1 | D 133-136 | <i>Packing piece for adjusting rear bracket. No longer supplied.</i> | As nec. |
| 844-S | Screw, hex. head, 10 diameter x 20 long, securing rear bracket on cylinder block (R. III). | 4 | DS 133-74c | Rear engine suspension bracket, right-hand, hole for 16 mm spindle. Since September 1962. | 1 | DS 133-139 | Thrust plate for screw, securing rear flexible block on engine bracket, 1 hole 9.5 mm. | 4 |
| 2.301-S | Nut, hex., 12 diameter x 125 pitch, tightening lower spindle of flexible block (R. III). | 2 | DS 133-75a | Rear engine suspension bracket, left-hand, hole for 16 mm spindle. Until September 1962. | 1 | 487-S 30 | Screw, hex. head, pointed, 7 diameter x 25 long, securing rear brackets on reinforcements (R. III) | 8 |
| 2.491-S | Nut, hex., 7 diameter x 100 pitch, tightening rear brackets on reinforcements (R. III) | 8 | DS 133-75c | Rear engine suspension bracket, left-hand, hole for 16 mm spindle. Since September 1962. | 1 | 518-S 30 | Screw, hex. head, 9 diameter x 30 long, securing rear flexible suspension block on bracket (R. III). | 4 |
| 615.015 | <i>Nut, hex., 12 diameter x 125 pitch, locking cup for rear flexible block (R. III). No longer supplied.</i> | 2 | DS 133-90 | Rear engine suspension bracket, right-hand. Until September 1962. | 1 | 665-S | Screw, hex. head, 8 diameter x 20 long, securing rear support bracket on cylinder block (R. III). | 2 |
| 615.019 | Nut, hex., 12 diameter x 125 pitch, for upper fixing of rear flexible block on arm (R. III). | 2 | DS 133-90a | Rear engine suspension bracket, right-hand. Since September 1962. | 1 | 844-S | Screw, hex. head, 10 diameter x 20 long, securing rear support bracket on cylinder block (R. III). | 4 |
| | REAR OF ENGINE Since June 1959 | | DS 133-91 | Rear engine suspension bracket, left-hand. Until September 1962. | 1 | 2.491-S | Nut, hex., 7 diameter x 100 pitch, securing rear brackets on reinforcements (R. III). | 8 |
| DS 133-5 | <i>Rear flexible block with 16 mm spindle. Until September 1962. Replaced by DS 133-5b.</i> | 2 | DS 133-91a | Rear engine suspension bracket, left-hand. Since September 1962. | 1 | 2.813-S | Washer, shakeproof 16.5 x 26 for nut, locking rear flexible suspension block (R. VI). | 2 |
| DS 133-5a | <i>Rear flexible block with 16 mm spindle, (black marking). September 1962 - October 1962. Replaced by DS 133-5b.</i> | 2 | DF 133-97 | Protection shield for engine suspension flexible block, right-hand (R. VI). Right-hand drive. Until June 1964. | 1 | 615.025 | Nut, hex., 16 diameter x 125 pitch, locking rear flexible suspension block. | 2 |
| DS 133-5b | Rear flexible block, with 16 mm spindle (green marking). Since October 1962. Replaces earlier models. | 2 | <u>DS 133-97</u> | Protection shield for engine suspension on flexible block, right-hand, rear.(R. VI). All Types. Since June 1964. | 1 | | | |

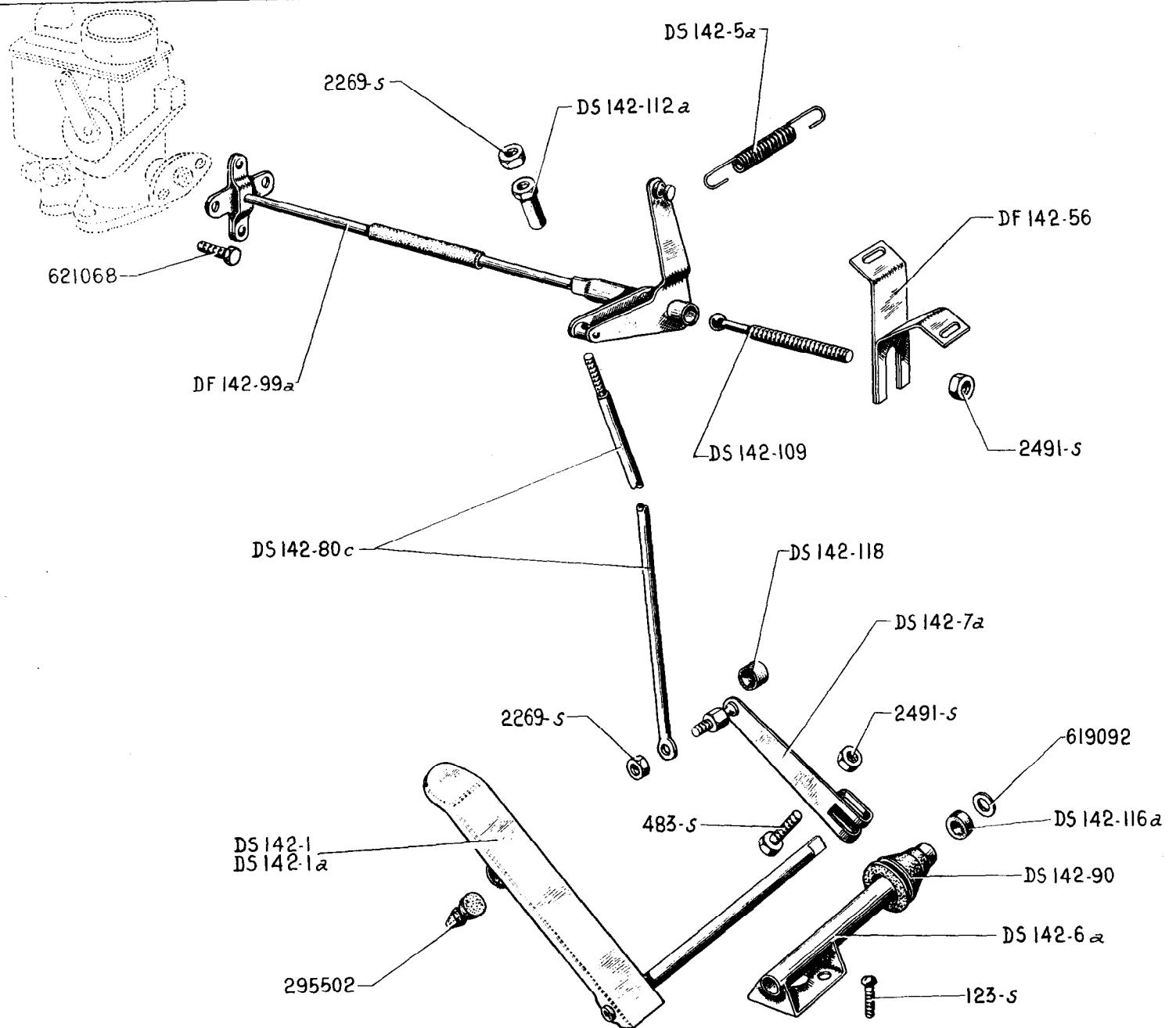
The numbers underlined indicate new parts and do not appear on the illustrations.



34—ACCELERATOR CONTROL

| NUMBER | DESCRIPTION | No. OFF | NUMBER | DESCRIPTION | No. OFF | NUMBER | DESCRIPTION | No. OFF |
|------------|--|---------|-------------|--|---------|-------------|---|---------|
| | Left-hand Steering Until May 1959 | | | | | | | |
| DM 142-1a | Accelerator pedal (distance between articulating centre and cable fixing centre 176 mm). | 1 | DM 142-29b | <i>Control cable for accelerator, 1 m long (R. VI). NORMALE. Replaced by DM 142-29d (see page 37); order in addition: 1-DM 142-160c; 1-DM 142-163d, 1-DM 142-166a (R. VI).</i> | 1 | DM 142-163c | Housing for compression spring and control cable ferrule on accelerator pedal (hole for ferrule 9 mm) (R. VI). | 1 |
| DM 142-5a | Return spring for accelerator pedal. | 1 | DM 142-82 | Threaded pin for accelerator pedal (10 diameter x 150 pitch, 55 mm long). | 1 | DM 142-166a | Thrust sleeve (nylon) for cable sheath (carburettor side) length 17 mm. Replaces steel type (R. VI). | 1 |
| DM 142-29a | <i>Control cable for accelerator pedal, 610 mm long (R. VI). LUXE. Replaced by DM 142-29c (see page 37); order in addition: 1-DM 142-160c, 1-DM 142-163d, 1-DM 142-166a (R. VI).</i> | 1 | DM 142-154a | Sheath for accelerator control cable (2 x 4.5 sold by the metre) (R. VI). | As nec. | DM 142-168 | Thrust sleeve (nylon) for cable sheath (pedal side) length 30 mm (R. VI). Since February 1958. | 1 |
| | | | DM 142-160a | Thrust block, flexible, for accelerator control cable. | 1 | 2.319-S | Nut, hex., 5 diameter x 75 pitch, securing accelerator control cable on cam (R. III). | 1 |
| | | | DM 142-162a | Compression spring for accelerator control cable (wire diameter 1.2 mm). | 1 | 2.613-S | <i>Nut, hex., 10 diameter x 150 pitch, securing pin (R. III). Replaced by 2.496-S.</i> | 1 |
| | | | | | | 2.659 | <i>Screw, hex. head, 5 diameter x 13 long, securing accelerator control cable on cam (R. III). Replaced by 283-S.</i> | 1 |

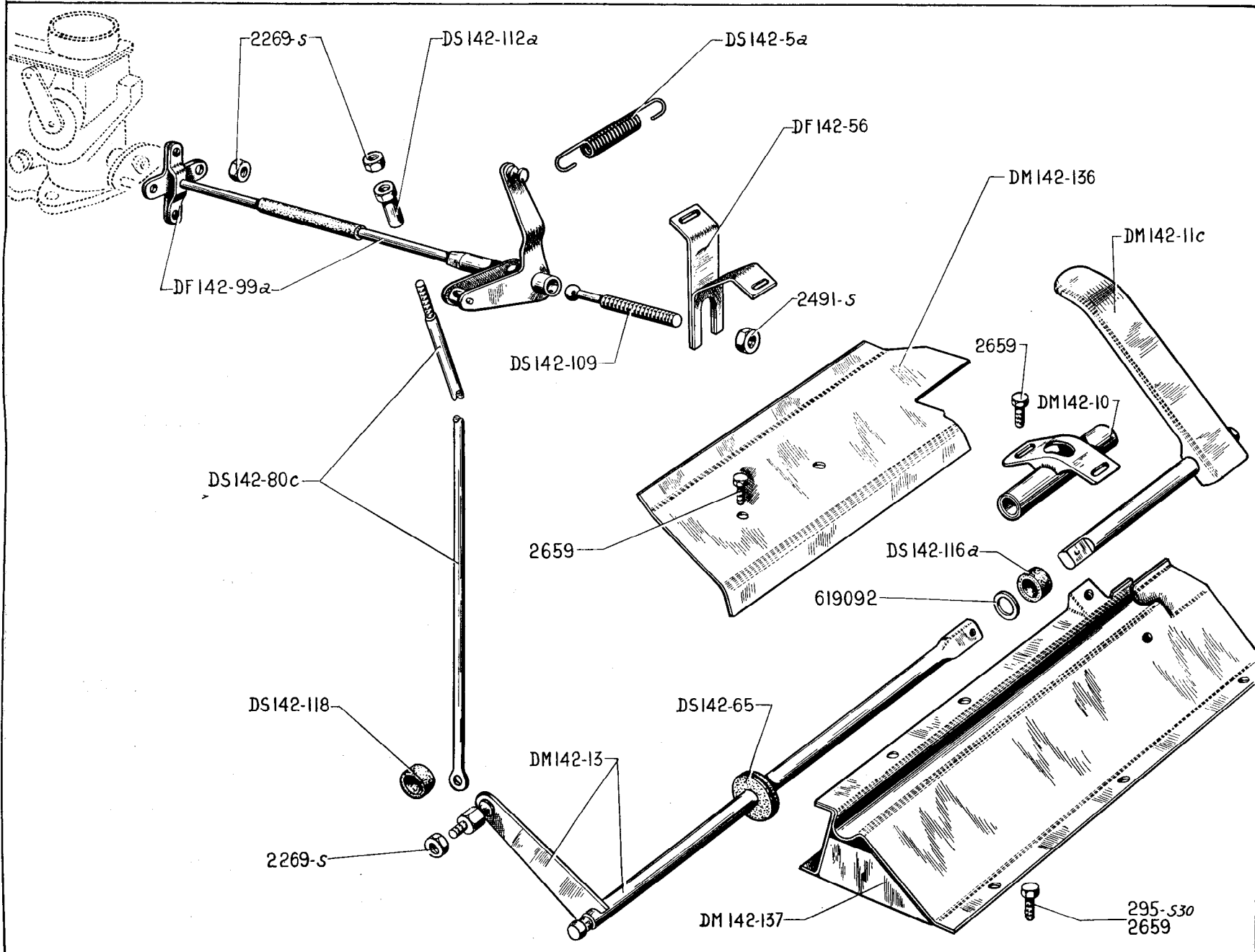
| NUMBER | DESCRIPTION | No. OFF | NUMBER | DESCRIPTION | No. OFF | NUMBER | DESCRIPTION | No. OFF |
|------------|--|---------|-------------|--|---------|-------------|--|---------|
| | Left-hand Steering May 1959 - August 1961 | | | | | | | |
| | Right-hand Steering Until August 1961 | | | | | | | |
| AZ 142-5 | Return spring, 14 x 85, for accelerator control. Left-hand steering. Since October 1960. | 1 | DM 142-30b | Cable for accelerator control, 1.355 m long (R. VI). LUXE. Right-hand steering. Until October 1960. | 1 | DM 142-162a | Thrust spring for accelerator control cable (wire diameter 1.2 mm). | 1 |
| DM 142-1c | Accelerator pedal (distance between articulating centre and cable fixing centre 190 mm). Left-hand steering. | 1 | DM 142-30c | Cable for accelerator control, 1.135 m long (R. VI). LUXE. Right-hand steering. Since October 1960. | 1 | DM 142-163d | Housing for thrust spring and control cable ferrule on accelerator pedal (hole for ferrule 6 mm diameter). | 1 |
| DM 142-5a | Return spring for accelerator control. Until October 1960. | 1 | DM 142-65 | Sealing washer for cable sheath thrust sleeve, pedal end (R. VI). | 1 | DM 142-166a | Thrust sleeve (nylon) for cable sheath (carburettor side), 17 mm long (R. VI). | 1 |
| DM 142-5b | Return spring, 10.5 x 110, for accelerator control. Right-hand steering. Since October 1960. | 1 | DM 142-82 | Threaded pin for accelerator pedal (10 diameter x 150 pitch, 55 mm long). | 1 | DM 142-168 | Thrust sleeve (nylon), for cable sheath (pedal side), 30 mm long (R. VI). | 1 |
| DM 142-11b | Accelerator pedal. Right-hand steering. | 1 | DM 142-85 | Sleeve, nylon, 5 x 7 x 16.4, for spring housing (R. VI). | 1 | DM 142-189 | Roller for anchorage of accelerator control return spring (R. VI). Since October 1960. | 1 |
| DM 142-29c | Cable for accelerator control, 700 mm long (R. VI). LUXE. Left-hand steering. | 1 | DM 142-102 | Washer, felt, under roller securing accelerator control return spring, (4.7 x 11 x 3) (R. VI). Since October 1960. | 1 | 2.319-S | Nut, hex., 5 diameter x 75 pitch, securing accelerator control cable on cam (R. III). | 1 |
| DM 142-29d | Cable for accelerator control, 1.065 m long (R. VI). NORMALE. | 1 | DM 142-116 | Washer (nylon), 5.5 x 9 x 1.2, for spring housing (R. VI). | 1 | 2.496-S | Nut, hex., 10 diameter x 150 pitch, securing pedal pin (R. III). | 1 |
| | | | DM 142-154a | Sheath for accelerator control cable (2 x 4.5 sold by the metre) (R. VI). | As nec. | 2.659-S | Screw, hex. head, 5 diameter x 13 long, securing accelerator control cable on cam (R. III). Replaced by 283-S. | 1 |
| | | | DM 142-160c | Flexible stop for accelerator pedal, 4 x 12 x 4. | 1 | | | |



38-ACCELERATOR CONTROL

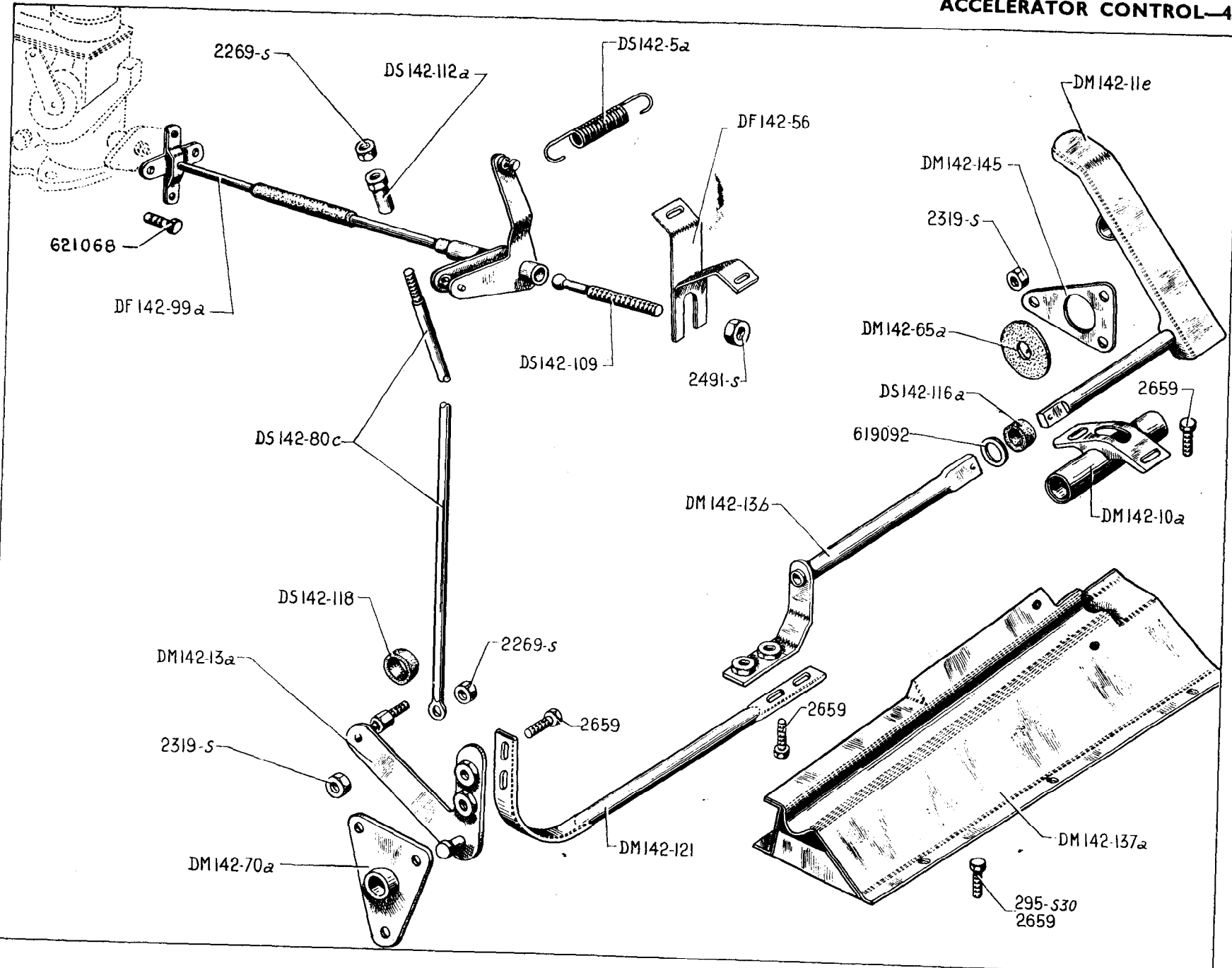
| NUMBER | DESCRIPTION | No. OFF | NUMBER | DESCRIPTION | No. OFF | NUMBER | DESCRIPTION | No. OFF |
|------------|---|---------|-------------|---|---------|----------|--|---------|
| | Left-hand Steering Since August 1961 | | DS 142-90 | Sealing sleeve for pedal pin. | 1 | 2. 269-S | Nut, hex. , 4 diameter x 75 pitch (R. III): | |
| DS 142-1 | <i>Accelerator pedal, total length 185 mm, height of stop 26 mm. Until September 1962. Replaced by DS 142-1a.</i> | 1 | DF 142-99a | Relay for control (50 mm between centres on control arm, 50 mm on return arm). | 1 | | - for control rod adjustment. | 1 |
| DS 142-1a | Accelerator pedal, total length 185 mm, height of stop 29 mm. Since September 1962. | 1 | DS 142-109 | Ball pin for relay, 10 mm diameter, 75 mm long. | 1 | 2. 491-S | Nut, hex. , 7 diameter x 100 pitch (R. III) securing: | |
| DS 142-5a | Accelerator return spring, 13.5 x 170. | 1 | DS 142-112a | Nut, hex. , with shoulder, 4 x 75, total length 15 mm for control rod adjustment. | 1 | | - accelerator control support. | 2 |
| DS 142-6a | Articulating bearing for pedal. | 1 | DS 142-116a | Washer, anti-rattle, felt, for pedal pin (9.5 x 17 x 5). | 1 | 295.502 | - ball pin for relay. | 2 |
| DS 142-7a | Lever on pedal pin. | 1 | DS 142-118 | Bush, anti-rattle, rubber, for control rod (11 x 16 x 11). | 2 | 619.092 | - lever on pedal. | 1 |
| DF 142-56 | Support (metal) for accelerator control on dashframe. | 1 | 123-S | Screw, round head, 5 diameter x 10 long, securing bearing on dashframe (R. III). | 2 | 621.068 | Rubber stop under accelerator pedal (R. IV). | 1 |
| DS 142-80c | Control rod, 565 mm long (4 mm diameter on 50 mm length). | 1 | 483-S | Screw, hex. head, 7 diameter x 15 long, securing lever on pedal (R. III). | 1 | | Thrust washer 10.5 x 16 x 1, for felt washer on pedal pin (R. I). | 1 |
| | | | | | | | Screw, hex. head, 4 x 7, securing control relay (R. VI). Since May 1963. | 2 |

40-ACCELERATOR CONTROL



ACCELERATOR CONTROL-41

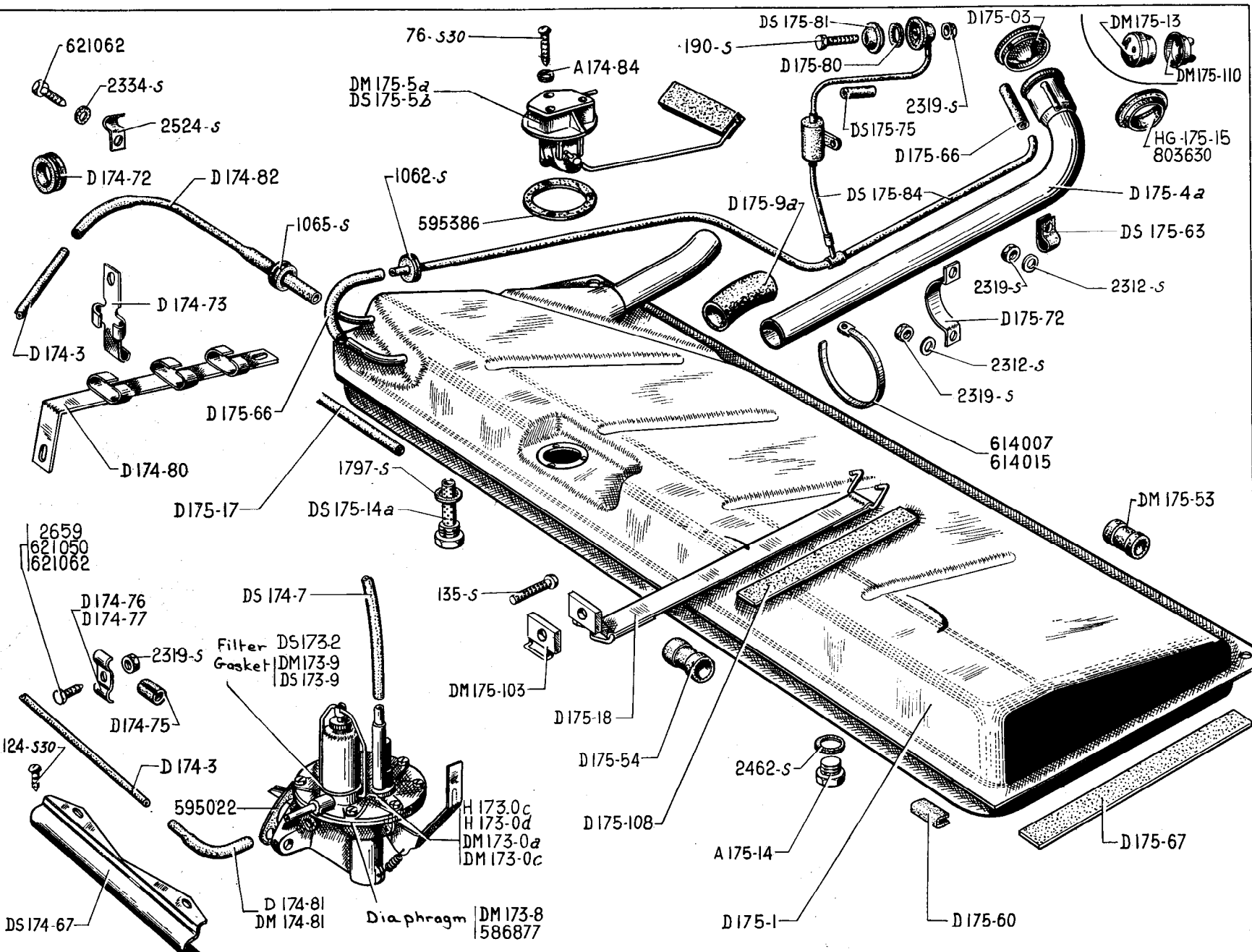
| NUMBER | DESCRIPTION | No. OFF | NUMBER | DESCRIPTION | No. OFF | NUMBER | DESCRIPTION | No. OFF |
|------------|---|---------|-------------|---|---------|----------|---|-------------|
| | Right-hand Steering August 1961—October 1962 | | DF 142-99a | Relay, for control (50 mm between centres on control arm, 50 mm on return arm). | 1 | 295-S 30 | Screw, hex. head, 5 diameter x 16 long, securing control support (R. III). | 2 |
| DS 142-5a | Return spring, 13.5 x 170 for accelerator. | 1 | DS 142-109 | Ball pin for relay, 10 mm diameter, 75 mm long. | 1 | 2.269-S | Nut, hex., 4 diameter x 75 pitch (R. III) securing: - relay. - control rod. | 2 2 |
| DM 142-10 | Articulating bearing for accelerator pedal. | 1 | DS 142-112a | Nut, hex., with shoulder, 4 diameter x 75 pitch, total length 15 mm for control rod adjustment. | 1 | 2.491-S | Nut, hex., 7 diameter x 100 pitch (R. III) securing: - support for control on dash-frame. - ball pin. | 2 1 |
| DM 142-11c | Accelerator pedal, with pin, (R. VI). | 1 | DS 142-116a | Washer, anti-rattle, felt, (9.5 x 17 x 5) for pedal pin. | 1 | 2.659 | Screw, hex. head, 5 diameter x 13 long (R. III): - for support for accelerator control on floor. - for pedal articulating bearing. - for cover plate. <i>Replaced by 283-S.</i> | 3 2 2 |
| DM 142-13 | Return lever, for accelerator control. | 1 | DS 142-118 | Bush, anti-rattle, rubber, (11 x 16 x 11) for control rod. | 2 | 619.092 | Washer, 10.5 x 16 x 1 on pedal pin (R. I). | 1 |
| DF 142-56 | Support (steel for accelerator control on dashframe). | 1 | DM 142-136 | Plate covering support for accelerator control (R. VI). | 1 | | | |
| DS 142-65 | Sealing plate, rubber, for pedal spindle (R. VI). | 1 | DM 142-137 | Support for accelerator control on panel. | 1 | | | |
| DS 142-80c | Control rod, 565 mm long (4 mm diameter on 50 mm length). | 1 | | | | | | |



42-ACCELERATOR CONTROL

| NUMBER | DESCRIPTION | No. OFF | NUMBER | DESCRIPTION | No. OFF | NUMBER | DESCRIPTION | No. OFF |
|------------|--|---------|-------------------|---|---------|----------|--|-------------|
| | RIGHT-HAND STEERING Since October 1962 | | DF 142-99a | Relay for control (50 mm between centres on control arm, 50 mm on return arm). | 1 | 295-S 30 | Screw, hex. head, 5 diameter x 16 long, securing support for accelerator pedal (R. III). | 2 |
| DS 142-5a | Return spring, 13.5 x 170, for accelerator. | 1 | DS 142-109 | Ball pin for relay, 10 mm diameter, 75 mm long. | 1 | 2.269-S | Nut, hex., 4 diameter x 75 pitch (R. III): - securing control rod adjuster. - securing relay on carburettor. - securing control rod. Until May 1963. | 1 2 2 |
| DM 142-10a | Articulating bearing for accelerator pedal. | 1 | DS 142-112a | Nut, hex. with collar, 5 diameter x 75 pitch, total length 15 mm, for control rod adjustment. | 1 | 2.319-S | Nut, hex., 5 x 75, securing return levers (R. III). | 6 |
| DM 142-11e | Accelerator pedal with pin, height of stop 32 mm (R. VI). | 1 | DS 142-116a | Washer, anti-rattle, felt, (9.5 x 17 x 5), for pedal pin. | 1 | 2.491-S | Nut, hex., 7 diameter x 100 pitch (R. III) securing: - support for accelerator control on dashframe. - ball pin for relay. | 2 1 |
| DM 142-13a | Return lever for accelerator control, left-hand (R. VI). | 1 | DS 142-118 | Bush, anti-rattle (11 x 16 x 11), for control rod. | 1 | 2.659 | <i>Screw, hex. head, 5 diameter x 13 long (R. III) securing:</i> - support for accelerator control on floor. - articulating bearing for pedal. - coupling rod. <i>Replaced by 283-S.</i> | 3 2 4 |
| DM 142-13b | Return lever for accelerator control, right-hand. | 1 | DM 142-121 | Coupling rod for return levers (R. VI). | 1 | 619.092 | Washer, 10.5 x 16 x 1, for pedal pin (R. I). | 1 |
| DF 142-56 | Support (steel), for accelerator control on dashframe. | 1 | DM 142-137a | Support for accelerator control on floor. | 1 | 621.068 | Screw, hex. head, 4 x 7, securing control relay (R. VI). Since May 1963. | 2 |
| DM 142-65a | Sealing plate, rubber for pedal pin, right-hand. | 1 | DM 142-145 | Steel plate supporting sealing plate. Until July 1965. | 1 | | | |
| DM 142-70a | Bearing, bushed, for control return lever, left-hand (R. VI). Until July 1965. | 1 | <u>DX 142-145</u> | Sealing plate, 2 holes 7 mm diameter x 66 mm between centres (R. VI). Since July 1965. | 1 | | | |
| DM 142-70c | Bearing, bushed, for control return lever, left-hand, 2 securing holes (R. VI). Since July 1965. | 1 | | | | | | |
| DS 142-80c | Control rod, 565 mm long (4 mm diameter on 50 mm length). | 1 | | | | | | |

44—PETROL SUPPLY—PETROL TANK—PUMP—PIPING

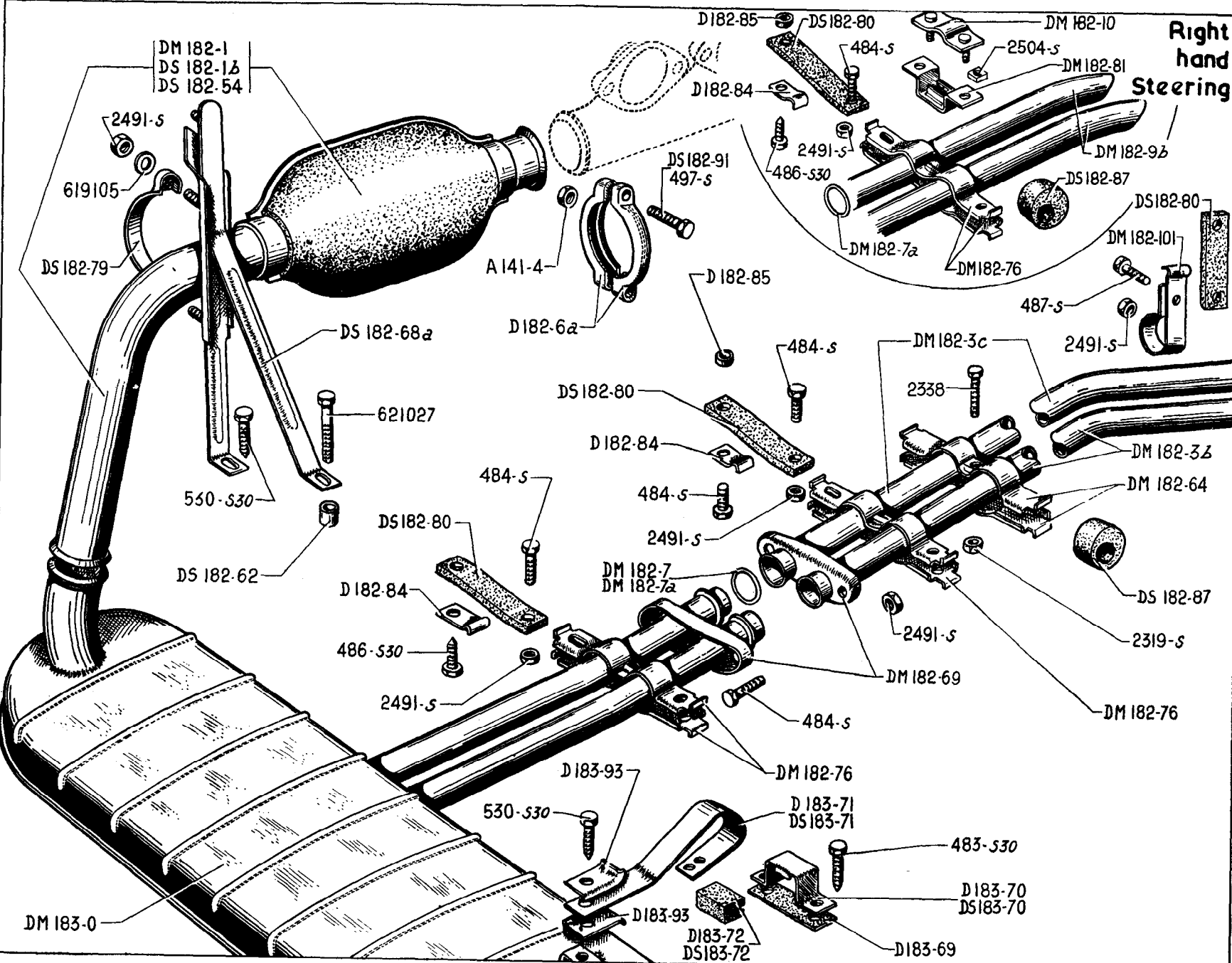


PETROL SUPPLY—PETROL TANK—PUMP PIPING—45

| NUMBER | DESCRIPTION | No. OFF | NUMBER | DESCRIPTION | No. OFF | NUMBER | DESCRIPTION | No. OFF |
|-----------|--|---------|------------|--|---------|------------|---|---------|
| A 174-84 | Joint, fibre, 4.5 x 8 x 0.5, for petrol gauge tank unit (R. VI). | 3 | D 174-77 | Clip, double only securing flexible feed pipe. Until September 1962. Since September 1962. | 4 7 | DM 175-53 | Rubber packing (transverse), for petrol tank, 47 mm long. | 4 |
| A 175-14 | Drain plug, 8 diameter x 100 pitch, 7 mm long under head (R. VI). | 1 | D 174-80 | Support for flexible feed pipe on front pillar. | 1 | D 175-54 | Rubber packing (rear), for strap securing tank, 45 mm long. | 2 |
| H 173-0c | <i>Pump complete GUIOT (fitted on cars with LUCAS electrical equipment (R. VI). U. S. A. May 1959. Replaced by H 173-0d.</i> | 1 | D 174-81 | Flexible rubber elbow for flexible tube on fuel pump. Assisted steering. Since April 1963. | 1 | D 175-60 | Rubber packing (sound deadening), for tank, 40 mm long (R. VI). | 6 |
| H 173-0d | Pump complete GUIOT (fitted on cars with LUCAS electrical equipment) (R. VI). | 1 | DM 174-81 | Elbow, rubber, (flexible), for connecting flexible feed pipe on petrol pump. | 1 | DS 175-63 | Clip securing air vent pipe (R. VI). | 2 |
| HG 175-15 | Collar, 34 x 84 x 15, for filler pipe. | 1 | D 174-82 | Flexible rubber connection, 6 x 15, connecting flexible feed pipe to tank, 280 mm long. | 1 | D 175-66 | Rubber sleeve, 11 x 18 x 147, connecting air vent pipe. | 2 |
| DM 173-0a | Pump complete AC (R. VI). | 1 | D 175-03 | Filler cap for petrol tank (R. VI). | 1 | D 175-67 | Rubber strip, 380 x 25 x 2, under tank. | 5 |
| DM 173-0c | Pump complete GUIOT (R. VI). | 1 | D 175-1 | Petrol tank (65 litres) (R. VI). | 1 | D 175-72 | Clip securing filler pipe, height 39 mm, 2 slots 60 mm between centres. | 1 |
| DS 173-2 | Filter unit RELLUMIX (R. VI). | 1 | D 175-4a | Petrol filler tube (R. VI). | 1 | DS 175-75 | Rubber sleeve, 4 x 8 x 30, protecting air vent pipe. | 3 |
| DM 173-8 | Diaphragm for AC pump (R. VI). | 1 | DM 175-5a | Petrol gauge tank unit, JAEGER, 12 volts (R. VI). Since September 1961. | 1 | D 175-80 | Rubber washer, 19 x 29 x 3, sealing cup on air vent pipe. | 1 |
| DM 173-9 | Joint for AC pump bowl (R. VI). | 1 | DS 175-5b | Petrol gauge tank unit ED (Veglia) (R. VI). | 1 | DS 175-81 | Cup, outer, for air vent pipe (R. VI). | 1 |
| DS 173-9 | Joint for GUIOT pump bowl (R. VI). | 1 | D 175-9a | Rubber connection, elbowed, for filler tube to tank, diameter 38 x 47, length 163 mm. | 1 | DS 175-84 | Air vent pipe (R. VI). | 1 |
| D 174-3 | Flexible feed pipe (nylon), from tank to pump (R. VI). | 1 | DM 175-13 | Filter for air vent pipe for tank (R. VI). Export. Since May 1960. | 1 | DM 175-103 | Front clamp for tank strap on body. | 2 |
| DS 174-7 | Flexible rubber pipe between pump and carburettor, 320 mm long. | 1 | DS 175-14a | Drain plug with filter, reserve side (20 diameter x 150 pitch), 21 mm across flats (R. VI). | 1 | D 175-108 | Protection lining for tank, 540 mm long, 50 mm wide. | 2 |
| DS 174-67 | Shield protecting flexible feed pipe. Until September 1962. | 1 | D 175-17 | Packing for sealing petrol tank access cover (R. VI). | 3 | DM 175-110 | Support for air vent pipe filter (R. VI). Export. Since May 1960. | 1 |
| D 174-72 | Grommet, rubber, 25 x 40 x 11, carrying flexible pipe through centre pillar. | 2 | D 175-18 | Strap securing petrol tank. | 2 | 76-S 30 | Screw, round head, 4 diameter x 30 long, securing petrol tank unit (R. III). | 3 |
| D 174-73 | Support for flexible feed pipe on sidemember. | 1 | | | | 124-S 30 | <i>Screw, round head, 5 diameter x 12.5 long, securing protection plate for flexible feed pipe. Until September 1962. Replaced by 2.502-S 30 (R. VI).</i> | 4 |
| D 174-75 | Bush, rubber, split, 6 x 10 x 15, protecting flexible feed pipe. | 11 | | | | | | |
| D 174-76 | Clip, double with welded screw for securing flexible feed pipe. Until September 1962. | 2 | | | | | | |

46—PETROL SUPPLY—PETROL TANK—PUMP PIPING

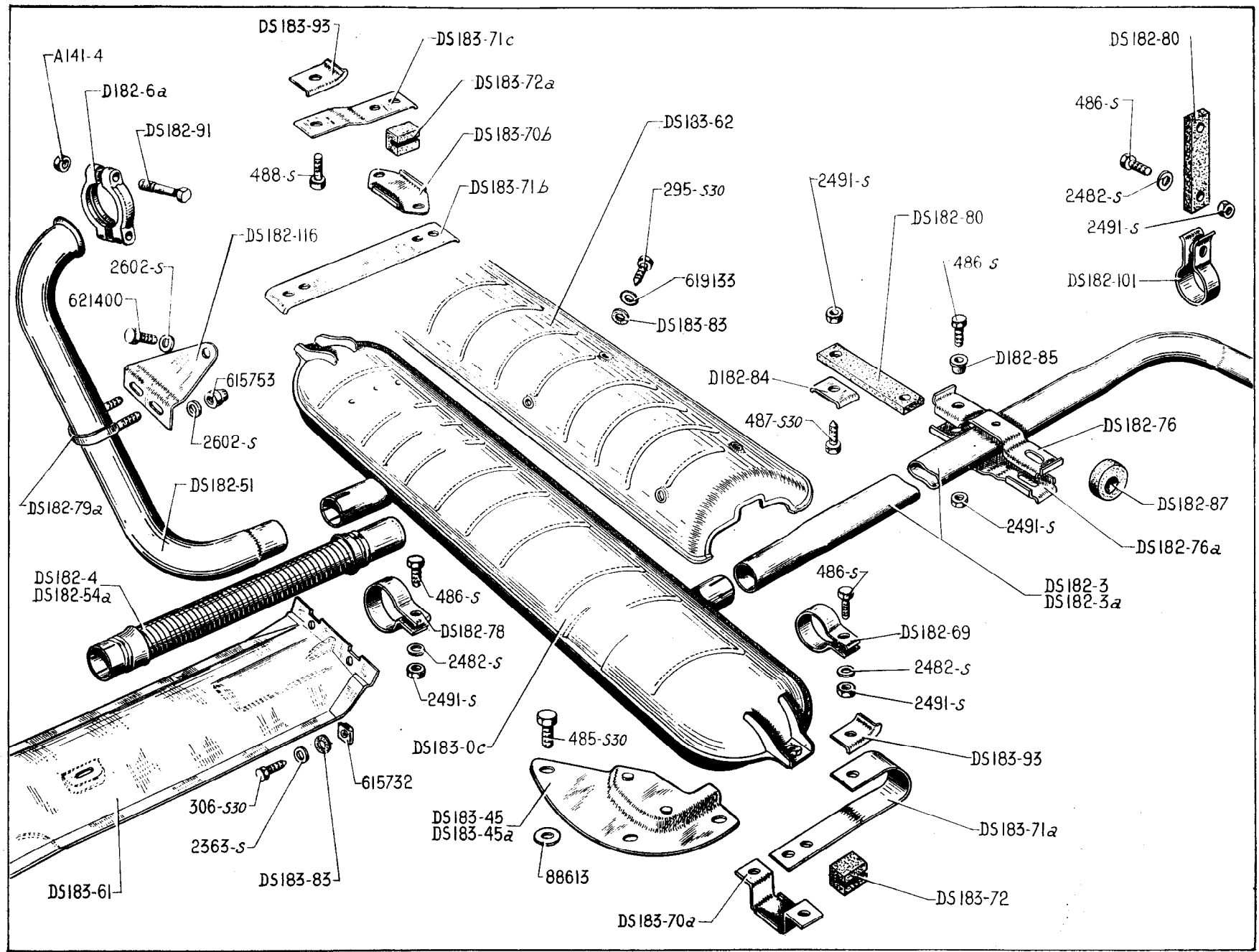
| NUMBER | DESCRIPTION | No. OFF | NUMBER | DESCRIPTION | No. OFF | NUMBER | DESCRIPTION | No. OFF |
|---------|--|---------|----------|--|------------------|---------|---|---------|
| 135-S | <i>Screw, round head, 5 diameter x 40 long, securing straps. Replaced by 2. 253-S (R. VI).</i> | 2 | 2. 319-S | Nut, hex., 5 diameter x 75 pitch (R. III) securing: - clip on filler pipe. - air pipe. - for screw cup on air vent pipe. - clip with welded screw. | 2 2 1 2 | 595.022 | Joint, between pump and cylinder block, distance between hole centres 66 mm (R. VI). | 1 |
| 190-S | <i>Screw, raised head countersunk, 5 diameter x 35 long, securing cup for air vent pipe. Replaced by 2. 302-S (R. VI).</i> | 1 | 2. 334-S | Washer, shakeproof, 5.2 x 9.4, for screws securing clips (R. VI). Until September 1962. Since September 1962. | 7 13 | 595.386 | Joint, rubber, 36 x 55 x 2, (3 holes 4.5 diameter), for petrol gauge tank unit (R. VI). | 1 |
| 1.062-S | Grommet, rubber, 12 x 21 x 5, carrying air supply pipe (R. III). | 2 | 2. 462-S | Joint, fibre, 8.2 x 12 x 1, for drain plug (R. VI). | 1 | 614.007 | Clip securing sleeve on air inlet pipe, 190 mm long (R. VI). | 4 |
| 1.065-S | Grommet, rubber, 22 x 18 x 8, carrying flexible feed pipe on body (R. III). | 3 | 2. 524-S | <i>Clip, single, securing flexible feed pipe (R. III). No longer supplied.</i> | 1 | 614.015 | Clip securing union on filler pipe, 335 mm long (R. VI). | 2 |
| 1.797-S | Joint, fibre, 20.4 x 26 x 2, for drain plug, reserve side (R. VI). | 1 | 2. 659 | <i>Screw, hex. head, 5 diameter x 13 long, securing double clip on crossmember (R. III). Since September 1962. Replaced by 283-S.</i> | 3 | 621.050 | <i>Screw, hex. head, 5 diameter x 20 long, securing double clip on side-member. Since September 1962. Replaced by 284-S 30.</i> | 7 |
| 2.312-S | Washer. 5.5 x 9 (R. III) for nuts securing: - clips on filler pipe. - air pipe. | 2 2 | 586-877 | Diaphragm for GUIOT petrol pump (R. VI). | 1 | 621.062 | <i>Screw, hex. head, 5 diameter x 14 long, securing clips for flexible feed pipe. Until September 1962. Replaced by 283-S 30.</i> | 6 |
| | | | | | | 803.630 | <i>Collar 34 x 84 x 15 for filler pipe. Replaced by: HG 175-15.</i> | 1 |

Right
hand
Steering

| NUMBER | DESCRIPTION | No. OFF | NUMBER | DESCRIPTION | No. OFF | NUMBER | DESCRIPTION | No. OFF |
|------------|--|---------|-----------|--|---------|----------|--|-------------|
| | FRONT Until September 1962 | | | | | | | |
| A 141-4 | Nut, hex., 7 diameter x 100 pitch, securing half clips. | 4 | DM 183-0 | Exhaust silencer. | 1 | 44-S | Screw, hex. head, 7 diameter x 17.5 long assembling: - flange for outlet pipes. - half clips, front and centre of outlet pipes. - rubber straps, centre and rear, supporting clips. | 2 4 3 |
| DM 182-1 | Front pipe, without expansion chamber, non-developed length 675 mm. NORMALE. | 1 | D 183-69 | Plate, fibre, 72 x 35 x 2, between crossmember and clamp securing silencer spring support (R. VI). Until March 1959. | 1 | 486-S 30 | Screw, hex. head, 7 diameter x 22.5 long, pointed, securing rubber straps for outlet pipes from silencer. | 2 |
| DS 182-1b | <i>Expansion chamber with pipe, CONFORT. Until December 1959. Replaced by DS 182-54.</i> | 1 | D 183-70 | Clamp securing silencer spring support. Until March 1959. | 1 | 497-S | Screw, hex. head, 7 diameter x long, securing half clips assembling expansion chamber and front pipe (R. III). Until February 1960. | 4 |
| D 182-6a | Half clip, assembling expansion chamber on manifold and silencer. | 4 | DS 183-70 | Clamp securing silencer spring support, fixing holes 60 mm between centres. Since March 1959. | 1 | 530-S 30 | Screw, hex. head, pointed, 9 diameter x 22 long securing: - bracket for clip for expansion chamber and front pipe. - spring support on silencer support plate. | 1 1 |
| DS 182-54 | Front pipe without expansion chamber, non-developed length 623 mm. LUXE. | 1 | D 183-71 | Spring support for silencer. Until March 1959. | 1 | 2.491-S | Nut, hex., 7 diameter x 100 pitch: - tightening clip for expansion chamber and front pipe on support. - rubber straps on half clips, front, centre and rear clip. - flange of outlet pipes. | 2 6 2 |
| DS 182-62 | Distance piece, 9.5 x 18 x 18, for support of securing clip of expansion chamber and front pipe. | 1 | DS 183-71 | Spring support for silencer, total length 115 mm. Since March 1959. | 1 | 619.105 | Washer, 7.5 x 14 x 2, for nuts, securing clip for expansion chamber and front pipe on support. | 2 |
| DS 182-68a | Bracket for securing clip of expansion chamber and front pipes with welded screws. | 1 | D 183-72 | Rubber packing, 35 x 27 x 10, retaining spring support for silencer. Until March 1959. | 2 | 621.027 | Screw, hex. head, 9 diameter x 50 long, securing support for clip for expansion chamber and front pipe. | 1 |
| DM 182-69 | Flange for assembling outlet pipes. | 2 | DS 183-72 | Rubber packing, grooved, 35 x 23.5 x 17, retaining spring for exhaust silencer. Since March 1959. | 2 | | | |
| DS 182-79 | Clip securing expansion chamber and front pipe on bracket. | 1 | D 183-93 | Plate, 40 x 27 x 1.8 (1 hole 9.5 mm diameter) securing spring support for silencer. | 2 | | | |
| DS 182-91 | Screw, round head, (2 flats), 7 diameter x 52 long, tightening half clips securing front exhaust pipe on manifold and silencer. Since February 1960. | 4 | 483-S 30 | Screw, hex. head, 7 diameter x 15 long, securing clamp for silencer spring support. | 2 | | | |

50—EXHAUST

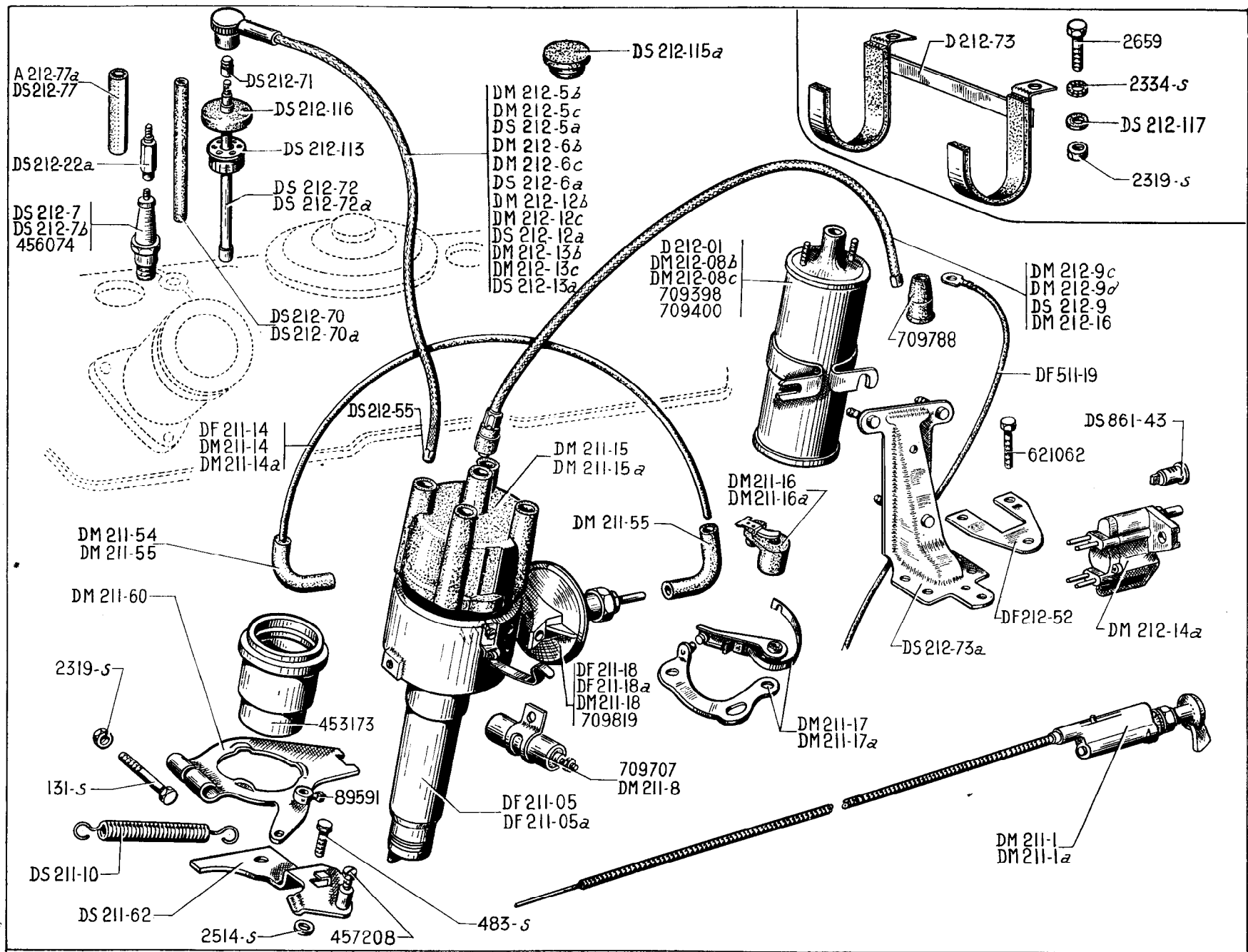
| NUMBER | DESCRIPTION | No. OFF | NUMBER | DESCRIPTION | No. OFF | NUMBER | DESCRIPTION | No. OFF |
|------------|--|---------|-----------|---|-------------|-----------|---|---------|
| | REAR Left-hand Steering Until September 1962 | | | | | | | |
| DM 182-3b | Outlet exhaust pipe, left-hand (marked with paint) (R. VI). | 1 | 484-S | Screw, hex. head, 7 diameter x 17.5 long securing: - flange for outlet pipes. - front half clips and centre of outlet pipes. - rubber strap for rear support of clips. | 2 4 1 | DM 182-9b | Exhaust outlet pipe right and left-hand. | 2 |
| DM 182-3c | Outlet exhaust pipe, right-hand (without mark) (R. VI). | 1 | 486-S 30 | Screw, hex. head, pointed, 7 diameter x 22.5 long, securing rubber straps for outlet pipes under body (R. III). | 4 | DM 182-10 | Clamp with screw securing rear of outlet pipe. | 2 |
| DM 182-7 | <i>Joint, round, 28 x 35 x 3.5, between pipe and exhaust outlet under body (R. VI). Until May 1960. Replaced by DM 182-7a.</i> | 2 | 487-S | Screw, hex. head, 7 diameter x 25 long, securing rear clips for outlet pipes (R. III). | 1 | DM 182-76 | Half clip securing outlet pipes under body. | 6 |
| DM 182-7a | Joint, round, (copper), 28 x 35, between pipe and exhaust outlet under body (R. VI). Since May 1960. | 2 | 2.319-S | Nut, hex., 5 diameter x 75 pitch, for screw securing rear half clips of outlet pipe (R. III). | 1 | DS 182-80 | Rubber strap, 90 x 30 x 8, securing outlet pipes under body, 2 holes 10.2 diameter at 62 mm between centres without distance piece. | 6 |
| DM 182-64 | Half collar for rear fixing of outlet pipe. - Until June 1961. - Since June 1961. | 2 4 | 2.338 | <i>Screw, hex. head, 5 diameter x 20 long, securing rear half clips of outlet pipes (R. III). - Until June 1961. - Since June 1961. Replaced by 284-S.</i> | 1 2 | DM 182-81 | Support securing rear of outlet pipe. | 2 |
| DM 182-76 | Half clip securing outlet pipe under body. | 4 | 2.491-S | Nut, hex., 7 diameter x 100 pitch (R. III): - securing rubber strap on front, centre and rear half clips. - for flange of outlet pipe. | 6 2 | D 182-84 | Plate, 28 x 28 x 1.5, 1 hole 7.5 diameter for securing rubber strap for outlet pipes (R. VI). | 6 |
| DS 182-80 | Rubber strap, 90 x 30 x 8, securing outlet pipes under body, 2 holes 10.2 diameter at 62 mm between centres, without distance piece. | 5 | | | | D 182-85 | Distance piece, 8 x 10 x 7, for rubber strap (R. VI). | 12 |
| D 182-84 | Plate, 28 x 28 x 1.5, 1 hole 7.5 diameter for tightening rubber strap of outlet pipe (R. VI). | 4 | | | | DS 182-87 | Rubber stop protecting outlet pipes. | 6 |
| D 182-85 | Distance piece, 8 x 10 x 7, for rubber strap (R. VI). | 8 | | | | 484-S | Screw, hex. head, 7 diameter x 17.5 long, assembling half clips (R. III). | 6 |
| DS 182-87 | Rubber block protecting outlet pipes. | 6 | | | | 486-S 30 | Screw, hex. head, 7 diameter x 22.5 long, securing rubber straps on body (R. III). | 6 |
| DM 182-101 | Clip, securing rear of outlet pipes. | 2 | | | | 2.491-S | Nut, hex., 7 diameter x 100 pitch, securing rubber strap on half clip (R. III). | 6 |
| | | | | REAR Right-hand Steering Until September 1962 | | 2.504-S | Nut, square, 7 diameter x 100 pitch, tightening screw for plate securing rear of outlet pipes (R. III). | 2 |
| | | | DM 182-7a | Joint, round (copper), 28 x 35 x 3.5, between pipe and exhaust outlet under body (R. VI). | 2 | | | |



| NUMBER | DESCRIPTION | No. OFF | NUMBER | DESCRIPTION | No. OFF | NUMBER | DESCRIPTION | No. OFF |
|------------|--|---------|-------------------|---|---------|------------|--|-------------|
| | Since September 1962 | | | | | | | |
| A 141-4 | Nut, hex., 7 diameter x 100 pitch, securing half clips. | 2 | DS 182-80 | Rubber strap, 90 x 30 x 8, for outlet pipe under body, 2 holes 10.2 mm diameter at 62 mm between centres. L.H. steering. R.H. steering. | 3 4 | DS 183-45a | Support clamp securing support spring for silencer, right-hand. Replaced by DX 183-45a. | 1 |
| DS 182-3 | Exhaust outlet pipe, under body (R. VI). Left-hand steering. | 1 | D 182-84 | Plate, 28 x 28 x 1.5, 1 hole 7.5 diameter securing rubber strap (R. VI). | 2 | DS 183-61 | Shield for connecting pipe. Replaced by DX 183-61. | 1 |
| DS 182-3a | Exhaust outlet pipe, under body (R. VI). Right-hand steering. | 1 | D 182-85 | Distance piece, 10 x 8 x 7, for rubber strap (R. VI). L.H. steering. R.H. steering. | 6 8 | DS 183-62 | Shield for exhaust silencer. Replaced by DX 183-62. | 1 |
| DS 182-4 | Intermediate inlet pipe to silencer (R. VI). Since January 1963. | 1 | DS 182-87 | Rubber buffer for protection of outlet pipe. L.H. steering. R.H. steering. | 2 4 | DS 183-70a | Clamp securing support spring for silencer. Until October 1962. Since October 1962. | 2 4 |
| D 182-6a | Half clip, assembling connecting pipe on front pipe. | 2 | DS 182-91 | Screw, round head, (2 flats), for half clips, assembling connecting pipe on front pipe. | 2 | DS 183-70b | Intermediate plate between spring clamps, upper and lower. Since October 1962. | 2 |
| DS 182-51 | Front exhaust pipe. | 1 | DS 182-101 | Clip securing outlet pipe under body (rear part). Left-hand steering. | 1 | DS 183-71a | Support spring for silencer. Until October 1962. L.H. Since October 1962. | 2 1 |
| DS 182-54a | Connecting pipe between front tube and expansion chamber (R. VI). Until January 1963. Replaced by DS 182-4. | 1 | DS 182-116 | Plate securing front exhaust pipe. | 1 | DS 183-71b | Spring, lower, right-hand, for silencer suspension. Since October 1962. | 1 |
| DS 182-69 | Clip securing outlet pipe under body (front part). | 1 | <u>DV 182-124</u> | Gusset shield for engine housing, right-hand. | 1 | DS 183-71c | Spring, lower, right-hand, for silencer suspension. Since October 1962. | 1 |
| DS 182-76 | Half clip, upper, securing outlet pipe under body. L.H. steering. R.H. steering. | 1 2 | <u>DS 182-125</u> | Insulating fibre washer for gusset shield for engine housing (R. VI). | 5 | DS 183-72 | Packing, rubber split 35 x 23.5 x 17, retaining springs for silencer support. Until October 1962. Left-hand. Since October 1962. For lower spring, right-hand. Since October 1962. | 2 2 4 |
| DS 182-76a | Half clip, lower, securing outlet pipe under body. L.H. steering. R.H. steering. | 1 2 | DS 183-0c | Exhaust silencer. | 1 | DS 183-72a | Packing, rubber, split, 35 x 23.5 x 17, retaining upper spring, right-hand, for silencer support (white paint mark). Since October 1962. | 2 |
| DS 182-78 | Clip, assembling connecting pipe on front pipe and expansion chamber. | 2 | DS 183-45 | Support clamp, securing support spring for silencer, left-hand. Replaced by DX 183-45. | 1 | DS 183-83 | Washer, (fibre), 24 x 8.2 x 2, for screws securing screens (R. VI). | 2 |
| DS 182-79a | Clip, securing connecting tube. | 1 | | | | DS 183-93 | Plate, 40 x 27 x 1.8, 1 hole 7.5 mm diameter, securing springs for silencer support. | 4 |

The numbers underlined indicate new parts which do not appear on the illustration.

| NUMBER | DESCRIPTION | No. OFF | NUMBER | DESCRIPTION | No. OFF | NUMBER | DESCRIPTION | No. OFF |
|----------|--|-------------|---------|---|------------------|---------|---|---------|
| 295-S 30 | Screw, hex. head, pointed, 5 diameter x 16 long, securing screens. | 8 | 488-S | Screw, hex. head, 7 diameter x 28 long, securing plate for support spring for silencer. | 2 | .602-S | Washer, plain, 10.5 x 22, for screw securing front pipe on plate. | 1 |
| 306-S 30 | Screw, hex. head, pointed, 6 diameter x 20 long, securing screen for connecting pipe on screen for silencer. | 2 | 2.363-S | Plain washer, 6.5 x 14, for screw securing screen for connecting pipe on screen for silencer. | 2 | 88.613 | Washer, plain, 7.5 x 30 x 2.4, for screw securing support clamp. | 6 |
| 485-S 30 | Screw, hex. head, pointed, 7 diameter x 20 long, securing support clamps. | 6 | 2.482-S | Washer, plain, 7.5 x 14, for screw securing clip and flexible strap. L.H. steering. R.H. steering. | 11 13 | 615.732 | Nut clip for screws securing screen for connecting pipe on screen for silencer (R. VI). | 2 |
| 486-S | Screw, hex. head, 7 diameter x 22.5 long securing: - clip on connecting pipe. - clip on outlet pipe. - flexible strap on support and clip. L.H. steering. | 2 3 2 | 2.491-S | Nut, hex., 7 diameter x 100 pitch securing: - fixing clips. - clamp on support. - flexible strap. L.H. steering. R.H. steering. | 5 4 2 4 | 615.753 | <i>Nut, special, for securing clip on plate for fixing front pipe (R. VI). Replaced by 615.775.</i> | 2 |
| 487-S 30 | Screw, hex. head, pointed, 7 diameter x 25 long, securing flexible strap under body. L.H. steering. R.H. steering. | 2 4 | | | | 619.133 | Washer, plain, 5.25 x 15 x 1.5, for screw securing screens. | 8 |
| | | | | | | 621.400 | Screw, 10 x 28, securing plate fixing front tube. | 1 |



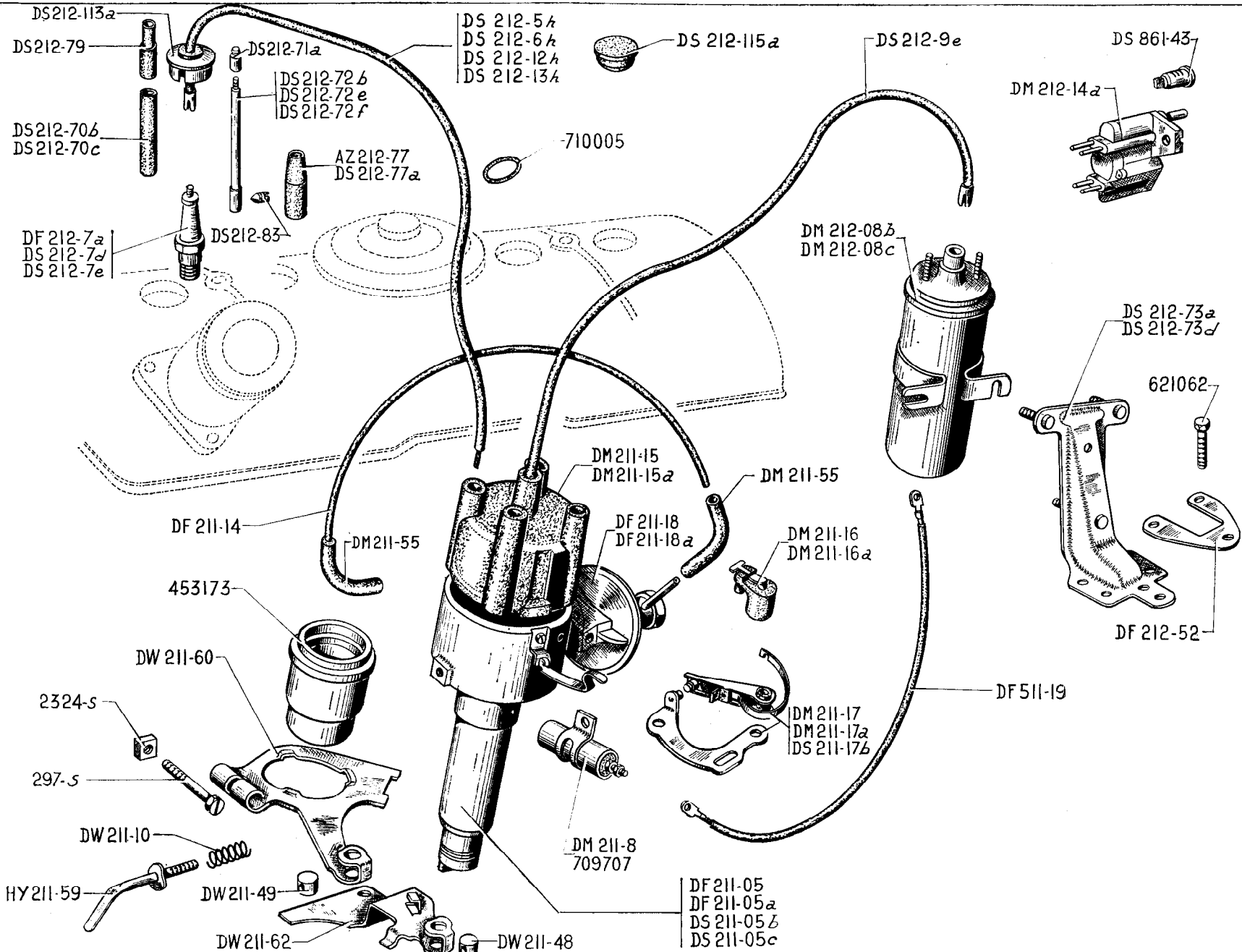
54—DISTRIBUTOR AND COIL—IGNITION CIRCUIT—IGNITION CONTROLS

| NUMBER | DESCRIPTION | No. OFF | NUMBER | DESCRIPTION | No. OFF | NUMBER | DESCRIPTION | No. OFF |
|------------|--|---------|------------|--|---------|------------|--|---------|
| | Until April 1962 | | | | | | | |
| A 212-77a | Rubber protector, 6.5 x 15 x 60, for sparking plug (R. VI). Until January 1960. | 4 | DF 211-18 | Suction unit Ducellier (R. VI). Since August 1961. | 1 | DM 212-6b | Lead for sparking plug, distributor to number 2 cylinder, length 365 mm. NORMALE. | 1 |
| DF 211-05 | <i>Distributor Ducellier (R. VI). Replaced by DF 211-05b.</i> | 1 | DF 211-18a | Suction unit, SEV (R. VI). Since August 1961. | 1 | DM 212-6c | Lead for sparking plug, distributor to number 2 cylinder, length 380 mm. LUXE. Until August 1961. | 1 |
| DF 211-05a | <i>Distributor SEV (R. VI). Replaced by DF 211-05c.</i> | 1 | DM 211-18 | Suction unit, SEV (R. VI). Until August 1961. | 1 | DS 212-6a | Lead for sparking plug, distributor to number 2 cylinder, length 400 mm. LUXE. Since August 1961. | 1 |
| DM 211-1 | Ignition control, 440 mm long (R. VI). Until September 1960. | 1 | DM 211-54 | Union, 3.8 x 11 x 38, for suction pipe. NORMALE. | 1 | DS 212-7 | Sparking plug "MARCHAL", 14 mm diameter (35 B) (R. VI). LUXE. | 4 |
| DM 211-1a | Ignition control, 440 mm long (R. VI). Since September 1960. | 1 | DM 211-55 | Union, rubber, for suction pipe. LUXE. NORMALE. | 2 | DS 212-7b | Sparking plug, AC, 14 mm diameter (44 F) (R. VI). | 4 |
| DM 211-8 | Condenser Ducellier (R. VI). | 1 | DM 211-60 | Distributor lever. | 1 | DM 212-9c | Lead from distributor to coil, 345 mm long. Until August 1961. | 1 |
| DS 211-10 | Return spring for distributor, external diameter 9 mm, length 70 mm. | 1 | DS 211-62 | Bracket with trunion securing distributor. | 1 | DM 212-9d | Lead from distributor to coil, 345 mm long. NORMALE. | 1 |
| DF 211-14 | Pipe, 3 x 4, (Rilsan), for suction unit, 300 mm long (R. VI). LUXE. Since August 1961. | 1 | D 212-01 | <i>Ignition coil (R. VI). Until November 1957. Replaced by 709.398 or 709.400. See Technical Note No. 682.</i> | 1 | DS 212-9 | Lead from distributor to coil, 405 mm long. Since August 1961. | 1 |
| DM 211-14 | Pipe, 3 x 4 (Rilsan), for suction unit, length 900 mm (R. VI). NORMALE. | 1 | DM 212-08b | Ignition coil, 12 volts, Ducellier (R. VI). U. S. A. - TAXI. All Types. Since September 1960. | | DM 212-12b | <i>Sparking plug lead, distributor to number 3 cylinder, 245 mm long. NORMALE. No longer supplied.</i> | 1 |
| DM 211-14a | Pipe, 3 x 4 (Rilsan) for suction unit 470 mm long (R. VI). LUXE. Until August 1961. | 1 | DM 212-08c | Ignition coil, 12 volts, SEV (R. VI) TAXI. All Types except U. S. A. Since September 1960. | 1 | DM 212-12c | Sparking plug lead, distributor to number 3 cylinder, 265 mm long. LUXE. Until August 1961. | 1 |
| DM 211-15 | Distributor head Ducellier (R. VI). | 1 | DM 212-5b | <i>Lead for sparking plug, distributor to number 1 cylinder, length 415 mm. NORMALE. No longer supplied.</i> | 1 | DS 212-12a | Sparking plug lead, distributor to number 3 cylinder, 290 mm long. LUXE. Since August 1961. | 1 |
| DM 211-15a | Distributor head SEV (R. VI). | 1 | DM 212-5c | Lead for sparking plug, distributor to number 1 cylinder, length 425 mm. LUXE. Until August 1961. | 1 | DM 212-13b | <i>Sparking plug lead, distributor to number 4 cylinder, 270 mm long. LUXE. Until August 1961.</i> | 1 |
| DM 211-16 | Rotor, Ducellier (R. VI). | 1 | DS 212-5a | Lead for sparking plug, distributor to number 1 cylinder, length 460 mm. LUXE. Since August 1961. | 1 | DM 212-13c | Sparking plug lead, distributor to number 4 cylinder, 270 mm long. LUXE. Until August 1961. | 1 |
| DM 211-16a | Rotor, SEV (R. VI). | 1 | | | | DS 212-13a | Sparking plug lead, distributor to number 4 cylinder, 405 mm long. LUXE. Since August 1961. | 1 |
| DM 211-17 | Contact breaker complete, Ducellier (R. VI). | 1 | | | | DM 212-14a | Ignition switch and starter control without lock barrel (R. VI). | 1 |
| DM 211-17a | Arm with contact point SEV (R. VI). | 1 | | | | | | |

DISTRIBUTOR AND COIL-IGNITION CIRCUIT-IGNITION CONTROLS-57

| NUMBER | DESCRIPTION | No. OFF | NUMBER | DESCRIPTION | No. OFF | NUMBER | DESCRIPTION | No. OFF |
|------------|---|---------|-------------|--|---------|---------|---|---------|
| DM 212-16 | Lead from distributor to coil, 12 volts (LUCAS arrangement). U. S. A. | 1 | DS 212-73a | Support for coil. LUXE. Since August 1961. | 1 | 2.334-S | Washer, shakeproof, 5.2 x 9.4, for screw securing coil support (R. VI). Until November 1957. | 2 |
| DS 212-22a | End piece for sparking plug suppressor, Marchal (R. VI). Since January 1960. | 4 | DS 212-77 | Protector, 9 x 12 x 70, for sparking plug suppressor connection (R. VI). Since January 1960. | 4 | 2.514-S | Washer, shakeproof, 7.3 x 12, for screw securing plate and lever (R. VI). | 1 |
| DF 212-52 | Reinforcing plate for coil support. LUXE. Since August 1961. | 1 | DS 212-113 | Plug for sparking plug (R. VI). LUXE. | 4 | 2.659 | <i>Screw, hex. head, 5 diameter x 13 long, securing support for coil (R. III). Until November 1957. Replaced by 283-S.</i> | 2 |
| DS 212-55 | End piece for sparking plug lead (R. VI). | 5 | DS 212-115a | Plug, rubber, closing hole 40 mm diameter for passage of sparking plug spanner in scuttle. | 1 | 89.591 | Screw, square head, 4 x 8, securing cable (R. III). | 1 |
| DS 212-70 | Insulating sleeve for sparking plug connecting rod, length 112 mm (R. VI). LUXE. Until January 1960. | 4 | DS 212-116 | Cap, rubber, for sparking plug, internal diameter 41 mm. LUXE. | 4 | 453.173 | Housing for distributor (R. VI). | 1 |
| DS 212-70a | Insulating sleeve for sparking plug suppressor connecting rod (R. VI). Since January 1960. | 4 | DS 212-117 | <i>Washer, rubber, 4 x 10 x 1 under screw, securing support for coil. LUXE. Until November 1957. No longer supplied.</i> | 2 | 456.074 | Sparking plug Marchal (CR 35) (R. VI). NORMALE. | 4 |
| DS 212-71 | End piece, upper, on sparking plug connecting rod (R. VI). LUXE. | 4 | DF 511-19 | Lead for coil to distributor, 450 mm long. LUXE. Since August 1961. | 1 | 457.208 | Screw, hex. head, slotted, 5 diameter x 7.5 long, securing sheath for ignition control (R. III). | 1 |
| DS 212-72 | <i>Rod only, for sparking plug connection, 135 mm long (threaded 4 diameter x 75 pitch) (R. VI). LUXE. Until January 1960. Replaced by DS 212-72a; order in addition: 1-DS 212-22a, 1-DS 212-70a.</i> | 4 | DS 861-13 | Set of 4 lock barrels for ignition switch and doors (R. VI). | 1 | 621.062 | <i>Screw, hex. head, 5 diameter x 14 long, securing support for coil (R. III). Since August 1961. Replaced by 283-S 30.</i> | 2 |
| DS 212-72a | Sparking plug connecting rod with suppressor, 110 mm long (threaded 4 diameter x 75 pitch) (R. VI). Since January 1960. | 4 | 131-S | Screw, round head, 5 diameter x 30 long, securing distributor lever (R. III). | 1 | 709.398 | Coil, 6 volts, SEV (R. VI). November 1957 - September 1960. | 1 |
| D 212-73 | <i>Support for coil. LUXE. Until November 1957. No longer supplied.</i> | 1 | 483-S | Screw, hex. head, 7 diameter x 15 long, securing plate and lever (R. III). | 2 | 709.400 | Coil, 6 volts, distributor Ducellier (R. VI). November 1957 - September 1960. | 1 |
| | | | 2.319-S | Nut, hex., 5 diameter x 75 pitch (R. III): - for screws securing coil support - distributor lever. | 2 1 | 709.707 | Condenser SEV (R. VI). | 1 |
| | | | | | | 709.788 | Rubber protector coil side (R. VI). | 1 |
| | | | | | | 709.819 | Suction unit Ducellier (R. VI). Until August 1961. | 1 |

60—DISTRIBUTOR AND COIL—IGNITION CIRCUIT—IGNITION CONTROLS "LUXE"

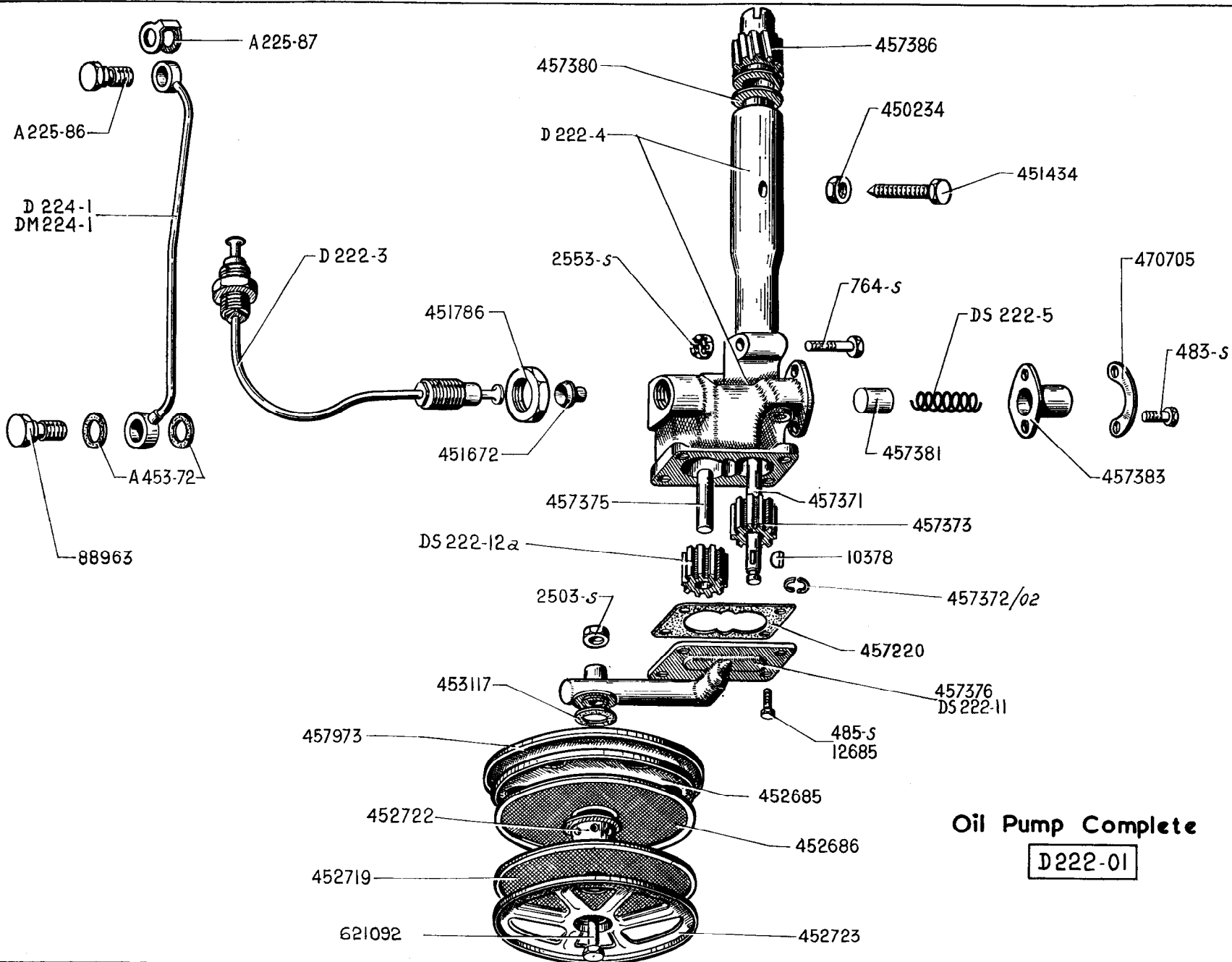


58—DISTRIBUTOR AND COIL—IGNITION CIRCUIT—IGNITION CONTROLS "LUXE"

| NUMBER | DESCRIPTION | No. OFF | NUMBER | DESCRIPTION | No. OFF | NUMBER | DESCRIPTION | No. OFF |
|-------------------|--|---------|-------------------|---|---------|-------------------|---|---------|
| | Since April 1962 | | | | | | | |
| AZ 212-77 | Protector for sparking plug (R. VI). | 4 | DF 211-14 | Suction pipe, 3 x 4 (Rilsan), 300 mm long, for suction intake (R. VI). BERLINE. Until September 1964. | 1 | <u>DS 212-04e</u> | Set of leads for sparking plug and coil (R. VI). | 1 |
| HY 211-59 | Adjusting spindle for distributor, threaded 5 x 75 (R. VI). | 1 | DM 211-15 | Distributor head, Ducellier (R. VI). | 1 | DM 212-08b | Coil, 12 volts, Ducellier (R. VI). | 1 |
| DF 211-05 | <i>Distributor, Ducellier (R. VI). BERLINE. Until February 1964. Replaced by DF 211-05b.</i> | 1 | DM 211-15a | Distributor head, SEV (R. VI). | 1 | DM 212-08c | Coil, 12 volts, SEV (R. VI). Except U. S. A. | 1 |
| DF 211-05a | <i>Distributor, SEV (R. VI). BERLINE. Until February 1964. Replaced by DF 211-05c.</i> | 1 | DM 211-16 | Rotor, Ducellier (R. VI). | 1 | DS 212-5h | Sparking plug lead, distributor to number 1 cylinder, 520 mm long (R. VI). | 1 |
| <u>DF 211-05b</u> | Distributor, Ducellier (R. VI). BERLINE. February 1964 - September 1964. | 1 | DM 211-16a | Rotor, SEV (R. VI). | 1 | DS 212-6h | Sparking plug lead, distributor to number 2 cylinder, 470 mm long (R. VI). | 1 |
| <u>DF 211-05c</u> | Distributor, SEV (R. VI). BERLINE. Except U. S. A. February 1964 - September 1964. | 1 | <u>DM 211-16b</u> | Rotor, Ducellier (when fitted radio with MF) (R. VI). Since June 1965. | 1 | DF 212-7a | Sparking plug, Champion, 14 mm (L 10) (R. VI). U. S. A. Since March 1963. | 4 |
| <u>DM 211-05e</u> | Distributor, Ducellier, without suction unit (R. VI). BERLINE. Since September 1964. | 1 | DM 211-17 | Contact breaker complete, Ducellier (R. VI). BERLINE. Until September 1964. | 1 | DS 212-7d | Sparking plug, Marchal 14 mm, end piece threaded 4 x 70 (R. VI). All Types. U. S. A. Until March 1963. | 4 |
| <u>DM 211-05f</u> | Distributor, SEV, without suction unit (R. VI). BERLINE. Except U. S. A. Since September 1964. | 1 | DM 211-17a | Arm with contact, SEV (R. VI). | 1 | DS 212-7e | Sparking plug, A. C. 14 mm, end piece threaded 4 x 70 (43 F) (R. VI). BERLINE. U. S. A. Until March 1963. | 4 |
| DS 211-05b | Distributor, Ducellier (R. VI). CABRIOLET. | 1 | DS 211-17b | Contact breaker complete, Ducellier (R. VI). CABRIOLET. BERLINE. Since September 1964. | 1 | DS 212-9e | Lead from distributor to coil, 405 mm long (R. VI). | 1 |
| DS 211-05c | Distributor, SEV (R. VI). CABRIOLET. | 1 | DF 211-18 | Suction unit, Ducellier (R. VI). BERLINE. Until September 1964. | 1 | DS 212-12h | Sparking plug lead, distributor to number 3 cylinder, 370 mm long (R. VI). | 1 |
| DM 211-8 | Condenser, Ducellier (R. VI). | 1 | DF 211-18a | Suction unit, SEV (R. VI). BERLINE. Until September 1964. | 1 | DS 212-13h | Sparking plug lead, distributor to number 4 cylinder, 370 mm long (R. VI). | 1 |
| DW 211-10 | Spring on distributor adjusting rod, 8 mm diameter, length 27.6 (R. VI). | 1 | DW 211-48 | Trunnion securing ignition advance, hole threaded 5 diameter x 75 pitch (R. VI). | 1 | DM 212-14a | Ignition switch and starter control without lock barrel (R. VI). Until September 1964. | 1 |
| | | | DM 211-49 | Trunnion for distributor control lever, plain hole 5.25 mm diameter (R. VI). | 1 | <u>DW 212-14c</u> | Ignition switch without lock barrel (R. VI). Since September 1964. | 1 |
| | | | DM 211-55 | Rubber connection for suction pipe. BERLINE. | 2 | | | |
| | | | DW 211-60 | Distributor lever (R. VI). | 1 | | | |
| | | | DW 211-62 | Plate securing distributor housing without trunnion (R. VI). | 1 | | | |

DISTRIBUTOR AND COIL-IGNITION CIRCUIT-IGNITION CONTROLS "LUXE"-61

| NUMBER | DESCRIPTION | No. OFF | NUMBER | DESCRIPTION | No. OFF | NUMBER | DESCRIPTION | No. OFF |
|------------|---|---------|-------------|--|---------|-------------|---|---------|
| DF 212-52 | Reinforcing plate for coil support. | 1 | DS 212-73a | Support for coil. Until September 1962. | 1 | DS 212-115a | Plug, rubber, for 40 mm hole for sparking plug spanner in scuttle. | 1 |
| DS 212-70b | Insulating sleeve, 4.5 x 7 x 57, for sparking plug connecting rod (R. VI). Until March 1963. | 4 | DS 212-73d | Support for coil with thrust piece for coil. Since September 1962. | 1 | DF 511-19 | Lead for coil to distributor, 450 mm long. | 1 |
| DS 212-70c | Insulating sleeve, 4.5 x 7 x 47 for sparking plug connecting rod (R. VI). Since March 1963. | 4 | DS 212-77a | Protector (cardboard), 13 x 15 x 87 for sparking plug connector (R. VI). U. S. A. Since March 1963. | 4 | DS 861-43 | Lock barrel (R. VI). | 1 |
| DS 212-71a | End piece and sparking plug connecting rod, threaded 4 x 70 (R. VI). | 4 | DS 212-79 | Protector, 6.2 x 7.2 x 39 for connecting rod and lead (R. VI). - All Types. - U. S. A. Until March 1963. | 4 | 297-S | Screw, hex. head, slotted, 5 diameter x 35 long, securing distributor lever (R. III). | 1 |
| DS 212-72b | Rod only for sparking plug connection, 82 mm long, threaded 4 x 70 (R. VI). Until March 1963. | 4 | DS 212-83 | Screw, 3 x 60, for securing connecting rod to plug (R. VI). U. S. A. Since March 1963. | 4 | 2.324-S | Nut, square, 5 diameter x 75 pitch, securing screw for distributor lever (R. III). | 1 |
| DS 212-72e | Rod only for sparking plug connection, 72 mm long, threaded 4 x 70 (R. VI). Except U. S. A. Since March 1963. | 4 | DS 212-113a | Plug for sparking plug hole (R. VI). | 4 | 453.173 | Distributor housing (R. VI). | 1 |
| DS 212-72f | Rod only, for sparking plug connection, threaded 4 x 70, 72.5 mm long, 1 hole threaded 3 x 60, for screw securing to plug (R. VI). U. S. A. Since March 1963. | 4 | | | | 621.062 | Screw, hex. head, 5 diameter x 14 long, securing coil support (R. III). | 2 |
| | | | | | | 709.707 | Condenser SEV (R. VI). | 1 |
| | | | | | | 710.005 | Rubber ring retaining sparking plug leads (R. III). | 1 |

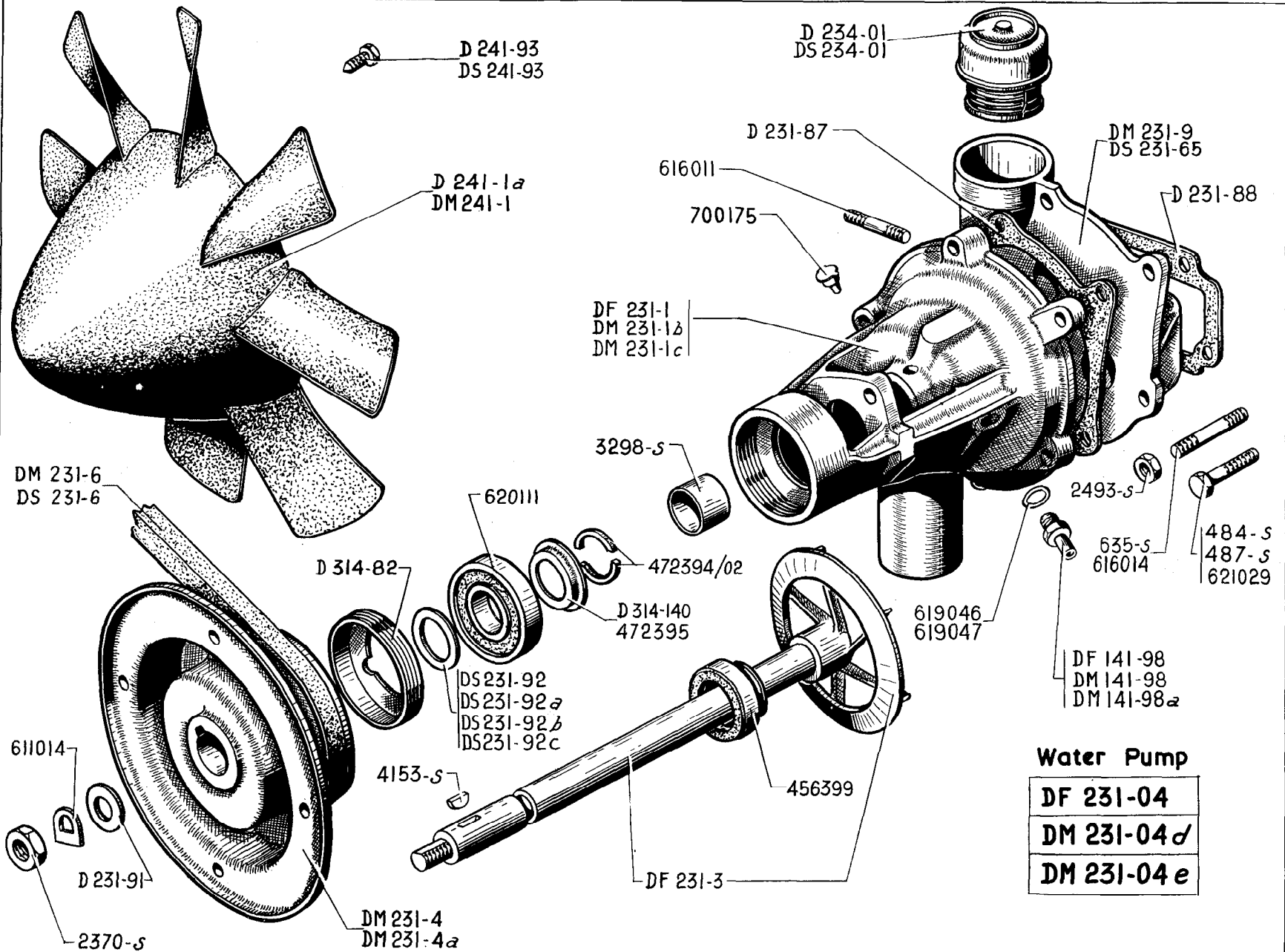


Oil Pump Complete

D 222-01

62—OIL PUMP—OIL FEED PIPES

| NUMBER | DESCRIPTION | No. OFF | NUMBER | DESCRIPTION | No. OFF | NUMBER | DESCRIPTION | No. OFF |
|------------|--|---------|---------|---|---------|----------------|---|---------|
| A 225-86 | Screw, for union 7 diameter x 18 long (1 mm diameter hole), securing valve rocker lubrication pipe to cylinder head. LUXE. | 1 | 2.503-S | Nut, hex., 7 diameter x 100 pitch (height 6 mm), securing filters on pump base (R. III). | 1 | 453.117 | Joint, 29 x 42, between base of pump and upper cover protecting filters (R. VI). | 1 |
| A 225-87 | Joint, double, 7.2 mm for union screw on cylinder head (R. VI). LUXE. | 1 | 2.553-S | Nut, hex., castellated, 8 diameter x 125 pitch, for screw securing pump tubular support (R. III). | 1 | 457.220 | Joint for base of pump, 0.05 thick (R. VI). | 1 |
| A 453-72 | Joint, copper, 10.2 x 18 x 1 to 1.5 for valve rocker lubrication pipe. LUXE. NORMALE. | 2 4 | 10.378 | Woodruff key for fixed pinion (thickness 2.5 mm) (R. I). | 1 | 457.371 | Driving shaft for pump fixed pinion, 288.5 mm long (R. I). Replaces type 298.5 mm long. | 1 |
| D 222-01 | Oil pump complete with filters. | 1 | 12.685 | Screw, countersunk head, 7 diameter x 15 long, securing base on body of pump (R. I). Until June 1960. | 1 | 457.372/02 | Split cotters retaining fixed pinion, 7 mm high (2 parts) (R. I). | 1 |
| D 222-3 | Oil pipe between pump and cylinder block. | 1 | 88.963 | Union screw, 10 x 18, securing valve rocker lubrication pipe on cylinder head (R. I). LUXE. NORMALE. | 1 2 | 457.373 | Fixed pinion, straight teeth, (10 teeth), height 24.9 mm (R. I). | 1 |
| D 222-4 | Pump body with support. | 1 | 450.234 | Locknut, hex., 10 diameter x 100 pitch (height 4 mm), for screw 451.434 securing pump tubular support (R. I). | 1 | <u>457.374</u> | Idler pinion, straight teeth, (10 teeth), height 24.9 mm (R. I). Since September 1964. | 1 |
| DS 222-5 | Spring for non-return valve. | 1 | 451.434 | Screw, hex. head, pointed, 10 diameter x 30 long, securing pump tubular support (R. I). | 1 | 457.375 | Spindle for idler pinion, length 44 mm (R. I). | 1 |
| DS 222-11 | Oil pump base forming support for filters (4 cylindrical holes). Since June 1960. | 1 | 451.672 | Conical union for oil circulation on pump and cylinder block (R. I). | 2 | 457.376 | <i>Base for pump forming support for filters (without recess for pinion spindles, 3 cylindrical holes, 1 milled hole). Until June 1960. Replaced by DS 222-11; order in addition: 1-485-S (R. III), 1-457.973 (R. I).</i> | 1 |
| DS 222-12a | <i>Idler pinion for pump (10 teeth, height 24.9 mm) (R. VI). Until September 1964. Replaced by 457.374.</i> | 1 | 451.786 | Locknut, hex., 20 diameter x 150 pitch, securing oil pipe between pump and cylinder block (R. I). | 2 | 457.380 | Bush for support tube, 12.5 x 24 x 28 x 37 (R. I). | 1 |
| D 224-1 | Valve rocker lubrication pipe, (distance between centres 208 mm). NORMALE. | 1 | 452.685 | Cover, upper, for pump filters (6 holes 30 diameter) (R. I). | 1 | 457.381 | Piston for non-return valve, 12 mm diameter x 20 mm long (R. I). | 1 |
| DM 224-1 | Oil lubrication pipe for rockers, distance between centres 190 mm. LUXE. | 1 | 452.686 | Filter, upper, for pump (diameter of hole 30 mm) (R. I). | 1 | 457.383 | Spring housing for non-return valve piston (R. I). | 1 |
| 483-S | Screw, hex. head, 7 diameter x 15 long, securing non-return spring housing (R. III). | 2 | 452.719 | Filter, lower, for pump (diameter of hole 11 mm) (R. I). | 1 | 457.386 | Driving pinion for pump and distributor, 10 teeth, left-hand pitch, total height 45.2 mm (R. I). | 1 |
| 485-S | Screw, hex. head, 7 diameter x 20 long, securing base on body of pump (R. III). Until June 1960. Since June 1960. | 3 4 | 452.722 | Distance piece for filters (R. I). | 1 | 457.973 | Upper casing protecting filters (R. I). | 1 |
| 764-S | Screw, hex. head, 8 diameter x 42.5 mm long, securing tubular support on pump body (R. III). | 1 | 452.723 | Lower plate for pump filters (6 triangular holes) (R. I). | 1 | 470.705 | Lockwasher, double, 7.5 mm diameter holes (distance between centres: 32 mm), for screw, securing spring housing (R. I). | 1 |
| | | | | | | 621.092 | Screw, hex. head, 7 diameter x 65 long, securing filters on pump (R. I). | 1 |



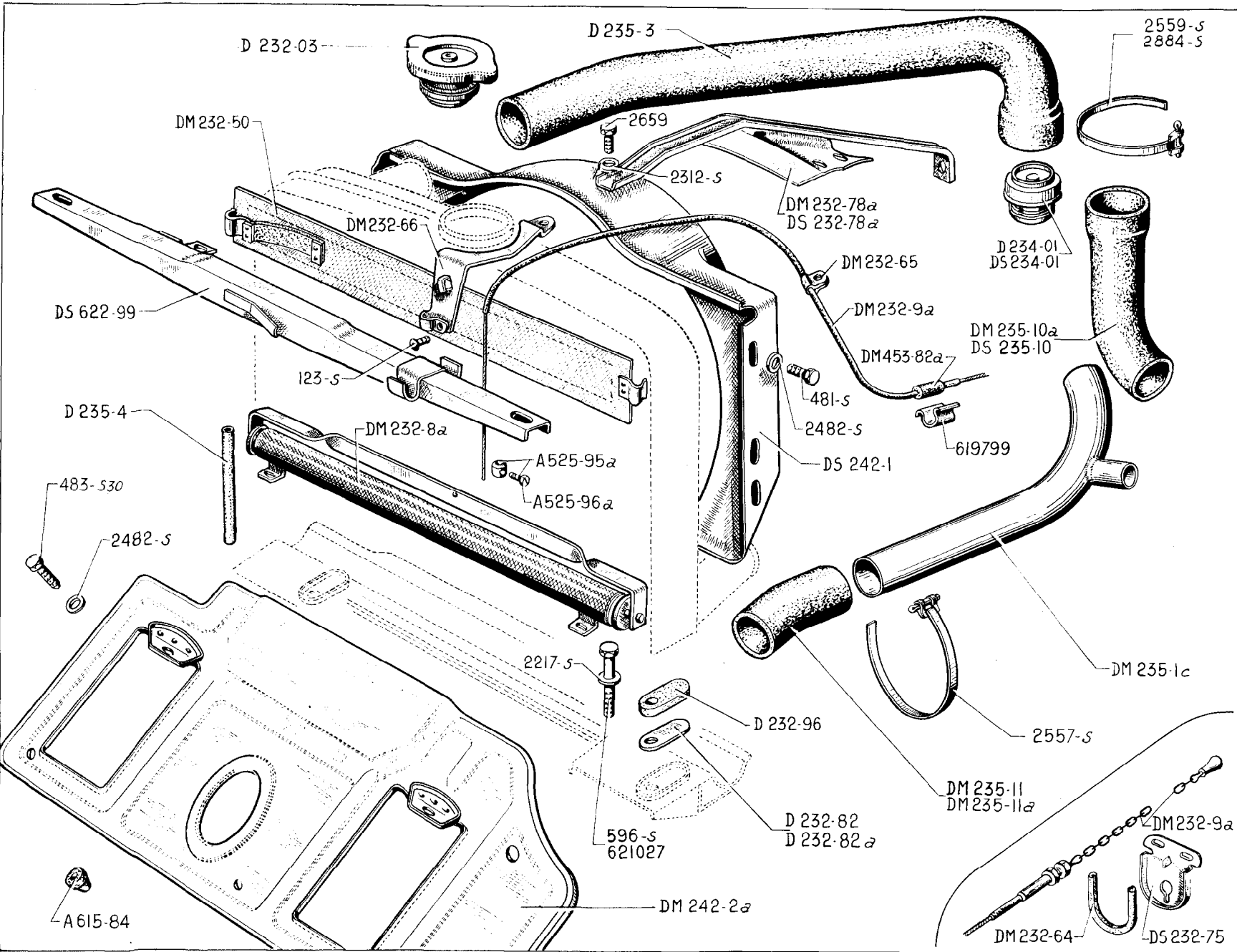
| NUMBER | DESCRIPTION | No. OFF | NUMBER | DESCRIPTION | No. OFF | NUMBER | DESCRIPTION | No. OFF |
|-------------------|--|---------|------------------|---|---------|-------------------|---|---------|
| DF 141-98 | Union for water outlet (threaded 20 diameter x 150 pitch, external diameter 19 mm). Cold Climates. Until January 1961. All Types LUXE. Since January 1961. | 1 | | <i>All Types. LUXE. January 1961 - June 1964. Replaced by DF 231-1a, order in addition: 1-451.415.</i> | | D 231-91 | Washer, 9 x 28 x 4 under nut, securing pulley for water pump and fan. | 1 |
| DM 141-98 | Union for water outlet (threaded 14 diameter x 150 pitch, external diameter 12 mm). All Types LUXE. Except Cold Climates. Until January 1961. | 1 | <u>DF 231-1a</u> | Water pump body, bushed, (hole for locking pin for pump bearing). Since June 1964. | 1 | | Washer for adjusting pump shaft bearing, 15.5 mm diameter x 24.2. | As nec. |
| DM 141-98a | Union for water outlet (threaded 14 diameter x 150 pitch, external diameter 19 mm). For replacement of DM 231-04d by DF 231-04. | 1 | DM 231-1b | Water pump body, bushed, (without threaded hole). NORMALE. | 1 | DS 231-92 | 1 mm thick. | |
| DF 231-04 | <i>Water pump complete, without pulley or cover or thermostat (body with hole threaded 20 diameter x 150 pitch). Cold Climates. Until January 1961. All Types LUXE. January 1961 - June 1964. Replaced by DF 231-04a.</i> | 1 | DM 231-1c | <i>Water pump body, bushed, hole threaded 14 diameter x 150 pitch, for water outlet union. All Types LUXE. Except Cold Climates. Until January 1961. Replaced by DF 231-1; order in addition: 1-DF 141-98, 1-DM 141-98a (R. VI), 1-DF 142-25, 1-619.046 (R. VI), 1-619.047 (R. VI).</i> | 1 | DS 231-92a | 1.5 mm thick. | |
| <u>DF 231-04a</u> | Water pump complete, without pulley, or cover or thermostat (nut for bearing secured by pin). Since June 1964. | 1 | DF 231-3 | Shaft for water pump, with impeller fitted (impeller 22.5 mm long). | 1 | DS 231-92b | 2 mm thick. | |
| DM 231-04d | <i>Water pump complete, without pulley or cover, or thermostat (body with hole threaded 14 diameter x 150 pitch). All Types LUXE. Except Cold Climates. Until January 1961. Replaced by DF 231-04a; order in addition: 1-DF 141-98, 1-DM 141-98a (R. VI), 1-DF 142-25, 1-619.046 (R. VI), 1-619.047 (R. VI).</i> | 1 | DM 231-4 | Pulley for pump and fan (4 bosses securing fan). Until October 1957. | 1 | DS 231-92c | 0.5 mm thick. | |
| DM 231-04e | Water pump complete, without pulley, or cover or thermostat (body without threaded hole). NORMALE. | 1 | DM 231-4a | Pulley for pump and fan. Since October 1957. | 1 | D 234-01 | Thermostat (R. VI). Except Cold Climates. - except heater group. Since September 1964. | 1 |
| DF 231-1 | <i>Water pump body, bushed, (hole threaded 20 diameter x 150 pitch, for water outlet union). Cold Climates. Until January 1961.</i> | 1 | DM 231-6 | Driving belt for water pump and dynamo (R. VI). Until October 1961. | 2 | DS 234-01 | <i>Thermostat (R. VI). Cold Climates. Replaced by DS 234-01a.</i> | 1 |
| | | | DS 231-6 | Belt driving water pump and dynamo (R. VI). Since October 1961. | 1 | <u>DS 234-01a</u> | Thermostat (R. VI). Cold Climates. | 1 |
| | | | DM 231-9 | Cover with studs for water pump. Except Cold Climates. | 1 | D 241-1a | Fan, nylon, 8 blades, securing bosses 4 mm below bearing face. Until October 1957. | 1 |
| | | | DS 231-65 | Cover only for water pump (with 1 hole 22 mm diameter for heater inlet). Cold Climates. | 1 | DM 241-1 | Fan, nylon, 8 blades, securing bosses protruding 0.5 mm on bearing face. Since October 1957. | 1 |
| | | | D 231-87 | Joint between water pump and cover (R. VI). | 1 | D 241-93 | <i>Screw, hex. head, 7 diameter x 28 long (head 12 across flats), securing fan (R. VI). Until July 1957. Replaced by 4-DS 241-93.</i> | 4 |
| | | | D 231-88 | Joint between cover and water pump and cylinder head (R. VI). | 1 | DS 241-93 | Screw, hex. head, 7 diameter x 28 long (head 10 across flats), securing fan (R. VI). Since July 1957. | 4 |
| | | | | | | D 314-82 | Nut, pressed steel, threaded externally 45 diameter x 150 pitch, securing bearing on pump shaft. Until June 1964. | 1 |
| | | | | | | D 314-140 | Cup retaining locking cotters, 15.2 x 21 x 27 x 6. | 1 |
| | | | | | | 484-S | Screw, hex. head, 7 diameter x 17.5 long, securing water pump (R. III). Until March 1960. | 1 |

The numbers underlined indicate new parts which do not appear on the illustration.

66—WATER PUMP—FAN

| NUMBER | DESCRIPTION | No. OFF | NUMBER | DESCRIPTION | No. OFF | NUMBER | DESCRIPTION | No. OFF |
|---------|---|---------|----------------|--|---------|---------|---|---------|
| 487-S | Screw, hex. head, 7 diameter x 25 long, securing water pump (R. III). Until March 1960. Since March 1960. | 2 1 | <u>451.415</u> | Nut, castellated (threaded 45 x 150) for locking bearing on pump shaft (R. I). Since June 1964. | 1 | 616.014 | Stud, 7 diameter x 35.5 long (threaded 10.5 and 21), securing pump on cover and radiator tie-rod and earth connection (R. I). Since March 1960. | 2 |
| 635-S | Stud, 7 diameter x 30.5 long, (threaded 17 and 10.5), securing water pump on cover (R. III). | 1 | 456.399 | Sealing ring, internal diameter 15 mm, external diameter 35 mm (R. VI). | 1 | 619.046 | Joint, 14.5 x 20 x 1.5 to 2 mm for water outlet union (R. VI). All Types except Cold Climates. Until January 1961. | 1 |
| 2.370-S | Nut, hex., 9 diameter x 125 pitch, securing pulley for pump and fan (R. III). | 1 | 472.394/02 | Locking segment for bearing, height 9.4 mm (2 parts) (R. I). | 1 | 619.047 | Joint, 20.5 x 26 x 1.5 to 2 mm for water outlet union (R. VI). Cold Climates. Until January 1961. All Types LUXE. Since January 1961. | 1 |
| 2.493-S | Nut, hex., 7 diameter x 100 pitch, securing water pump (R. III). Until March 1960. Since March 1960. | 2 3 | 611.014 | Lockwasher, single, 9.5 mm diameter for nut securing pump pulley and fan (R. I). Until September 1961. | 1 | 620.111 | Ball bearing, 15 x 42 x 13, with double sealing plates (R. VI). | 1 |
| 3.298-S | Bush, for water pump body, 15 x 19 x 20 (R. VI). | 1 | 616.011 | Stud, 5 diameter x 20 long (threaded 8 and 8), securing heater inlet pipe (R. I). Cold Climates. | 2 | 621.029 | Screw, hex. head, 10 diameter x 60 long, securing water pump cover on cylinder head (R. I). | 2 |
| 4.153-S | Woodruff key, 4 x 5 x 13, securing pump pulley and fan (R. VI). | 1 | | | | 700.175 | Oiler for water pump body bush (R. VI). | 1 |

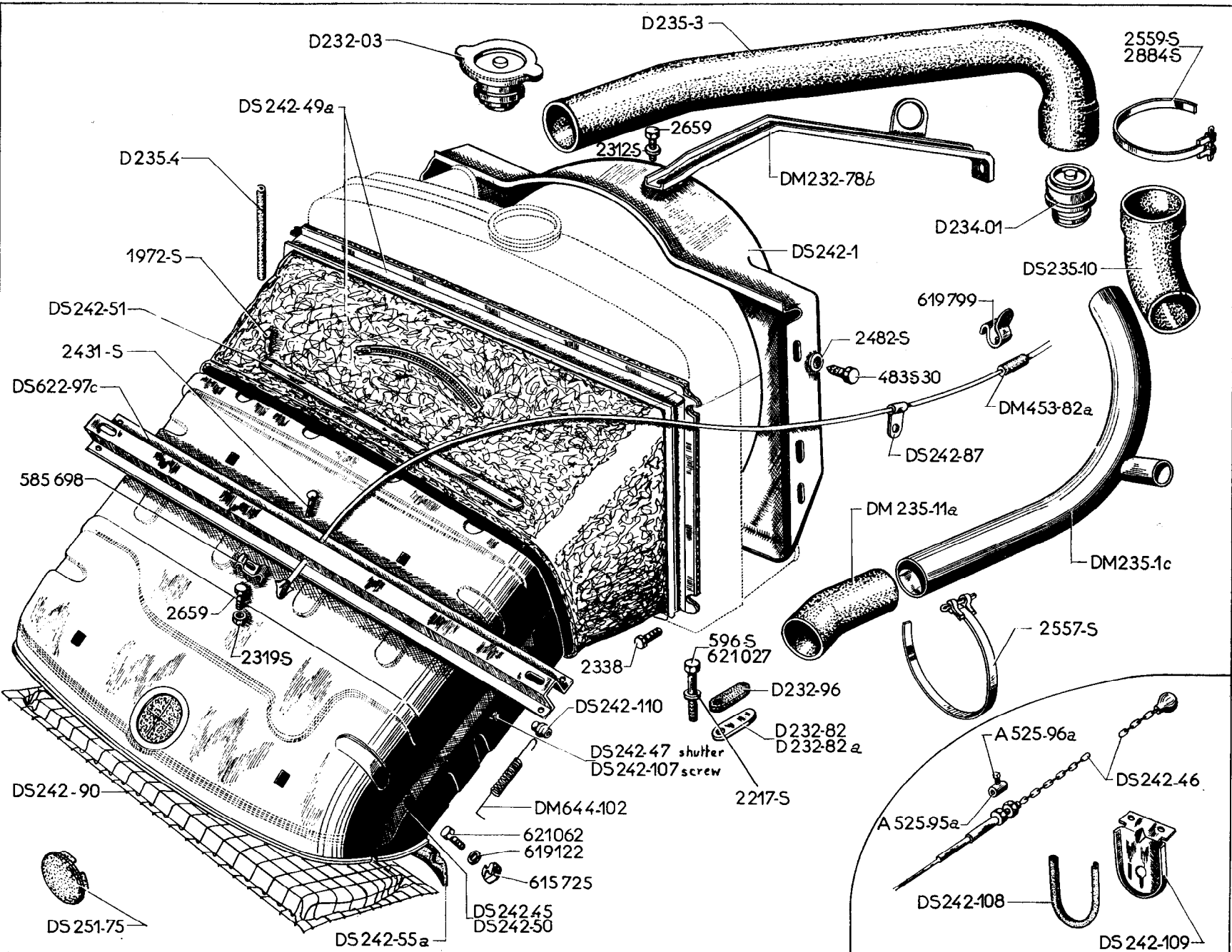
68—WATER DISTRIBUTION—FAN COWL



| NUMBER | DESCRIPTION | No. OFF | NUMBER | DESCRIPTION | No. OFF | NUMBER | DESCRIPTION | No. OFF |
|-----------------------------|---|---------|----------------|--|---------|---|--|---------|
| Until September 1962 | | | DS 242-1 | Fan cowl on radiator (R. VI). | 1 | <u>614.028</u> | Pin with screw for securing union on water pump cover (R. VI). | 1 |
| A 615-84 | Rubber buffer on deflector. April 1958 - September 1962. | 3 | DM 242-2a | Air deflector. | 1 | 621.027 | Screw, hex. head, 9 diameter x 50 long, securing radiator on support. | 1 |
| D 232-03 | Cap for radiator AC (R. C2) (R. VI). | 1 | DS 622-99 | Support for spare wheel with anchor lugs for extension and starting handle. | 1 | ARRANGEMENT WITH RADIATOR BLIND COLD CLIMATES Until September 1962 | | |
| DM 232-78a | Radiator stay. | 1 | 481-S | Screw, hex. head, 7 diameter x 10 long, securing fan cowl on radiator. | 4 | A 525-95a | Trunnion for blind control cable (R. VI). | 2 |
| D 232-82 | Shim for adjustment of radiator, 1 mm thick. | As nec. | 483-S 30 | Screw, hex. head, 7 diameter x 15 long, securing air deflector. | 4 | A 525-96a | Screw, cylindrical head for trunnion (R. VI). | 2 |
| D 232-82a | Shim for adjustment of radiator, 2 mm thick. | As nec. | 596-S | Screw, hex. head, 9 diameter x 42 long, securing radiator on support. | 2 | DM 232-8a | Blind for radiator (R. VI). | 1 |
| D 232-96 | Rubber pad, 60 x 35 x 16, under radiator lug. | 2 | 2.217-S | Washer, 9.5 x 16 x 2, for screws securing rubber plates under radiator. | 2 | DM 232-9a | Control for blind (R. VI). | 1 |
| D 234-01 | Thermostat, regulating water circulation on pump (R. VI). | 1 | 2.312-S | Washer, 5.5 x 12, for screws securing stay on radiator. | 1 | DM 232-50 | Screen for radiator. | 1 |
| DM 235-1c | Feed pipe between radiator and water pump with connecting pipe. Replaces previous type. | 1 | 2.482-S | Washer, 7.5 x 14 for screws securing: | 4 | DM 232-64 | Protector, rubber, for support locking chain (R. VI). | 1 |
| D 235-3 | Connecting pipe, upper, elbowed, between water pump and radiator. | 1 | | - fan cowl. | 2 | DM 232-65 | Clip retaining sheath on battery support (R. VI). | 1 |
| D 235-4 | Rubber pipe, 6 x 9 x 300, for radiator overflow. | 1 | 2.557-S | Clip with pin securing flexible connections for feed pipe, 366 mm long (R. VI). | 4 | DM 232-66 | Support for sheath on radiator. | 1 |
| DM 235-10a | Connecting pipe, rubber, between feed pipe and water pump. Until November 1961. | 1 | 2.559-S | Clip, with pin, securing upper union on thermostat (R. VI). | 1 | DS 232-75 | Locking support for chain (R. VI). | 1 |
| DS 235-10 | Connecting pipe, rubber, between feed pipe and water pump. Since November 1961. | 1 | 2.659 | Screw, hex. head, 5 diameter x 13 long, securing stay for radiator. Replaced by 283-S. | 1 | DS 232-78a | Stay for radiator. | 1 |
| DM 235-11 | Connecting pipe between feed pipe and radiator, elbowed lengths 10 x 31. Until May 1958. | 1 | 2.884-S | Clip securing upper union on radiator (R. VI). | 1 | DS 234-01 | <i>Dole thermostat for water circulation (R. VI). Replaced by DS 234-01a.</i> | 1 |
| DM 235-11a | Connecting pipe, rubber, between feed pipe and radiator, elbowed lengths 20 x 30. Since May 1958. | 1 | <u>5.500-S</u> | Nut, hex., 5 x 75, for securing clip on radiator. | 4 | <u>DS 234-01a</u> | Thermostat, (CALORSTAT) for water circulation (R. VI). | 1 |
| | | | | | | DM 453-82a | Protection sleeve on cable guide (R. VI). | 1 |
| | | | | | | 123-S | Screw, round head, 5 diameter x 10 long, securing sheath on support. Replaced by 2.502-S 30 (R. VI). | 1 |
| | | | | | | 619.799 | Clip securing blind cable (R. VI). | 2 |

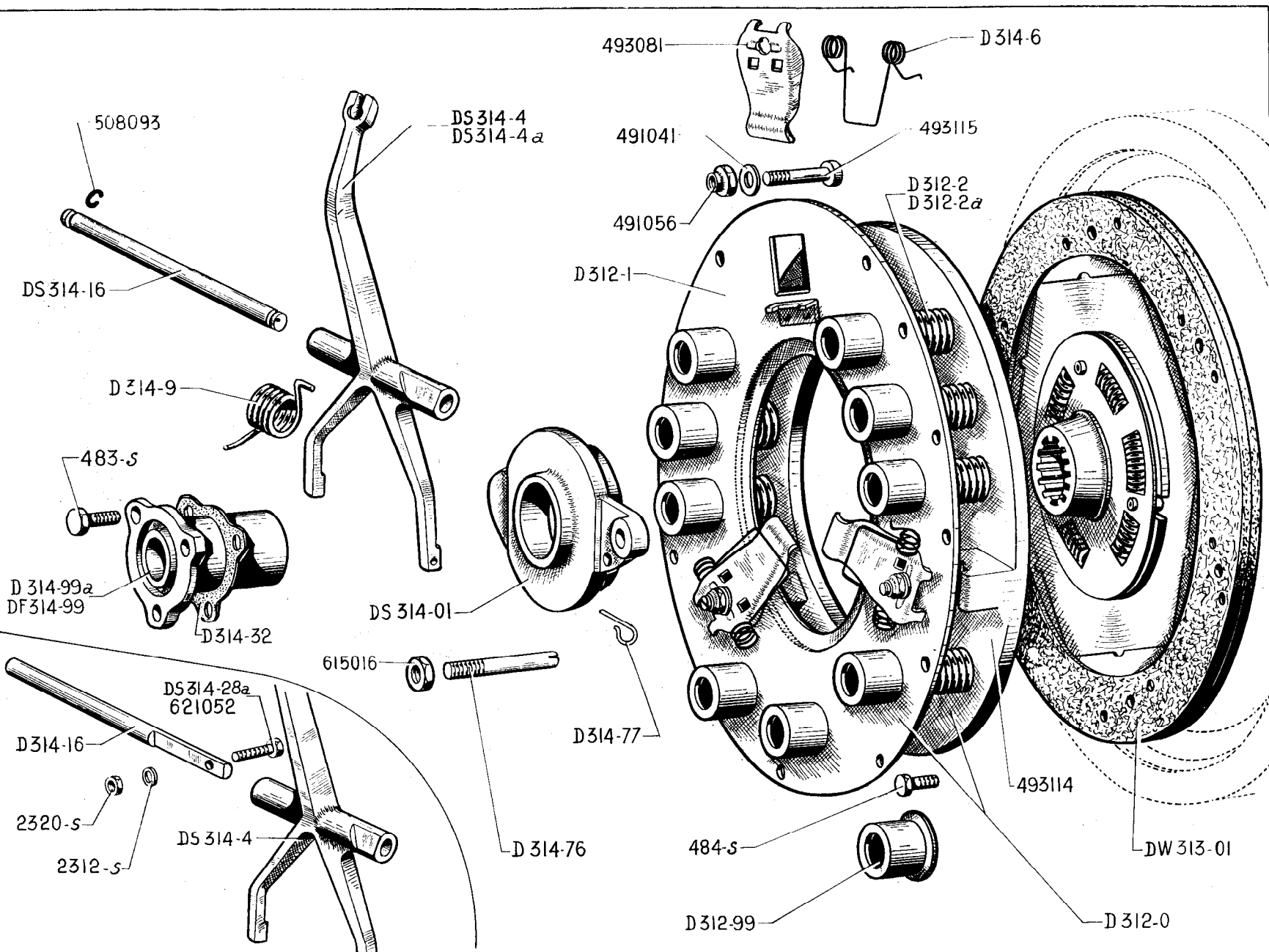
The numbers underlined indicate new parts and do not appear on the illustration.

WATER DISTRIBUTION RADIATOR—VENTILATION DUCT—71



70—WATER DISTRIBUTION RADIATOR—VENTILATION DUCT

| NUMBER | DESCRIPTION | No. OFF | NUMBER | DESCRIPTION | No. OFF | NUMBER | DESCRIPTION | No. OFF |
|------------|--|---------|----------------|---|---------|-------------------|--|---------|
| | Since September 1962 Except COLD CLIMATES | | | | | | SPECIAL PARTS COLD CLIMATES | |
| D 232-03 | Cap for radiator AC (RC 2) (R. VI). | 1 | DS 622-97c | Spare wheel support. | 1 | A 525-95a | Trunnion for securing shutter cable (R. VI). | 1 |
| DM 232-78b | Radiator tie-rod. | 1 | 483-S 30 | Screw, hex. head, 7 x 10, for securing cowl on radiator. | 4 | A 525-96a | Screw, cylindrical head for trunnion (R. VI). | 1 |
| D 232-82 | Adjusting shim for radiator, 1 mm thick. | As nec. | 596-S | Screw, hex. head, 9 x 42, for securing radiator on bracket (R. III). | 2 | <u>DS 234-01</u> | <i>Thermostat DOLE for circulating water (R. VI). Replaced by DS 234-01a.</i> | 1 |
| D 232-82a | Adjusting shim for radiator, 2 mm thick. | As nec. | 1.972-S | Rivet, flat head, 2.4 x 6, for securing flexible part of duct on fixed part (R. VI). | 10 | <u>DS 234-01a</u> | Thermostat CALORSTAT, for circulating water (R. VI). | 1 |
| D 232-96 | Rubber plate, 60 x 35 x 16 under radiator clip. | 2 | 2.217-S | Washer, 9.5 x 16 x 2, for screw securing rubber plate under radiator (R. III). | 2 | DS 242-45 | <i>Body (fixed part) for ventilation duct with closing shutter. Replaced by DX 242-45.</i> | 1 |
| D 234-01 | Thermostat, CALORSTAT, for circulation water on pump (R. VI). | 1 | 2.312-S | Washer, 5.5 x 9 for the screw securing the radiator tie-rod | 1 | DS 242-46 | Control for closing shutter (R. VI). | 1 |
| DM 235-1c | Feed tube between radiator and water pump with connecting tube. | 1 | 2.338 | <i>Screw, hex. head, 5 x 20, for securing flexible duct on radiator. Replaced by 284-S.</i> | 4 | DS 242-47 | Closing shutter on fixed duct. | 1 |
| D 235-3 | Union, elbowed, upper, between pump and radiator. | 1 | 2.482-S | Washer, 7.5 x 14 for screw securing air cowl. | 4 | DS 242-87 | Clip securing sheath on battery bracket (R. VI). | 1 |
| D 235-4 | Tube, rubber, 6 x 9 x 300, for radiator overflow. | 1 | 2.557-S | Clip, with pin, for securing suction pipe unions, 366 mm long (R. VI). | 4 | DS 242-107 | Screw for securing closing shutter (R. VI). | 2 |
| DS 235-10 | Rubber connection between suction and water pump. | 1 | 2.559-S | Clip, with pin, 485 mm long, for securing upper union on thermostat (R. VI). | 1 | DS 242-108 | Protector, rubber, for chain stop bracket (R. VI). | 1 |
| DM 235-11a | Rubber connection between suction pipe and radiator, length of elbows 20 x 30. | 1 | 2.659 | <i>Screw, hex. head, 5 x 13, for securing radiator tie-rod. Replaced by 283-S.</i> | 1 | DS 242-109 | Chain stop bracket (R. VI). | 1 |
| DS 242-1 | Air cowl on radiator (R. VI). | 1 | 2.884-S | Clip for securing upper union on radiator (R. VI). | 1 | DS 242-110 | Swivel bearing for closing shutter (R. VI). | 2 |
| DS 242-49a | <i>Frame with flexible connection for ventilation on radiator. Replaced by DX 242-49b.</i> | 1 | <u>5.500-S</u> | Nut, hex., 5 x 75, for securing clip on radiator. | 4 | DM 453-82a | Bush protecting guide for cable (R. VI). | 1 |
| DS 242-50 | <i>Body (fixed part) for ventilation duct. Replaced by DX 242-67.</i> | 1 | <u>614.028</u> | Clip with screw for securing upper union on pump cover (R. VI). | 1 | DM 644-102 | Return spring on closing shutter. | 2 |
| DS 242-51 | Band for securing the flexible part of duct to fixed part. | 2 | 615.725 | Nut, 5 x 75 (in cage) for screws securing ventilation duct (R. VI). | 4 | 2.319-S | Nut, hex., 5 x 75, for screw securing sheath (R. III). | 1 |
| DS 242-55a | Sealing joint, rubber, for body of ventilation duct on scuttle (R. VI). | 2 | 619.122 | Washer, plain, 5.5 x 12 x 1 for screws securing ventilation duct (R. III). | 4 | 2.431-S | Rivet, bifurcated, 4.8 x 14.5, for securing cable on closing shutter (R. VI). | 1 |
| DS 242-90 | Protection grille on fixed ventilation duct. Since September 1963. | 1 | 621.027 | Screw, hex. head, 9 x 50, for securing radiator bracket. | 1 | 2.659 | <i>Screw, hex. head, 5 x 13, for securing sheath on duct. Replaced by 283-S.</i> | 1 |
| DS 251-75 | Plug (plastic) for handle hole (R. VI). | 1 | 621.062 | <i>Screw, hex. head, 5 x 14, for securing ventilation duct. Replaced by 283-S 30.</i> | 4 | 585.698 | Flange for securing sheath on fixed duct. | 1 |
| | | | | | | 619.799 | Clip for securing cable on closing shutter (R. VI). | 1 |



493081
D 314-6

508093
DS 314-4
DS 314-4a

491041
493115

DS 314-16

491056
D 312-2
D 312-2a

D 314-9

D 312-1

483-s
D 314-99a
DF 314-99
D 314-32

DS 314-01
615016

D 314-77

DS 314-28a
621052
D 314-16
2320-s
2312-s
DS 314-4

D 314-76

484-s
D 312-99

493114

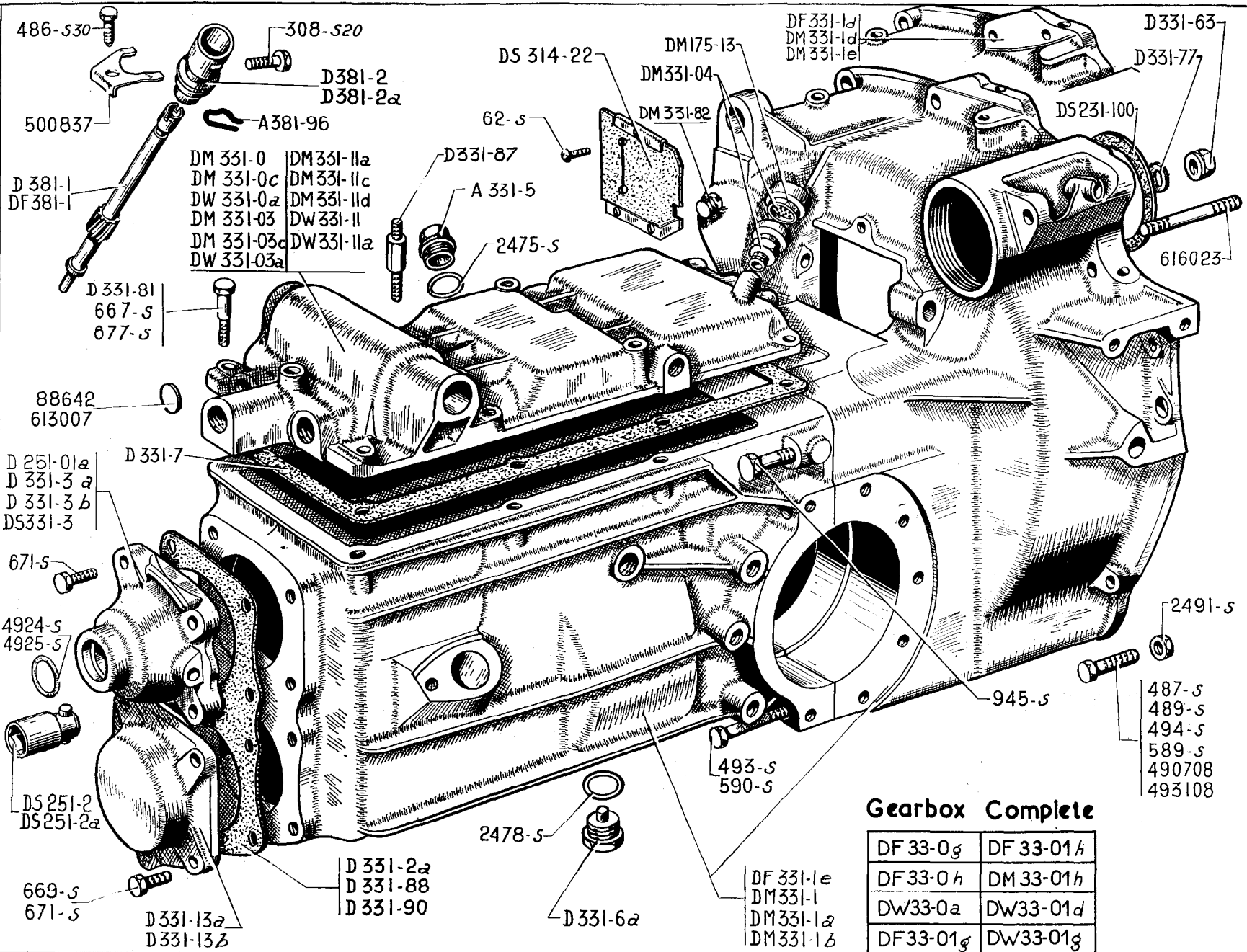
DW 313-01

D 312-0

| NUMBER | DESCRIPTION | No. OFF | NUMBER | DESCRIPTION | No. OFF | NUMBER | DESCRIPTION | No. OFF |
|-------------------|---|---------|------------------|--|---------|----------------|---|---------|
| D 312-0 | <i>Clutch mechanism (R. VI). Until March 1965. Replaced by DS 312-0a.</i> | 1 | DS 314-28a | Screw, hex. head, 5 diameter x 23 long, securing clutch withdrawal fork shaft. March 1958 - May 1959. | 1 | <u>491.041</u> | Washer, 10 x 18 x 2.5, for clutch toggle adjusting screws (R. VI). | 3 |
| <u>DS 312-0a</u> | Clutch mechanism with insulating washers (marked DS white paint) (R. VI). Since March 1965. | 1 | D 314-32 | Joint, paper, for ball thrust bearing carrier (R. VI). | 1 | <u>491.056</u> | Nut, hex., 8 diameter x 75 pitch, for clutch toggle adjusting screws (R. VI). | 3 |
| D 312-1 | Carrier plate for clutch toggles, 243 mm diameter (R. VI). | 1 | D 314-76 | Guide pin for ball thrust bearing, threaded 9 diameter x 125 pitch, total length 52 mm. | 1 | <u>493.081</u> | Clutch toggle, 87.5 mm long (R. VI). | 3 |
| D 312-2 | <i>Clutch spring (marked green) (R. VI). Until March 1965. Replaced by DS 312-2; order in addition: 1-DS 312-80.</i> | 3 | D 314-77 | Spring pin retaining ball thrust bearing. | 2 | <u>493.114</u> | Pressure plate, 216 mm diameter, hole diameters for toggle screws 8.5 mm, 10.5 mm and 16 mm (R. VI). | 1 |
| <u>DS 312-2</u> | Clutch spring (marked pale green) (R. VI). Since March 1965. | 3 | D 314-99a | Hub for ball thrust bearing. | 1 | <u>493.115</u> | Screw, cylindrical head, 8 diameter x 41 long, for clutch toggle adjustment (R. VI). | 3 |
| D 312-2a | <i>Clutch spring (marked white) (R. VI). Until March 1965. Replaced by DS 312-2a; order in addition: 1-DS 312-80.</i> | 6 | <u>DF 314-99</u> | Hub for ball thrust bearing (arrangement for mountain ratio). | 1 | <u>508.093</u> | Circlip, 8.8 x 10.8, retaining shaft of clutch withdrawal fork (R. I). Since May 1959. | 2 |
| <u>DS 312-2a</u> | Clutch spring (marked wine colour) (R. VI). Since March 1965. | 6 | 483-S | Screw, hex. head, 7 diameter x 15 long, securing ball thrust bearing hub (R. III). | 3 | <u>615.016</u> | Nut, hex., 9 diameter x 125 pitch, 4 mm thick, for locking guide pin for thrust bearing housing (R. I). | 1 |
| <u>DS 312-80</u> | Insulating washer for clutch mechanism (R. VI). Since March 1965. | 9 | 484-S | Screw, hex. head, 7 diameter x 17.5 long, securing clutch mechanism on flywheel (R. III). | 6 | <u>621.052</u> | <i>Screw, hex. head, 5 diameter x 17 long, securing clutch withdrawal fork shaft (R. I). Until March 1958. Replaced by DS 314-28a; order in addition: 1-2.312-S (R. III), 1-2.322-S (R. III).</i> | 1 |
| D 312-99 | Cup for clutch spring, 26.5 mm high, internal diameter 29 mm (R. VI) | 9 | 2.312-S | Washer, 5.5 x 12, under screw securing clutch withdrawal fork (R. III). May 1958 - May 1959. | 1 | | | |
| <u>DM 313-01a</u> | Clutch disc "Dentel" (R. VI). | 1 | 2.320-S | Nut, hex., 5 diameter x 75 pitch, height 3.5 mm securing clutch withdrawal fork shaft (R. III). March 1958 - May 1959. | 1 | | | |
| DW 313-01 | <i>Clutch disc (R. VI). Replaced by DM 313-01a.</i> | 1 | | | | | | |
| DS 314-01 | Housing for ball thrust bearing with bearing. | 1 | | | | | | |
| DS 314-4 | Clutch withdrawal fork, thickness of head 11 mm. Until December 1963. | 1 | | | | | | |
| DS 314-4a | Clutch withdrawal fork, thickness of head 8.5 mm. Since December 1963. | 1 | | | | | | |
| D 314-6 | Return spring for toggles (R. VI). | 3 | | | | | | |
| D 314-9 | Return spring for clutch withdrawal fork (R. VI). | 1 | | | | | | |
| D 314-16 | Shaft for clutch withdrawal fork (10 x 118). Until May 1959. | 1 | | | | | | |
| DS 314-16 | Shaft for clutch withdrawal fork (10 x 126.4 with 2 grooves for circlips). Since May 1959. | 1 | | | | | | |

The numbers underlined indicate new parts which do not appear on the illustration.

Catalogue No. 470 - January 1967.



Gearbox Complete

| | |
|-----------|-----------|
| DF 33-0g | DF 33-01h |
| DF 33-0h | DM 33-01h |
| DW 33-0a | DW 33-01d |
| DF 33-01g | DW 33-01g |

74-GEARBOX COMPLETE-GEARBOX HOUSING-LID

| NUMBER | DESCRIPTION | No. OFF | NUMBER | DESCRIPTION | No. OFF | NUMBER | DESCRIPTION | No. OFF |
|------------------|--|---------|------------------|--|---------|-------------------|--|---------|
| | GEARBOX COMPLETE | | | | | | | |
| | Gearbox, double wheel and pinion, 8 x 31, complete with: clutch with-drawal fork and thrust bearing, brake discs, lateral support brackets and upper support brackets. | 1 | | <i>DW 33-01g; order in addition: 1-DM 314-39f, 1-DM 314-36c, 1-DF 391-103.</i> | | DM 331-03 | - Until February 1961. | |
| DF 33-0g | <i>Drive fixed by 9 mm screws (fitted with water pump driving shaft). L.H. steering. October 1961 - September 1962. Replaced by DM 33-0d; order in addition: 1-DW 313-01.</i> | | DW 33-01g | - <i>Inclined hole for cut cable fixing. R.H. steering. November 1962 - July 1964. Replaced by DM 33-01j.</i> | | DM 331-03c | - With breather. February 1961 - September 1962. | |
| | | | | GEARBOX HOUSING | | <u>DM 331-03g</u> | Arrangement with reverse speed sliding pinion out of mesh. Since July 1964. | |
| | | | A 331-5 | Filler plug, hex. head, 30 diameter x 200 pitch. | 1 | DW 331-03a | - First speed synchronized. September 1962 - July 1964. | |
| | | | A 381-96 | Spring clip locking speedometer cable. Since March 1958. | 1 | DM 331-04 | Breather with filter on gearbox. Housings for gear and clutch assembled. | 1 |
| DF 33-0h | <i>Drive fixed by 7 mm diameter screws (without water pump driving shaft). L.H. steering. Until October 1961. Replaced by DM 33-0d. See MR 4479/1.</i> | | DM 175-13 | Filter for breather on gearbox (R. VI). | 1 | DF 331-1d | - Arrangement with hydraulic brake control. R.H. steering. August 1961 - September 1962. | |
| <u>DM 33-0d</u> | - Reverse speed sliding pinion out of mesh. L.H. steering. Since July 1964. | | DS 231-100 | Joint between clutch housing and crankcase (40 x 50 x 0.1) (R. VI). Since October 1959. | 1 | DF 331-1e | - Arrangement with fork shaft locked by circlip. All Types. May. 1959 - August 1961. L.H. steering. Since August 1961. | |
| DW 33-0a | - 1st speed synchronized. L.H. steering. September 1962 - July 1964. Replaced by DM 33-0d. | | D 251-01a | <i>Cap for front bearing for mainshaft complete with drive for starting handle. Until June 1957. Replaced by D.331-3a; order in addition: 1-DS 251-2, 1-4.925-S (R. VI).</i> | 1 | DM 331-1 | <i>Housing for front bearings, 62 mm diameter, clutch housing with hole for greaser for water pump driveshaft bearing. October 1957-March 1958. Replaced by DF 331-1e; order in addition: 1-DS 314-16, 2-508.093 (R. I), 1-620.110 (R. VI).</i> | |
| DF 33-01g | - <i>Drive fixed by 9 mm diameter screws (fitted with water pump driving shaft). R. H. steering. October 1961 - September 1962. Replaced by DW 33-01g; order in addition: 1-DF 313-01, 1-DM 314-39f, 1-DM 314-36c, 1-DF 391-103.</i> | | DS 251-2 | Drive dog with pin for starting handle (ring seal fitted in front cover). June 1957 - March 1962. | 1 | DM 331-1a | <i>Housing for front bearings, 62 mm diameter, clutch housing without hole for greaser for water pump driveshaft bearing, arrangement with fork shafts locked by screws. March 1958 - May 1959. Replaced by DF 331-1e; order in addition: 1-DS 314-16, 2-508.093 (R. I).</i> | |
| DF 33-01h | - <i>Drive fixed by 7 mm diameter screws (without water pump driving shaft). R. H. steering. August 1961 - October 1961. Replaced by DM 33-01j. See MR 4.479/1.</i> | | DS 251-2a | Drive dog with pin for starting handle (circular groove for ring seal). Since March 1962. | 1 | | | |
| DM 33-01h | - <i>Drive fixed by 7 mm diameter screws (without water pump driving shaft). R. H. steering. Until August 1961. Replaced by DM 33-01j. See MR 4.479/1.</i> | | DS 314-22 | Closing plate, rubber, for opening for clutch withdrawal fork. | 1 | | | |
| <u>DM 33-01j</u> | - Reverse sliding pinion out of mesh. R. H. steering. Since July 1964. | | | Lid for gear complete with forks and shafts. L.H. steering. | 1 | | | |
| DW 33-01d | - <i>Synchromesh for 1st speed. R. H. steering. September 1962 - November 1962. Replaced by</i> | | DM 331-0 | - Until February 1961. | | | | |
| | | | DM 331-0c | - With breather. February 1961 - September 1962. | | | | |
| | | | <u>DM 331-0g</u> | Arrangement with reverse speed sliding pinion out of mesh. Since July 1964. | | | | |
| | | | DW 331-0a | - First speed synchronized. September 1962 - July 1964. | 1 | | | |
| | | | | Lid for gearbox complete with shafts and forks. R. H. steering. | | | | |

GEARBOX COMPLETE—GEARBOX HOUSING—LID—77

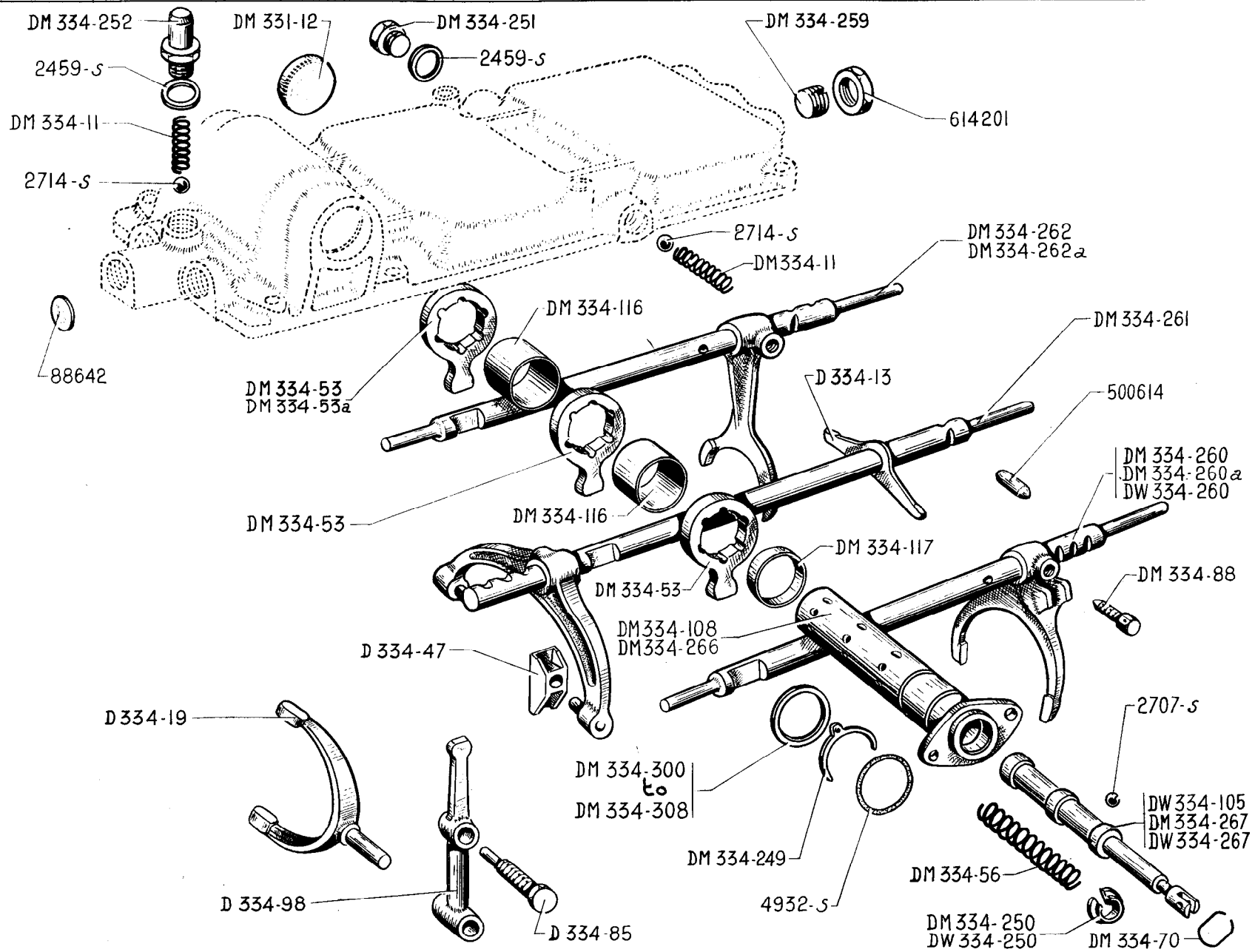
| NUMBER | DESCRIPTION | No. OFF | NUMBER | DESCRIPTION | No. OFF | NUMBER | DESCRIPTION | No. OFF |
|------------|--|---------|------------|---|---------|----------|--|---------|
| DM 331-1b | <i>Housing for front bearings, 68 mm diameter. Until October 1957. Replaced by DF 331-1e; order in addition: 1-DS 251-2a, 1-DS 314-16, 1-DS 331-3, 1-D 331-13b, 1-D 331-2a (R. VI), 1-D 332-95c or 1-D 332-95d, 2-508.093 (R. I), 2.620.088 (R. I), 2-620.110 (R. VI), 1-4.924-S (R. VI), 1-4.925-S (R. VI).</i> | | | pitch; order in addition: 2-88.642. | | D 331-87 | Stud, hex., shouldered, securing gearbox lid, 25.5 mm long, threaded 8 diameter x 125 pitch, total length 66.5 mm. | 2 |
| DM 331-1d | <i>First speed synchronised. Right-hand steering. September 1962 - November 1962. Replaced by DM 331-1e; order in addition: 1-DM 314-39f (R. VI), 1-DM 314-36c; 1-DF 391-103.</i> | | DM 331-11c | Lid, only, for gearbox (3 holes tapped 16 diameter x 150 pitch and 3 plain holes) (except arrangement with breather). February 1961 - September 1962. | 1 | D 331-88 | Joint for front bearing cap of bevel pinion shaft (R. VI). Until October 1957. | 1 |
| DM 331-1e | Hole for securing inclined clutch cable. Right-hand steering. Since November 1962. | | DM 331-11d | Lid, only, for gearbox (3 holes tapped 16 diameter x 150 pitch and 3 plain holes. 1 hole tapped 9 mm diameter for securing breather) (arrangement with breather). February 1961 - September 1962. | 1 | D 331-90 | Joint for mainshaft front bearing cap (R. VI). Until October 1957. | 1 |
| D 331-2a | Joint, double, for front face of gearbox housing (R. VI). | 1 | DM 331-11f | Lid, only, for gearbox (2 holes at front and 1 hole at rear, tapped) (arrangement with breather). Since July 1964. | 1 | D 381-1 | Speedometer drive pinion (15 teeth). | 1 |
| D 331-3a | Cap for front bearing without driving dog for starting handle, bearing housing diameter 62.25 mm, depth 2.15 mm. June 1957 - October 1957. | 1 | DW 331-11 | Lid, only, for gearbox (except arrangement with breather). September 1962 - July 1964. | 1 | DF 381-1 | Speedometer drive pinion (17 teeth). (Arrangement for mountain ratio). | 1 |
| D 331-3b | <i>Cap for front bearing of mainshaft, bearing housing diameter 67.5 mm depth 5.35 mm, circular groove on inside for ring seal. October 1957 - March 1962. Replaced by DS 331-3; order in addition: 1-DS 251-2a, 1-4.924-S (R. VI).</i> | 1 | DW 331-11a | Lid, only, for gearbox (arrangement with breather). September 1962 - July 1964. | 1 | D 381-2 | Socket for speedometer drive pinion (cable secured by spring clip). Since March 1958. | 1 |
| DS 331-3 | Cap for front bearing of mainshaft, without inner groove (arrangement with ring seal on starting handle dog). Since March 1962. | 1 | D 331-13a | Cap for front bearing on bevel pinion shaft, housing for bearing 62.25 mm diameter, width 2.15 mm. Until October 1957. | 1 | D 381-2a | <i>Socket for speedometer drive pinion (cable secured by screw). Until March 1958. Replaced by D 381-2; order in addition: 1-A 381-96.</i> | 1 |
| D 331-6a | Drain plug, hex., 16 diameter x 150 pitch, with magnetised dowel (R. VI). | 1 | D 331-13b | Cap for front bearing on bevel pinion shaft, housing for bearing 67.5 mm diameter, width 5.35 mm. Since October 1957. | 1 | 62-S | Screw, round head, 4 diameter x 7.5 long, securing closing plate for clutch withdrawal fork opening (R. III). | 2 |
| D 331-7 | Joint, paper for gearbox lid (R. VI). | 1 | D 331-63 | Nut, hex., with collar, 12 diameter x 175 pitch, for assembling gearbox and clutch housing (R. VI). | 4 | 308-S 20 | Screw, hex. head, 6 diameter x 25 long (slot on head), securing speedometer cable on socket (R. III). Until March 1958. | 1 |
| DM 331-11a | Lid, only, for gearbox (4 holes tapped 16 diameter x 150 pitch and 2 plain holes). December 1959-February 1961. Replaces earlier type with 6 holes tapped 16 diameter x 150 | 1 | D 331-77 | Washer, 12.5 x 18 x 2.5, under nuts assembling gearbox and clutch housing. | 4 | 486-S 30 | Screw, hex. head, pointed, 7 diameter x 22.5 long, securing socket clamp (R. III). | 1 |
| | | | D 331-81 | Screw, hex. head, 8 diameter x 32 long, securing and centring gearbox lid. | 2 | 487-S | Screw, hex. head, 7 diameter x 25 long, securing clutch housing on cylinder block (R. III). | 2 |
| | | | DM 331-82 | Air vent, on lid, threaded 9 diameter x 125 pitch, 10 mm long (R. VI) (except arrangement with breather). Since November 1962. | 1 | 489-S | Screw, hex. head, 7 diameter x 30 long, securing clutch housing on cylinder block (R. III). | 1 |
| | | | | | | 493-S | Screw, hex. head, 7 diameter x 40 long, assembling gearbox and clutch housings (R. III). | 4 |
| | | | | | | 494-S | Screw, hex. head, 7 diameter x 42 long, securing clutch housing on engine sump (R. III). | 2 |
| | | | | | | 589-S | Screw, hex. head, 7 dia. x 60 long, securing clutch housing on cylinder block (R. III). Catalogue No. 470-October 1964. | 2 |

The numbers underlined indicate new parts which do not appear on the illustration.

78—GEARBOX COMPLETE—GEARBOX HOUSING—LID

| NUMBER | DESCRIPTION | No. OFF | NUMBER | DESCRIPTION | No. OFF | NUMBER | DESCRIPTION | No. OFF |
|--------|--|---------|---------|--|---------|---------|--|---------|
| 590-S | Screw, hex. head, 7 diameter x 65 long, assembling gearbox and clutch housings (R. III). | 3 | 677-S | Screw, hex. head, 8 diameter x 50 long, securing gearbox lid (R. III). | 2 | 4.925-S | Ring seal, 19.8 x 27 x 3.6, for front bearing cap on mainshaft (R. VI). Until March 1962. | 1 |
| 667-S | Screw, hex. head, 8 diameter x 25 long, securing gearbox lid (R. III). | 2 | 945-S | Screw, hex. head, 10 diameter x 48 long, assembling gearbox casing and clutch housings (R. III). | 2 | 88.642 | Expanding washer, 15.9 mm diameter (R. I). | 1 |
| 669-S | Screw, hex. head, 8 diameter x 30 long, securing front bearing cap for bevel pinion shaft (R. III). Until October 1957. | 5 | 2.475-S | C and A joint, 30.5 x 38 x 2.3, for filler plug (R. VI). | 1 | 490.708 | Screw, cylindrical head, 7 diameter x 22.5 long, securing clutch housing on cylinder block (R. I). | 2 |
| 671-S | Screw, hex. head, 8 diameter x 35 long, securing front bearing cap for mainshaft (R. III). Until October 1957. Since October 1957. | 4 | 2.478-S | C and A joint, 16.3 x 22 x 2, for drain plug (R. VI). | 1 | 493.108 | Screw, 7 diameter x 38.5 long, securing clutch housing on cylinder block (R. I). | 2 |
| | | 9 | 2.491-S | Nut, hex., 7 diameter x 100 pitch, securing clutch housing on sump (R. III). | 2 | 500.837 | Clamp securing socket for speedometer cable (R. I). | 1 |
| | | | 4.924-S | Ring seal, 18.4 x 24.1 x 2.7, on starting handle dog (R. VI). Since March 1962. | 1 | 613.007 | Expanding washer, 12 mm diameter (R. I). | 1 |
| | | | | | | 616.023 | Stud, 12 diameter x 74 long, threaded 18 and 22, assembling gearbox and clutch housings (R. I). | 4 |

80—GEARBOX—FORKS AND SHAFTS



GEARBOX—FORKS AND SHAFTS—81

| NUMBER | DESCRIPTION | No. OFF | NUMBER | DESCRIPTION | No. OFF | NUMBER | DESCRIPTION | No. OFF |
|-------------------|---|-------------|------------|--|---------|-------------|--|-------------|
| DM 331-12 | Plug, press steel, 28 mm diameter, for gear control housing. | 1 | DM 334-56 | Return spring for locking plunger (14 x 19 x 15 coils). | 1 | DM 334-252 | Spring retaining cap (threaded 14 diameter x 150 pitch), housing compression spring for locking ball, 3rd and 4th speeds. | 1 |
| <u>DW 334-1a</u> | Shaft for 1st and 2nd gear selector fork, 208 mm long. Since November 1964. | 1 | DM 334-70 | Locking circlip for return spring thrust washer on locking plunger. | 1 | DM 334-259 | Thrust screw, without head, for end of fork shaft (threaded 16 diameter x 150 pitch), 15 mm long. Until December 1959. December 1959 - February 1961. Since February 1961. | 6 4 3 |
| DM 334-11 | Compression spring for lock ball for gear control (6.8 x 9.2 - 14 coils). Since November 1964. | 3 2 | D 334-85 | Pin, hex. head, (threaded 14 diameter x 100 pitch, total length 44.5 mm), for lever operating 1st speed. | 1 | DM 334-260 | Shaft and fork for 1st and 2nd speeds (length of shaft 248 mm). Until February 1961. | 1 |
| <u>DM 334-11b</u> | Thrust spring for locking ball for 1st and 2nd gear forks, 6.2 x 9.2, 12 coils. Since November 1964. | 1 | DM 334-88 | Screw, hex. head, pointed, 9 diameter x 18.5 long, securing selector fork. | 3 | DM 334-260a | Shaft and fork for 1st and 2nd speeds (length 248 mm). February 1961 - September 1962. | 1 |
| D 334-13 | Locking lever for 1st, 2nd and reverse speeds. Until January 1959. | 1 | D 334-98 | Screw, hex. head, pointed, for 1st speed fork. | 1 | DW 334-260 | <i>Shaft and fork for 1st and 2nd speeds (length 208 mm). Sept-ember 1962 - November 1964. Replaced by DW 334-1a; order in addition: 1-DM 334-11b, 1-DW 334-17.</i> | 1 |
| <u>DW 334-17</u> | Selector fork for 1st and 2nd gears. Since September 1962. | 1 | DW 334-105 | Plunger for locking levers operating fork shafts. Left-hand steering. | 1 | DM 334-261 | Shaft and fork for 3rd and 4th speeds (length of shaft 242 mm). Replaces type 290 mm long. | 1 |
| DM 334-18 | Selector fork for reverse gear. Since July 1964. | 1 | DM 334-108 | Support tube with securing flange for levers operating selector fork shafts. Left-hand steering. | 1 | DM 334-262 | <i>Shaft and fork for reverse speed (length of shaft 257 mm). Until February 1961. Replaced by DM 334-22; order in addition: 1-DM 334-18.</i> | 1 |
| D 334-19 | Selector fork for first speed. Until September 1962. | 1 | DM 334-116 | Distance piece, for levers operating selector fork shafts (28.5 x 32 x 23.2). | 2 | DM 334-262a | Shaft and fork for reverse speed (length 214 mm). February 1961 - July 1964. | 1 |
| <u>DW 334-19</u> | Selector fork for 1st gear, 72.5 total length. Since September 1962. | 1 | DM 334-117 | Distance piece, for levers operating selector fork shafts (28.5 x 32 x 6). | 1 | DM 334-266 | Support tube with securing flange for levers operating fork shafts. Right-hand steering. | 1 |
| <u>DM 334-22</u> | Shaft for reverse gear selector fork, 257 mm long. Since July 1964. | 1 | DM 334-249 | Segment holding levers operating selector fork shafts (R. VI). | 1 | DM 334-267 | <i>Plunger for locking levers, operating fork shafts. Right-hand steering. Until December 1962. Replaced by DW 334-267.</i> | 1 |
| D 334-47 | Sliding block for fork, 3rd and 4th speeds. | 2 | DM 334-250 | Split washer, shouldered, for return spring for locking plunger (8.5 x 22.5 x 4.2). Until December 1962. | 1 | DW 334-267 | Plunger for locking levers operating fork shafts. Right-hand steering. Since December 1962. | 1 |
| DM 334-53 | Control lever for selector forks shafts, 58 mm long. Until February 1961. February 1961 - July 1964. Since July 1964. | 3 2 3 | DW 334-250 | Split washer, shouldered, for return spring for locking plunger (8.5 x 22.5 x 3.5). Since December 1962. | 1 | | | |
| DM 334-53a | Lever controlling fork for reverse speed. February 1961 - July 1964. | 1 | DM 334-251 | Screw, hex. head, 14 diameter x 8 mm long, retaining springs for locking ball for 1st, 2nd and reverse speeds. | 2 | | | |

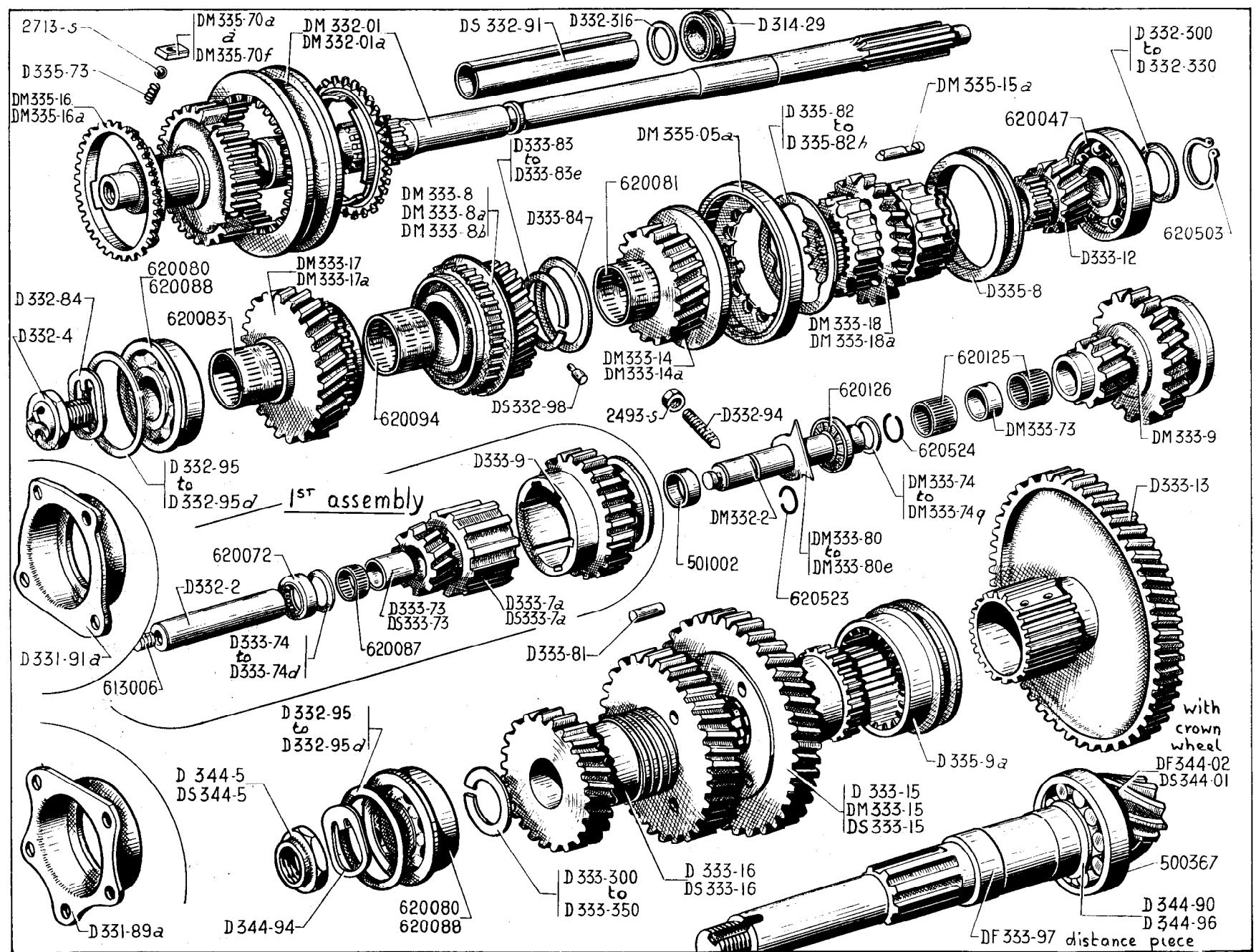
The numbers underlined indicate new parts which do not appear on the illustration.

Catalogue No. 470 - January 1967.

GEARBOX-FORKS AND SHAFTS-81A

| NUMBER | DESCRIPTION | No. OFF | NUMBER | DESCRIPTION | No. OFF | NUMBER | DESCRIPTION | No. OFF |
|------------|---|---------|---------|---|---------|---------|---|---------|
| | Adjusting washer for levers operating fork shafts, 28.5 x 36: | As nec. | 2.459-S | Joint, copper, 14.3 x 19 x 1, under spring retaining cap housing compression spring for locking ball (R. VI). | 3 | 88.642 | Expanding washer, 15.9 mm diameter for holes, housing fork shaft for 3rd and 4th speeds (R. I). | |
| DM 334-300 | 1.76 mm thick. | | | | | | December 1959 - February 1961. | 2 |
| DM 334-301 | 1.85 mm thick. | | 2.707-S | Ball, 6 mm diameter for locking levers operating fork shafts (R. VI). | 18 | | Since February 1961. | 3 |
| DM 334-302 | 1.94 mm thick. | | | | | 500.614 | Locking plunger (9.5 x 18.2) (R. I). | 2 |
| DM 334-303 | 2.03 mm thick. | | 2.714-S | Ball, 9.52 mm diameter for locking gears (R. VI). | 3 | 614.201 | Nut, hex., 16 diameter x 150 pitch, 5 mm high for locking thrust screw for end of fork shaft (R. II). | 6 |
| DM 334-304 | 2.12 mm thick. | | | | | | Until December 1959. | 4 |
| DM 334-305 | 2.21 mm thick. | | 4.932-S | Ring seal, 24.2 x 28 x 1.9, for support tube for levers operating fork shaft (R. VI). | 1 | | December 1959 - February 1961. | 4 |
| DM 334-306 | 2.3 mm thick. | | | | | | Since February 1961. | 3 |
| DM 334-307 | 2.39 mm thick. | | | | | | | |
| DM 334-308 | 2.48 mm thick. | | | | | | | |

84—GEARBOX—PINIONS—SHAFTS



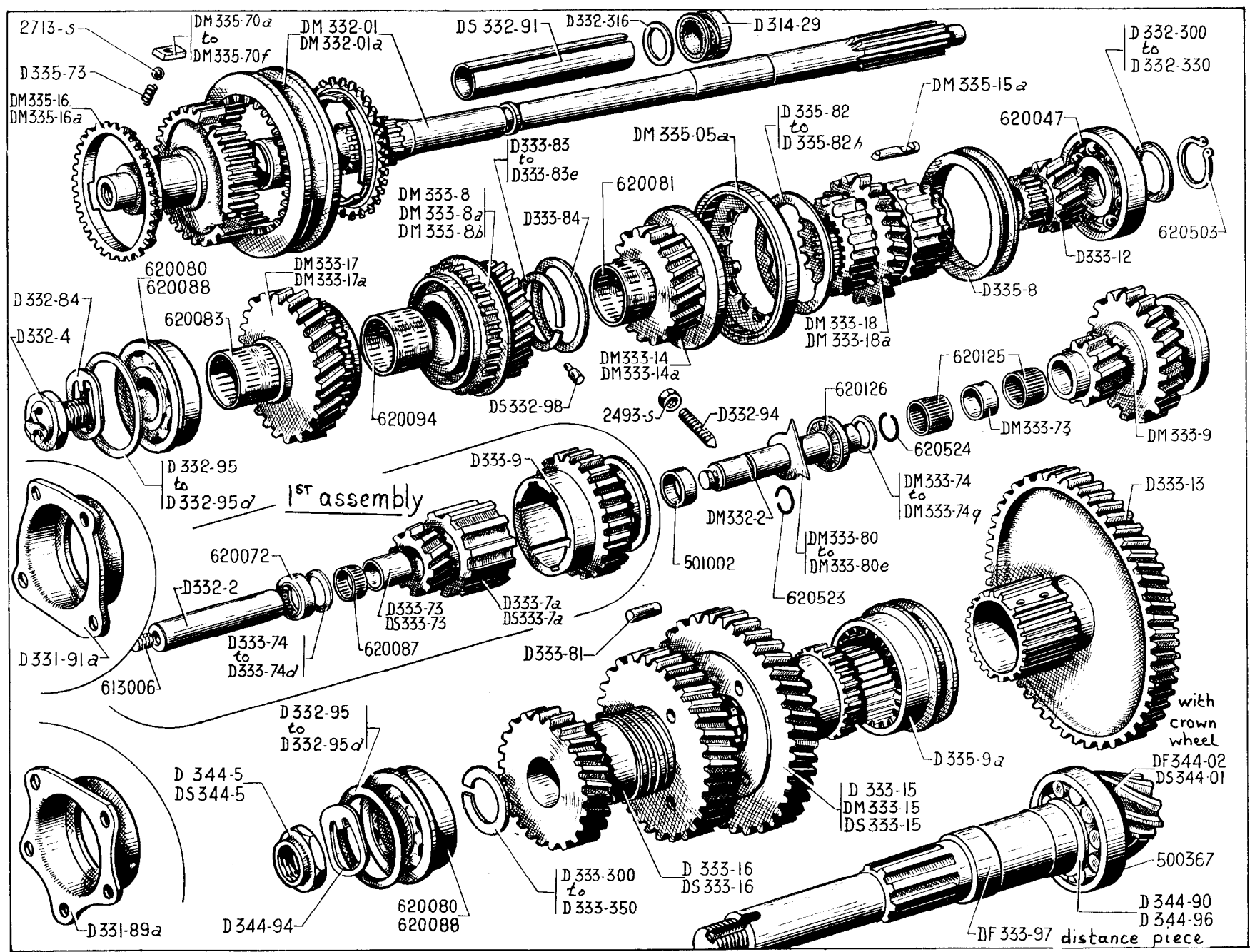
82—GEARBOX—PINIONS—SHAFTS

| NUMBER | DESCRIPTION | No. OFF | NUMBER | DESCRIPTION | No. OFF | NUMBER | DESCRIPTION | No. OFF |
|------------|---|---------|-----------|---|---------|-----------|---|---------|
| | Until September 1962 | | | | | | | |
| D 314-29 | Sealing bush on mainshaft (20 x 35 x 18) (R. VI). | 1 | | Washer, 54 x 61, for adjusting front of mainshaft, front bearing on bevel pinion shaft. Until October 1957. | As nec. | D 332-316 | 4.98 mm thick (also as thrust washer for sealing bush). | 1 |
| D 331-89a | Housing for front ball bearing on bevel pinion shaft (5 holes 9 mm diameter). Until October 1957. | 1 | D 332-95 | 0.05 mm thick. | | D 332-317 | 5.01 mm thick. | |
| D 331-91a | Housing for front ball bearing on mainshaft (4 holes 9 mm diameter). Until October 1957. | 1 | D 332-95a | 0.10 mm thick. | | D 332-318 | 5.04 mm thick. | |
| DM 332-01 | <i>Mainshaft with synchromesh assembly for 3rd and 4th speeds (inclined end of teeth). Until January 1959. Replaced by DM 332-01b (see Table, page 89).</i> | 1 | D 332-95b | 0.20 mm thick. | | D 332-319 | 5.07 mm thick. | |
| DM 332-01a | <i>Mainshaft with synchromesh for 3rd and 4th speeds (straight tooth entry). Since January 1959. Replaced by DM 332-01b; order in addition: 1-DS 332-4 (R. VI).</i> | 1 | | Washer, 54 x 66.5 for adjusting front of mainshaft, front ball bearing on bevel pinion shaft. Since October 1957. | As nec. | D 332-320 | 5.10 mm thick. | |
| D 332-2 | <i>Shaft for intermediate reverse pinion (16 x 120). Until February 1961. Replaced by DS 332-2.</i> | 1 | D 332-95c | 0.1 mm thick. | | D 332-321 | 5.13 mm thick. | |
| DM 332-2 | Shaft for intermediate reverse pinion (16 x 120, 1 groove for locking circlip). Since February 1961. | 1 | D 332-95d | 0.05 mm thick. | | D 332-322 | 5.16 mm thick. | |
| D 332-4 | Starting handle dog, 16 diameter x 150 pitch, interior bore 7 mm diameter. | 1 | DS 332-98 | Dowel pin, 2.7 x 2.9 x 5, for half-washers between 2nd and 3rd speed (R. VI). | 1 | D 332-323 | 5.19 mm thick. | |
| D 332-84 | Lockwasher for dog nut (internal diameter 17 mm). | 1 | | Spacing washer for rear ball bearing on gearbox mainshaft, 20 x 28 mm diameter: | As nec. | D 332-324 | 5.22 mm thick. | |
| DS 332-91 | Distance piece for sealing bush (20 x 21.6 x 118.8). | 1 | D 332-300 | 4.5 mm thick. | | D 332-325 | 5.25 mm thick. | |
| D 332-94 | Grub screw, pointed, 7 diameter x 31 long, securing shaft. | 1 | D 332-301 | 4.53 mm thick. | | D 332-326 | 5.28 mm thick. | |
| | | | D 332-302 | 4.56 mm thick. | | D 332-327 | 5.31 mm thick. | |
| | | | D 332-303 | 4.59 mm thick. | | D 332-328 | 5.34 mm thick. | |
| | | | D 332-304 | 4.62 mm thick. | | D 332-329 | 5.49 mm thick. | |
| | | | D 332-305 | 4.65 mm thick. | | D 332-330 | 6.48 mm thick. | |
| | | | D 332-306 | 4.68 mm thick. | | D 333-7a | Intermediate reverse pinion (10 teeth, total length 72.35). Until February 1961. | 1 |
| | | | D 332-307 | 4.71 mm thick. | | DS 333-7a | <i>Intermediate reverse pinion, arrangement for replacement of pinions DM 333-14 and D 333-15. Replaced by DS 333-040.</i> | 1 |
| | | | D 332-308 | 4.74 mm thick. | | DM 333-8 | <i>Pinion for mainshaft, 3rd speed with synchronising dogs (22 teeth) (groove on tapered end face) helix angle 31° 50'. Until June 1957. Replaced by DM 333-8b (see Table, page 89).</i> | 1 |
| | | | D 332-309 | 4.77 mm thick. | | DM 333-8a | <i>Pinion for mainshaft, 3rd speed with synchronising dogs (22 teeth) (groove on both faces, tapered end of teeth) helix angle 33° 30'. June 1957 - January 1959. Replaced by DM 333-8b (see Table, page 89).</i> | 1 |
| | | | D 332-310 | 4.80 mm thick. | | | | |
| | | | D 332-311 | 4.83 mm thick. | | | | |
| | | | D 332-312 | 4.86 mm thick. | | | | |
| | | | D 332-313 | 4.89 mm thick. | | | | |
| | | | D 332-314 | 4.92 mm thick. | | | | |
| | | | D 332-315 | 4.95 mm thick. | | | | |

| NUMBER | DESCRIPTION | No. OFF | NUMBER | DESCRIPTION | No. OFF | NUMBER | DESCRIPTION | No. OFF |
|------------|---|---------|------------|--|---------|------------|--|---------|
| DM 333-8b | Pinion for mainshaft, 3rd speed, same as DM 333-8a except dogs straight tooth entry. Since January 1959. | 1 | | <i>by DS 333-16 (see Table, Page 89)</i> | | D 333-74b | 1.80 mm thick. | |
| D 333-9 | <i>Intermediate sliding reverse pinion, (28 teeth x 29.5 mm long). Replaces type 38 mm long. Until February 1961. Replaced by DS 333-040.</i> | 1 | DS 333-16 | 3rd and 4th speed gear-train on bevel pinion shaft (23 and 27 teeth) helix angle of 3rd speed pinion 30°30'. Since June 1957. | 1 | D 333-74c | 1.91 mm thick. | |
| DM 333-9 | <i>Reverse speed sliding pinion (10 and 17 teeth) with needle bearing cages, distance pieces and circlips. 17 teeth x 73.4 diameter. Since February 1961. Replaced by DS 333-040. Order in addition 1-DS 333-18a, 1-DS 333-80, (R. VI). 1-DM 334-22, 1-DM 334-53, 1-DM 334-259, 1-614. 201.</i> | 1 | DM 333-17 | <i>4th speed mainshaft pinion with synchronising dogs (27 teeth), tapered end of teeth groove on tapered end of face. Until January 1959. Replaced by DM 333-17a (see Table, Page 89).</i> | 1 | D 333-74d | 2.20 mm thick. | As nec. |
| D 333-12 | 1st speed pinion on mainshaft (11 teeth, 18 splines). | 1 | DM 333-17a | 4th speed mainshaft pinion, same as DM 333-17 except synchronising dog with straight tooth entry. Since January 1959. | 1 | DM 333-74 | 0.4 mm thick. | |
| D 333-13 | 1st speed pinion of bevel pinion shaft (39 teeth). | 1 | DM 333-18 | Reverse speed mainshaft pinion (25 teeth, straight teeth). Until February 1961. | 1 | DM 333-74a | 0.7 mm thick. | |
| DM 333-14 | <i>2nd speed mainshaft pinion (18 teeth) (symmetrical hole entry). Until February 1961. Replaced by DM 333-14a (see Table, Page 89).</i> | 1 | DM 333-18a | <i>Main reverse speed pinion (16 teeth spiral). Since February 1961. Replaced by DS 333-18a. Order in addition 1-DS 333-040, 1-DS 333-80, (R. VI). 1-DM 334-22, 1-DM 334-53, 1-DM 334-259, 1-614. 201.</i> | 1 | DM 333-74b | 1 mm thick. | |
| DM 333-14a | 2nd speed mainshaft pinion (17 teeth). Since February 1961. | 1 | D 333-73 | Distance bush between needle bearing cages of intermediate reverse speed pinion (28.15 mm long replacing 28.7 mm long) (R. VI). Until February 1961. | 1 | DM 333-74c | 1.3 mm thick. | |
| D 333-15 | <i>2nd and reverse speed pinion on bevel pinion shaft (34 teeth). Until February 1961. Replaced by DS 333-15 (see Table, Page 89).</i> | 1 | DM 333-73 | Distance bush between needle bearing cages of intermediate reverse speed pinion (16.6 x 19 x 9.5) (R. VI). Since February 1961. | 1 | DM 333-74d | 1.6 mm thick. | |
| DM 333-15 | 2nd and reverse speed pinion on bevel pinion shaft (33 teeth inclined entry of teeth). Since February 1961. | 1 | DS 333-73 | Distance bush between needle bearing cages of intermediate reverse speed pinion (16.6 x 18.9 x 42.28) (R. VI). Arrangement for replacement of pinions DM 333-14, and D 333-15. | 1 | DM 333-74e | 1.9 mm thick. | |
| DS 333-15 | 2nd and reverse speed pinion on bevel pinion shaft (33 teeth, straight tooth entry). For replacement of D 333-15. | 1 | | Washer, 16 x 26 mm diameter for adjusting intermediate reverse speed pinion. Until February 1961. | As nec. | DM 333-74f | 2.2 mm thick. | |
| D 333-16 | <i>3rd and 4th speed gear-train on bevel pinion shaft (23 and 27 teeth). Helix angle of 3rd speed pinion 31°-50'. Until June 1957. Replaced</i> | 1 | D 333-74 | 1.58 mm thick. | | DM 333-74g | 2.5 mm thick. | |
| | | | D 333-74a | 1.69 mm thick. | | DM 333-74h | 2.8 mm thick. | |
| | | | | | | DM 333-74i | 3.1 mm thick. | |
| | | | | | | DM 333-74j | 3.4 mm thick. | |
| | | | | | | DM 333-74k | 3.7 mm thick. | |
| | | | | | | DM 333-74m | 4 mm thick. | |
| | | | | | | DM 333-74n | 4.3 mm thick. | |
| | | | | | | DM 333-74p | 4.6 mm thick. | |
| | | | | | | DM 333-74q | 4.9 mm thick. | |
| | | | | | | | Washer with lug for adjusting reverse speeds sliding pinion: Since February 1961. | As nec. |
| | | | | | | DM 333-80 | 1.54 mm thick. | |
| | | | | | | DM 333-80a | 2.02 mm thick. | |
| | | | | | | DM 333-80b | 2.50 mm thick. | |
| | | | | | | DM 333-80c | 2.98 mm thick. | |
| | | | | | | DM 333-80d | 3.46 mm thick. | |
| | | | | | | DM 333-80e | 3.94 mm thick. | |
| | | | | | | D 333-81 | Driving pin between 3rd and 4th speed gear-train and 2nd and reverse speed pinion on bevel pinion (8 x 17). Until April 1962. April 1962 - September 1962. | 6 3 |
| | | | | | | | Half-washer between 2nd and 3rd speed pinions: | As nec. |
| | | | | | | D 333-83 | 2.77 to 2.80 mm thick. | |
| | | | | | | D 333-83a | 2.80 to 2.83 mm thick. | |
| | | | | | | D 333-83b | 2.83 to 2.86 mm thick. | |
| | | | | | | D 333-83c | 2.86 to 2.89 mm thick. | |
| | | | | | | D 333-83d | 2.89 to 2.92 mm thick. | |
| | | | | | | D 333-83e | 2.92 to 2.95 mm thick. | |
| | | | | | | D 333-84 | Washer, 40 x 45 x 2.7, retaining half-washers between 2nd and 3rd speed mainshaft pinion. | 1 |

86—GEARBOX—PINIONS—SHAFTS

| NUMBER | DESCRIPTION | No. OFF | NUMBER | DESCRIPTION | No. OFF | NUMBER | DESCRIPTION | No. OFF |
|-----------|---|---------|------------|---|---------|------------|---|---------|
| DF 333-97 | Distance piece for bevel pinion shaft (arrangement for mountain ratio). | 1 | D 333-329 | 3.81 mm thick. | | | | |
| | Thrust washer, for front ball bearing on bevel pinion shaft, 25 x 33: | As nec. | D 333-330 | 3.85 mm thick. | | | Driving dowel for synchromesh rings, length 23.2 mm. Since January 1959. | As nec |
| D 333-300 | 2.65 mm thick. | | D 333-331 | 3.89 mm thick. | | DM 335-70a | 5.2 mm thick. | |
| D 333-301 | 2.69 mm thick. | | D 333-332 | 3.93 mm thick. | | DM 335-70b | 5.3 mm thick. | |
| D 333-302 | 2.73 mm thick. | | D 333-333 | 3.97 mm thick. | | DM 335-70c | 5.4 mm thick. | |
| D 333-303 | 2.77 mm thick. | | D 333-334 | 4.01 mm thick. | | | Driving dowel for synchromesh rings, length 22 mm. Until January 1959. | As nec. |
| D 333-304 | 2.81 mm thick. | | D 333-335 | 4.05 mm thick. | | | | |
| D 333-305 | 2.85 mm thick. | | D 333-336 | 4.09 mm thick. | | DM 335-70d | 5.25 mm thick. | |
| D 333-306 | 2.89 mm thick. | | D 333-337 | 4.13 mm thick. | | DM 335-70e | 5.35 mm thick. | |
| D 333-307 | 2.93 mm thick. | | D 333-338 | 4.17 mm thick. | | DM 335-70f | 5.45 mm thick. | |
| D 333-308 | 2.97 mm thick. | | D 333-339 | 4.21 mm thick. | | D 335-73 | Compression spring for balls of synchromesh for 3rd and 4th speed pinion. | 3 |
| D 333-309 | 3.01 mm thick. | | D 333-340 | 4.25 mm thick. (arrangement for mountain ratio). | | | Internally toothed ring for adjusting 2nd speeds synchromesh assembly. | As nec. |
| D 333-310 | 3.05 mm thick. | | D 333-341 | 2.17 mm thick. | | | | |
| D 333-311 | 3.09 mm thick. | | D 333-344 | 2.29 mm thick. | | D 335-82 | 0.4 mm thick. | |
| D 333-312 | 3.13 mm thick. | | D 333-345 | 2.41 mm thick. | | D 335-82a | 0.7 mm thick. | |
| D 333-313 | 3.17 mm thick. | | D 333-350 | 2.53 mm thick. | | D 335-82b | 1 mm thick. | |
| D 333-314 | 3.21 mm thick. | | DM 333-05a | Synchromesh for 2nd speed. | 1 | D 335-82c | 1.2 mm thick. | |
| D 333-315 | 3.25 mm thick. | | D 335-8 | Sliding collar for operating meshing plungers. Width 10.5 mm. | 1 | D 335-82d | 1.5 mm thick. | |
| D 333-316 | 3.29 mm thick. | | D 335-9a | Sliding collar for 1st speed. | | D 335-82e | 0.2 mm thick. | |
| D 333-317 | 3.33 mm thick. | | DM 335-15a | Set of 12 meshing plungers (1 dowel on rear face), groove for housing collar. Width 10.6 mm. | 1 | D 335-82f | 0.35 mm thick. | |
| D 333-318 | 3.37 mm thick. | | DM 335-16 | Synchromesh ring for 3rd and 4th speed pinions (inclined end of teeth). Until January 1959. | 2 | D 335-82g | 0.50 mm thick. | |
| D 333-319 | 3.41 mm thick. | | DM 335-16a | Synchromesh ring for 3rd and 4th speed pinions (straight entry of teeth). Since January 1959. | 2 | D 335-82h | 0.60 mm thick. | |
| D 333-320 | 3.45 mm thick. | | | | | DS 334-01 | Crown wheel and pinion, 8 x 31, with rear bearing fitted (3rd and 4th gear train driven by dowels). Replaces type 9 x 35. | 1 |
| D 333-321 | 3.49 mm thick. | | | | | | | |
| D 333-322 | 3.53 mm thick. | | | | | | | |
| D 333-323 | 3.57 mm thick. | | | | | | | |
| D 333-324 | 3.61 mm thick. | | | | | | | |
| D 333-325 | 3.65 mm thick. | | | | | | | |
| D 333-326 | 3.69 mm thick. | | | | | | | |
| D 333-327 | 3.73 mm thick. | | | | | | | |
| D 333-328 | 3.77 mm thick. | | | | | | | |

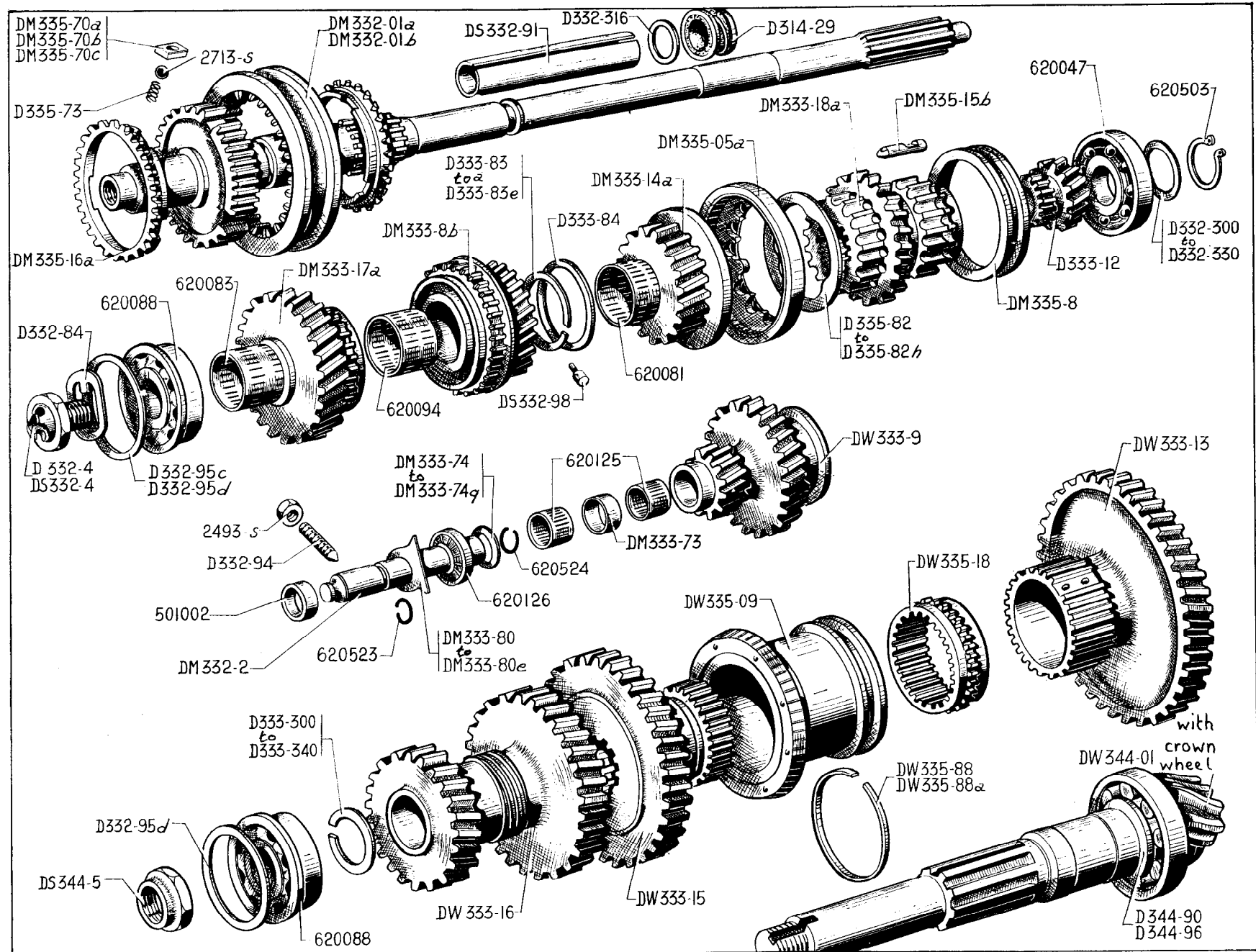


| NUMBER | DESCRIPTION | No. OFF | NUMBER | DESCRIPTION | No. OFF | NUMBER | DESCRIPTION | No. OFF |
|-----------|---|---------|----------|--|---------|---------|---|---------|
| DF 344-02 | Crown wheel and pinion, 7 x 31 (mountain use). | 1 | D 344-96 | Locking ring for rear roller bearing of bevel pinion (shaft side), without chamfer. | 1 | 620.081 | Needle bearing cage, 33x36x30, for 2nd speed mainshaft pinion(R. VI). | 1 |
| D 344-5 | <i>Nut, hex., 24 diameter x 150 pitch, shouldered, for locking bevel pinion. Until July 1957. Replaced by DF 344-5. See Technical Note No. 676.</i> | 1 | 2.493-S | Nut, hex., 7 diameter x 100 pitch, locking grub screw on shaft (R.III). | 1 | 620.083 | Needle bearing cage, 33x36x36, for 4th speed mainshaft pinion(R. VI). | 1 |
| DS 344-5 | Nut, hex., 24 diameter x 150 pitch, shouldered part 25 mm diameter, locking bevel pinion. Since July 1957. | 1 | 2.713-S | Ball, 6.35 mm diameter for 3rd and 4th speed sliding pinion (R. VI). | 3 | 620.087 | Needle bearing cage, 16x19x18, for intermediate reverse gear (R. VI). Until February 1961. | 2 |
| D 344-90 | Locking ring for rear roller bearing on bevel pinion (teeth side), with internal chamfer on one face. | 1 | 500.367 | Rear bearing for bevel pinion, (30 x 72 x 19) (R. VI). (Arrangement with mountain ratio). | 1 | 620.088 | Double ball bearing, oblique, shouldered, 25 x 62 x 67.5 x 25.4 (R.I): - for front of mainshaft. - for front of bevel pinion shaft. Since October 1957. | 1 |
| D 344-94 | <i>Lockwasher for nut locking bevel pinion (internal diameter 24.5 mm). Until July 1957. No longer supplied. See Technical Note No. 676.</i> | 1 | 501.002 | Cap 20 mm diameter for hole for reverse pinion shaft (R.I). | 1 | 620.094 | Needle bearing cage 33 x 36 x 32.2 for 3rd speed mainshaft pinion (R. VI). | 1 |
| | | | 613.006 | Plug, threaded 7 diameter x 125 pitch, 6 mm long, for hole in shaft (R.I). Until February 1959. | 1 | 620.125 | Needle bearing cage 16 x 19 x 20 for reverse speed sliding pinion (R. VI) Since February 1961. | 2 |
| | | | 620.047 | Bearing, 20 x 62 x 17, on rear of mainshaft (R. VI). | 1 | 620.126 | Needle thrust bearing 16 x 32 x 2.8 for reverse speed sliding pinion (R. VI). Since February 1961. | 1 |
| | | | 620.072 | Ball thrust bearing, 16 x 30 x 9.5, for intermediate reverse pinion (R. I). Until February 1961. | 2 | 620.503 | Circlip, retaining bearing (R. VI). | 2 |
| | | | 620.080 | Double ball bearing, oblique (25 x 62 x 25.4) (marked D on inner race) (R.I): - for front of mainshaft. - for front of bevel pinion shaft. Until October 1957. | 1 | 620.523 | Circlip locking reverse speed sliding pinion (R. I). Since February 1961. | 1 |
| | | | | | 1 | 620.524 | Locking ring for reverse speed sliding pinion needle bearing cage (17 x 20 x 1.2) (R. VI). Since February '61. | 2 |

| ARRANGEMENT | BY REPLACEMENT OF ONE OF THESE PARTS: | IT IS ESSENTIAL TO CHANGE THE FOLLOWING PARTS: |
|---------------------------|---|---|
| Until June 1957. | <ul style="list-style-type: none"> - DM 332-01 Shaft. - DM 333-8 Pinion. - D 333-16 Gear-train. - DM 333-17 Pinion. | <ul style="list-style-type: none"> - 1-DM 332-01b, 1-DM 333-8b, 1-DS 333-16, 1-DM 333-17a, 2-DM 335-16a. 1-DS 332-4 (R. VI). |
| June 1957 - January 1959. | <ul style="list-style-type: none"> - DM 332-01 Shaft. - DM 333-8a Pinion. - DM 333-17 Pinion. | <ul style="list-style-type: none"> - 1-DM 332-01b, 1-DM 333-8b, 1-DM 333-17a, 2-DM 335-16a. 1-DS 332-4 (R. VI). |
| Until February 1961. | <ul style="list-style-type: none"> - DM 333-14 Pinion. - D 333-15 Pinion. | <ul style="list-style-type: none"> 1-DS 333-040, 1-DM 333-14a, 1-DS 333-15, 1-DS 333-80 (R. VI). |

The numbers underlined indicate new parts and do not appear on the illustrations.

92—GEARBOX—PINIONS—SHAFTS



90—GEARBOX—PINIONS—SHAFTS

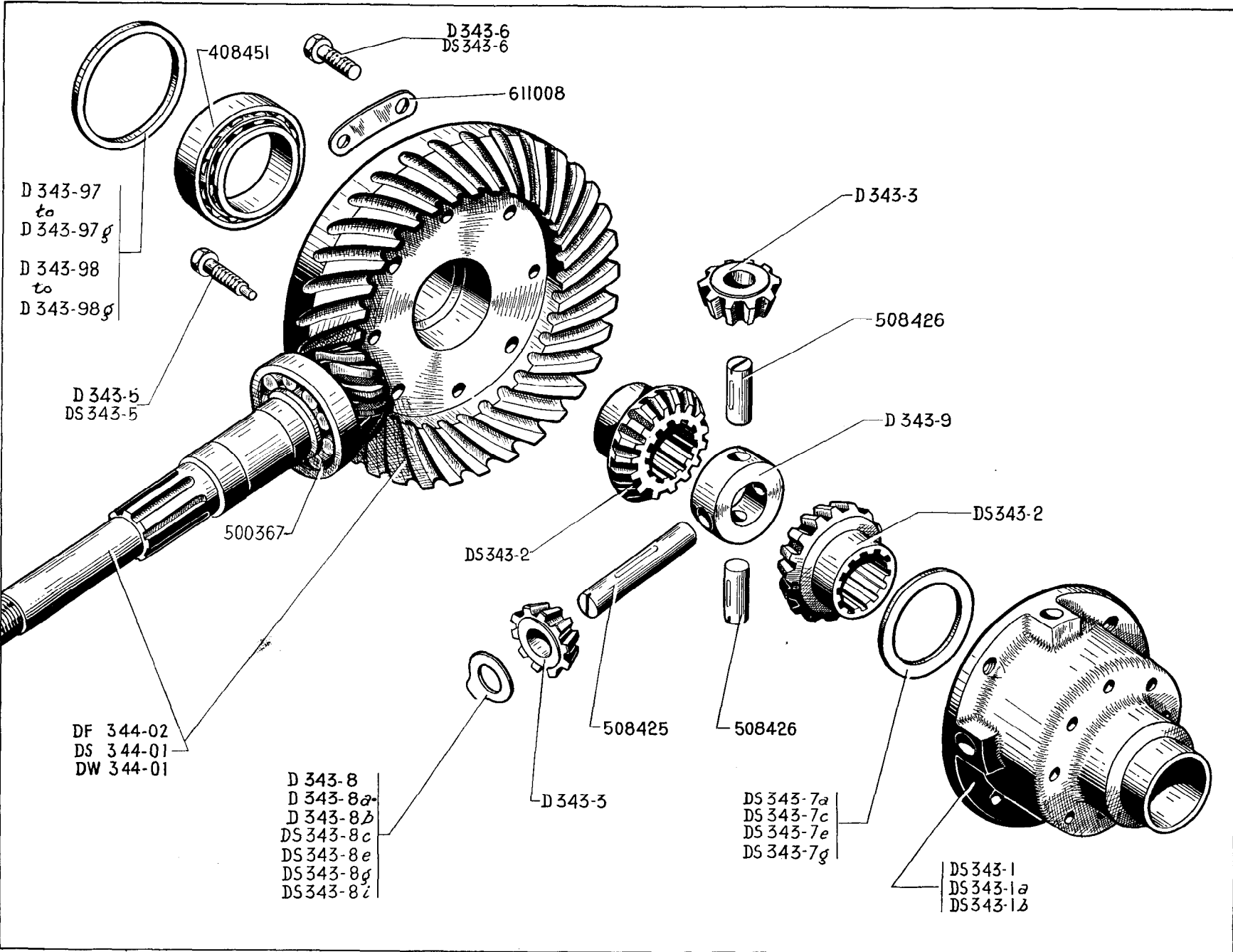
| NUMBER | DESCRIPTION | No. OFF | NUMBER | DESCRIPTION | No. OFF | NUMBER | DESCRIPTION | No. OFF |
|-----------------|--|---------|-----------|--|---------|-------------------|---|---------|
| | Since September 1962 | | | | | | | |
| D 314-29 | Sealing bush on mainshaft (20 x 35 x 18) (R. VI). | 1 | DS 332-98 | Dowel pin, 2.7 x 2.9 x 5, for half-washers between 2nd and 3rd speed (R. VI). | 1 | <u>DS 333-040</u> | Assembly of reverse speed pinions with spindle and needle bearing cages. Since July 1964. | 1 |
| DM 332-01a | <i>Mainshaft with synchromesh for 3rd and 4th speeds (straight tooth entry). Until November 1963. Replaced by DM 332-01b; order in addition: 1-DS 332-4 (R. VI).</i> | 1 | | Thrust washer for rear ball bearing on gearbox mainshaft, 20 x 28 mm diameter: | As nec. | <u>DS 333-7e</u> | Intermediate reverse speed pinion, 47.2 mm long. Since July 1964. | 1 |
| DM 332-01b | Mainshaft with synchromesh for 3rd and 4th speeds (arrangement without lockwasher). Since November 1963. | 1 | D 332-300 | 4.5 mm thick. | | DM 333-8b | Pinion for mainshaft, 3rd speed with dog (22 teeth), straight tooth entry. | 1 |
| DM 332-2 | Shaft for intermediate reverse pinion (16 x 120, 1 groove for locking circlip). Until July 1964. | 1 | D 332-301 | 4.53 mm thick. | | <u>DS 333-9c</u> | Reverse speed sliding pinion, total length 28 mm. Since July 1964. | 1 |
| <u>DS 332-2</u> | Shaft for intermediate reverse pinion (16 x 124). Since July 1964. | 1 | D 332-302 | 4.56 mm thick. | | DW 333-9 | <i>Intermediate sliding reverse pinion, diameter teeth 17 teeth, 72.4. Until July 1964. Replaced by DS 333-040; order in addition: 1-DS 333-18a, 1-DS 333-80 (R. VI), 1-DM 334-22, 1-DM 334-53, 1-DM 334-259, 1-614.201.</i> | 1 |
| D 332-4 | Starting handle dog, 16 diameter x 150 pitch, interior bore 7 mm diameter. Until November 1963. | 1 | D 332-303 | 4.59 mm thick. | | D 333-12 | Main pinion for 1st speed (11 teeth, 18 splines). | 1 |
| DS 332-4 | Starting handle dog, 18 x 125 (R. VI). Since November 1963. | 1 | D 332-304 | 4.62 mm thick. | | DW 333-13 | 1st speed pinion on main pinion (39 teeth), length 44.5 mm. | 1 |
| D 332-84 | Lockwasher for dog nut (internal diameter 17 mm). Until November 1963. | 1 | D 332-305 | 4.65 mm thick. | | DM 333-14a | Main pinion, 2nd speed (17 teeth). | 1 |
| DS 332-91 | Distance piece for sealing bush (20 x 21.6 x 118.8). | 1 | D 332-306 | 4.68 mm thick. | | <u>DS 333-15a</u> | 2nd speed pinion and reverse. Since July 1964. | 1 |
| D 332-94 | Grub screw, pointed, 7 diameter x 31 long securing shaft. | 1 | D 332-307 | 4.71 mm thick. | | DW 333-15 | <i>2nd speed pinion and reverse on main pinion without hole for driving dowel (33 teeth). Until July 1964. Replaced by DS 333-15a; order in addition: 1-DS 333-040, 1-DS 333-18a, 1-DS 333-80 (R. VI), 1-DM 334-22, 1-DM 334-53, 1-DM 334-259, 1-614.201.</i> | 1 |
| | Washer, 54 x 66.5 for adjusting front of mainshaft, front ball bearing on bevel pinion shaft. | As nec. | D 332-308 | 4.74 mm thick. | | DW 333-16 | Train of 3rd and 4th on main pinion, without hole for driving dowel, splined internally (23 and 27 teeth). | 1 |
| D 332-95c | 0.1 mm thick. | | D 332-309 | 4.77 mm thick. | | DM 333-17a | Main pinion for 4th speed with straight tooth dog entry. | 1 |
| D 332-95d | 0.05 mm thick. | | D 332-310 | 4.80 mm thick. | | | | |
| | | | D 332-311 | 4.83 mm thick. | | | | |
| | | | D 332-312 | 4.86 mm thick. | | | | |
| | | | D 332-313 | 4.89 mm thick. | | | | |
| | | | D 332-314 | 4.92 mm thick. | | | | |
| | | | D 332-315 | 4.95 mm thick. | | | | |
| | | | D 332-316 | 4.98 mm thick. (also as thrust washer for sealing bush). | 1 | | | |
| | | | D 332-317 | 5.01 mm thick. | | | | |
| | | | D 332-318 | 5.04 mm thick. | | | | |
| | | | D 332-319 | 5.07 mm thick. | | | | |
| | | | D 332-320 | 5.10 mm thick. | | | | |
| | | | D 332-321 | 5.13 mm thick. | | | | |
| | | | D 332-322 | 5.16 mm thick. | | | | |
| | | | D 332-323 | 5.19 mm thick. | | | | |
| | | | D 332-324 | 5.22 mm thick. | | | | |
| | | | D 332-325 | 5.25 mm thick. | | | | |
| | | | D 332-326 | 5.28 mm thick. | | | | |
| | | | D 332-327 | 5.31 mm thick. | | | | |
| | | | D 332-328 | 5.34 mm thick. | | | | |
| | | | D 332-329 | 5.49 mm thick. | | | | |
| | | | D 332-330 | 6.48 mm thick. | | | | |

| NUMBER | DESCRIPTION | No. OFF | NUMBER | DESCRIPTION | No. OFF | NUMBER | DESCRIPTION | No. OFF |
|-------------------|---|---------|-------------------|---|---------|------------|---|---------|
| DM 333-18a | <i>Reverse speed mainshaft pinion (16 teeth, spiral). Until July 1964. Replaced by DS 333-18a, order in addition: 1-DS 333-040, 1-DS 333-80 (R. VI), 1-DM 334-22, 1-DM 334-53, 1-DM 334-259, 1-614.201.</i> | 1 | <u>DS 333-75a</u> | Bush for reverse gear sliding pinion, 19 x 37.5 x 30.3. Since July 1964. | 1 | D 333-309 | 3.01 mm thick. | |
| <u>DS 333-18a</u> | Reverse speed mainshaft pinion, thickness of pinion 13.2 mm. Since July 1964. | 1 | DM 333-80 | 1.54 mm thick. | | D 333-310 | 3.05 mm thick. | |
| DM 333-73 | Distance bush between needle bearing cages of intermediate reverse speed pinion (16.6 x 19 x 9.5) (R. VI). Until July 1964. | 1 | DM 333-80a | 2.02 mm thick. | | D 333-311 | 3.09 mm thick. | |
| <u>DS 333-73d</u> | Distance bush between needle bearing cages of intermediate reverse speed pinion, 16.6 x 18.9 x 9 (R. VI). Since July 1964. | 1 | DM 333-80b | 2.50 mm thick. | | D 333-312 | 3.13 mm thick. | |
| | Washer, 16 diameter x 17.5, for adjustment of reverse speed sliding pinion (R. VI). Until July 1964. | As nec. | DM 333-80c | 2.98 mm thick. | | D 333-313 | 3.17 mm thick. | |
| DM 333-74 | 0.4 mm thick. | | DM 333-80d | 3.46 mm thick. | | D 333-314 | 3.21 mm thick. | |
| DM 333-74a | 0.7 mm thick. | | DM 333-80e | 3.94 mm thick. | | D 333-315 | 3.25 mm thick. | |
| DM 333-74b | 1 mm thick. | | <u>DS 333-80</u> | Thrust washer with lug for sliding reverse gear pinion (R. VI). Since July 1964. | 1 | D 333-316 | 3.29 mm thick. | |
| DM 333-74c | 1.3 mm thick. | | D 333-83 | 2.77 to 2.80 mm thick. | | D 333-317 | 3.33 mm thick. | |
| DM 333-74d | 1.6 mm thick. | | D 333-83a | 2.80 to 2.83 mm thick. | | D 333-318 | 3.37 mm thick. | |
| DM 333-74e | 1.9 mm thick. | | D 333-83b | 2.83 to 2.86 mm thick. | | D 333-319 | 3.41 mm thick. | |
| DM 333-74f | 2.2 mm thick. | | D 333-83c | 2.86 to 2.89 mm thick. | | D 333-320 | 3.45 mm thick. | |
| DM 333-74g | 2.5 mm thick. | | D 333-83d | 2.89 to 2.92 mm thick. | | D 333-321 | 3.49 mm thick. | |
| DM 333-74h | 2.8 mm thick. | | D 333-83e | 2.92 to 2.95 mm thick. | | D 333-322 | 3.53 mm thick. | |
| DM 333-74i | 3.1 mm thick. | | D 333-84 | Washer, 40 x 45 x 2.7, retaining half-washers between 2nd and 3rd speed mainshaft pinion. | 1 | D 333-323 | 3.57 mm thick. | |
| DM 333-74j | 3.4 mm thick. | | <u>DM 333-97</u> | Distance piece for bevel pinion shaft 45.15 mm long (arrangement for mountain ratio). | 1 | D 333-324 | 3.61 mm thick. | |
| DM 333-74k | 3.7 mm thick. | | | Thrust washer for front ball bearing on bevel pinion shaft, 25 x 33; | As nec. | D 333-325 | 3.65 mm thick. | |
| DM 333-74m | 4 mm thick. | | D 333-300 | 2.65 mm thick. | | D 333-326 | 3.69 mm thick. | |
| DM 333-74n | 4.3 mm thick. | | D 333-301 | 2.69 mm thick. | | D 333-327 | 3.73 mm thick. | |
| DM 333-74p | 4.6 mm thick. | | D 333-302 | 2.73 mm thick. | | D 333-328 | 3.77 mm thick. | |
| DM 333-74q | 4.9 mm thick. | | D 333-303 | 2.77 mm thick. | | D 333-329 | 3.81 mm thick. | |
| | | | D 333-304 | 2.81 mm thick. | | D 333-330 | 3.85 mm thick. | |
| | | | D 333-305 | 2.85 mm thick. | | D 333-331 | 3.89 mm thick. | |
| | | | D 333-306 | 2.89 mm thick. | | D 333-332 | 3.93 mm thick. | |
| | | | D 333-307 | 2.93 mm thick. | | D 333-333 | 3.97 mm thick. | |
| | | | D 333-308 | 2.97 mm thick. | | D 333-334 | 4.01 mm thick. | |
| | | | | | | D 333-335 | 4.05 mm thick. | |
| | | | | | | D 333-336 | 4.09 mm thick. | |
| | | | | | | D 333-337 | 4.13 mm thick. | |
| | | | | | | D 333-338 | 4.17 mm thick. | |
| | | | | | | D 333-339 | 4.21 mm thick. | |
| | | | | | | D 333-340 | 4.25 mm thick. | |
| | | | | | | DM 335-05a | Synchromesh for 2nd speed. | 1 |
| | | | | | | DW 335-09 | Synchromesh for 1st speed. | 1 |
| | | | | | | DM 335-8 | Sliding collar for operating meshing plungers. Width 10 mm. | 1 |

The numbers underlined indicate new parts which do not appear on the illustration.

94—GEARBOX—PINIONS—SHAFTS

| NUMBER | DESCRIPTION | No. OFF | NUMBER | DESCRIPTION | No. OFF | NUMBER | DESCRIPTION | No. OFF |
|------------|---|---------|-----------|---|---------|----------------|--|---------|
| DM 335-15b | Set of 12 meshing plungers, groove for housing collar. Width 10.1 mm. | 1 | DW 344-01 | Crown wheel and pinion (3rd and 4th speed gear-train driven by splines), 8 x 31. | 1 | 620.083 | Needle bearing cage, 33 x 36 x 36, for 4th speed mainshaft pinion (R. VI). | 1 |
| DM 335-16a | Synchromesh ring for 3rd and 4th speed pinions (straight entry of teeth). | 2 | DS 344-5 | Nut, hex., 24 diameter x 150 pitch, shouldered part 25 mm diameter, locking bevel pinion. | 1 | 620.088 | Double ball bearing, oblique, shouldered, 25 x 62 x 67.5 x 25.4 (R. I): - for front of mainshaft. - for front of bevel pinion shaft. | 1 1 |
| DW 335-18 | Meshing plunger for 1st speed synchromesh. | 1 | D 344-90 | Locking ring for rear roller bearing on bevel pinion (teeth side), with internal chamfer on one face. | 1 | 620.094 | Needle bearing cage, 33 x 36 x 32.2 for 3rd speed mainshaft pinion (R. VI). | 1 |
| | Driving dowel for synchromesh rings, length 23.2 mm. | As nec. | D 344-96 | Locking ring for rear roller bearing of bevel pinion (shaft side), without chamfer. | 1 | 620.125 | Needle bearing cage, 16 x 19 x 20 for reverse speed sliding pinion (R. VI). | 2 |
| DM 335-70a | 5.2 mm thick. | | 2.493-S | Nut, hex., 7 diameter x 100 pitch, locking grub screw on shaft (R. III). | 1 | 620.126 | Needle thrust bearing, 16 x 32 x 2.8 for reverse speed sliding pinion (R. VI). Until July 1964. Since July 1964. | 1 2 |
| DM 335-70b | 5.3 mm thick. | | 2.713-S | Ball, 6.35 mm diameter for 3rd and 4th speed sliding pinion (R. VI). | 1 | <u>620.262</u> | Needle bearing cage for intermediate reverse speed pinion (16 x 19 x 16) (R. VI). Since July 1964. | 2 |
| DM 335-70c | 5.4 mm thick. | | 501.002 | Cap, 20 mm diameter for hole for reverse pinion shaft (R. I). | 1 | 620.503 | Circlip, retaining bearing (R. VI). | 2 |
| D 335-73 | Compression spring for balls of synchromesh for 3rd and 4th speed pinion. | 3 | 620.047 | Bearing, 20 x 62 x 17, on rear of mainshaft (R. VI). | 1 | 620.523 | Circlip locking reverse speed sliding pinion (R. I). Until July 1964. | 1 |
| | Internally toothed ring for adjusting 2nd speed synchromesh assembly. | As nec. | 620.081 | Needle bearing cage, 33 x 36 x 30 for 2nd speed mainshaft pinion (R. VI). | 1 | 620.524 | Locking ring for reverse speed sliding pinion needle bearing cage (17 x 20 x 1.2) (R. VI). Until July 1964. | 2 |
| D 335-82 | 0.4 mm thick. | | | | | | | |
| D 335-82a | 0.7 mm thick. | | | | | | | |
| D 335-82b | 1 mm thick. | | | | | | | |
| D 335-82c | 1.2 mm thick. | | | | | | | |
| D 335-82d | 1.5 mm thick. | | | | | | | |
| D 335-82e | 0.2 mm thick. | | | | | | | |
| D 335-82f | 0.35 mm thick. | | | | | | | |
| D 335-82g | 0.50 mm thick. | | | | | | | |
| D 335-82h | 0.60 mm thick. | | | | | | | |
| | Segment for 1st speed synchromesh. | As nec. | | | | | | |
| DW 335-88 | 1.3 mm thick. 1st possibility. | | | | | | | |
| DW 335-88a | 1.4 mm thick. 2nd possibility. | | | | | | | |



| NUMBER | DESCRIPTION | No. OFF | NUMBER | DESCRIPTION | No. OFF | NUMBER | DESCRIPTION | No. OFF |
|-----------|--|---------|-----------|---|---------|------------------|---|---------|
| DS 343-1 | <i>Housing for differential (tapped 10 diameter × 150 pitch for securing crown wheel). Until July 1959. Replaced by DS 343-1b; order in addition: 3-DS 343-5, 5-DS 343-6, 1-DS 343-7a to DS 343-7g (R. VI), 2-DS 343-8c to DS 343-8i, according to setting.</i> | 1 | | Thrust washer, 38.25 x 56, for planet gear (R. VI): | As nec. | | Washer for adjusting differential bearing diameters 72 x 82.8: | As nec. |
| | | | DS 343-7a | 1.91 mm thick. | | D 343-98 | 3 mm thick. | |
| | | | DS 343-7c | 2.03 mm thick. | | D 343-98a | 3.05 mm thick. | |
| | | | DS 343-7e | 2.15 mm thick. | | D 343-98b | 3.10 mm thick. | |
| | | | DS 343-7g | 2.27 mm thick. | | D 343-98c | 3.15 mm thick. | |
| DS 343-1a | <i>Housing for differential, distance between bearing face for planet gear and bearing face on crown wheel: 54 mm; between bearing faces of satellite pinion 74.4 mm., securing holes for crown wheel tapped 10 diameter × 125 pitch. July 1959 - July 1960. Replaced by DS 343-1b; order in addition; 1-DS 343-7a to DS 343-7g (R. VI), 2-DS 343-8c to DS 343-8i, according to setting.</i> | 1 | | Thrust washer for satellite pinion, 14 x 27.7. Until June 1960. | As nec. | D 343-98d | 3.20 mm thick. | |
| | | | D 343-8 | 1.4 mm thick. | | D 343-98e | 3.25 mm thick. | |
| | | | D 343-8a | 1.2 mm thick. | | D 343-98f | 3.30 mm thick. | |
| | | | D 343-8b | 1 mm thick. | | D 343-98g | 3.35 mm thick. | |
| | | | | Thrust washer for satellite pinion, 14 x 27.7. Since June 1960. | As nec. | DS 344-01 | Crown wheel and pinion, 8 x 31 with rear bearing assembled (3rd and 4th speed gear-train driven by dowels). Replaces type 9 x 35. Until September 1962. | 1 |
| DS 343-1b | Housing for differential, distance between bearing face for planet wheel and bearing face on crown wheel 54 mm, between faces of satellite pinion: 75.6 mm, securing holes for crown wheel tapped 10 diameter x 125 pitch. Since June 1960. | 1 | DS 343-8c | 1.71 mm thick. | | DW 344-01 | Crown wheel and pinion, 8 x 31, (3rd and 4th speed gear-train driven by splines). Since September 1962. | 1 |
| | | | DS 343-8e | 1.85 mm thick. | | DF 344-02 | Crown wheel and pinion, 7 x 31, (mountain use). Until September 1962. | 1 |
| | | | DS 343-8g | 1.99 mm thick. | | <u>DM 334-02</u> | Crown wheel and pinion, 7 x 31, 30 mm diameter for a length of 135.5 mm (mountain use). Since September 1962. | 1 |
| | | | DS 343-8i | 2.13 mm thick. | | 408.451 | Taper roller bearing (40 x 80 x 19.5) for differential housing (R. VI). | 2 |
| | | | D 343-9 | Crosshead for satellite pinion spindle, 25 x 40.5 x 20. | 1 | 500.367 | Rear bearing of bevel pinion (30 x 72 x 19) (R. VI). (Arrangement with mountain ratio). | 1 |
| DS 343-2 | Planet wheel (16 teeth). | 2 | | Distance washer for differential bearing, diameter 74 x 82.8: | As nec. | 508.425 | Spindle for satellite pinion (14 x 109) (R. I). | 1 |
| D 343-3 | Satellite pinion, 10 teeth, total height 10.6 mm. | 4 | D 343-97 | 2.9 mm thick. | | 508.426 | Spindle for satellite pinions (14 x 47.5) (R. I). | 2 |
| D 343-5 | Screw, hex. head, with dowel, 10 diameter x 150 pitch, length 37.5, securing housing on crown wheel and locking satellite pinion spindle. Until July 1959. | 3 | D 343-97a | 3.3 mm thick. | | 611.008 | Lockwasher, double, for screws securing crown wheel on differential (R. I). Until July 1959. | 4 |
| DS 343-5 | Screw, hex. head, with dowel, 10 diameter x 125 pitch, 36.5 long, securing housing on crown wheel and locking satellite pinion spindle. Since July 1959. | 3 | D 343-97b | 3.7 mm thick. | | | | |
| | | | D 343-97c | 4.1 mm thick. | | | | |
| | | | D 343-97d | 4.5 mm thick. | | | | |
| | | | D 343-97e | 4.9 mm thick. | | | | |
| | | | D 343-97f | 5.3 mm thick. | | | | |
| D 343-6 | Screw, hex. head, 10 diameter x 150 pitch, 26 long, securing housing on crown wheel. Until July 1959. | 5 | D 343-97g | 5.7 mm thick. | | | | |
| DS 343-6 | Screw, hex. head, 10 diameter x 125 pitch, 25 long, securing housing on crown wheel. Since July 1959. | 5 | | | | | | |

The numbers underlined indicate new parts which do not appear on the illustration.

98—GEAR CHANGE CONTROL (LEFT-HAND STEERING)

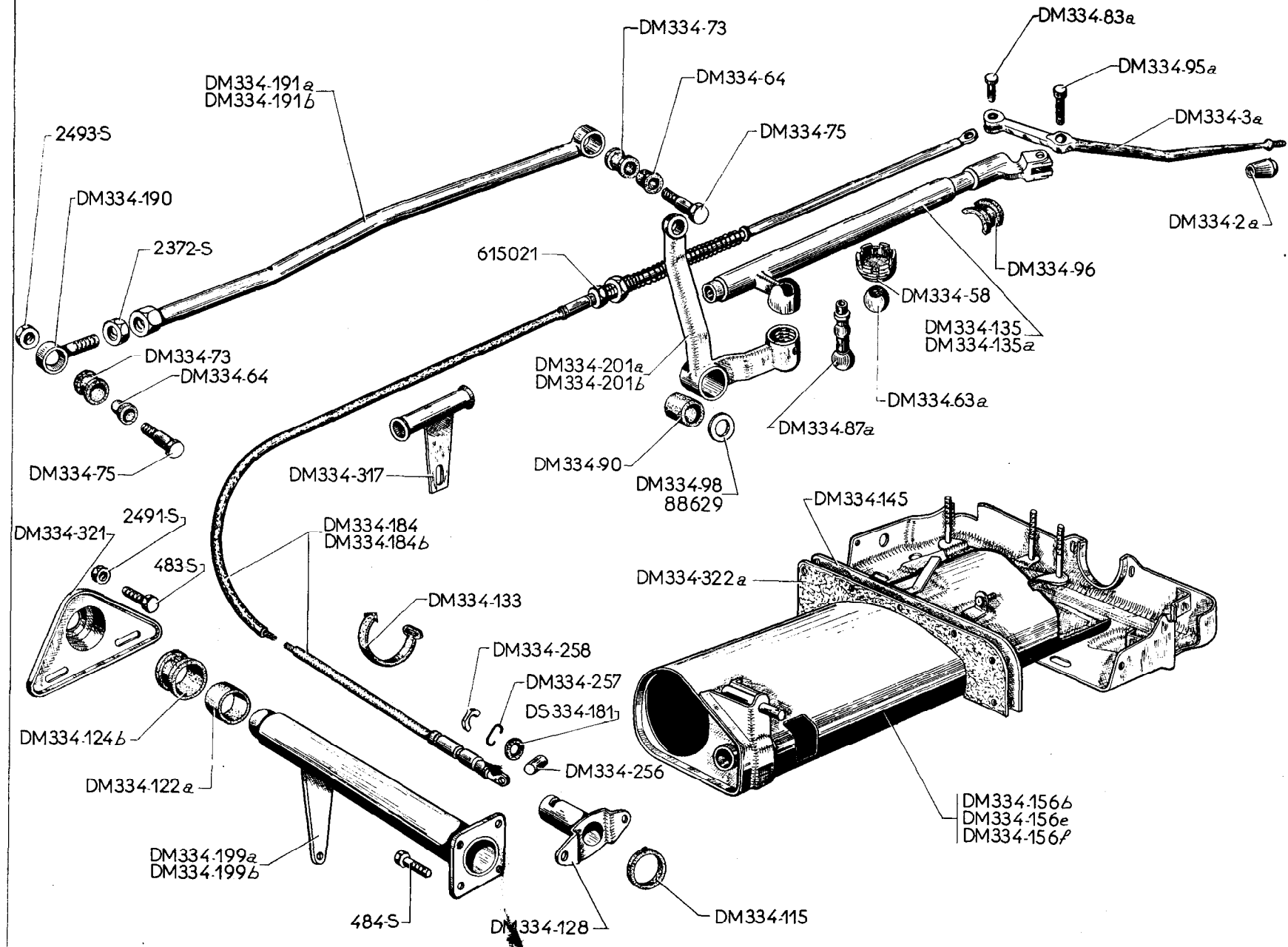
| NUMBER | DESCRIPTION | No. OFF | NUMBER | DESCRIPTION | No. OFF | NUMBER | DESCRIPTION | No. OFF |
|-----------------|--|---------|------------------|---|---------|-------------|---|---------|
| | For Right-hand Steering see page 102 | | | | | | | |
| DM 334-2a | Knob for gear control lever on dashboard (R. VI). Until September 1964. | 1 | DM 334-71 | <i>Rod for gear change control (total length 820 mm). Until April 1963. Replaced by DM 334-71a; order in addition: 1-DM 334-190.</i> | 1 | DM 334-87a | Ball with stem for bell crank lever and shaft for gear change control. | 1 |
| <u>DW 334-2</u> | Knob for gear control lever on dashboard, threaded 7 x 100 (R. VI). Since September 1964. | 1 | DM 334-71a | Rod for gear change control (total length 772 mm). Since April 1963. | 1 | DM 334-90 | Bush, Rilsan, 12 x 16 x 25, for gear change control bell crank lever (R. VI). | 1 |
| DM 334-3 | Gear control lever on dashboard (diameter for hole for articulating pin 10 mm). Until May 1959. | 1 | DM 334-73 | Rubber bush, shouldered, 12 x 16 x 19 x 14.5, securing control rod. | 2 | DM 334-92a | Bell crank lever for gear change control. | 1 |
| DM 334-3a | Gear control lever on dashboard (diameter of hole for articulating pin 7 mm). May 1959 - September 1964. | 1 | <u>DJ 334-75</u> | Pin, shouldered, 10 diameter (threaded 7 x 100), securing control rod, length under head 34 mm. Since December 1966. | 2 | DM 334-95 | Pin, shouldered, 10 diameter x 35 long, for gear change control for lever on dashboard. Until May 1959. | 1 |
| <u>DW 334-3</u> | Gear control lever on dashboard, threaded 7 x 100. Since September 1964. | 1 | DM 334-75 | Pin, shouldered, 10 diameter (threaded 7 diameter x 100 pitch), securing control rod. All Types except Germany. (Anti-theft device). Until December 1966. | 2 | DM 334-95a | Pin, shouldered, 7 diameter x 32.8 long, for gear change lever on dashboard. Since May 1959. | 1 |
| DM 334-4a | Shaft for gear change control with forked end and lever (diameter of hole for articulating pin 10 mm). Until May 1959. | 1 | DM 334-75a | Pin, shouldered, 10 x 36 (threaded 6 diameter x 100 pitch), securing control rod (R. VI). Germany. (Anti-theft device). March 1962 - December 1962. | 2 | DM 334-96 | Half-bearing, Rilsan, for gear change control shaft (20 mm long) (R. VI). | 2 |
| DM 334-4b | Shaft for gear change control with forked end and lever (diameter of hole for articulating pin 7 mm). May 1959 - September 1964. | 1 | DM 334-76 | <i>End piece, adjustable, for control rod (threaded 9 diameter x 125 pitch, eye off-centre). Until April 1963. Replaced by DM 334-190; order in addition: 1-DM 334-71a.</i> | 1 | DM 334-98 | Flexible washer, 12 x 22 x 0.5, for gear change bell crank lever (R. VI). | 1 |
| <u>DW 334-4</u> | <i>Shaft for gear change control, with forked end and lever (diameter of hole for articulating pin 7 mm). Since September 1964. Replaced by DJ 334-4; order in addition: 1-DJ 334-142, 1-DJ 334-257 (R. VI).</i> | 1 | DM 334-79 | <i>Cable for gear change control, 1410 mm long (R. VI). Until September 1964. Replaced by DW 334-79.</i> | 1 | DM 334-102 | Tube for gear change control with flexible coupling and lever. | 1 |
| DM 334-58 | Seat for ball joint on bell crank lever for gear change control. | 2 | <u>DW 334-79</u> | Cable for gear change control, 1410 mm long. Since September 1964. | 1 | DM 334-115 | Joint, rubber, 28.5 x 35 x 2, between flange and support tube for fork shaft operating levers. | 1 |
| DM 334-63a | Ball joint on bell crank lever for gear change control. | 1 | DM 334-83 | <i>Clevis pin, 5 diameter x 14.5 long, connecting cable to control lever on dashboard. Until May 1959. Replaced by DM 334-83a.</i> | 1 | DM 334-122a | Bush, rubber, 31.5 x 40.25 x 10, for control tube bearing. | 1 |
| DM 334-64 | Bush, Rilsan, shouldered, 10 x 12 x 17 x 7.5, securing control rod (R. VI). | 4 | DM 334-83a | Pin, shouldered, 5 diameter x 15.5 long, connecting cable to control lever on dashboard. All Types except Germany. (Anti-theft device). Since May 1959. | 1 | DM 334-124a | Bush, shouldered, 29 x 31.5 x 33.4 x 12 for control tube bearing (R. VI). | 1 |
| DM 334-66 | Guide for gear change control cable. Until September 1962. | 1 | DM 334-83b | Pin, shouldered, 5 diameter x 28.65 long, connecting cable to control lever on dashboard (R. VI). Germany. (Anti-theft device). March 1962 - December 1962. | 1 | DM 334-125 | Housing for gear change control on dashboard. Until March 1959. | 1 |
| DW 334-66 | Guide for gear change control cable. Since September 1962. | 1 | | | | DM 334-125a | Housing for gear change control on dashboard. All Types except Cold Climates. March 1959 - June 1960. | 1 |
| | | | | | | DM 334-125b | <i>Housing for gear change control on dashboard. Cold Climates. Until June 1960. All Types except Germany. (Anti-theft device). June 1960 - December 1962. Replaced by DM 334-125d.</i> | 1 |
| | | | | | | DM 334-125c | Housing for gear change control on dashboard. Germany. (Anti-theft device). March 1962 - December 1962. | 1 |
| | | | | | | DM 334-125d | Housing for gear change control on dashboard (3 grooves on width). December 1962 - September 1964. | 1 |

GEAR CHANGE CONTROL (LEFT-HAND STEERING)—101

| NUMBER | DESCRIPTION | No. OFF | NUMBER | DESCRIPTION | No. OFF | NUMBER | DESCRIPTION | No. OFF |
|-------------|--|---------|-----------|---|---------|----------------|---|---------|
| DV 334-125 | Housing for gear change control on dashboard. Since July 1965. | 1 | DM 611-74 | Flexible distance piece for trunnion (R. VI). Germany. March 1962 - December 1962. | 1 | 2.372-S | Nut, hex., 9 diameter x 125 pitch, for adjustable end piece (R. III). | 1 |
| DW 334-125a | Housing for gear change control on dashboard. September 1964 - July 1965. | 1 | DM 611-75 | Bracket for anti-theft mechanism (R. VI). Germany. March 1962 - December 1962. | 1 | 2.491-S | Nut, hex., 7 diameter x 100 pitch, 7 mm high, for screws securing support tube bearing (R. III). | 2 |
| DM 334-126 | Bearing bracket, bushed, supporting tube for gear change control. | 1 | DM 611-79 | Return spring for anti-theft bolt (8 x 106) (R. VI). Germany. March 1962 - December 1962. | 1 | 2.493-S | Nut, hex., 7 diameter x 100 pitch, 5 mm high, securing control rod (R. III). Until December 1966. | 2 |
| DM 334-128 | Coupling flange with hub, between flexible coupling support tube for fork shaft operating levers. | 1 | DM 611-82 | Safety bolt for anti-theft device (R. VI). Germany. March 1962 - December 1962. | 1 | 88.629 | Washer, plain, 12.5 x 20 x 1, for bell crank lever for gear change control (R. I). | 1 |
| DM 334-133 | Strap, rubber, for securing gear change control cable. | 1 | DS 611-90 | Lock barrel, with key, and nuts locking anti-theft device (R. VI). Germany. March 1962-December 1962. | 1 | 615.021 | Nut, hex., 15 diameter x 150 pitch, securing shaft for gear change control (R. VI). | 1 |
| DS 334-181 | <i>Ring seal, 10.5 x 15.9 x 2.7, on end piece of cable sheath (R. VI). Replaced by 4.978-S.</i> | 1 | DM 611-98 | Bolt, only, for lock (R. VI). Germany. March 1962 - December 1962. | 1 | 615.850 | Nut, 7 diameter, snap-off head, securing reinforcement on support for control (R. VI). Germany. March 1962 - December 1962. | 2 |
| DM 334-190 | Adjustable end piece for gear control rod (threaded 9 diameter x 125 pitch, hole in spindle thread). Since April 1963. | 1 | 483-S | Screw, hex. head, 7 diameter x 15 long, securing support tube bush (R. III). | 2 | 615.851 | Nut, 6 diameter, snap-off head, securing control rod (R. VI). Germany. March 1962 - December 1962. | 2 |
| DM 334-256 | Pin, cylindrical, 5 x 13, connecting control cable to locking plunger. | 1 | 484-S | Screw, hex. head, 7 diameter x 17.5 long, securing gear control coupling (R. III). | 2 | <u>615.904</u> | Nut, Nylstop, 7 x 100, securing control rod (R. VI). Since December 1966. | 1 |
| DM 334-257 | Circlip for end piece of gear change control cable sheath. | 1 | 2.320-S | Nut, hex., 5 diameter x 75 pitch, locking safety catch for anti-theft device (R. III). Germany. March 1962 - December 1962. | 1 | 622.950 | Screw, 7 diameter x 18 long, snap-off head, for connecting tube and coupling on gearbox (R. VI). Germany. March 1962 - December 1962. | 2 |
| DM 334-258 | Half washer for securing end piece of gear change control cable sheath (R. VI). | 1 | | | | | | |
| DM 611-1 | Anti-theft device with its brackets. Germany. March 1962 - December 1962. | 1 | | | | | | |
| DM 611-10 | Bracket for anti-theft device (R. VI). Germany. March 1962 - December 1962. | 1 | | | | | | |

The numbers underlined indicate new parts which do not appear on the illustration.

104—GEAR CHANGE CONTROL (RIGHT-HAND STEERING)



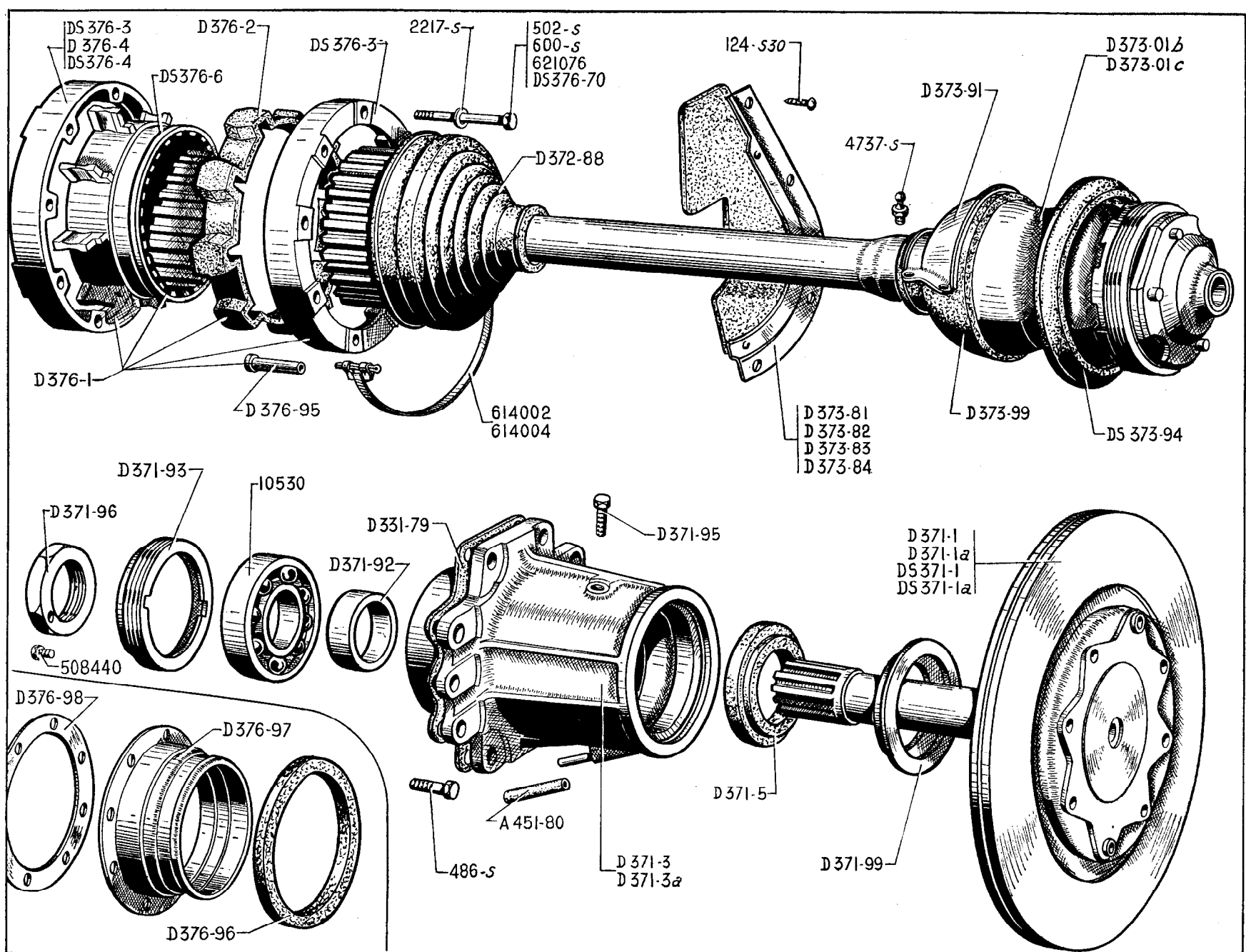
102—GEAR CHANGE CONTROL (RIGHT-HAND STEERING)

| NUMBER | DESCRIPTION | No. OFF | NUMBER | DESCRIPTION | No. OFF | NUMBER | DESCRIPTION | No. OFF |
|------------------|--|---------|-------------------|---|---------|--------------------|---|---------|
| | For Left-hand Steering see page 98 | | | | | | | |
| DM 334-2a | Knob for gear control lever on dashboard (R. VI). Until September 1964. | 1 | DM 334-96 | Half-bearing, Rilsan, for gear change control shaft (20 mm long) (R. VI). | 2 | DM 334-156f | Housing for gear change control on dashboard, December 1962 - September 1964. | 1 |
| <u>DW 334-2</u> | Knob for control lever on dashboard, threaded 7 x 100 (R. VI). Since September 1964. | 1 | DM 334-98 | Flexible washer, 12 x 22 x 0.5, for bell crank lever (R. VI). | 1 | <u>DW 334-156</u> | Housing for gear change control on dashboard. Since September 1964. | 1 |
| DM 334-3a | Gear control lever on dashboard (diameter of hole for articulating pin 7 mm). Until September 1964. | 1 | DM 334-115 | Joint, rubber, 28.5 x 35 x 2, between flange and support tube for fork shaft operating levers. | 1 | DS 334-181 | <i>Ring seal, 10.5 x 15.9 x 2.7, on end piece of control cable sheath (R. VI). Replaced by 4.978-S.</i> | 1 |
| <u>DW 334-3a</u> | Gear control lever on dashboard. Since September 1964. | 1 | DM 334-122a | Bush, rubber, 31.5 x 40.25 x 10, for control tube bearing. | 1 | DM 334-184 | Cable for gear change control, 1,650 mm long (R. VI). Until October 1962. | 1 |
| DM 334-58 | Seating for ball joint on bell crank lever for gear change and control. | 2 | DM 334-124b | Bush, shouldered, split, for control tube bearing (R. VI). | 1 | <u>DM 334-184a</u> | Cable for gear change control (R. VI). Since July 1965. | 1 |
| DM 334-63a | Ball joint for bell crank lever for gear change control. | 1 | DM 334-128 | Coupling flange, with hub, between flexible coupling and support tube for fork shaft operating levers. | 1 | DM 334-184b | Cable for gear change control, 1,630 mm between centres (R. VI). October 1962 - September 1964. | 1 |
| DM 334-64 | Bush, Rilsan, shouldered, 10 x 12 x 17 x 7.5, securing control rod (R. VI). | 4 | DM 334-133 | Strap, rubber, securing gear change control cable. | 1 | <u>DW 334-184</u> | Cable for gear change control (R. VI). September 1964 - July 1965. | 1 |
| DM 334-73 | Bush, rubber, shouldered, 12 x 16 x 19 x 14.5, securing control rod. | 2 | DM 334-135 | Shaft, for gear change control, with fork end and lever. Until October 1962. | 1 | DM 334-190 | End piece, adjustable, for control rod (threaded 9 diameter x 125 pitch), eye on thread centre line. | 1 |
| <u>DJ 334-75</u> | Pin, shouldered, 10 diameter (threaded 7 x 100), securing control rod, length under head 34 mm. Since December 1966. | 2 | DM 334-135a | Shaft for gear change control, with fork end and lever. October 1962 - September 1964. | 1 | DM 334-191a | Rod for gear change control (total length 805 mm). Until October 1962. | 1 |
| DM 334-75 | Pin, shouldered, 10 diameter (threaded 7 diameter x 100 pitch) securing control rod. Until December 1966. | 2 | <u>DW 334-135</u> | <i>Shaft for gear change control, with fork end and lever. Since September 1964. Replaced by DJ 334-135; order in addition: 1-DJ 334-142, 1-DJ 334-257 (R. VI).</i> | 1 | DM 334-191b | Rod for gear change control (total length 795 mm) (R. VI). Since October 1962. | 1 |
| DM 334-83a | Pin, shouldered, 5 diameter x 15.5 long, connecting cable to control lever and dashboard. | 1 | DM 334-145 | Backplate, for sealing strip (R. VI). Since October 1962. | 1 | DM 334-199a | Tube for gear change control, with flexible coupling and lever. Until October 1962. | 1 |
| DM 334-87a | Ball with stem for bell crank lever and gear change control shaft. | 1 | DM 334-156b | <i>Housing for gear change control on dashboard. Until September 1960. Replaced by DM 334-156f.</i> | 1 | DM 334-199b | Tube for gear change control, with flexible coupling and lever. Since October 1962. | 1 |
| DM 334-90 | Bush, Rilsan, 12 x 16 x 25, for gear change bell crank lever (R. VI). | 1 | DM 334-156e | <i>Housing for gear change control on dashboard, (2 grooves on width). September 1960 - December 1962. Replaced by DM 334-156f.</i> | 1 | | | |
| DM 334-95a | Pin, shouldered, 7 diameter x 32.8 long, for control lever on dashboard. | 1 | | | | | | |

GEAR CHANGE CONTROL (RIGHT-HAND STEERING)-105

| NUMBER | DESCRIPTION | No. OFF | NUMBER | DESCRIPTION | No. OFF | NUMBER | DESCRIPTION | No. OFF |
|-------------|--|---------|-------------|---|---------|----------------|--|---------|
| DM 334-201a | Bell crank lever for gear change control. Until October 1962. | 1 | DM 334-317 | Guide for gear change control cable. Until October 1962. | 1 | 2.372-S | Nut, hex., 9 diameter x 125 pitch, for adjustable end piece (R. III). | 1 |
| DM 334-201b | Bell crank lever for gear change control (R. VI). Since October 1962. | 1 | DM 334-321 | Bearing bracket, bushed, for gear change control tube. | 1 | 2.491-S | Nut, hex., 7 diameter x 100 pitch, height 7 mm for screw securing bearing bracket, supporting control tube (R. III). | 2 |
| DM 334-256 | Pin, cylindrical, 5 diameter x 13 long, connecting control cable to locking plunger. | 1 | DM 334-322a | Sealing strip between dashframe and gear control support (R. VI). Since October 1962. | 1 | 2.493-S | Nut, hex., 7 diameter x 100 pitch, height 5 mm, securing control rod (R. III). | 2 |
| DM 334-257 | Circlip for end piece of gear change control cable sheath. | 1 | 483-S | Screw, hex. head, 7 diameter x 15 long, securing bearing bracket for gear change control tube (R. III). | 2 | 88.629 | Washer, plain, 12.5 x 20 x 1, for bell crank lever for gear change control (R. I). | 1 |
| DM 334-258 | Half-washer securing end piece of gear change control cable sheath (R. VI). | 1 | 484-S | Screw, hex. head, 7 diameter x 17.5 long, securing coupling flange for gear change control (R. III). | 2 | 615.021 | Nut, hex., 15 diameter x 150 pitch, securing shaft for gear change control (R. VI). | 1 |
| | | | | | | <u>615.904</u> | Nut, Nylstop, 7 x 100, securing control rod (R. VI). Since December 1966. | 1 |

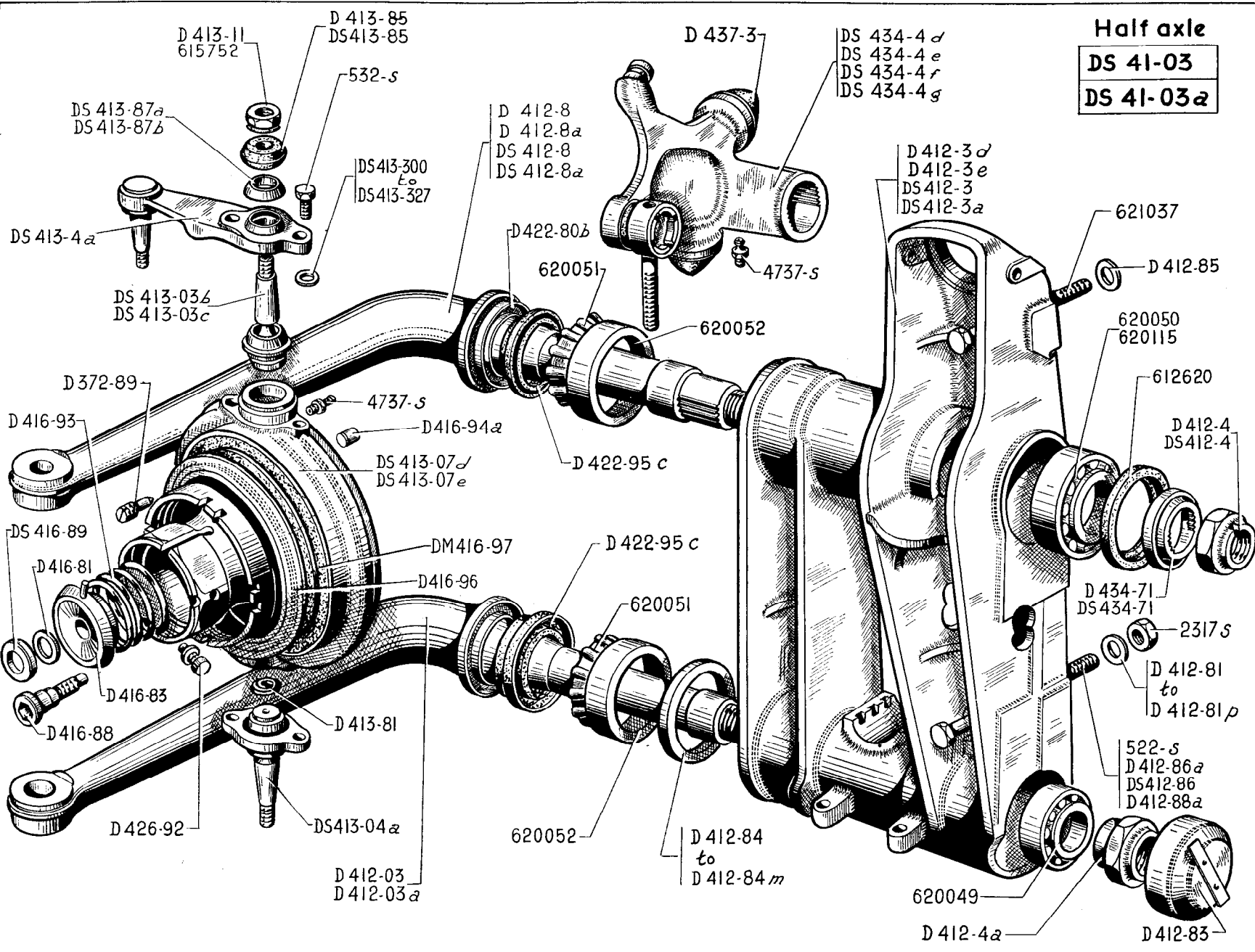
The numbers underlined indicate new parts which do not appear on the illustration.



106—FRONT AXLE—TRANSMISSION—DIFFERENTIAL SHAFTS

| NUMBER | DESCRIPTION | No. OFF | NUMBER | DESCRIPTION | No. OFF | NUMBER | DESCRIPTION | No. OFF |
|-----------|--|---------|------------------|---|---------|----------------|---|---------|
| A 451-80 | Pipe, flexible, 5 x 7 x 185, for oil drain on differential shaft housing (R. VI). | 2 | D 373-01b | Driveshaft complete, front, left-hand. | 1 | DS 376-4 | Sleeve with housing for centring dowels, differential shaft side 8 holes 9 mm diameter (for replacement of D 376-1). | 2 |
| D 331-79 | Joint for differential shaft housing (R. VI). | 2 | D 373-01c | Driveshaft complete, front right-hand. Sealing cover for transmission (hole in sidemember). Until November 1958. | 1 | DS 376-6 | Driving sleeve, female only, with cup. | 2 |
| D 371-1 | Differential shaft, left-hand, with brake friction disc, length of shaft 202 mm. Until October 1961. | 1 | D 373-81 | - rear, right-hand. | 1 | DS 376-70 | Screw, 7 diameter x 100 pitch, securing female driving sleeve. Length under head 73 mm, 8 mm body. | 16 |
| D 371-1a | Differential shaft, right-hand, with brake friction disc, length of shaft 192 mm. Until October 1961. | 1 | D 373-82 | - rear, left-hand. | 1 | D 376-95 | <i>Bush for assembling female driving sleeves, 10 mm diameter. Until October 1961. No longer supplied. (See MR 4479-1).</i> | 8 |
| DS 371-1 | Differential shaft, left-hand, with brake friction disc, 8 holes 9 mm diameter, length of shaft 202 mm. Since October 1961. | 1 | D 373-83 | - front, right-hand. | 1 | D 376-96 | Rubber ring, 112.5 x 121 x 13, on driving sleeve. Until June 1957. | 2 |
| DS 371-1a | Differential shaft, right-hand, with brake friction disc, 8 holes 9 mm diameter, length of shaft 192 mm. Since October 1961. | 1 | D 373-84 | - front, left-hand. | 1 | D 376-97 | Housing on driving sleeve for dust shield on driveshaft, 109 x 160 x 47. Until June 1957. | 2 |
| D 371-3 | Housing for differential shaft, left-hand, length 145.5 mm. | 1 | D 373-91 | <i>Half shell retaining rubber cover on driveshaft. Until April 1964. Replaced by DS 373-99; order in addition: 1-602.009 (R. VI). For 2 half cups.</i> | 4 | D 376-98 | Washer, 116 x 160 x 1, for rubber ring on driving sleeve. Until June 1957. | 2 |
| D 371-3a | Housing for differential shaft, right-hand, length 135.5 mm. | 1 | DS 373-94 | Sealing ring for universal joint, 108 x 118 x 16 (R. VI). | 2 | 124-S 30 | Screw, round head, 5 diameter x 12.5 long, securing shield for driving shaft opening (R. III). Until November 1958. | 14 |
| D 371-5 | Sealing ring for differential shaft ball bearing, 39 x 65 x 10 (R. VI). | 2 | D 373-99 | <i>Rubber cover for driveshaft universal joint, internal diameters 40 mm and 103 mm. Until April 1964. Replaced by DS 373-99; order in addition: 1-602.009 (R. VI) and supersede half-cup D 373-91.</i> | 2 | 486-S | Screw, hex. head, 7 diameter x 22.5 long, securing differential shaft bearing (R. III). | 8 |
| D 371-92 | Thrust bush, for differential shaft bearing, 30.2 x 38 x 10. | 2 | <u>DS 373-99</u> | Rubber cover for driveshaft universal joint, internal diameters 40 and 95 mm. Since April 1964. | 2 | 502-S | Screw, hex. head, 7 diameter x 18 long, for splined driving sleeve (R. III). NORMALE. | 16 |
| D 371-93 | Ring nut, external thread 74 diameter x 150 pitch, securing ball bearing on differential shaft housing. | 2 | D 376-1 | <i>Driving sleeve with flexible coupling 30 splines. LUXE. Until October 1961. Replaced by DS 376-4; order in addition: 1-DS 376-3, 1-DS 376-6, 1-D 376-2, 8-DS 376-70.</i> | 2 | 600-S | Screw, hex. head, 7 diameter x 70 long, securing driving sleeve (R. III). LUXE. Until October 1961. | 16 |
| D 371-95 | Screw, hex. head, 7 diameter x 100 pitch, locking ring nut for differential shaft housing ball bearing. | 2 | D 376-2 | Rubber driving block, female, external diameter 149 mm. | 2 | 2.217-S | Washer, 9.5 x 16 x 2, securing driving sleeve (R. III). Since October 1961. | 16 |
| D 371-96 | Nut, hex., 30 diameter x 150 pitch, for differential shaft. | 2 | DS 376-3 | Driving sleeve, female, (differential side, and wheel side), 8 holes 9 mm diameter. Since October 1961. | 4 | 4.737-S | Greaser for driveshaft (R. VI). | 2 |
| D 371-99 | Oil retaining washer on differential shaft, diameter 35 x 71.5 (R. VI). | 2 | D 376-4 | <i>Driving sleeve, female (differential side), 8 holes 7 mm diameter. Until October 1961. Replaced by DS 376-4; order in addition: 1-DS 376-3, 8-DS 376-70, 8-2.217-S (R. III).</i> | 2 | 10.530 | Bearing, 30 * 72 x 19, for differential shaft (R. VI). | 2 |
| D 372-88 | Dust shield on driveshaft (gearbox side), internal diameter 26 and 111 mm. | 2 | | | | 508.440 | Screw, hex. head, 6 x 11, locking differential shaft nut (R. I). | 2 |
| | | | | | | <u>602.009</u> | Clip (340 mm long) for securing rubber cover on driveshaft (R. VI). Since April 1964. | 2 |
| | | | | | | 614.002 | Clip securing dust shield on driveshaft 220 mm long (R. VI). | 2 |
| | | | | | | 614.004 | Clip securing dust shield on driving sleeve, 765 mm long (R. VI). | 2 |
| | | | | | | 621.076 | Screw, 9 diameter x 75 long, securing driving sleeve (R. II). Since October 1961. | 16 |

Half axle
DS 41-03
DS 41-03a



FRONT AXLE—LINK ARMS—STEERING SWIVELS—HUBS—COUPLING LEVERS—109

| NUMBER | DESCRIPTION | No. OFF | NUMBER | DESCRIPTION | No. OFF | NUMBER | DESCRIPTION | No. OFF |
|------------------|---|---------|------------------|--|---------|-----------|---|---------|
| DS 41-03 | <i>Half axle, front, left-hand (without swivel or driveshaft), upper link arm seating for bearing 40 mm diameter. Replaces earlier type. March 1960 - October 1964. Replaced by DS 41-03b.</i> | 1 | DS 412-3a | <i>Bracket for front link arms, right-hand (for upper link arm with 40 mm seating for bearing). March 1960 - October 1964. Replaced by DS 412-3c.</i> | 1 | D 412-81e | 2 mm thick. | |
| DS 41-03a | <i>Half axle, front, right-hand (without swivel or driveshaft), upper link arm seating for bearing 40 mm diameter. Replaces earlier type. March 1960 - October 1964. Replaced by DS 41-03c.</i> | 1 | <u>DS 412-3b</u> | Bracket for front link arms, left-hand (for tyres with wide treads). October 1964 - July 1965. | 1 | D 412-81f | 2.05 mm thick. | |
| <u>DS 41-03b</u> | Half axle, front, left-hand (without swivel or driveshaft), upper link arm seating for bearing 40 mm diameter for tyres with wide treads. October 1964 - July 1965. | 1 | <u>DS 412-3c</u> | Bracket for front link arms, right-hand (for tyres with wide treads). October 1964 - July 1965. | 1 | D 412-81g | 2.10 mm thick. | |
| <u>DS 41-03c</u> | Half axle, front, right-hand (without swivel or driveshaft), upper link arm seating for bearing 40 mm diameter for tyres with wide treads. October 1964 - July 1965. | 1 | <u>DX 412-3</u> | Support for front link arms, left-hand 1 flat on upper part (2 holes 7.15 mm diameter distance between centres 46.9 mm) for securing corrector support. Since July 1965. | 1 | D 412-81h | 2.15 mm thick. | |
| <u>DS 41-03f</u> | Half-axle, front, left-hand, (without swivel or driveshaft) 1 flat on upper part of bearing bracket. Since July 1965. | 1 | <u>DX 412-3a</u> | Support for front link arms, right-hand, 1 flat on upper part. Since July 1965. | 1 | D 412-81j | 2.20 mm thick. | |
| <u>DS 41-03g</u> | Half-axle, front, right-hand, (without swivel or driveshaft) 1 flat on upper part of bearing bracket. Since July 1965. | 1 | D 412-4 | Nut, hex., 27 diameter x 150 pitch, 16.5 mm thick, locking front upper link arm. Until March 1960. | 2 | D 412-81k | 2.25 mm thick. | |
| D 372-89 | Screw, with dowel 7 diameter x 100 pitch, length 18.8 mm, locking stub axle nut. | 2 | D 412-4a | Nut, hex., 27 diameter x 150 pitch, 22.6 mm thick, locking front lower link arm (R. VI). | 2 | D 412-81l | 2.30 mm thick. | |
| D 412-03 | Lower link arm, front, left-hand, seating for bearing 30 mm. | 1 | DS 412-4 | Nut, hex., 27 diameter x 150 pitch, (46 mm across flats), locking upper link arm. Since March 1960. | 2 | D 412-81m | 2.35 mm thick. | |
| D 412-03a | Lower link arm, front, right-hand, seating for bearing 30 mm. | 1 | D 412-8 | Upper link arm, front, left-hand, seating for bearing 35 mm. Until March 1960. | 1 | D 412-81n | 2.40 mm thick. | |
| D 412-3d | Bracket for front link arms, left-hand. Until March 1960. | 1 | D 412-8a | Upper link arm, front, right-hand, seating for bearing 35 mm. Until March 1960. | 1 | D 412-81p | 2.45 mm thick. | |
| D 412-3e | Bracket for front link arms, right-hand. Until March 1960. | 1 | | Thrust washer, 14.5 x 28, for lower bolt on bracket. Until April 1958. | As nec. | D 412-83 | Cap, sheet metal, over roller bearing on lower arms, external diameter 62.1 mm. | 2 |
| DS 412-3 | <i>Bracket for front link arms, left-hand (for upper link arm with 40 mm seating for bearing). March 1960 - October 1964. Replaced by DS 412-3b.</i> | 1 | D 412-81 | 1.75 mm thick. | | | Washer, 60 x 71.5 mm for adjusting caster angle on lower arms. | As nec. |
| | | | D 412-81a | 1.80 mm thick. <i>No longer supplied.</i> | | D 412-84 | 4.6 mm thick. | |
| | | | D 412-81b | 1.85 mm thick. <i>No longer supplied.</i> | | D 412-84a | 4.8 mm thick. | |
| | | | D 412-81c | 1.90 mm thick. | | D 412-84b | 5 mm thick. | |
| | | | D 412-81d | 1.95 mm thick. | | D 412-84c | 5.2 mm thick. | |
| | | | | | | D 412-84d | 5.4 mm thick. | |
| | | | | | | D 412-84e | 5.6 mm thick. | |
| | | | | | | D 412-84f | 5.8 mm thick. | |
| | | | | | | D 412-84g | 6 mm thick. | |
| | | | | | | D 412-84h | 6.2 mm thick. | |
| | | | | | | D 412-84j | 6.4 mm thick. | |
| | | | | | | D 412-84k | 6.6 mm thick. | |
| | | | | | | D 412-84l | 6.8 mm thick. | |
| | | | | | | D 412-84m | 7 mm thick. | |
| | | | | | | D 412-85 | Washer, 12 mm diameter for upper screw securing bracket carrying link arms. | 2 |
| | | | | | | D 412-86a | Screw, round head, 14 diameter x 150 pitch, length 104 mm, securing lower rear part of bracket carrying link arm. Until October 1959. | 2 |
| | | | | | | DS 412-86 | Screw, round head, serrated, 14 diameter x 150 pitch, 98 mm long, securing lower rear part of bracket carrying link arms. Since October 1959. | 2 |
| | | | | | | D 412-88a | Screw, hex. head, 14 diameter x 150 pitch, length 78.5 mm, securing lower part of bracket carrying link arms, front part. | 2 |

The numbers underlined indicate new parts which do not appear on the illustration.

I10—FRONT AXLE—LINK ARMS—STEERING SWIVELS—HUBS—COUPLING LEVERS

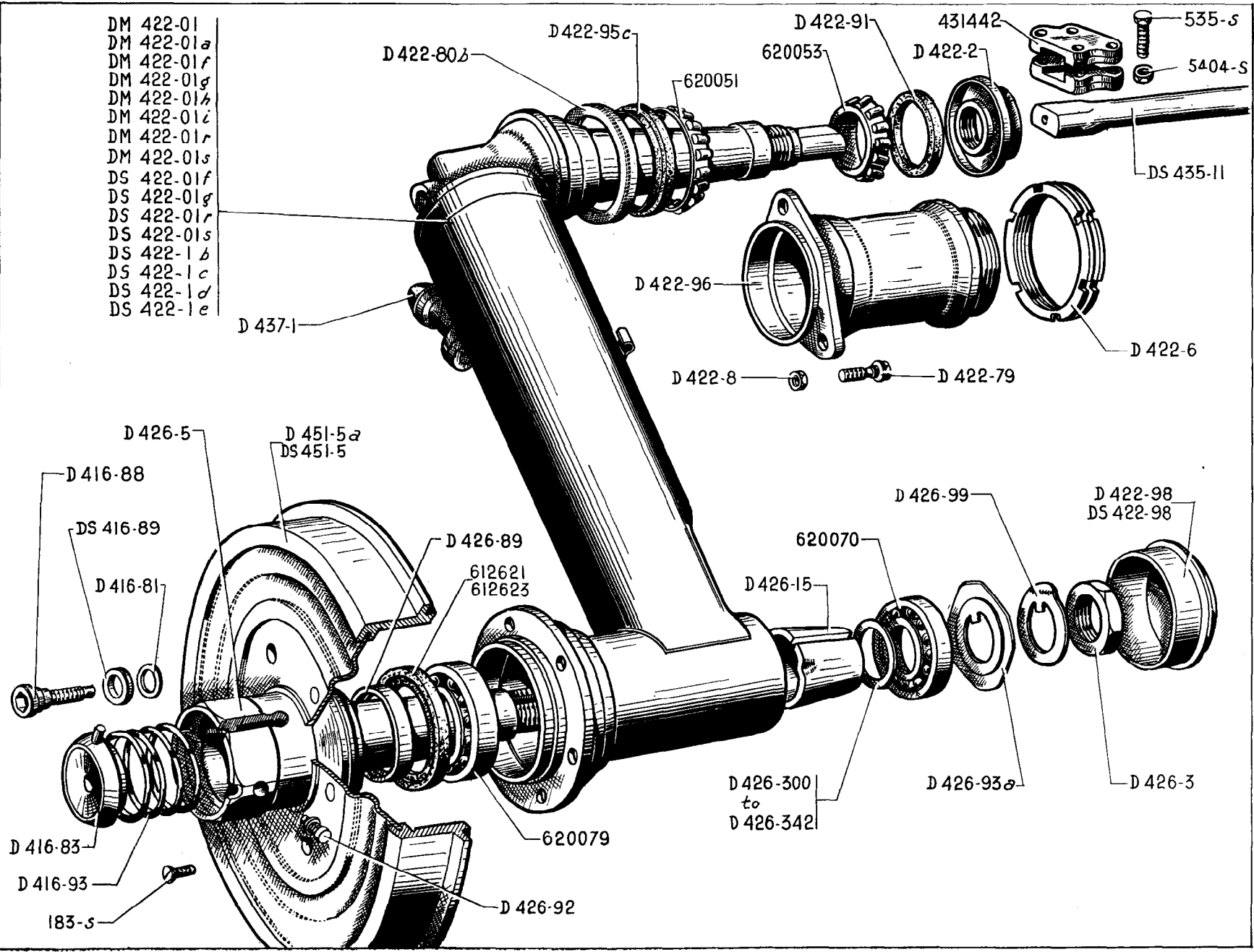
| NUMBER | DESCRIPTION | No. OFF | NUMBER | DESCRIPTION | No. OFF | NUMBER | DESCRIPTION | No. OFF |
|------------|---|---------|------------|--|---------|------------------|---|---------|
| DS 413-03b | Ball pin assembly, upper, (with 2 seats) without pin hole. Since October 1963. Replaces type fitted October 1959 - October 1963. Order in addition: 1-615.752 (R. VI). | 2 | DS 413-4a | Coupling lever on pivot, with ball pin (flange 22 mm thick) without pin hole. Since October 1963. Replaces previous types. - Until October 1959; order in addition: 1-DS 413-85, 1-DS 413-87a (R. VI), 1-615.751 (R. VI). - October 1959 - October 1963; order in addition: 1-615.751 (R. VI). | 2 | DS 413-309 | 1.59 mm thick. | |
| DS 413-03c | Ball pin assembly, upper, (with 2 seats, 1 distance piece). To replace D 413-03 (without pin hole). Since October 1963. Replaces previous types. Until October 1959; order in addition: 1-DS 413-4, 1-DS 413-85, 1-DS 413-87 (R. VI), 1-615.752 (R. VI). - October 1959 - October 1963; order in addition: 1-615.752 (R. VI). | 2 | D 413-11 | Nut, hex. castellated, 16 diameter x 150 pitch, for front swivel ball pin (R. VI). Until October 1963. | 4 | DS 413-310 | 1.63 mm thick. | |
| DS 413-04a | Ball pin assembly, lower, for swivel, with seat (36.3 mm diameter) and swivelling flange (without pin hole). Since October 1963. Replaces previous type. Order in addition: 1-615.752 (R. VI). | 2 | D 413-81 | Spring for lower swivel ball pin, external diameter 25.5 mm. | 2 | DS 413-311 | 1.67 mm thick. | |
| DS 413-07d | Swivel, left-hand, with hub (greaser for lower swivel). Upper and lower ball pins without pin hole. Since October 1963. Replaces previous types. - Until October 1959; order in addition: 1-DS 413-85, 1-DS 413-87a (R. VI), 1-615.751 (R. VI), 1-615.752 (R. VI). - October 1959 - October 1963; order in addition: 1-615.751 (R. VI), 1-615.752 (R. VI). | 1 | D 413-85 | Rubber joint for upper and lower articulation cup for swivel, internal diameter 21.5 mm, thickness 13 mm. - Lower. Since October 1959. | 4 | DS 413-312 | 1.71 mm thick. | |
| DS 413-07e | Swivel, right-hand, with hub (greaser for lower swivel). Upper and lower ball pins without pin hole. Since October 1963. Replaces previous types. - Until October 1959; order in addition: 1-DS 413-85, 1-DS 413-87a (R. VI), 1-615.751 (R. VI), 1-615.752 (R. VI). - October 1959 - October 1963; order in addition: 1-615.751 (R. VI), 1-615.752 (R. VI). | 1 | DS 413-85 | Rubber joint for upper articulation cup for swivel, internal diameter 21.5 mm, thickness 10.5 mm. Since October 1959. | 2 | DS 413-313 | 1.75 mm thick. | |
| | | | DS 413-87a | Articulation cup, upper, for swivel, 9 mm thick (R. VI). Since October 1959. | 2 | DS 413-314 | 1.79 mm thick. | |
| | | | DS 413-87b | Articulation cup, upper and lower swivel (R. VI). - Lower. Since October 1959. | 4 | DS 413-315 | 1.83 mm thick. | |
| | | | | Washer for adjusting upper and lower ball pins for swivel 9.5 x 14.5 | 2 | DS 413-316 | 1.87 mm thick. | |
| | | | DS 413-300 | 1.23 mm thick. | As nec. | DS 413-317 | 1.91 mm thick. | |
| | | | DS 413-301 | 1.27 mm thick. | | DS 413-318 | 1.95 mm thick. | |
| | | | DS 413-302 | 1.31 mm thick. | | DS 413-319 | 1.99 mm thick. | |
| | | | DS 413-303 | 1.35 mm thick. | | DS 413-320 | 2.03 mm thick. | |
| | | | DS 413-304 | 1.39 mm thick. | | DS 413-321 | 2.07 mm thick. | |
| | | | DS 413-305 | 1.43 mm thick. | | DS 413-322 | 2.11 mm thick. | |
| | | | DS 413-306 | 1.47 mm thick. | | DS 413-323 | 2.15 mm thick. | |
| | | | DS 413-307 | 1.51 mm thick. | | DS 413-324 | 2.19 mm thick. | |
| | | | DS 413-308 | 1.55 mm thick. | | DS 413-325 | 2.23 mm thick. | |
| | | | | | | DS 413-326 | 2.27 mm thick. | |
| | | | | | | DS 413-327 | 2.31 mm thick. | |
| | | | | | | D 416-81 | Washer, 21 x 30 x 3 mm thick, retaining wheel screw (R. VI). | 2 |
| | | | | | | D 416-83 | Cone for locking wheel on hub, threaded 18 diameter x 150 pitch (R. VI). | 2 |
| | | | | | | D 416-88 | Screw for locking wheel on hub, threaded 18 diameter x 150 pitch, length 63 mm (R. VI). | 2 |
| | | | | | | DS 416-89 | Thrust washer, 23.5 x 44 x 6.4, for wheel screw (R. VI). | 2 |
| | | | | | | D 416-93 | Spring for cone locking wheel on hub, external diameter 59 mm. | 2 |
| | | | | | | D 416-94a | Dowels for centring front swivel, 9.93 x 12.5. 1st possibility. | 8 |
| | | | | | | <u>D 416-94b</u> | Dowels for centring front swivel, 10.12 x 9.93. 2nd possibility. | 8 |
| | | | | | | D 416-96 | Deflector for ring seal on swivel, 127 x 168. | 4 |
| | | | | | | DM 416-97 | Ring seal on front swivel, 129 x 164 x 13 (R. VI) with rubber lip. | 4 |

FRONT AXLE—LINK ARMS—STEERING SWIVELS—HUBS—COUPLING LEVERS—113

| NUMBER | DESCRIPTION | No. OFF | NUMBER | DESCRIPTION | No. OFF | NUMBER | DESCRIPTION | No. OFF |
|-----------|---|---------|-----------|---|---------|---------|---|---------|
| D 422-80b | Cup for oil seal on link arm. | 4 | DS 434-71 | Distance piece for suspension lever on upper arm, 38 x 54 x 10.25 (R. VI). Since March 1960. | 2 | 612.620 | Oil seal on upper link arm (54 x 72 x 5) (R. VI). | 2 |
| D 422-95c | Oil seal on upper and lower link arm (54 x 72 x 12.5) (R. VI). | 4 | D 437-3 | Rebound rubber buffer for link arms, diameter 54.5 mm, height 23 mm. | 4 | 615.752 | Nut, Nylstop, 16 x 150 for pivot ball (R. VI). Since October 1963. | 4 |
| D 426-92 | Dowel for positioning wheel (R. VI). | 2 | 522-S | Screw, hex. head, 14 diameter x 150 pitch, length 65 mm, securing centre part of bracket carrying link arms (R. III). | 4 | 620.049 | Bearing on lower link arm (30 x 62 x 21.5) (R. VI). | 2 |
| DS 434-4d | Lever controlling suspension, left-hand splines 38 mm. Since March 1960. | 1 | 532-S | Screw, hex. head, 9 diameter x 125 pitch, 28 mm long, securing coupling lever and swivel flange (R. III). | 8 | 620.050 | Bearing on upper link arm (35 x 72 x 24.5) (R. VI). Until March 1960. | 2 |
| DS 434-4e | Lever controlling suspension, right-hand splines 38 mm. Since March 1960. | 1 | 2.317-S | Nut, hex., 14 diameter x 150 pitch, securing lower part of bracket carrying link arms (R. III). | 2 | 620.051 | Cage with 14 taper rollers on upper and lower link arms (R. VI). | 4 |
| DS 434-4f | Lever controlling suspension, front left-hand. Until March 1960. | 1 | 4.737-S | Greaser on front swivel (R. VI). - for suspension control levers. Since June 1961. - for lower swivel. Since June 1962. | 2 2 | 620.052 | Outer race for taper roller bearing for upper and lower link arms (19 x 12) (R. VI). | 4 |
| DS 434-4g | Lever controlling suspension, front right-hand. Until March 1960. | 1 | | | | 620.115 | Bearing on upper link arm (40 x 72 x 21.25) (R. VI). Since March 1960. | 2 |
| D 434-71 | Distance piece for front suspension lever on upper link arm, 32.1 x 54 x 10.25 (R. VI). Until March 1960. | 2 | | | | 621.037 | Screw, 12 diameter x 125 pitch, 89 mm long, securing upper part of bracket carrying link arm (R. II). | 2 |

116-REAR AXLE-LINK ARMS-HUBS

- DM 422-01
- DM 422-01 *a*
- DM 422-01 *f*
- DM 422-01 *g*
- DM 422-01 *h*
- DM 422-01 *i*
- DM 422-01 *r*
- DM 422-01 *s*
- DS 422-01 *f*
- DS 422-01 *g*
- DS 422-01 *r*
- DS 422-01 *s*
- DS 422-1 *b*
- DS 422-1 *c*
- DS 422-1 *d*
- DS 422-1 *e*

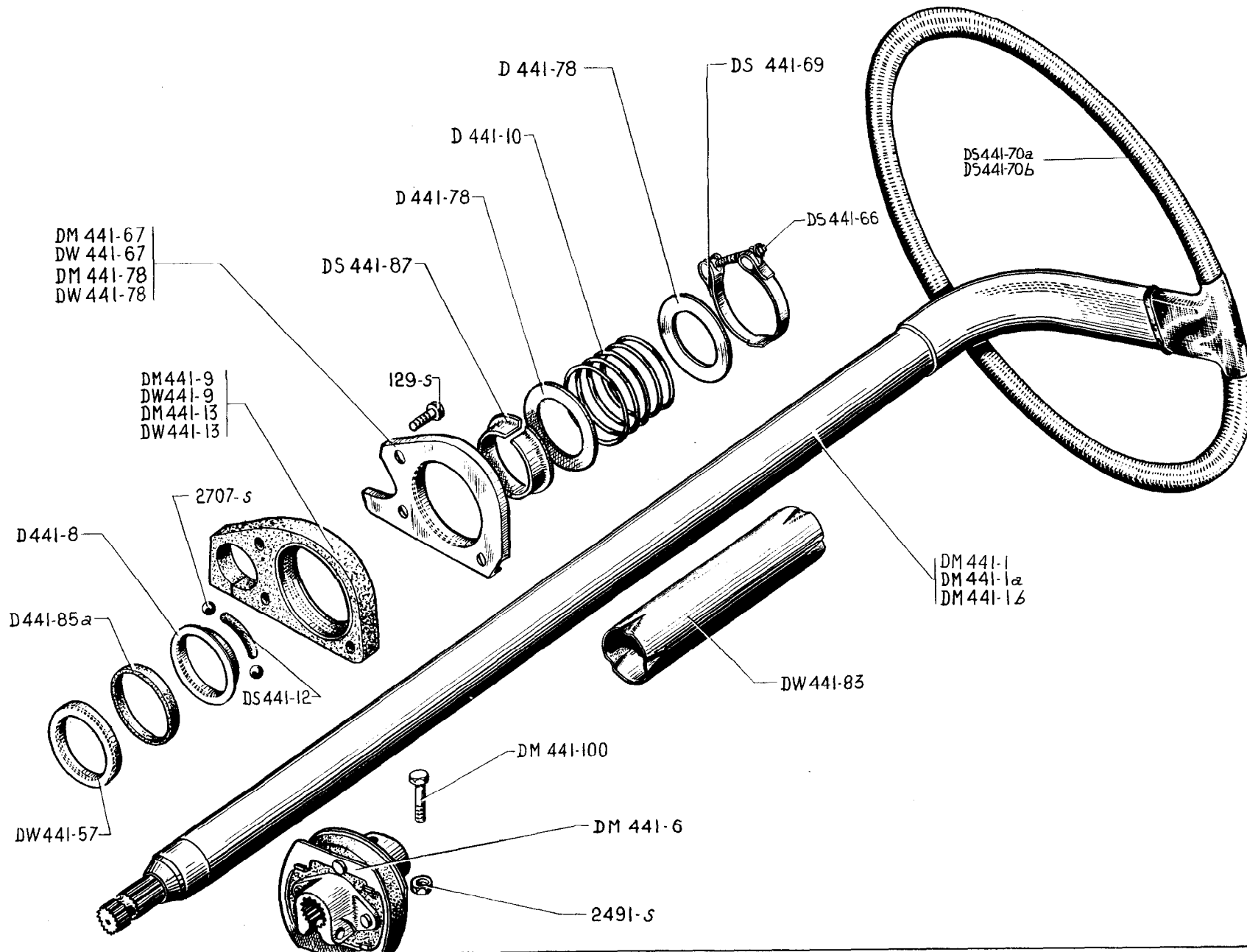


114-REAR AXLE-LINK ARMS-HUBS

| NUMBER | DESCRIPTION | No. OFF | NUMBER | DESCRIPTION | No. OFF | NUMBER | DESCRIPTION | No. OFF |
|------------|--|---------|------------|---|---------|-----------|--|---------|
| D 416-81 | Washer, 21 x 30 x 3, retaining screw securing wheel (R. VI). | 2 | DM 422-01i | <i>Link arm, rear, right-hand, complete with brake (bonded brake shoe lining), ball for suspension cylinder 15.875 mm diameter. Replaces type fitted. November 1957 - May 1960. Order in addition: 1-DS 434-3, 1-4.108-S (R. VI). No longer supplied.</i> | 1 | DS 422-1e | Link arm, only, rear, right-hand, suspension cylinder ball 15.875 mm diameter. Replaces type fitted. Until May 1960. Order in addition: 1-DS 422-98, 1-DS 434-3, 1-4.108-S (R. VI), 1-612.623 (R. VI). | 1 |
| D 416-83 | Cone for locking wheel on hub, threaded 18 diameter x 150 pitch (R. VI). | 2 | DM 422-01r | <i>Link arm, rear, left-hand, complete with brake, marked with 2 yellow lines. Cabriolet. Until June 1961. No longer supplied.</i> | 1 | D 422-2 | Nut, hex., 30 diameter x 150 pitch, with cup for swivel shaft rear link arm. | 2 |
| D 416-88 | Screw for locking wheel on hub, threaded 18 diameter x 150 pitch, length 63 mm. (R. VI). | 2 | DM 422-01s | <i>Link arm, rear, right-hand, complete with brake, marked with 2 yellow lines. Cabriolet. Until June 1961. No longer supplied.</i> | 1 | D 422-6 | Ring nut, 6 notches, 66 diameter x 150 pitch, for securing link arm (inner end). | 2 |
| DS 416-89 | Washer, 23.5 x 44 x 6.4, for screw locking wheel on hub (R. VI). | 2 | DS 422-01f | Link arm, rear, left-hand, complete with brake (power brake arrangement). Since August 1961. | 1 | D 422-8 | Nut, hex, with shoulder, 9 diameter x 125 pitch, securing rear link arm (outer end). | 6 |
| D 416-93 | Spring for cone locking wheel on hub. | 2 | DS 422-01g | Link arm, rear, right-hand, complete with brake (power brake arrangement). Since August 1961. | 1 | D 422-79 | Screw, round head, 9 diameter x 22 long, securing bearing housing for swivel shaft. | 6 |
| DM 422-01 | <i>Link arm, rear, left-hand, complete with brake. Until November 1957. No longer supplied.</i> | 1 | DS 422-01r | Link arm, rear, left-hand, complete with brake (power brake arrangement). Cabriolet. Since June 1961. | 1 | D 422-80b | Cup for sealing ring for swivel shaft bearing housing. | 2 |
| DM 422-01a | Link arm, rear, right-hand, complete with brake. Until November 1957. | 1 | DS 422-01s | Link arm, rear, right-hand, complete with brake (power brake arrangement). Cabriolet. Since June 1961. | 1 | D 422-91 | Rubber sealing joint, (54 x 62 x 4) for swivel bearing housing of rear arm. | 2 |
| DM 422-01f | <i>Link arm, rear, left-hand, complete with brake (ball for suspension cylinder 15.875 mm diameter) new position for flat for anti-roll bar. May 1960 - August 1961. No longer supplied.</i> | 1 | DS 422-1b | Link arm, only, rear, left-hand, (suspension cylinder ball 15.875 mm), new position for flat for anti-roll bar. Since May 1960. | 1 | D 422-95c | Sealing ring, 54 x 72 x 12.5, for swivel shaft bearing housing for rear arm (outer end) (R. VI). | 2 |
| DM 422-01g | <i>Link arm, rear, right-hand, complete with brake (ball for suspension cylinder 15.875 mm diameter), new position for flat for anti-roll bar. May 1960 - August, 1961. No longer supplied.</i> | 1 | DS 422-1c | Link arm, only, rear, right-hand, (suspension cylinder ball 15.875 mm diameter), new position for flat for anti-roll bar. Since May 1960. | 1 | D 422-96 | Bearing housing for rear link arm swivel shaft (66 mm diameter). | 2 |
| DM 422-01h | <i>Link arm, rear, left-hand, complete with brake (bonded brake shoe lining), ball for suspension cylinder 15.875 mm diameter. Replaces type fitted. November 1957 - May 1960. Order in addition: 1-DS 434-3, 1.4.108-S (R. VI). No longer supplied.</i> | 1 | DS 422-1d | Link arm, only, rear, left-hand, (suspension cylinder ball 15.875 mm diameter). Replaces type fitted. Until May 1960. Order in addition: 1-DS 422-98, 1-DS 434-3, 1-4.108-S (R. VI), 1-612.623 (R. VI). | 1 | D 422-98 | Cap for rear stub axle housing, 62 mm diameter. Until May 1960. | 2 |
| | | | | | | DS 422-98 | Cap for rear stub axle housing, 63 mm diameter. Since May 1960. | 2 |
| | | | | | | D 426-3 | Nut, hex., 25 diameter x 150 pitch, securing rear stub axle. | 2 |
| | | | | | | D 426-5 | Stub axle for rear wheel with dowel pin. | 2 |
| | | | | | | D 426-15 | Distance piece, conical, for stub axle bearing, 72.78 mm long. | 2 |
| | | | | | | D 426-89 | Spacing ring for stub axle bearing (drum side), 40.25 x 58 x 10. | 2 |
| | | | | | | D 426-92 | Dowel pin for positioning wheel (R.VI). | 2 |
| | | | | | | D 426-93a | <i>Thrust washer for stub axle bearing (inner end) 25 x 58 x 3.5. Until Nov. 1965. Replaced by DS 426-93.</i> | 2 |
| | | | | | | DS 426-93 | Thrust washer, for stub axle bearing, (inner end) 50 mm across flats x 3 mm thick. Since November 1965. | 2 |
| | | | | | | D 426-99 | Lockwasher, 25 mm diameter for | 2 |

REAR AXLE-LINK ARMS-HUBS-117

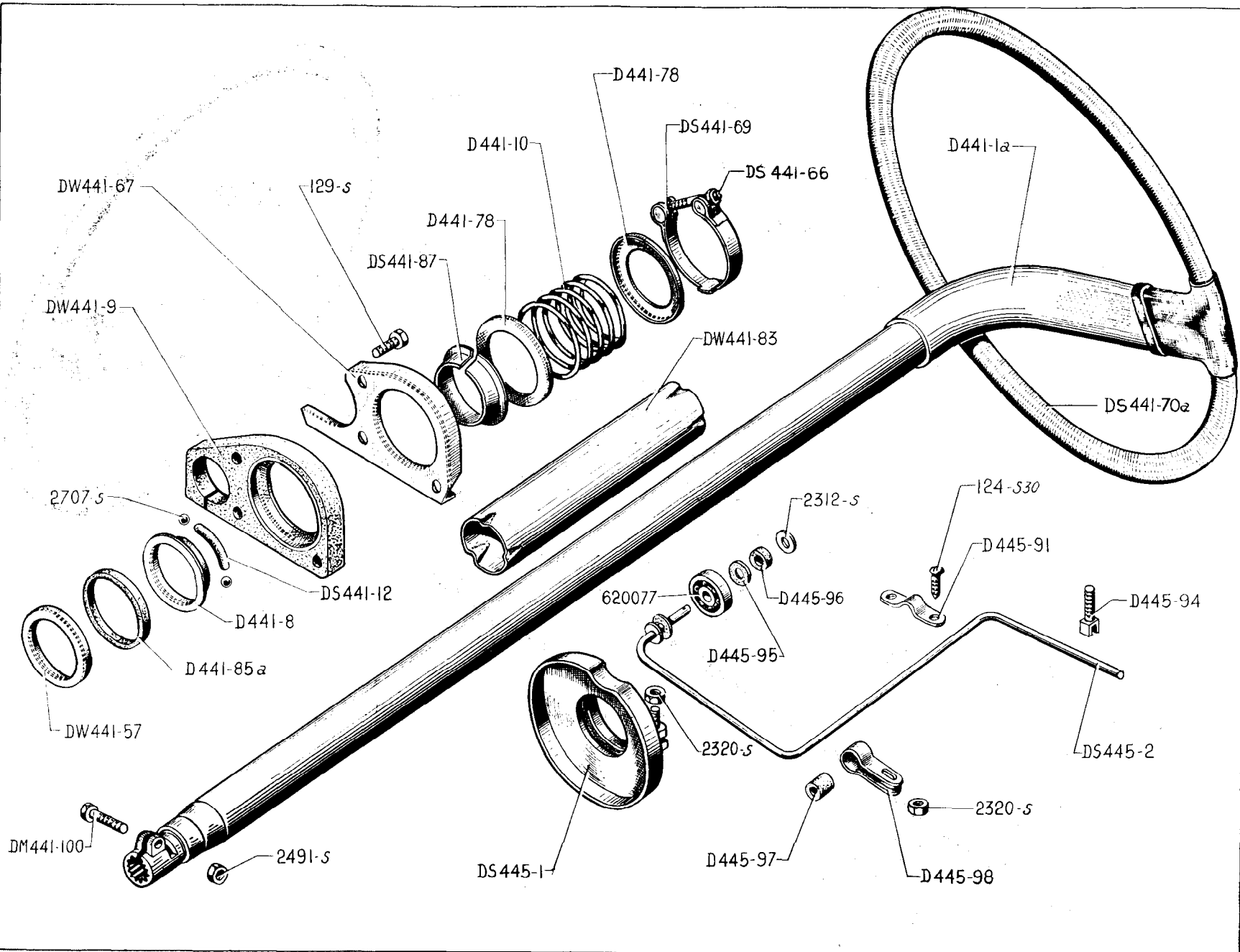
| NUMBER | DESCRIPTION | No. OFF | NUMBER | DESCRIPTION | No. OFF | NUMBER | DESCRIPTION | No. OFF |
|-----------|--|---------|-----------|------------------------|---------|-----------|--|---------|
| | Washer for adjusting bearing on rear stub axle, 25.1 x 31.8 (R. VI). | As nec. | D 426-323 | 2.90 to 2.94 mm thick. | | DS 435-11 | Anti-roll bar, rear length 481 mm, 17 mm diameter. | 1 |
| D 426-300 | 1.98 to 2.02 mm thick. | | D 426-324 | 2.94 to 2.98 mm thick. | | D 437-1 | Rebound rubber buffer, (48.5 mm, height 35 mm). | 4 |
| D 426-301 | 2.02 to 2.06 mm thick. | | D 426-325 | 2.98 to 3.02 mm thick. | | D 451-5a | Brake drum, rear, internal diameter 255 mm. Until November 1957. | 2 |
| D 426-302 | 2.06 to 2.10 mm thick. | | D 426-326 | 3.02 to 3.06 mm thick. | | DS 451-5 | Brake drum, rear, 2 external fins. Since November 1957. | 2 |
| D 426-303 | 2.10 to 2.14 mm thick. | | D 426-327 | 3.06 to 3.10 mm thick. | | 183-S | Screw, raised head, countersunk, 5 diameter x 10 long, securing rear brake drum (R. III). | 4 |
| D 426-304 | 2.14 to 2.18 mm thick. | | D 426-328 | 3.10 to 3.14 mm thick. | | 535-S | Screw, 12 diameter x 55 long, securing coupling clamps on rear torsion bar (R. III). | 8 |
| D 426-305 | 2.18 to 2.22 mm thick. | | D 426-329 | 3.14 to 3.18 mm thick. | | 5.404-S | Nut, hex., 12 diameter x 125 pitch, securing coupling flange for torsion bar (R. III). | 8 |
| D 426-306 | 2.22 to 2.26 mm thick. | | D 426-330 | 3.18 to 3.22 mm thick. | | 431.442 | Coupling flange for rear torsion bar, between centres of holes 29 and 42 (R. II). | 4 |
| D 426-307 | 2.26 to 2.30 mm thick. | | D 426-331 | 3.22 to 3.26 mm thick. | | 612.621 | Oil seal, 58 x 80 x 5, for rear stub axle bearing (R. VI). Until May 1960. | 2 |
| D 426-308 | 2.30 to 2.34 mm thick. | | D 426-332 | 3.26 to 3.30 mm thick. | | 612.623 | Oil seal, 58 x 81.2 x 5, for rear stub axle bearing (R. VI). Since May 1960. | 2 |
| D 426-309 | 2.34 to 2.38 mm thick. | | D 426-333 | 3.30 to 3.34 mm thick. | | 620.051 | Cage with 14 taper rollers on swivel shaft (outer end) (R. VI). | 2 |
| D 426-310 | 2.38 to 2.42 mm thick. | | D 426-334 | 3.34 to 3.38 mm thick. | | 620.053 | Taper roller bearing (without outer race), internal diameter 30 mm for swivel shaft (inner end) (R. VI). | 2 |
| D 426-311 | 2.42 to 2.46 mm thick. | | D 426-335 | 3.38 to 3.42 mm thick. | | 620.070 | Thrust bearing (25 x 62 x 17, for rear stub axle (inner end) (R. II). | 2 |
| D 426-312 | 2.46 to 2.50 mm thick. | | D 426-336 | 3.42 to 3.46 mm thick. | | 620.079 | Thrust bearing (40 x 80 x 18) for rear stub axle (drum side) (R. II). | 2 |
| D 426-313 | 2.50 to 2.54 mm thick. | | D 426-337 | 3.46 to 3.46 mm thick. | | | | |
| D 426-314 | 2.54 to 2.58 mm thick. | | D 426-338 | 3.46 to 3.50 mm thick. | | | | |
| D 426-315 | 2.58 to 2.62 mm thick. | | D 426-339 | 3.50 to 3.54 mm thick. | | | | |
| D 426-316 | 2.62 to 2.66 mm thick. | | D 426-340 | 3.54 to 3.58 mm thick. | | | | |
| D 426-317 | 2.66 to 2.70 mm thick. | | D 426-341 | 3.58 to 3.62 mm thick. | | | | |
| D 426-318 | 2.70 to 2.74 mm thick. | | D 426-342 | 3.62 to 3.66 mm thick. | | | | |
| D 426-319 | 2.74 to 2.78 mm thick. | | | | | | | |
| D 426-320 | 2.78 to 2.82 mm thick. | | | | | | | |
| D 426-321 | 2.82 to 2.86 mm thick. | | | | | | | |
| D 426-322 | 2.86 to 2.90 mm thick. | | | | | | | |



118—STEERING—STEERING WHEEL—BRACKET

| NUMBER | DESCRIPTION | No. OFF | NUMBER | DESCRIPTION | No. OFF | NUMBER | DESCRIPTION | No. OFF |
|------------------|--|---------|------------|--|---------|------------|---|---------|
| DM 441-1 | Steering wheel and column (ivory). Until September 1964. | 1 | DM 441-13 | Outer race of ball-bearing on bracket for steering column and gear change control shaft. Right-hand drive. Until September 1962. | 1 | D 441-78 | Thrust washer for spring on steering shaft bracket, 40.5 x 49. | 2 |
| DM 441-1a | Steering wheel and column (black). Berline with partition. | 1 | | | | DM 441-78 | Locking plate for ball-bearing on bracket for steering column. Right-hand steering. Until September 1962. | 1 |
| DM 441-1b | Steering wheel (black sheath) on shaft. Cabriolet. Until September 1964. | 1 | DW 441-13 | Outer race of ball-bearing on bracket for steering column. Right-hand steering. Since September 1962. | 1 | DW 441-78 | Locking plate for ball-bearing on bracket for steering column. Right-hand steering. Since September 1962. | 1 |
| <u>DM 441-1c</u> | Steering wheel and column (black). Since September 1964. | 1 | DW 441-57 | Cup retaining felt for steering column bracket bearing, external diameter 56.8 mm, 4 mm thick. Since September 1962. | 1 | DW 441-83 | Distance piece between clip and spring retaining steering column, length 410 mm. Since September 1962. | 1 |
| <u>DM 441-1d</u> | Steering wheel and column (black). Cabriolet. Since September 1964. | 1 | DS 441-66 | Screw, 5 x 22, for adjusting clip on spring of steering column bracket (R. VI). | 1 | D 441-85a | Sealing washer, felt, for ball-bearing on steering shaft bracket, 47.5 x 55.5 x 7. | 1 |
| DM 441-6 | Flexible coupling for steering column. | 1 | DM 441-67 | Locking plate for ball-bearing on bracket for steering column. Left-hand steering. Until September 1962. | 1 | DS 441-87 | Split bush, sheet metal, for steering column bracket (39.8 x 48). | 1 |
| D 441-8 | Inner race of ball-bearing on steering column bracket, 43.6 x 55 x 11. | 1 | DW 441-67 | Locking plate for ball-bearing on bracket for steering column. Left-hand steering. Since September 1962. | 1 | DM 441-100 | Screw, hex. head, 7 diameter x 35 long, securing end piece of steering column. | 2 |
| DM 441-9 | Outer race of ball-bearing on bracket for steering column and gear change control shaft. Left-hand steering. Until September 1962. | 1 | DS 441-69 | Clip for adjusting thrust spring on steering column bracket, internal diameter 40 mm. | 1 | 129-S | Screw, round head, 5 diameter x 25 long, securing locking plate for ball-bearing on bracket (R. III). | 3 |
| DW 441-9 | Outer race of ball-bearing on bracket for steering column. Left-hand steering. Since September 1962. | 1 | DS 441-70a | Binding for covering steering wheel rim (ivory), 12.5 mm wide (sold by the metre) (8 metres per wheel) (R. VI). | As nec. | 2.491-S | Nut, hex., 7 diameter x 100 pitch, locking end piece on steering column (R. III). | 2 |
| D 441-10 | Thrust spring for inner race ball-bearing on bracket for steering column, internal diameter 41 mm. | 1 | DS 441-70b | Binding for covering steering wheel rim (black), 12.5 mm wide (sold by the metre) (8 metres per wheel) (R. VI). | As nec. | 2.707-S | Ball, 6 mm diameter for ball-bearing on steering column bracket (R. VI). | 9 |
| DS 441-12 | Segment, nylon, for spacing balls of bearing on bracket for steering column, 5.5 mm diameter (R. VI). | 3 | | | | | | |

120—ASSISTED STEERING—STEERING WHEEL—BRACKET



ASSISTED STEERING—STEERING WHEEL—BRACKET—121

| NUMBER | DESCRIPTION | No. OFF | NUMBER | DESCRIPTION | No. OFF | NUMBER | DESCRIPTION | No. OFF |
|------------------|--|---------|------------------|---|---------|----------|--|---------|
| D 441-1a | Steering wheel and column (ivory). Until September 1964. | 1 | DS 441-70a | Binding for covering steering wheel rim (ivory), 22.5 mm wide (sold by the metre) (8 metres per wheel) (R. VI). | As nec. | D 445-91 | Clip securing spring locating centring position. | 1 |
| <u>DW 441-1</u> | Steering wheel and column (black). Since September 1964. | 1 | D 441-78 | Thrust washer for spring on steering column bracket, 40.5 x 49. | 2 | D 445-94 | Screw, square head, 5 x 22, for adjusting tension of spring locating centring position. | 1 |
| D 441-8 | Inner race of ball bearing on steering column bracket. | 1 | <u>DW 441-78</u> | Locking plate for ball-bearing on bracket for steering column. R.H. steering. | 1 | D 445-95 | Washer for ball-bearing on centring device, 5 x 17 x 0.5 (R. VI). | 2 |
| DW 441-9 | Outer race of ball bearing for steering column bracket. L.H. steering. | 1 | DW 441-83 | Distance piece between clip and spring retaining steering column, 410 mm long. | 1 | D 445-96 | Washer, rubber, for ball-bearing on steering centring device, 5 x 10 x 2. | 1 |
| D 441-10 | Thrust spring for ball bearing race of steering column bracket, internal diameter 41 mm. | 1 | D 441-85a | Sealing washer, felt, for ball-bearing on steering shaft bracket, 47.5 x 55.5 x 7. | 1 | D 445-97 | Bush, rubber, for bearing on centring device, 5 x 12 x 16. | 1 |
| DS 441-12 | Segment, nylon, for spacing balls of bearing on bracket for steering column. 5, 5 mm diameter (R. VI). | 3 | DS 441-87 | Split bush, sheet metal, for steering column bracket (39.8 x 48). | 1 | D 445-98 | Support for rubber bush for bearing on centring device, 12 mm wide. | 1 |
| <u>DW 441-13</u> | Outer race for ball bearing for steering column bracket. R.H. steering. | 1 | DM 441-100 | Screw, hex. head, 7 x 35, for securing end piece of steering column. | 1 | 124-S 30 | Screw, round head, 5 x 12.5, for securing clip on centring device (R. III). | 2 |
| DW 441-57 | Cup retaining felt for steering column bracket bearing, external diameter 56.8 mm, 4 mm thick. | 1 | DS 445-1 | Cam for position for running-in a straight line. | 1 | 129-S | Screw, round head, 5 x 25, for securing stop plate on bearing (R. III). | 3 |
| DS 441-66 | Screw, 5 x 22, for adjusting clip on spring of steering column support (R. VI). | 1 | DS 445-2 | Spring for locating centring position. L.H. steering. | 1 | 2.312-S | Washer, flat, 5.5 x 12, for bearing on centring device (R. III). | 2 |
| DW 441-67 | Locking plate for ball bearing on bracket of steering column. L.H. steering. | 1 | DM 445-3 | Spring for locating centring position (R. VI). R.H. steering. | 1 | 2.320-S | Nut, hex., 5 x 75 (R. III): - for support of bearing on centring device. - for centring cam. | 1 1 |
| DS 441-69 | Clip for adjusting spring on steering column bracket, internal diameter 40 mm. | 1 | <u>DS 445-87</u> | Locking ring on steering column, 40 mm diameter. R.H. steering. | 1 | 2.491-S | Nut, hex., 7 x 100, for locking steering column end piece. | 1 |
| | | | | | | 2.707-S | Ball, 6 mm for bearing in steering bracket (R. VI). | 9 |
| | | | | | | 620.077 | Bearing for centring device, 5 x 19 x 6 (R. VI). | 1 |

The numbers underlined indicate new parts which do not appear on the illustration.

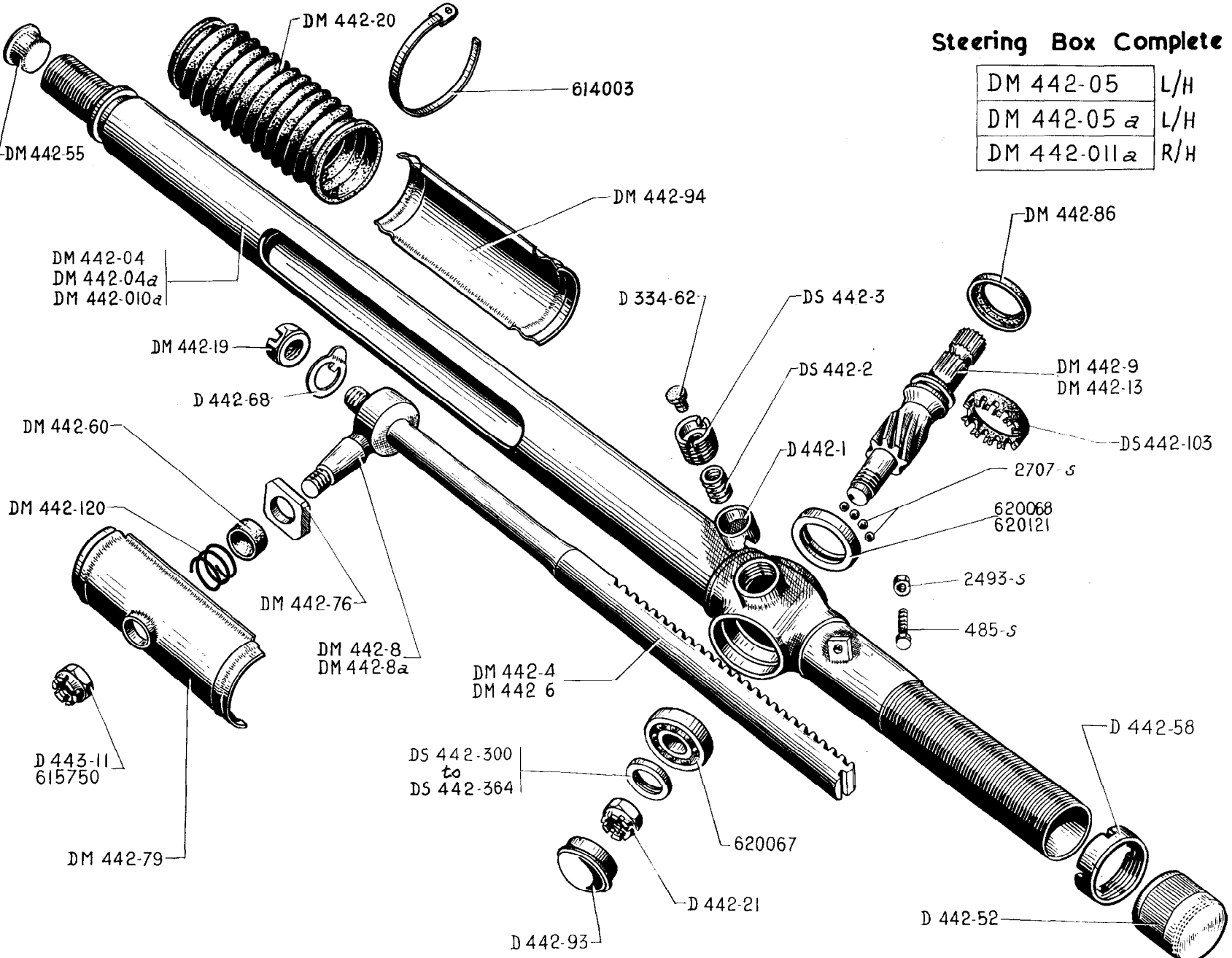
Catalogue No. 470 - October 1964.

122—STEERING—RACK ASSEMBLY

| NUMBER | DESCRIPTION | No. OFF | NUMBER | DESCRIPTION | No. OFF | NUMBER | DESCRIPTION | No. OFF |
|-------------|---|---------|------------|--|---------|------------|--|---------|
| D 334-62 | Dust plug for nut for rack plunger guide. | 1 | DM 442-8a | Pivot pin on rack, without pin hole. Since October 1963. | 1 | | Washer adjusting rack pinion bearing, 12 x 18. | As nec. |
| DM 442-04 | <i>Rack housing. Until November 1958. Replaced by DM 442-04a; order in addition: 1-DM 443-9a, 1-DM 442-95, 1-2.493-S (R. III).</i> | 1 | DM 442-9 | Pinion for rack. Left-hand steering. | 1 | DS 442-300 | 3.35 to 3.37 mm thick. | |
| DM 442-04a | Rack housing (without fixed stop for steering rack). Left-hand steering. Since November 1958. | 1 | DM 442-13 | Pinion for rack. Right-hand steering. | 1 | DS 442-301 | 3.37 to 3.39 mm thick. | |
| DM 442-05 | <i>Steering box complete. Until November 1958. Replaced by DM 442-05a; order in addition: 1-DM 443-9a, 1-DM 442-95, 1-2.493-S (R. III).</i> | 1 | DM 442-19 | Locknut for pivot pin (R. VI). | 1 | DS 442-302 | 3.39 to 3.41 mm thick. | |
| DM 442-05a | Steering box complete (without fixed stop for steering rack). Left-hand steering. Since November 1958. | 1 | DM 442-20 | Dust cover for rack. | 2 | DS 442-303 | 3.41 to 3.43 mm thick. | |
| DM 442-010a | Housing for rack. Right-hand steering. | 1 | D 442-21 | Nut, hex., 12 diameter x 125 pitch, for adjustment of rack pinion (R. VI). | 1 | DS 442-304 | 3.43 to 3.45 mm thick. | |
| DM 442-011a | Steering box complete. Right-hand steering. | 1 | D 442-52 | Thrust cap, adjustable, for rack, threaded 30 diameter x 100 pitch. | 1 | DS 442-305 | 3.45 to 3.47 mm thick. | |
| D 442-1 | Plunger guide for rack, 22 mm diameter. | 1 | DM 442-55 | End cap for housing (R. VI). | 1 | DS 442-306 | 3.47 to 3.49 mm thick. | |
| DS 442-2 | Spring for rack plunger guide, external diameters 16.75 mm. | 1 | D 442-58 | Nut, 30 diameter x 100 pitch, locking adjustable thrust cap for rack. | 1 | DS 442-307 | 3.49 to 3.51 mm thick. | |
| DS 442-3 | Plunger nut for rack, external thread 24 x 150, internal thread 9 x 125. | 1 | DM 442-60 | Sealing ring, rubber, for pivot pin on rack. | 1 | DS 442-308 | 3.51 to 3.53 mm thick. | |
| DM 442-4 | Steering rack. Left-hand steering. | 1 | D 442-68 | Lockwasher, 14.2 mm diameter, locking pivot pin on rack (R. VI). | 1 | DS 442-309 | 3.53 to 3.55 mm thick. | |
| DM 442-6 | Steering rack. Right-hand steering. | 1 | DM 442-76 | Guide block for rack. | 1 | DS 442-310 | 3.55 to 3.57 mm thick. | |
| DM 442-8 | <i>Pivot pin on rack. Until October 1963. Replaced by DM 442-8a; order in addition: 1-615.750 (R. VI).</i> | 1 | DM 442-79 | Movable cover plate, upper, for rack. | 1 | DS 442-311 | 3.57 to 3.59 mm thick. | |
| | | | DM 442-86 | Sealing ring for pinion. | 1 | DS 442-312 | 3.59 to 3.61 mm thick. | |
| | | | D 442-93 | Cap, sheet metal, for rack pinion housing, 34.05 mm diameter. | 1 | DS 442-313 | 3.61 to 3.63 mm thick. | |
| | | | DM 442-94 | Movable cover plate, lower, for rack. | 1 | DS 442-314 | 3.63 to 3.65 mm thick. | |
| | | | DS 442-103 | Ball cage, nylon, on outer bush of upper bearing of rack pinion (R. VI). Since September 1963. | 1 | DS 442-315 | 3.65 to 3.67 mm thick. | |
| | | | DM 442-120 | Pivot pin thrust spring. | 1 | DS 442-316 | 3.67 to 3.69 mm thick. | |
| | | | | | | DS 442-317 | 3.69 to 3.71 mm thick. | |
| | | | | | | DS 442-318 | 3.71 to 3.73 mm thick. | |
| | | | | | | DS 442-319 | 3.73 to 3.75 mm thick. | |
| | | | | | | DS 442-320 | 3.75 to 3.77 mm thick. | |
| | | | | | | DS 442-321 | 3.77 to 3.79 mm thick. | |
| | | | | | | DS 442-322 | 3.79 to 3.81 mm thick. | |
| | | | | | | DS 442-323 | 3.81 to 3.83 mm thick. | |
| | | | | | | DS 442-324 | 3.83 to 3.85 mm thick. | |
| | | | | | | DS 442-325 | 3.85 to 3.87 mm thick. | |
| | | | | | | DS 442-326 | 3.87 to 3.89 mm thick. | |
| | | | | | | DS 442-327 | 3.89 to 3.91 mm thick. | |
| | | | | | | DS 442-328 | 3.91 to 3.93 mm thick. | |
| | | | | | | DS 442-329 | 3.93 to 3.95 mm thick. | |
| | | | | | | DS 442-330 | 3.95 to 3.97 mm thick. | |
| | | | | | | DS 442-331 | 3.97 to 3.99 mm thick. | |
| | | | | | | DS 442-332 | 3.99 to 4.01 mm thick. | |
| | | | | | | DS 442-333 | 4.01 to 4.03 mm thick. | |
| | | | | | | DS 442-334 | 4.03 to 4.05 mm thick. | |
| | | | | | | DS 442-335 | 4.05 to 4.07 mm thick. | |

Steering Box Complete

| | |
|---------------------|-----|
| DM 442-05 | L/H |
| DM 442-05 <i>a</i> | L/H |
| DM 442-011 <i>a</i> | R/H |

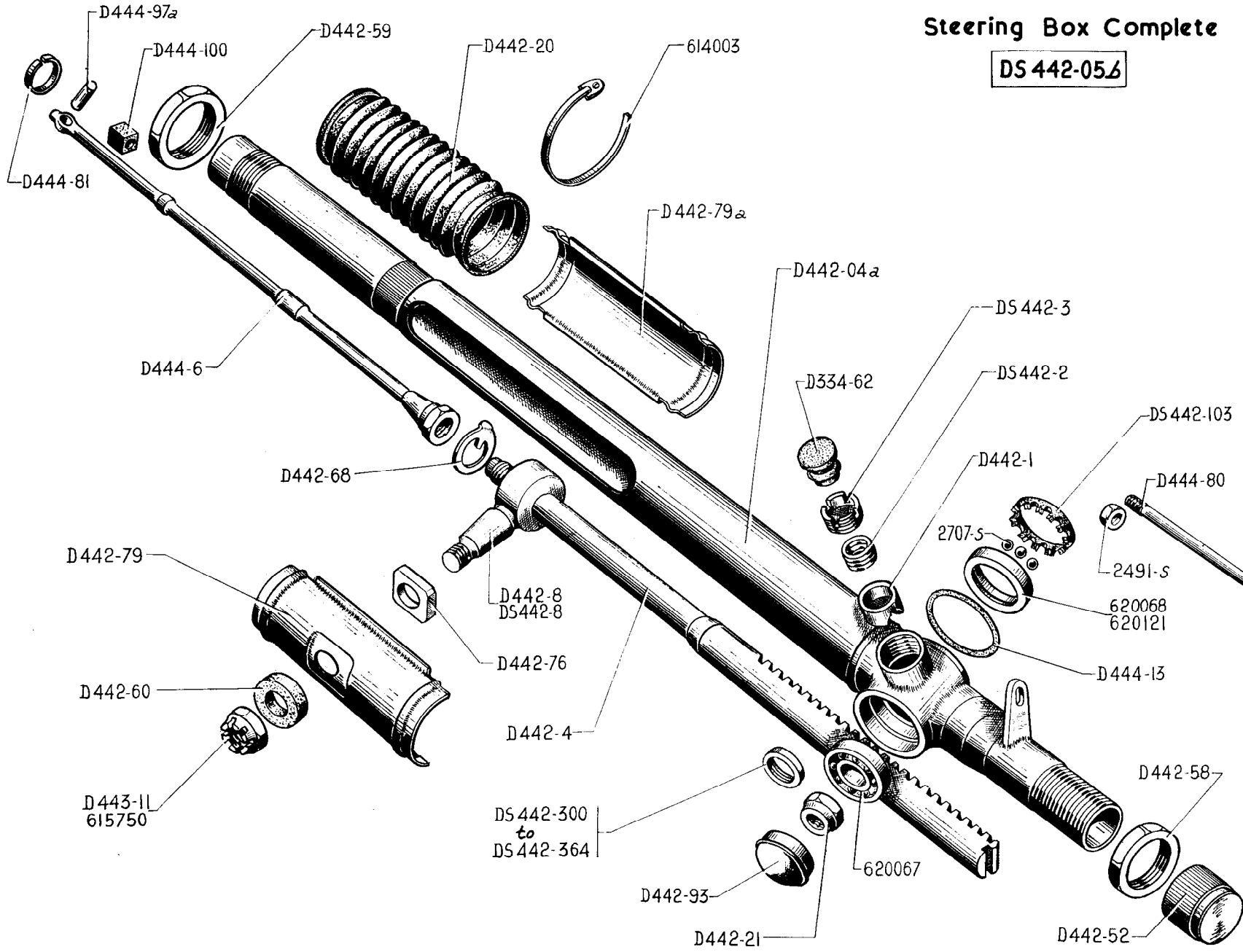


STEERING-RACK ASSEMBLY-125

| NUMBER | DESCRIPTION | No. OFF | NUMBER | DESCRIPTION | No. OFF | NUMBER | DESCRIPTION | No. OFF |
|------------|------------------------|---------|------------|--|---------|---------|---|---------|
| DS 442-336 | 4.07 to 4.09 mm thick. | | DS 442-355 | 4.45 to 4.47 mm thick. | | 2.707-S | Ball, 6 mm diameter for upper rack bearing (R. VI). Until September 1963. | 13 |
| DS 442-337 | 4.09 to 4.11 mm thick. | | DS 442-356 | 4.47 to 4.49 mm thick. | | | Since September 1963. | 10 |
| DS 442-338 | 4.11 to 4.13 mm thick. | | DS 442-357 | 4.49 to 4.51 mm thick. | | 614.003 | Clip securing rack dust cover, 335 mm long (R. VI). | 4 |
| DS 442-339 | 4.13 to 4.15 mm thick. | | DS 442-358 | 4.51 to 4.53 mm thick. | | 615.750 | Nut, "Nylstop", 12 x 150, 9.3 mm high for pivot pin (R. VI). Since October 1963. | 1 |
| DS 442-340 | 4.15 to 4.17 mm thick. | | DS 442-359 | 4.53 to 4.55 mm thick. | | 620.067 | Bearing, lower, for rack pinion, 12 x 32 x 10 (R. VI). | 1 |
| DS 442-341 | 4.17 to 4.19 mm thick. | | DS 442-360 | 4.55 to 4.57 mm thick. | | 620.068 | <i>Race, outer, for rack pinion upper bearing, 27.4 x 35 x 7.5 (R. II). Until September 1963. Replaced by 620.121; order in addition: 1-DS 442-103 (R. VI).</i> | 1 |
| DS 442-342 | 4.19 to 4.21 mm thick. | | DS 442-361 | 4.57 to 4.59 mm thick. | | 620.121 | <i>Race, outer, for rack pinion upper bearing, 29 x 35 x 7.5 (R. II). Since September 1963.</i> | 1 |
| DS 442-343 | 4.21 to 4.23 mm thick. | | DS 442-362 | 4.59 to 4.61 mm thick. | | | | |
| DS 442-344 | 4.23 to 4.25 mm thick. | | DS 442-363 | 4.61 to 4.63 mm thick. | | | | |
| DS 442-345 | 4.25 to 4.27 mm thick. | | DS 442-364 | 4.63 to 4.65 mm thick. | | | | |
| DS 442-346 | 4.27 to 4.29 mm thick. | | D 443-11 | Nut, hex., castellated, 12 diameter x 150 pitch, for rack ball pins. Until October 1963. | 1 | | | |
| DS 442-347 | 4.29 to 4.31 mm thick. | | | | | | | |
| DS 442-348 | 4.31 to 4.33 mm thick. | | 485-S | Screw, hex. head, 7 diameter x 20 long, for steering lock adjustment (R. III). Until November 1958. | 1 | | | |
| DS 442-349 | 4.33 to 4.35 mm thick. | | | | | | | |
| DS 442-350 | 4.35 to 4.37 mm thick. | | 2.493-S | Nut, hex., 7 diameter x 100 pitch, for steering lock adjustment screw (R. III). Until November 1958. | 1 | | | |
| DS 442-351 | 4.37 to 4.39 mm thick. | | | | | | | |
| DS 442-352 | 4.39 to 4.41 mm thick. | | | | | | | |
| DS 442-353 | 4.41 to 4.43 mm thick. | | | | | | | |
| DS 442-354 | 4.43 to 4.45 mm thick. | | | | | | | |

Steering Box Complete

DS 442-056



126—ASSISTED STEERING (MECHANICAL PART)

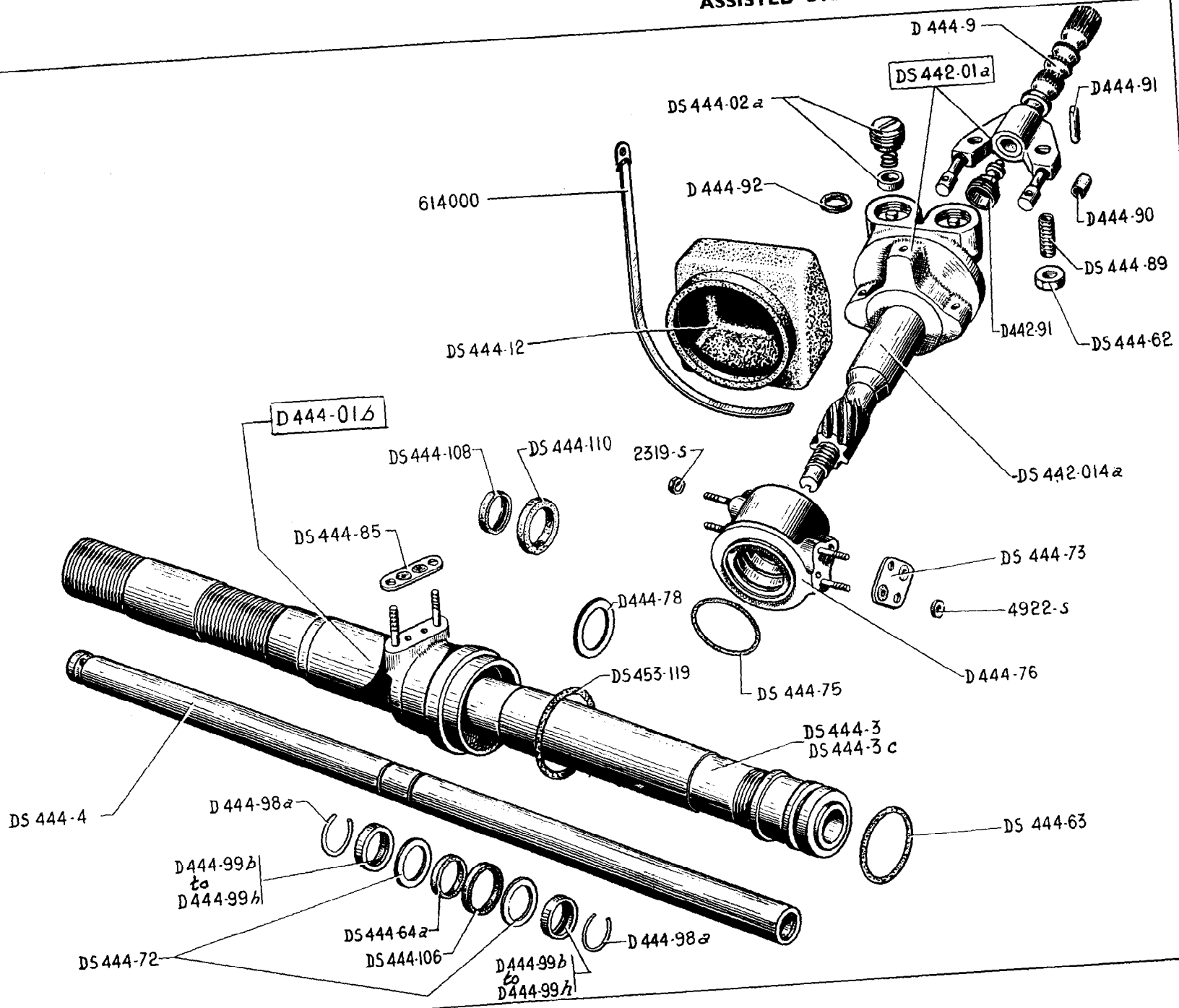
| NUMBER | DESCRIPTION | No. OFF | NUMBER | DESCRIPTION | No. OFF | NUMBER | DESCRIPTION | No. OFF |
|--------------------|--|---------|------------|---|---------|------------|------------------------|---------|
| D 334-62 | Dust cover, rubber, for steering rack plunger guide nut. | 1 | D 442-68 | Lockwasher, 14.2 locking rack ball pin (R. VI). | 1 | DS 442-319 | 3.73 to 3.75 mm thick. | |
| D 442-04a | Rack housing, 822 mm long (without fixed stop for steering lock). | 1 | D 442-76 | Guide block for rack, 16.5 x 23 x 28 x 5. | 1 | DS 442-320 | 3.75 to 3.77 mm thick. | |
| DS 442-05b | Steering box complete. L.H. steering. | 1 | D 442-79 | Upper slide on rack housing, 145 mm long, 1 hole 18 mm diameter. | 1 | DS 442-321 | 3.77 to 3.79 mm thick. | |
| <u>D 442-010a</u> | Rack housing, 822 mm long (without fixed stop for steering lock). R.H. steering. | 1 | D 442-79a | Lower slide on rack housing, 145 mm long. | 1 | DS 442-322 | 3.79 to 3.81 mm thick. | |
| <u>DS 442-011c</u> | Steering box complete. R.H. steering. | 1 | D 442-93 | Cap, sheel metal, on rack housing, 34.05 mm diameter. | 1 | DS 442-323 | 3.81 to 3.83 mm thick. | |
| D 442-1 | Plunger guide for rack, 22 mm diameter. | 1 | DS 442-103 | Ball race, nylon, of outer bush on upper bearing for rack pinion (R. VI). Since September 1963. | 1 | DS 442-324 | 3.83 to 3.85 mm thick. | |
| DS 442-2 | Spring for rack plunger guide, external diameter 16.5 mm. | 1 | | Washer for adjustment of rack pinion bearing, 12 x 18. | As nec. | DS 442-325 | 3.85 to 3.87 mm thick. | |
| DS 442-3 | Nut, for rack plunger guide, external thread 24 diameter x 150 pitch, internal thread 9 diameter x 125 pitch. | 1 | DS 442-300 | 3.35 to 3.37 mm thick. | | DS 442-326 | 3.87 to 3.89 mm thick. | |
| D 442-4 | Steering rack, 435 mm long, threaded 14 diameter x 150 pitch. L.H. steering. | 1 | DS 442-301 | 3.37 to 3.39 mm thick. | | DS 442-327 | 3.89 to 3.91 mm thick. | |
| <u>D 442-6</u> | Steering rack, 435 mm long, threaded 14 x 150. R.H. steering. | 1 | DS 442-302 | 3.39 to 3.41 mm thick. | | DS 442-328 | 3.91 to 3.93 mm thick. | |
| D 442-8 | <i>Ball pin rack, threaded 12 x 150. Until October 1963. Replaced by DS 442-8; order in addition: I-615.750 (R. VI).</i> | 1 | DS 442-303 | 3.41 to 3.43 mm thick. | | DS 442-329 | 3.93 to 3.95 mm thick. | |
| DS 442-8 | Ball pin rack, threaded 12 x 150, without pin hole. Since October 1963. | 1 | DS 442-304 | 3.43 to 3.45 mm thick. | | DS 442-330 | 3.95 to 3.97 mm thick. | |
| D 442-20 | Dust cover for rack, internal diameter 40 mm. | 2 | DS 442-305 | 3.45 to 3.47 mm thick. | | DS 442-331 | 3.97 to 3.99 mm thick. | |
| D 442-21 | Nut, hex., 12 diameter x 125 pitch, for rack pinion (R. VI). | 1 | DS 442-306 | 3.47 to 3.49 mm thick. | | DS 442-332 | 3.99 to 4.01 mm thick. | |
| D 442-52 | Thrust cap, adjustable, for rack, threaded 30 diameter x 100 pitch. | 2 | DS 442-307 | 3.49 to 3.51 mm thick. | | DS 442-333 | 4.01 to 4.03 mm thick. | |
| D 442-58 | Nut, 30 diameter x 100 pitch, locking adjustable thrust cap for rack. | 1 | DS 442-308 | 3.51 to 3.53 mm thick. | | DS 442-334 | 4.03 to 4.05 mm thick. | |
| D 442-59 | Locknut, 40 diameter x 100 pitch, locking end piece for rack housing. | 1 | DS 442-309 | 3.53 to 3.55 mm thick. | | DS 442-335 | 4.05 to 4.07 mm thick. | |
| D 442-60 | Sealing washer, rubber, for rack ball pin, 16.5 x 28.5 x 9. | 1 | DS 442-310 | 3.55 to 3.57 mm thick. | | DS 442-336 | 4.07 to 4.09 mm thick. | |
| | | | DS 442-311 | 3.57 to 3.59 mm thick. | | DS 442-337 | 4.09 to 4.11 mm thick. | |
| | | | DS 442-312 | 3.59 to 3.61 mm thick. | | DS 442-338 | 4.11 to 4.13 mm thick. | |
| | | | DS 442-313 | 3.61 to 3.63 mm thick. | | DS 442-339 | 4.13 to 4.15 mm thick. | |
| | | | DS 442-314 | 3.63 to 3.65 mm thick. | | DS 442-340 | 4.15 to 4.17 mm thick. | |
| | | | DS 442-315 | 3.65 to 3.67 mm thick. | | DS 442-341 | 4.17 to 4.19 mm thick. | |
| | | | DS 442-316 | 3.67 to 3.69 mm thick. | | DS 442-342 | 4.19 to 4.21 mm thick. | |
| | | | DS 442-317 | 3.69 to 3.71 mm thick. | | | | |
| | | | DS 442-318 | 3.71 to 3.73 mm thick. | | | | |

ASSISTED STEERING (MECHANICAL PART)-129

| NUMBER | DESCRIPTION | No. OFF | NUMBER | DESCRIPTION | No. OFF | NUMBER | DESCRIPTION | No. OFF |
|------------|------------------------|---------|------------------|--|---------|---------|--|----------|
| DS 442-343 | 4.21 to 4.23 mm thick. | | DS 442-362 | 4.59 to 4.61 mm thick. | | 2.491-S | Nut, hex., 7 diameter x 100 pitch, on stop rod for pinion housing (R. III). | 1 |
| DS 442-344 | 4.23 to 4.25 mm thick. | | DS 442-363 | 4.61 to 4.63 mm thick. | | 2.707-S | Ball 6 mm diameter for upper ball bearing on steering pinion (R. VI). Until September 1963. Since September 1963. | 13 10 |
| DS 442-345 | 4.25 to 4.27 mm thick. | | DS 442-364 | 4.63 to 4.65 mm thick. | | 614.003 | Clip securing rack dust cover, length 335 mm (R. VI). | 4 |
| DS 442-346 | 4.27 to 4.29 mm thick. | | D 443-11 | Nut, hex., castellated, 12 diameter x 150 pitch, for pivot pin on rack. Until October 1963. | 1 | 615.750 | Nut "Nylstop", 12 x 150 x 9.3 mm high for pivot pin (R. VI). Since September 1963. | 1 |
| DS 442-347 | 4.29 to 4.31 mm thick. | | D 444-6 | Rod, controlling rack, threaded 14 diameter x 150 pitch, length 460 mm. | 1 | 620.067 | Bearing, lower, for rack pinion, 12 x 32 x 10 (R. VI). | 1 |
| DS 442-348 | 4.31 to 4.33 mm thick. | | D 444-13 | Sealing joint, rubber, between rotating union and steering housing, 37 x 47.6 x 5.3. | 1 | 620.068 | <i>Outer race for upper bearing of rack pinion, 27.4 x 35 x 7.5 (R. II). Until September 1963. Replaced by 620.121; order in addition: 1-DS 442-103 (R. VI).</i> | 1 |
| DS 442-349 | 4.33 to 4.35 mm thick. | | <u>DS 444-58</u> | Stop rod with rotating sleeve union, threaded 7 x 100, 103 mm long. R.H. steering. | 1 | 620.121 | Race, outer, for rack pinion upper bearing, 29 x 35 x 7.5 (R. II). Since September 1963. | 1 |
| DS 442-350 | 4.35 to 4.37 mm thick. | | D 444-80 | Stop rod, for rotating union, threaded 7 diameter x 100 pitch, length 105.5 mm. L.H. steering. | 1 | | | |
| DS 442-351 | 4.37 to 4.39 mm thick. | | D 444-81 | Split ring, locking connecting pin actuating rack and piston, internal diameter 19.5 mm. | 1 | | | |
| DS 442-352 | 4.39 to 4.41 mm thick. | | D 444-97a | Connecting pin, for rod operating rack and piston, 6 x 19.5. | 1 | | | |
| DS 442-353 | 4.41 to 4.43 mm thick. | | D 444-100 | Bush, rubber, anti-rattle, on rod operating rack, 15 mm long. | 1 | | | |
| DS 442-354 | 4.43 to 4.45 mm thick. | | | | | | | |
| DS 442-355 | 4.45 to 4.47 mm thick. | | | | | | | |
| DS 442-356 | 4.47 to 4.49 mm thick. | | | | | | | |
| DS 442-357 | 4.49 to 4.51 mm thick. | | | | | | | |
| DS 442-358 | 4.51 to 4.53 mm thick. | | | | | | | |
| DS 442-359 | 4.53 to 4.55 mm thick. | | | | | | | |
| DS 442-360 | 4.55 to 4.57 mm thick. | | | | | | | |
| DS 442-361 | 4.57 to 4.59 mm thick. | | | | | | | |

The numbers underlined indicate new parts which do not appear on the illustration.

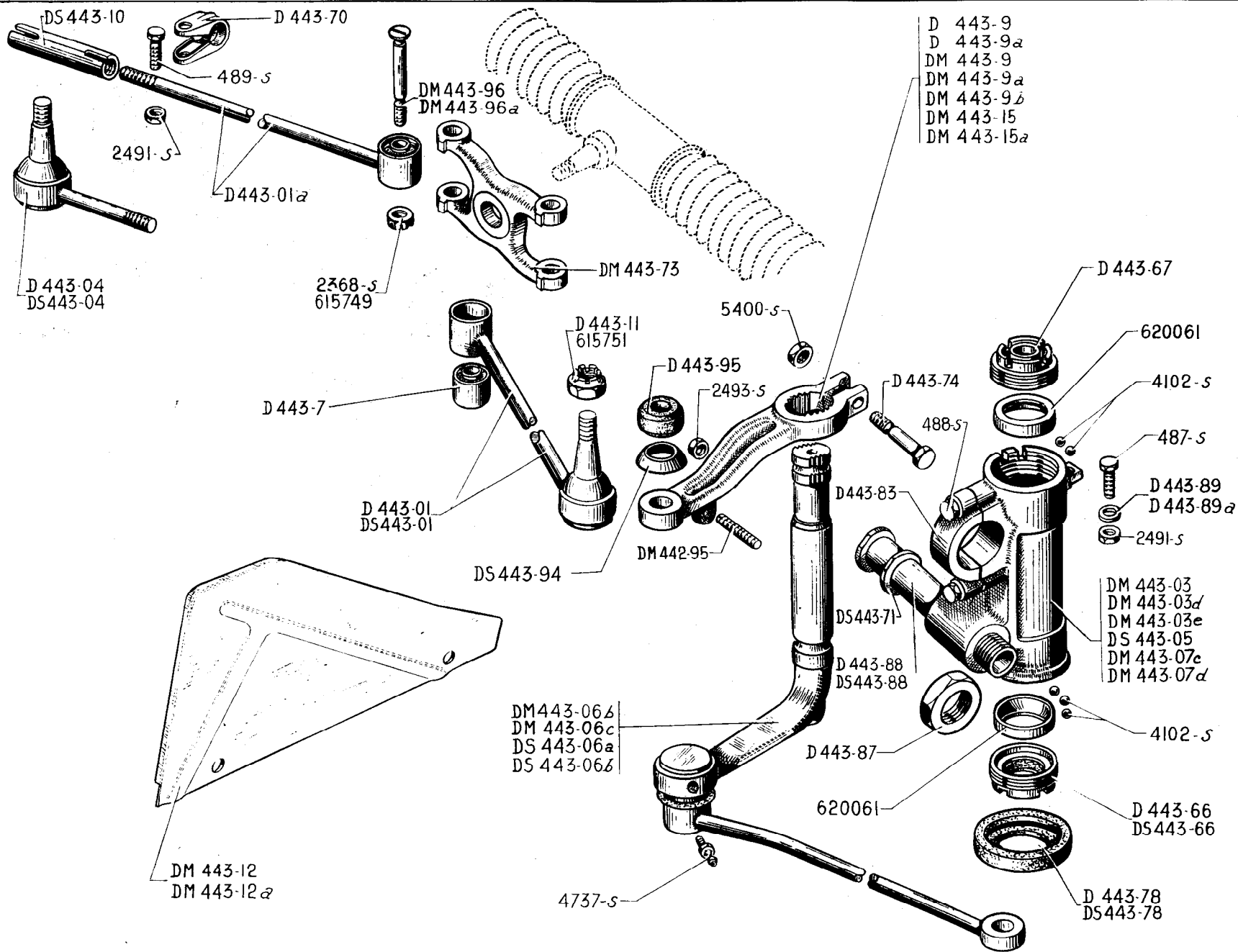
ASSISTED STEERING (HYDRAULIC PART)—131



130—ASSISTED STEERING (HYDRAULIC PART)

| NUMBER | DESCRIPTION | No. OFF | NUMBER | DESCRIPTION | No. OFF | NUMBER | DESCRIPTION | No. OFF |
|--------------------|--|---------|-----------------|--|---------|------------|---|---------|
| DS 442-01a | Pinion operating rack complete with rotating union and coupling fork. L.H. steering. | 1 | DS 444-63 | <i>Ring seal, 27.7 x 33.1 x 2.7 for rack control (R. VI). Until December 1963. Since December 1963. Replaced by 4.877-S.</i> | 1 2 | D 444-92 | <i>Sealing joint between cap and cylinder of rotating union, 22 x 3.5. Replaced by DX 444-92.</i> | 2 |
| <u>DS 442-02a</u> | Pinion for operating rack, complete with rotating union and coupling fork. R.H. steering. | 1 | DS 444-64a | Joint, rubber, 20.9 x 24.2 x 2.2, for rod controlling rack piston. | 1 | D 444-98a | Circlip retaining piston joint washers, wire 1 mm diameter. | 2 |
| <u>DS 442-013a</u> | Rack pinion with valves and dashpot DS 444-02a. R.H. steering. | 1 | <u>D 444-69</u> | Rotating union only. R.H. steering. | 1 | | Shouldered washer retaining piston joint, 21 x 22.05 x 24.8 on diameter 21 : | As nec. |
| DS 442-014a | Rack pinion with valves and dashpot DS 444-02a. L.H. steering. | 1 | DS 444-72 | Washer, Rilsan, for rack piston, 21 x 25.3 x 1. | 2 | D 444-99b | 1.30 to 1.38 mm thick. | |
| D 442-91 | Spherical end piece for rack pinion, threaded 20 diameter x 125 pitch. | 1 | DS 444-73 | Seal plate for joint on rotating union, 2 holes 7.6 diameter, 2 fixing holes 16 mm between centres (R. VI). | 2 | D 444-99c | 1.38 to 1.46 mm thick. | |
| D 444-01b | Control unit for rack complete with end piece of casing, cylinder and piston, threaded 30 diameter x 100 pitch on 31 mm. | 1 | DS 444-75 | Ring seal for rotating union, 24.5 x 29.9 x 2.7 (R. VI). | 5 | D 444-99d | 1.46 to 1.54 mm thick. | |
| DS 444-02a | Cap for dashpot with spring and thrust washer for valve, 18.5 mm long. | 2 | D 444-76 | Rotating union only. L.H. steering. | 1 | D 444-99e | 1.54 to 1.62 mm thick. | |
| DS 444-3 | Rack operating cylinder with end piece. Until December 1963. | 1 | D 444-78 | Sealing washer, 22 x 29.5 x 1, for rack control (R. VI). Until December 1963. | 1 | D 444-99f | 1.62 to 1.70 mm thick. | |
| DS 444-3c | Cylinder for rack operating, with end piece. Since December 1963. | 1 | DS 444-85 | Seal plate for joint on end of casing, 2 holes 7.6 diameter, 2 fixing holes 30 mm between centres (R. VI). | 1 | D 444-99g | 1.70 to 1.78 mm thick. | |
| DS 444-4 | Rack operating piston rod. | 1 | DS 444-89 | Screw, 7 diameter x 100 pitch, for adjusting valves of rotating union, 18.5 mm long. | 2 | D 444-99h | 1.78 to 1.86 mm thick. | |
| D 444-9 | Coupling fork for rack pinion. | 1 | | | | DS 444-106 | Joint, Teflon, 24.2 x 25.7 x 2.3, for rack piston control rod (R. VI). | 1 |
| DS 444-12 | Cover, rubber, protecting steering pinion. | 1 | | | | DS 444-108 | Joint, Teflon, for piston rod, 20.6 x 22 x 4.4 (R. VI). | 2 |
| DS 444-62 | Nut, hex., 7 diameter x 100 pitch, with chamfer for valve adjusting screw of rotating union. | 2 | D 444-90 | Rubber bush for rotating union, 8.8 x 11.5 x 9. | 2 | DS 444-110 | Joint, rubber, for piston, 22 x 27.65 x 4 (R. VI). | 2 |
| | | | D 444-91 | Needle, 2.5 x 14.75, operating steering slide valve (R. VI). | 2 | DS 453-119 | <i>Ring seal, 37 x 44 x 3.5, for rack control. Replaced by 4.878-S.</i> | 1 |
| | | | | | | <u>707</u> | Packet of gaskets for rack control pinion. | 1 |
| | | | | | | 2.319-S | Nut, hex., 5 diameter x 75 pitch, securing piping on rotating union (R. III). | 4 |
| | | | | | | 4.922-S | Ring seal, 4.2 x 8 x 1.9, for seal plates (R. VI). | 6 |
| | | | | | | 614.000 | Clip securing protection sheath for rack control pinion, 474 mm long (R. VI). | 1 |

132—STEERING—RELAY HOUSINGS—STEERING RODS—LEVERS



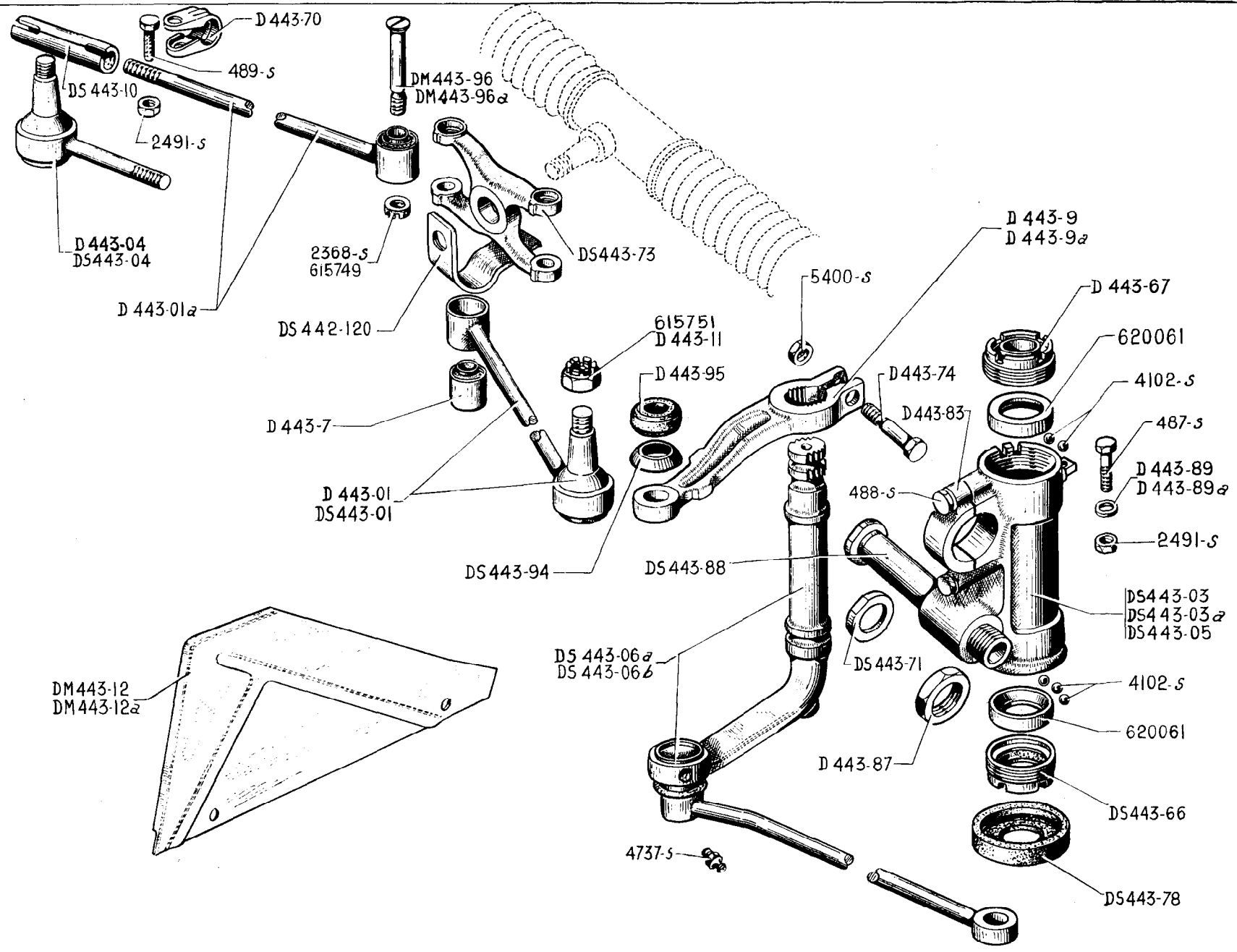
STEERING—RELAY HOUSINGS—STEERING RODS—LEVERS—133

| NUMBER | DESCRIPTION | No. OFF | NUMBER | DESCRIPTION | No. OFF | NUMBER | DESCRIPTION | No. OFF |
|------------|--|---------|-------------------|---|---------|------------|--|---------|
| DM 442-95 | Screw, 7 x 100 x 30 mm long, for steering lock. Since November 1958. | 1 | DS 443-04 | <i>End piece with ball pin without pin hole, right-hand for steering rod, threaded 14 x 125 left-hand pitch. Since October 1963. Replaced by DX 443-04; order in addition: 1-DX 443-95a, 1-615.902.</i> | 1 | DM 443-9 | <i>Lever, upper, left-hand, for steering relay. L.H. steering. Until November 1958. Replaced by DM 443-9a; order in addition: 1-DM 442-95, 1-2.493-S (R. III).</i> | 1 |
| D 443-01 | <i>Steering rod, left-hand, with flexible bush and ball pin, 402 mm between centres. Until October 1963. Replaced by DS 443-01; order in addition: 1-615.751 (R. VI).</i> | 1 | DS 443-05 | <i>Relay housing for steering with cap and bushing. Shoulder 53 mm diameter. Until June 1965. Replaced by DS 443-05a.</i> | 2 | DM 443-9a | Lever, upper, left-hand, for steering relay (threaded 7 x 100 for steering lock). R.H. steering. Since November 1958. | 1 |
| D 443-01a | Steering rod, right-hand, with flexible bush, length of rod 305 mm from the end to centre pin, threaded 14 x 125 right-hand pitch. | 1 | <u>DS 443-05a</u> | Relay housing for steering with cap and bushing. Shoulder 54 mm diameter. Since June 1965. | 2 | DM 443-9b | Lever, upper, left-hand, for steering relay. R.H. steering. | 1 |
| DS 443-01 | <i>Steering rod, left-hand, with flexible bush and ball pin without pin hole, 402 mm between centres. Since October 1963. Replaced by DX 443-01; order in addition: 1-DX 443-95a, 1-615.902.</i> | 1 | DM 443-06b | Lower lever for steering relay, left-hand with greaser and coupling bar. | 1 | DS 443-10 | Sleeve, adjustable, for steering rod, right-hand, threaded 14 x 125 left-hand pitch and right-hand pitch, 80 mm long. | 1 |
| DM 443-03 | <i>Relay housing, left-hand, complete with upper and lower levers and coupling bar. L.H. steering. Until November 1958. Replaced by DM 443-03d; order in addition: 1-DM 442-95, 1-2.493-S (R. III).</i> | 1 | DM 443-06c | Lever, lower, for steering relay, right-hand, with greaser and coupling bar. | 1 | D 443-11 | Nut, hex., castellated, 12 x 150, for steering rod ball pins. Until October 1963. | 4 |
| DM 443-03d | <i>Relay housing, left-hand, complete with levers (upper lever threaded 7 x 100 for steering lock, lower lever with greaser) and coupling bar. L.H. steering. Until June 1965. Replaced by DM 443-03f.</i> | 1 | DS 443-06a | Lever, lower, for steering relay, left-hand, with greaser and coupling bar (mountain use). | 1 | DM 443-12 | Protection cover, left-hand, for steering relay housing. | 1 |
| DM 443-03e | <i>Relay housing, right-hand, complete with levers (lower lever with greaser) and coupling bar. L.H. steering. Until June 1965. Replaced by DM 443-03g.</i> | 1 | DS 443-06b | Lever, lower, for steering relay, right-hand, with greaser and coupling bar (mountain use). | 1 | DM 443-12a | Protection cover, right-hand, for steering relay housing. | 1 |
| DM 443-03f | Relay housing, left-hand, complete with lever and coupling rod (lower levers with lubricator) 1 screw for lock stop, diameter of body 54 mm. L.H. steering. Since June 1965. | 1 | DM 443-07c | Relay housing, left-hand, complete with levers (lower lever with greaser) and coupling bar. R.H. steering. Until June 1965. | 1 | DM 443-15 | Lever, upper, right-hand, for steering relay. L.H. steering. | 1 |
| DM 443-03g | Relay housing, right-hand, complete with levers and coupling rod (lower lever with lubricator) diameter of body 54 mm. L.H. steering. Since June 1965. | 1 | DM 443-07d | <i>Relay housing, right-hand, complete with levers (lower lever with greaser) and coupling bar. R.H. steering. Until June 1965. Replaced by DM 443-07f.</i> | 1 | DM 443-15a | Lever, upper, right-hand, for steering relay (threaded 7 x 100, for steering lock). R.H. steering. | 1 |
| D 443-04 | <i>End piece with ball pin for right-hand steering rod, threaded 14 x 125 left-hand pitch. Until October 1963. Replaced by DS 443-04; order in addition: 1-615.751 (R. VI).</i> | 1 | <u>DM 443-07e</u> | Relay housing, left-hand, complete with levers and coupling rod (lower lever with lubricator) diameter of body 54 mm. R.H. steering. Since June 1965. | 1 | D 443-66 | Nut, 45 x 150, lower, for steering relay housing with sealing washer, internal diameter 31 mm. Until January 1961. | 2 |
| | | | <u>DM 443-07f</u> | Relay housing, right-hand, complete with levers and coupling rod (lower lever with lubricator) diameter of body 54 mm. R.H. steering. Since June 1965. | 1 | DS 443-66 | Nut, 45 x 150, lower, for steering relay housing with sealing washer. Since January 1961. | 2 |
| | | | D 443-7 | Bush, flexible, for steering rod, 10 x 22 x 33 (R. VI). | 2 | D 443-67 | Nut, 45 x 150, upper, for steering relay housing with sealing washer, internal diameter 25.5 mm. | 2 |
| | | | D 443-9 | Lever, upper, left-hand, for steering relay (mountain use). | 1 | D 443-70 | Clip securing adjustable sleeve on R.H. steering rod, 17.7 mm diameter. | 2 |
| | | | D 443-9a | Lever, upper, right-hand, for steering relay (mountain use). | 1 | | | |

The numbers underlined indicate new parts which do not appear on the illustration.

134-STEERING-RELAY HOUSINGS-STEERING RODS-LEVERS

| NUMBER | DESCRIPTION | No. OFF | NUMBER | DESCRIPTION | No. OFF | NUMBER | DESCRIPTION | No. OFF |
|------------------|---|---------|------------|--|---------|---------|---|---------|
| DS 443-71 | Washer, 22 x 43 x 6 on spindle securing relay housing. Since May 1958. | 2 | D 443-89 | Washer, 7.5 x 14 x 2, for adjusting relay housing. | As nec. | 2.491-S | Nut, hex., 7 x 100 (R. III) for securing: - collar locking adjustable sleeve on right-hand steering rod. - top of steering relay housing. | 2 |
| DM 443-73 | Shackle connecting steering rods. | 1 | D 443-89a | Washer, 7.5 x 14 x 3 for adjusting relay housing. | As nec. | 2.493-S | Nut, hex., 7 x 100 for steering lock adjusting screw (R. III). Since November 1958. | 1 |
| D 443-74 | Screw, hex. head, 9 x 125 x 50 mm long locking upper steering relay lever. | 2 | DS 443-94 | Sealing cup on steering rod ball pin (R. VI). | 4 | 4.102-S | Ball, 6.74 mm diameter for bearing in steering relay housing (R. VI). | 56 |
| D 443-78 | Rubber protection ring, lower, for steering relay housing, 24 x 41.5 x 6.5. Until January 1961. | 2 | D 443-95 | Washer, rubber, for sealing cup on steering rod ball pin. | 4 | 4.737-S | Greaser, hydraulic, right-hand thread 7 x 100, for lower lever of steering relay (R. VI). Since February 1964. | 2 |
| DS 443-78 | Rubber protector, lower, for steering relay housing, 28 and 52.5. Since January 1961. | 2 | DM 443-96 | <i>Spindle for shackle connecting steering rod. Until October 1963. Replaced by DM 443-96a. Order in addition 1-615.749 (R. VI).</i> | 2 | 5.400-S | Nut, hex., 9 x 125, for screw locking upper steering relay lever (R. III). | 2 |
| D 443-83 | Bearing cap for relay housing. Until June 1965. | 2 | DM 443-96a | Spindle for shackle connecting steering rod. Flat head. Without pin hole. Since October 1963. | 2 | 615.749 | Nut, "Nylstop", 9 x 125, 8.9 mm high, for shackle spindle on steering rods (R. VI). Since October 1963. | 2 |
| <u>DS 443-83</u> | Bearing cap for relay housing, 2 holes 7 mm diameter 14 mm high. Since June 1965. | 2 | 487-S | Screw, hex. head, 7 x 25, upper, locking steering relay housing (R. III). | 2 | 615.751 | Nut, "Nylstop", 12 x 150, 11.6 mm high, for steering rod ball pin (R. VI). Since October 1963. | 4 |
| D 443-87 | Nut, hex., 20 x 150, lower, securing steering relay housing. | 2 | 488-S | Screw, hex. head, 7 x 28, for securing housing bearing cap (R. III). | 4 | 620.061 | Bush, outer, for bearing in steering relay, 35 x 43 x 10 (R. II). | 4 |
| D 443-88 | Spindle, lower, securing relay housing, 20 x 150 x 112 mm long. Until May 1958. | 2 | 489-S | Screw, hex. head, 7 x 30 (R. III) for securing: - clamping collar on adjustable sleeve on right-hand steering rod. | 2 | | | |
| DS 443-88 | Spindle, lower, securing relay housing, 122 mm long. Since May 1958. | 2 | 2.368-S | Nut, hex., castellated, 9 x 125, for spindle in shackle connecting steering rod (R. III). Until October 1963. | 2 | | | |



ASSISTED STEERING—RELAY HOUSINGS—STEERING RODS—LEVERS—137

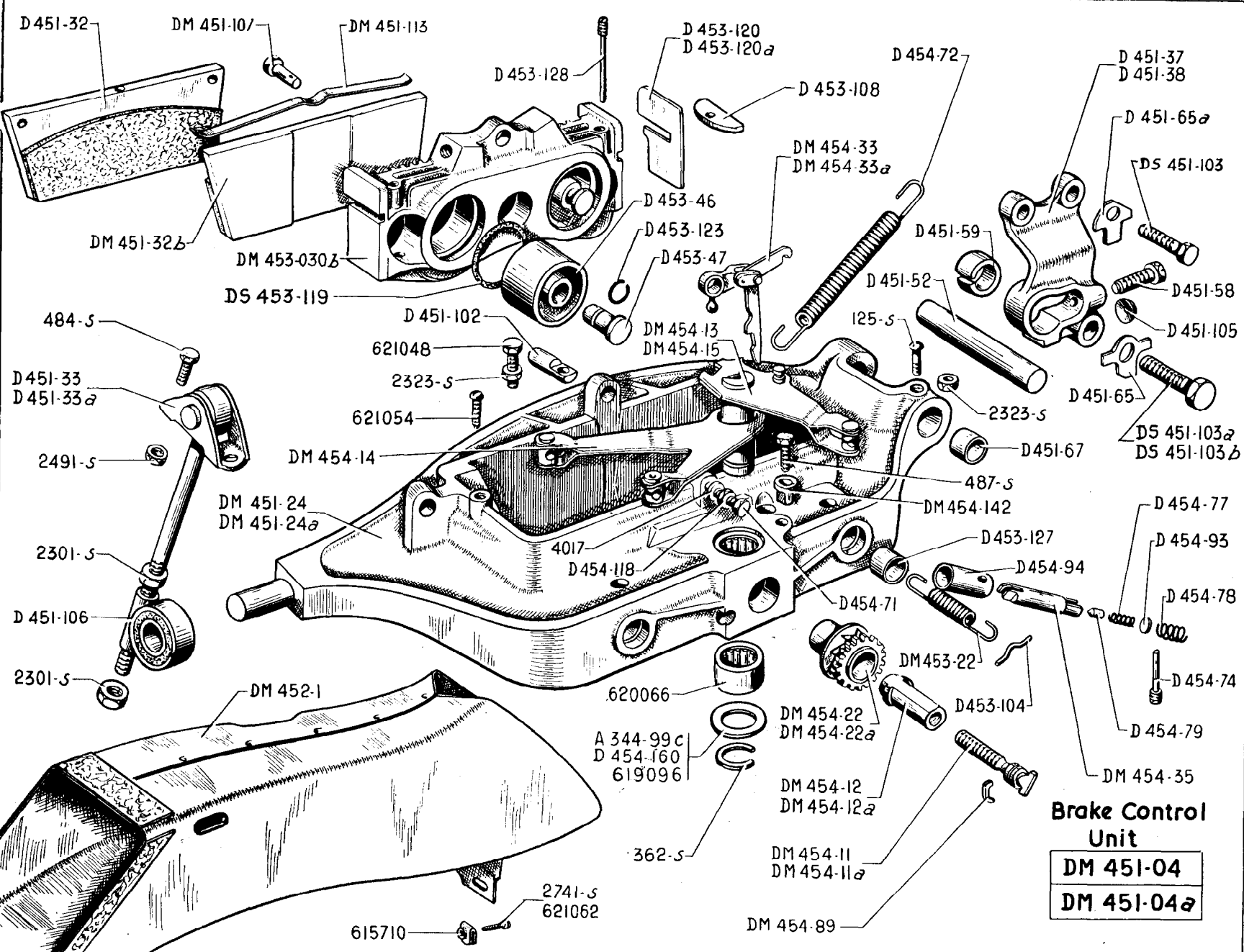
| NUMBER | DESCRIPTION | No. OFF | NUMBER | DESCRIPTION | No. OFF | NUMBER | DESCRIPTION | No. OFF |
|-------------------|---|---------|-------------------|--|---------|------------------|---|---------|
| DS 442-120 | Retaining spring for rack ball pin, 1.7 mm thick. | 1 | DS 443-05 | <i>Relay housing with cap and bushing, shoulder 53 mm diameter. Until June 1965. Replaced by DS 443-05a.</i> | 2 | DS 443-71 | Washer, 22 x 43 x 6 on spindle securing relay housing. | 2 |
| D 443-01 | <i>Steering rod, left-hand, with flexible bush and ball pin, 402 mm between centres. Until October 1963. Replaced by DS 443-01; order in addition: 1-615.751 (R. VI).</i> | 1 | <u>DS 443-05a</u> | Relay housing with cap and bushing, 54 mm diameter. Since June 1965. | 2 | DS 443-73 | Shackle connecting steering rods, 17 mm thick. | 1 |
| D 443-01a | Steering rod, right-hand, with flexible bush, length of rod 305 mm from end to centre of pin. | 1 | DS 443-06a | Lever, lower, for steering relay, left-hand with greaser and steering rod. | 1 | D 443-74 | Screw, hex. head, 9 x 125, 50 mm long, locking upper steering relay lever. | 2 |
| DS 443-01 | <i>Steering rod, left-hand, with flexible bush, and ball pin, without pin hole, 402 mm between centres. Since October 1963. Replaced by DX 443-01; order in addition: 1-DX 443-95a 1-615.902.</i> | 1 | DS 443-06b | Lever, lower, for steering relay, right-hand with greaser and steering rod. | 1 | DS 443-78 | Rubber protection ring, lower, for steering relay housing, 28 and 52.5 mm diameter. | 2 |
| DS 443-03 | <i>Relay housing, left-hand, complete with levers (lower lever with greaser) and coupling rod. Until June 1965. Replaced by DS 443-03b.</i> | 1 | D 443-7 | Flexible bush for steering rod, 10 x 22 x 23 (R. VI). | 2 | D 443-83 | <i>Bearing cap for relay housing. Until June 1965. Replaced by DS 443-83.</i> | 2 |
| DS 443-03a | <i>Relay housing, right-hand, complete with levers (lower lever with greaser) and coupling rod. Until June 1965. Replaced by DS 443-03c.</i> | 1 | D 443-9 | Lever, upper, left-hand, for steering relay, 130 mm between centres. | 1 | <u>DS 443-83</u> | Bearing cap for relay housing, 2 holes 7 mm diameter 14 mm high. Since June 1965. | 2 |
| <u>DS 443-03b</u> | Relay housing, left-hand, complete with levers and coupling rod, (lower lever with lubricator) diameter of body 54 mm. Since June 1965. | 1 | D 443-9a | Lever, upper, right-hand, for steering relay, 130 mm between centres. | 1 | D 443-87 | Nut, hex., 20 x 150, lower, for steering relay housing. | 2 |
| DS 443-03c | Relay housing, right-hand, complete with levers and coupling rod, (lower lever with lubricator) diameter of body 54 mm. Since June 1965. | 1 | DS 443-10 | Sleeve, adjustable, for steering rod, right-hand, 14 x 125 left-hand and right-hand pitch. | 1 | DS 443-88 | Spindle, lower, securing relay housing, 122 mm long. | 2 |
| D 443-04 | <i>End piece with ball pin for right-hand steering rod, threaded 14 x 125 left-hand pitch. Until October 1963. Replaced by DS 443-04; order in addition: 1-615.751 (R. VI).</i> | 1 | D 443-11 | Nut, hex., castellated, 12 x 150, for steering rod ball pins. Until October 1963. | 4 | D 443-89 | Washer, 7.5 x 14 x 2, for adjusting steering relay housing. | As nec. |
| DS 443-04 | End piece with ball pin without pin hole, right-hand steering rod. Threaded 14 x 125 left-hand pitch. Since October 1963. | 1 | DM 443-12 | Protection cover, left-hand, for steering relay housing. | 1 | D 443-89a | Washer, 7.5 x 14 x 3, for adjusting steering relay housing. | As nec. |
| | | | DM 443-12a | Protection cover, right-hand, for steering relay housing. | 1 | DS 443-94 | Sealing cup on steering rod ball pin (R. VI). | 4 |
| | | | DS 443-66 | Nut, 45 x 150, lower, for steering relay housing. | 2 | D 443-95 | Washer, rubber, for sealing cup on steering rod ball pin. | 4 |
| | | | D 443-67 | Nut, 45 x 150, upper, for steering relay housing, with sealing washer, 25.5 internal diameter. | 2 | DM 443-96 | <i>Spindle for shackle connecting steering rod, flat head. Until October 1963. Replaced by DM 443-96a; order in addition 1-645.749 (R. VI).</i> | 2 |
| | | | D 443-70 | Clip securing adjustable sleeve on right-hand steering rod, 17.7 mm diameter. | 2 | | | |

The numbers underlined indicate new parts which do not appear on the illustration.

138—ASSISTED STEERING—RELAY HOUSINGS—STEERING RODS—LEVERS

| NUMBER | DESCRIPTION | No. OFF | NUMBER | DESCRIPTION | No. OFF | NUMBER | DESCRIPTION | No. OFF |
|------------|---|---------|---------|--|---------|---------|---|---------|
| DM 443-96a | Spindle for shackle connecting steering rod, flat head, without pin hole. Since October 1963. | 2 | 2.368-S | Nut, hex., castellated, 9 x 125, for the spindle in shackle connecting steering rod (R. III). Until October 1963. | 2 | 5.400-S | Nut, hex., 9 x 125, for screw locking upper steering relay lever (R. III). | 2 |
| 487-S | Screw, hex. head, 7 x 25, for securing upper relay housing (R. III). | 2 | 2.491-S | Nut, hex., 7 x 100, for securing (R. III): - collar locking adjustable sleeve on right-hand steering rod. - top of steering relay housing. | 2 | 615.749 | Nut, 'Nylstop', 9 x 125 x 8.9 mm high, for shackle pins in steering rods (R. VI). Since October 1963. | 2 |
| 488-S | Screw, hex. head, 7 x 28, for securing cap on relay (R. III). | 4 | 4.102-S | Ball, 6.74 mm diameter for bearing in steering relay housing (R. VI). | 56 | 615.751 | Nut, 'Nylstop', 12 x 150 x 11.6 mm high, for steering rod ball pins (R. VI). Since October 1963. | 4 |
| 489-S | Screw, hex. head, 7 x 30, for securing (R. III): - clip securing adjustable sleeve on right-hand steering rod. | 2 | 4.737-S | Greaser, hydraulic, right-hand, threaded 7 x 100 for lower lever in steering relay (R. VI). Since February 1964. | 2 | 620.061 | Bush, outer, for ball bearing in steering relay, 35 x 43 x 10 (R. II). | 4 |

140—FRONT BRAKES—BRAKE CONTROL UNIT



Brake Control Unit
 DM 451-04
 DM 451-04a

FRONT BRAKES—BRAKE CONTROL UNIT—141

| NUMBER | DESCRIPTION | No. OFF | NUMBER | DESCRIPTION | No. OFF | NUMBER | DESCRIPTION | No. OFF |
|------------|---|---------|-------------|--|---------|------------|---|---------|
| | Until February 1958 | | | | | | | |
| A 334-99c | Washer for adjusting lever for mechanical operation. | As nec. | D 451-65a | Lockwasher, 9.5 mm diameter for screw securing rear support. | 3 | D 453-120a | Shim for adjusting moving carrier, 0.7 mm thick. | As nec. |
| DM 451-04 | Brake control unit, left-hand complete. | 1 | D 451-67 | Bush for housing, 16 x 19 x 16 (R. VI). | 4 | D 453-123 | Circlip for piston rod of moving carrier, 0.7 mm thick (R. VI). | 4 |
| DM 451-04a | Brake control unit, right-hand complete. | 1 | D 451-102 | Pin carrying screw for locking lined segment 9 mm diameter x 26 mm long. | 4 | D 453-127 | Bush, retaining anchor pin for moving carrier return spring, 16 x 18 x 18. | 4 |
| DM 451-24 | Housing, left-hand, with bearings and bushes. | 1 | DS 451-103 | Screw, hex. head, 9 diameter x 25 long, securing rear support. | 3 | D 453-128 | Anchor screw, for moving carrier return spring, 4 diameter x 75 pitch, 43 mm long. | 4 |
| DM 451-24a | Housing, right-hand, with bearing and bushes. | 1 | DS 451-103a | Screw, hex. head, 12 diameter x 35 long, securing rear support. | 1 | DM 454-11 | <i>Push-rod, adjustable, male, for left-hand brake control unit. Replaced by: DM 454-11b; order in addition: 1-DM 454-89a.</i> | 1 |
| D 451-32 | <i>Segment carrying brake lining (with brake lining quality 623). Replaced by 2-DM 451-32a; order in addition: 2-DM 451-32b.</i> | 2 | DS 451-103b | Screw, hex. head, 12 diameter x 50 long, securing rear support. | 1 | DM 454-11a | <i>Push-rod, adjustable, male, for right-hand brake control unit. Replaced by: DM 454-11c; order in addition: 1-DM 454-89a.</i> | 1 |
| DM 451-32b | Segment carrying brake lining (with brake lining quality 623) (R. VI). | 2 | D 451-105 | Thrust pad, locking spherical bush in rear support, 17 mm diameter 6 mm thick (spherical bush diameter 28 mm). | 2 | DM 454-12 | Push-rod, adjustable, female, for left-hand brake control unit, diameter 15.4 mm and 19.5 mm. | 1 |
| D 451-33 | Front support, left-hand, adjustable (male part), threaded 12 diameter x 125 pitch. | 1 | D 451-106 | Front support, adjustable, (female part), bore 13 mm (R. VI). | 2 | DM 454-12a | Push-rod, adjustable, female, for right-hand brake control unit, diameter 15.4 mm and 19.5 mm. | 1 |
| D 451-33a | Front support, right-hand, adjustable, length 108.5 mm (male part), threaded 12 diameter x 125 pitch. | 1 | DM 451-107 | Pin for spring retaining segment carrying linings 9 x 33. | 2 | DM 454-13 | <i>Lever with spindle for mechanical operation of left-hand brake control unit. Replaced by: DM 454-13a; order in addition: 1-620.503 (R. VI).</i> | 1 |
| D 451-37 | <i>Rear support, left-hand, 2 holes 10 mm diameter, 1 hole 13 mm diameter. Replaced by: D 451-37a; order in addition: 1-D 451-59a, 1-D 451-105a.</i> | 1 | DM 451-113 | Spring retaining segment carrying lining. | 2 | DM 454-14 | Return lever for left-hand brake control unit. | 1 |
| D 451-38 | <i>Rear support, right-hand, 1 hole 13 mm diameter, 1 hole 10 mm diameter. Replaced by 1-D 451-38a; order in addition: 1-D 451-59a, 1-D 451-105a.</i> | 1 | DM 452-1 | <i>Cooling duct for front brakes. Replaced by DM 452-91. Order in addition: 2-DM 512.94.</i> | 2 | DM 454-15 | <i>Lever with spindle for mechanical operation of right-hand brake control unit. Replaced by: DM 454-15a; order in addition: 1-620.503 (R. VI).</i> | 1 |
| D 451-52 | Pin for rear support, 9 x 16 x 80. | 2 | DM 453-030b | Moving carrier with 38 mm pistons and joints, replaces type mounted. Until February 1958. Order in addition: 2-DM 453-108. | 2 | DM 454-22 | Adjustment wheel, left-hand 10 teeth. | 1 |
| D 451-58 | Screw, hex. head, 9 diameter x 25 long, locking spherical bush for rear support. | 2 | DM 453-22 | Return spring for movable carrier. | 4 | DM 454-22a | Adjustment wheel, right-hand 10 teeth. | 1 |
| D 451-59 | Spherical bush for rear support. 28 mm diameter, 17 mm thick. | 2 | D 453-46 | Piston for movable carrier, 38 x 26. | 4 | | | |
| D 451-65 | Lockwasher, 12.5 mm diameter for screws securing rear support. | 2 | D 453-47 | Piston rod for moving carrier, 11 mm diameter, 27.35 mm long. | 4 | | | |
| | | | D 453-104 | Anchor pin for movable carrier return spring, 3.5 x 23. | 1 | | | |
| | | | D 453-108 | Guide plate for moving carrier, 34 x 13.5 x 4. | 4 | | | |
| | | | DS 453-119 | Ring seal, 37 x 44 x 3.5 for moving carrier. | 4 | | | |
| | | | D 453-120 | Shim for adjusting moving carrier, 0.6 mm thick. | As nec. | | | |

142—FRONT BRAKES—BRAKE CONTROL UNIT

| NUMBER | DESCRIPTION | No. OFF | NUMBER | DESCRIPTION | No. OFF | NUMBER | DESCRIPTION | No. OFF |
|------------|--|---------|------------|--|---------|---------|---|---------|
| DM 454-33 | Pawl on left-hand brake control unit (R. VI). | 1 | D 454-118 | Nut, hex. , 5 diameter x 75 pitch, for control lever pin (R. VI). | 2 | 2.491-S | Nut, hex. , 7 diameter x 100 pitch, securing front adjustable support (R. III). | 4 |
| DM 454-33a | Pawl on right-hand brake unit (R. VI). | 1 | DM 454-142 | Stop, eccentric for adjusting operating lever. | 2 | 2.741-S | Screw, round head, P.K. 4.85 x 9.5, securing brake cooling duct (R. VI). | 4 |
| DM 454-35 | Locking pin. | 2 | D 454-160 | Distance cup, upper, for mechanical operating lever, right-hand, 20 x 32 x 4. | 1 | 4.017 | Washer, 5.2 x 10 x 0.5, between nut for control lever spindle (R. II). | 1 |
| D 454-71 | Pin for brake control lever, threaded 5 diameter x 75 pitch, 20 mm long. | 2 | 125-S | Screw, round head, 5 diameter x 15 long, for anchorage of control lever return spring (R. III). | 2 | 615.710 | Nut clips securing brake cooling ducts (R. VI). | 4 |
| D 454-72 | Return spring for control lever, external diameter 14.2 mm. | 2 | 362-S | Circlip, 18 x 24 x 1.5, for mechanical control lever spindle (R. III). | 2 | 610.096 | Washer, lower, for mechanical control levers, 20 x 32 x 1 (R. II). | 2 |
| D 454-74 | Stop screw, for locking spring pin, 5 diameter x 75 pitch, 28 mm long (R. VI). | 2 | 484-S | Screw, hex. head, 7 diameter x 17.5 long, securing adjustable front support (R. III). | 4 | 620.066 | Needle roller bearing for housing, 20 x 26 x 16 (R. VI). | 4 |
| D 454-77 | Spring for locking pin plunger, external diameter 4.5 mm. | 2 | 487-S | Screw, hex. head, 7 diameter x 25 long, for eccentric stop for control lever adjustment (R. III). | 2 | 621.048 | Screw, hex. head, pointed, 5 diameter x 75 pitch, 22 mm long, securing brake lining carrier (R. II). | 2 |
| D 454-78 | Spring for locking pin, external diameter 7.5 mm. | 2 | 2.301-S | Nut, hex. , 12 diameter x 125 pitch, securing front adjustable support (female part) (R. III). | 4 | 621.054 | <i>Screw, hex. head, pointed 5 diameter x 35 long, locking guide plate for movable carrier (R. II). Replaced by 298-S-30.</i> | 4 |
| D 454-79 | Plunger for locking pin, 4.8 x 7.5 (R. VI). | 2 | 2.323-S | Nut, hex. , 5 diameter x 75 pitch for screw (R. III) : - locking brake lining carrier plate. - anchoring return spring on control lever. | 2 2 | 621.062 | Screw, hex. head, 5 diameter x 14 long, securing brake cooling duct (R. III). | 2 |
| DM 454-89 | Circlip, retaining male pushrod. | 2 | | | | | | |
| D 454-93 | Disc for locking pin plunger, 7.5 mm diameter, 1 mm thick. | 2 | | | | | | |
| D 454-94 | Guide bush for locking pin, 9.5 x 13 x 29 (R. VI). | 2 | | | | | | |

| NUMBER | DESCRIPTION | No. OFF | NUMBER | DESCRIPTION | No. OFF | NUMBER | DESCRIPTION | No. OFF |
|------------|---|---------|-------------|---|---------|-------------|---|---------|
| | Since February 1958 | | | | | | | |
| A 344-99c | Washer, 20 x 32 x 0.5, for adjusting lever for mechanical operation. | As nec. | D 451-37a | part), threaded 12 diameter x 125 pitch. Until September 1962. Support, rear, left-hand: 2 holes 10 mm diameter, 1 hole 13 mm diameter, housing for spherical bush 26 mm diameter. Since December 1962. Replaces earlier type. Order in addition 1-D 451-59a, 1-D 451-105a. | 1 | D 451-105 | Thrust pad, locking spherical bush in rear support, 17 mm diameter, 6 mm thick. Until December 1962. | 2 |
| DM 451-04b | Brake control unit left-hand complete. Left-hand steering. Until July 1959. | 1 | D 451-38a | Support, rear, right-hand: 1 hole 10 mm diameter, 1 hole 13 mm diameter, housing for spherical bush 26 mm diameter. Since December 1962. Replaces earlier type. Order in addition 1-D 451-59a, 1-D 451-105a. | 1 | D 451-105a | Thrust pad, locking spherical bush in rear support, 17 mm diameter, 16 mm thick (assembly with 26 mm diameter spherical bush). Since December 1962. | 2 |
| DM 451-04c | Brake control unit complete right-hand. Left-hand steering. Until July 1959. | 1 | D 451-52 | Pin for rear support, 9 x 16 x 80. | 2 | D 451-106 | Support, front, adjustable (female part), bore 13 mm diameter (R. VI). | 2 |
| DM 451-04d | Brake control unit left-hand with 42 mm piston. Left-hand steering. Since July 1959. Right-hand steering. Until December 1962. | 1 | D 451-55 | Rubber sheath protecting spring retaining protection casing. 2.5 x 6 x 25 (assisted steering). | 2 | DM 452-1 | <i>Cooling duct for front brake. Until September 1962. Replaced by DM 452-91; order in addition: 2-DM 512-94.</i> | 2 |
| DM 452-04e | <i>Brake control unit, right-hand, with 42 mm piston. L.H. steering. July 1959 - January 1964. R.H. steering. Until December 1962. Replaced by : DS 451-08a.</i> | 1 | D 451-58 | Screw, hex. head, 9 diameter x 25 long, locking spherical bush for rear support. | 2 | DS 452-1a | Cooling duct for front brake. Since September 1962. | 2 |
| DM 451-08a | <i>Brake control unit left-hand complete. Right-hand steering. Until July 1959. No longer supplied.</i> | 1 | D 451-59 | Spherical bush for rear support, 28 mm diameter, 17 mm thick. Until December 1962. | 2 | DS 452-89 | Sealing joint, black rubber, between brake duct and panel (R. VI). Since September 1962. | 2 |
| DM 451-08b | Brake control unit left-hand with 42 mm piston. Right-hand steering. Since July 1959. | 1 | D 451-59a | Spherical bush for rear support, 26 mm diameter, 17 mm thick. Since December 1962. | 2 | DM 452-91 | Cooling duct for front brake. Until September 1962. | 1 |
| DM 451-08d | <i>Brake control unit, right-hand, complete with elbowed pawl. Right-hand steering. Since December 1962. L.H. steering. Since January 1964. Replaced by DS 451-08a.</i> | 1 | D 451-65 | Lockwasher, 12.5 mm for screw securing rear support. Until April 1958. | 2 | DM 453-030 | Moving carrier with 38 mm pistons and joints. June 1959 - July 1959. Replaces earlier type: order in addition: 2-DM 453-108. | 2 |
| DM 451-24b | Housing, left-hand with bearings and bushes. | 1 | D 451-65a | Lockwasher, 9.5 mm diameter for screw securing rear support. Until April 1958. | 3 | DM 453-030a | Movable carrier with 42 mm pistons and joints. Since July 1959. | 2 |
| DM 451-24c | <i>Housing, right-hand with bearings and bushes. Replaced by DS 451-24.</i> | 1 | D 451-67 | Bush for housing, 16 x 19 x 16 (R. VI). | 4 | D 453-46 | Piston for movable carrier, 38 x 26. Until July 1959. | 4 |
| DS 451-31 | Protection casing, left-hand (assisted steering). | 1 | D 451-79 | Spring retaining protection casing. 3 mm diameter (assisted steering). | 2 | DM 453-46 | Piston for movable carrier, 42 x 26. Since July 1959. | 4 |
| DS 451-31a | Protection casing, right-hand (assisted steering). | 1 | D 451-102 | Pin carrying screw for locking lined segment. 9 mm dia., 26 mm long. | 4 | D 453-47 | Rod for movable carrier piston, 11 mm diameter, 27.35 mm long. | 4 |
| DM 451-32a | Segment carrying lining (with brake lining quality 623). (R. VI). | 4 | DS 451-103 | Screw, hex. head, 9 diameter x 25 long, (1 hole in the head), securing rear support. | 3 | D 453-108 | Guide plate for movable carrier. 34 x 13.5 x 4. Until June 1959. | 4 |
| D 451-33 | Support, adjustable, front left-hand (male part), threaded 12 diameter x 125 pitch. Left-hand steering. Since September 1962. | 1 | DS 451-103a | Screw, hex. head, 12 diameter x 39 long (1 hole in the head), securing rear support. | 1 | DM 453-108 | Guide plate for movable carrier, 40 x 15.5 x 4. Since June 1959. | 4 |
| D 451-33a | Support, adjustable, front right-hand, length 108.5 mm (male | 1 | DS 451-103b | Screw, hex. head, 12 diameter x 54 long (1 hole in the head), securing rear support. | 1 | DS 453-119 | <i>Ring seal, 37 x 44 x 3.5 for movable carrier. Until July 1959. Replaced by 4.878-S.</i> | 4 |
| | | | | | | DS 453-119a | Ring seal, 41.3 x 48.5 x 3.6 for movable carrier. Since July 1959. | 4 |
| | | | | | | D 453-120 | Shim for adjusting movable carrier, 0.6 mm thick. Until June 1959. | As nec. |

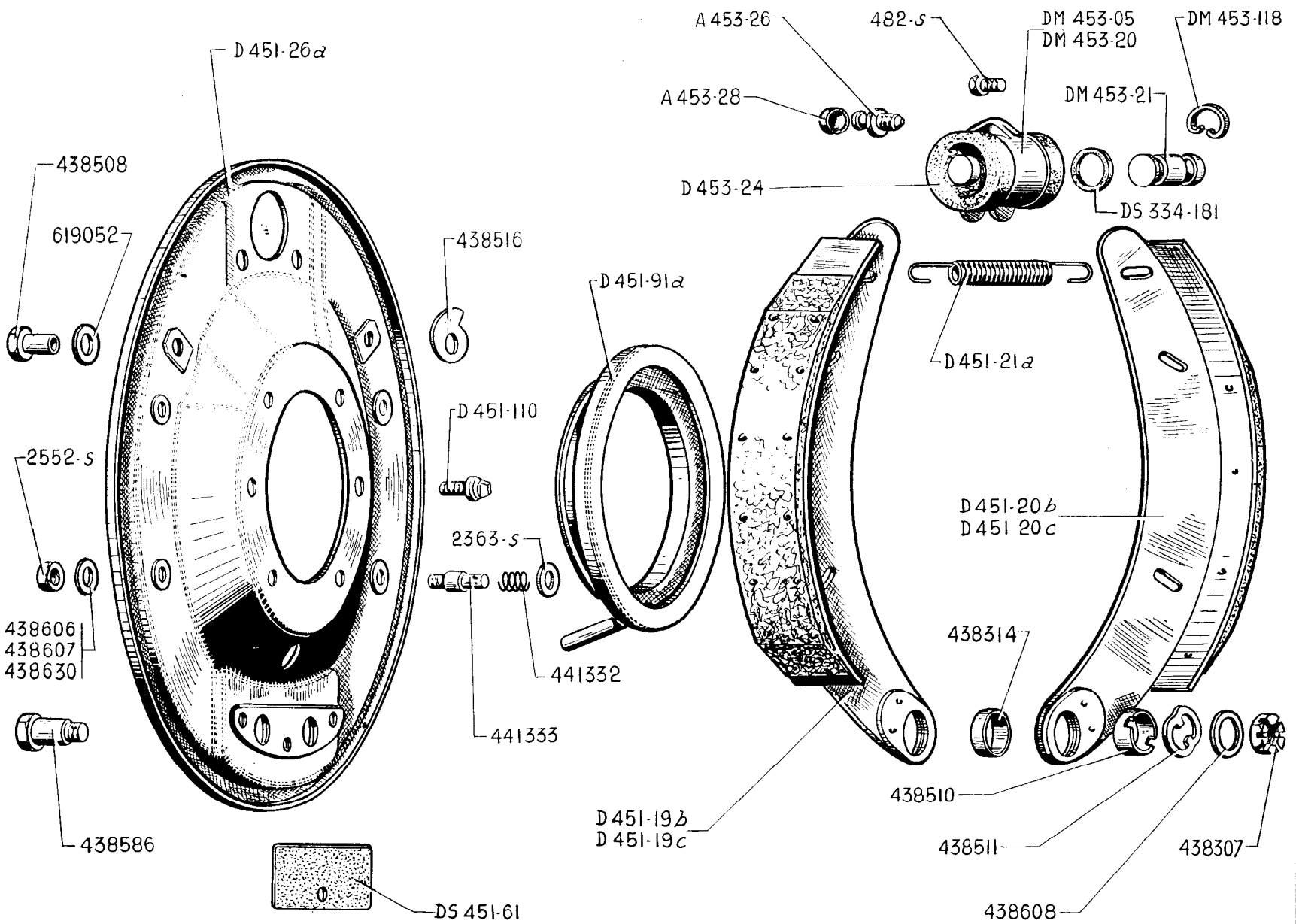
The numbers underlined indicate new parts which do not appear on the illustration.

146—FRONT BRAKES—BRAKE CONTROL UNIT

| NUMBER | DESCRIPTION | No. OFF | NUMBER | DESCRIPTION | No. OFF | NUMBER | DESCRIPTION | No. OFF |
|-------------|--|---------|------------|--|---------|------------------|---|---------|
| D 453-120a | Shim for adjusting movable carrier, 0.7 mm thick. Until June 1959. | As nec. | D 454-22 | Adjustment wheel, left-hand 8 teeth, external diameter 28 mm. Since May 1958. | 1 | D 454-77 | Spring for locking pin plunger, external diameter 4.5 mm. | 2 |
| | Shim for adjusting movable carrier, 47 mm wide. Since June 1959. | As nec. | D 454-22a | Adjustment wheel, right-hand, 8 teeth, external diameter 28 mm. Since May 1958. | 1 | D 454-78 | Spring for locking pin, external diameter 7.5 mm. | 2 |
| DM 453-120 | 0.635 mm thick. | | DM 454-22 | Adjustment wheel, left-hand, 10 teeth. Until May 1958. | 1 | D 454-79 | Plunger for locking pin, 4.8 x 7.5 (R. VI). | 2 |
| DM 453-120a | 0.685 mm thick. | | DM 454-22a | Adjustment wheel, right-hand, 10 teeth. Until May 1958. | 1 | DM 454-89a | Circlip retaining male push-rod, 1.5 mm diameter wire. | 2 |
| DM 453-120b | 0.736 mm thick. | | DM 454-33 | Pawl on left-hand brake control unit (R. VI). Until May 1958. | 1 | D 454-93 | Disc for locking pin plunger, 7.5 mm diameter, 1 mm thick. | 2 |
| D 453-123 | Circlip for piston rod of moving carrier, 0.7 mm thick (R. VI). | 4 | DM 454-33a | Pawl on right-hand brake control unit (R. VI). Until May 1958. | 1 | D 454-94 | Guide bush for locking pin, 9.5 x 13 x 29 (R. VI). | 2 |
| DM 454-11b | Push-rod, adjustable, male, for left-hand brake control unit, 16 mm diameter on 13.25 mm length. | 1 | DS 454-33 | Pawl on left-hand brake control unit (R. VI). Since October 1961. Replaces type fitted May 1958 - October 1961. | 1 | D 454-118 | Nut, hex., 5 diameter x 75 pitch, for operating lever stop screw (R. VI). | 2 |
| DM 454-11c | Push-rod, adjustable, male, for right-hand brake control unit, 16 mm diameter on 13.25 mm length. | 1 | DS 454-33a | Pawl on right-hand brake control unit (R. VI). Left-hand steering. Since October 1961. Replaces type fitted May 1958 - October 1961. Right-hand steering. Until December 1962. | 1 | DM 454-142 | Stop, eccentric, for adjusting operating lever, internal diameter 7.25 mm. | 2 |
| DM 454-12 | Push-rod, adjustable, female, for left-hand brake control unit, 15.4 mm diameter and 19.5 mm diameter. | 1 | DS 454-33b | Pawl, elbowed, for right-hand brake unit (R. VI). Right-hand steering. Since December 1962. L.H. steering. Since January 1964. | 1 | D 454-160 | Spacing washer, upper, for mechanical operating lever, right-hand, 20 x 32 x 4. | 1 |
| DM 454-12a | Push-rod, adjustable, female, for right-hand brake control unit, 15.4 mm and 19.5 mm diameter. | 1 | D 454-35 | Locking pin, 9.5 x 44.5. Since May 1958. | 2 | <u>DM 512-94</u> | Lateral sound deadening band for brake cooling duct, 80 mm long. Until September 1962. | 2 |
| DM 454-13a | Lever with spindle, for mechanical operation of left-hand brake control unit (groove for circlips 1.3 mm wide). Left-hand steering. Since September 1960. Replaces earlier type; order in addition: 1-620.503 (R. VI). | 1 | DM 454-35 | Locking pin. Until May 1958. | 2 | 125-S | Screw, round head, 5 diameter x 15 long, anchoring control lever return spring (R. III). | 2 |
| DM 454-14 | Return lever for left-hand brake control unit. Left-hand steering. | 1 | DM 454-38 | Return lever for left-hand brake control unit. Right-hand steering. | 1 | 295-S 30 | Screw, hex. head, pointed, 5 diameter x 16 long, securing duct (R. III). Since September 1962. | 4 |
| DM 454-15a | Lever with spindle for mechanical operation of right-hand brake control unit (groove for circlip 1.3 mm wide). Since September 1960. Replaces earlier type; order in addition: 1.620.503 (R. VI). | 1 | DM 454-39 | <i>Lever with spindle for mechanical operation of left-hand brake control unit. Right-hand steering. Until September 1960. Replaced by DM 454-39b; order in addition: 1-620.503.</i> | 1 | 362-S | Circlip, 18 x 24 x 1.5, for mechanical control lever spindle (R. III). Until September 1960. | 2 |
| | | | DM 454-39b | Lever with spindle for mechanical operation of left-hand brake control unit (groove for circlip 1.3 mm wide). Right-hand steering. Since September 1960. | 1 | 484-S | Screw, hex. head, 7 diameter x 17.5 long, securing adjustable front support (R. III). | 4 |
| | | | D 454-71 | Pin for brake control lever, threaded 5 diameter x 75 pitch length 20 mm. | 2 | 487-S | Screw, hex. head, 7 diameter x 25 long, for accentric stop for control lever adjustment (R. III). | 2 |
| | | | D 454-72 | Return spring for control lever. | 2 | 2.301-S | Nut, hex., 12 diameter x 125 pitch, securing adjustable front support (female part) (R. III). | 4 |
| | | | D 454-74 | Stop screw for locking spring pin, 5 dia. x 75 pitch, 28 mm long (R. VI). | 2 | 2.323-S | Nut, hex., 5 diameter x 75 pitch, for screw (R. III): - locking brake lining carrier plate. - anchoring return spring on control lever. | 4 2 |

FRONT BRAKES—BRAKE CONTROL UNIT—149

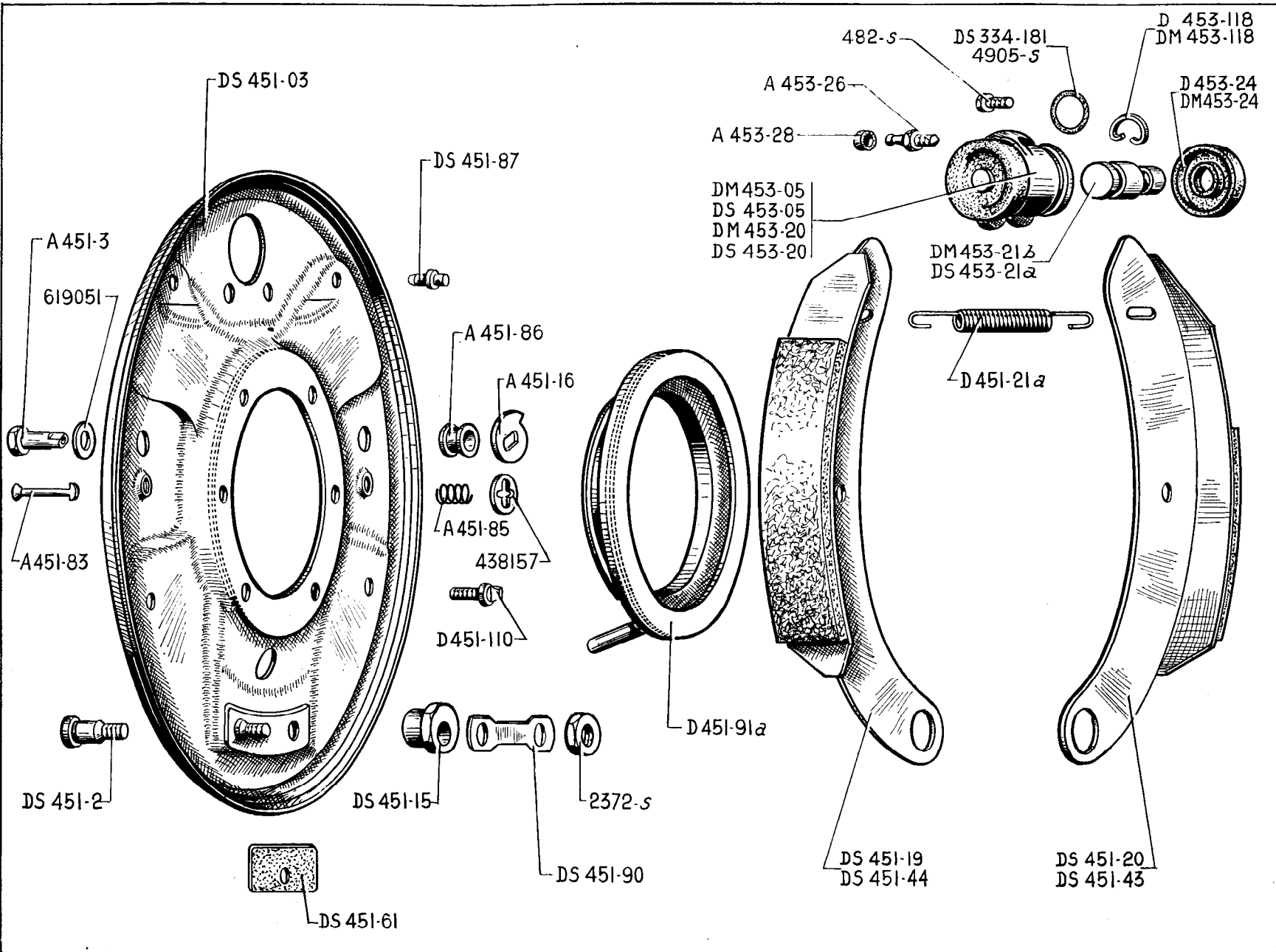
| NUMBER | DESCRIPTION | No. OFF | NUMBER | DESCRIPTION | No. OFF | NUMBER | DESCRIPTION | No. OFF |
|---------|---|---------|---------|---|---------|---------|---|---------|
| 2.491-S | Nut, hex., 7 diameter x 100 pitch, securing adjustable front support (R. III). | 4 | 615.710 | Nut clip securing brake cooling duct (R. VI). Until September 1962. | 4 | 620.503 | Circlip for mechanical control lever spindle (R. VI). Since September 1960. | 2 |
| 2.741-S | Screw, round head, 4.85 x 9.5, securing brake cooling duct (R. VI). Until September 1962. | 4 | 615.725 | Cage nut securing duct (R. VI). Since September 1962. | 4 | 621.048 | Screw, hex. head, pointed, 5 diameter x 75 pitch, 22 mm long, locking segment carrying brake lining (R. II). | 4 |
| 2.746-S | Screw, P.K. round head, 4.85 x 16, securing brake cooling duct (R. VI). Since September 1962. | 2 | 615.745 | Nut clip securing duct (R. VI). Since September 1962. | 2 | 621.054 | <i>Screw, hex. head, pointed, 5 diameter x 35 long, locking guide plate for moving carrier (R. II). Replaced by 298-S 30.</i> | 4 |
| 4.017 | Washer, 5.2 x 10 x .05, between nut and control lever spindle (R. II). Until May 1958. | 1 | 619.096 | Washer, lower, for mechanical control levers, 20 x 32 x 1 (R. II). | 2 | 621.062 | Screw, hex. head, 5 diameter x 14 long, securing brake cooling duct (R. III). Until September 1962. | 2 |
| | | | 620.066 | Needle roller bearing for housing, 20 x 26 x 16 (R. VI). | 4 | | | |



150-REAR BRAKES-BACK PLATES-BRAKE SHOES

| NUMBER | DESCRIPTION | No. OFF | NUMBER | DESCRIPTION | No. OFF | NUMBER | DESCRIPTION | No. OFF |
|----------------------------|--|---------|------------|--|---------|---------|--|---------|
| Until November 1957 | | | | | | | | |
| A 453-26 | Bleed screw for rear brake cylinder. | 2 | D 451-110 | Screw, 7 diameter x 100 pitch. 23 mm long, securing brake backplate. | 12 | 438.510 | Bush, 16 x 20 x 13.6, for brake shoe adjustment (R. II). | 4 |
| A 453-28 | Cap, rubber, for brake cylinder bleed screw (R. VI). | 2 | DM 453-05 | Cylinder for rear brake complete. | 2 | 438.511 | Distance piece for brake shoe anchor pin (R. II). | 4 |
| DS 334-181 | <i>Ring seal, 10.5 x 15.9 x 2.7, for rear brake cylinder (R. VI). Replaced by 4.978-S.</i> | 4 | DM 453-20 | Cylinder for brake only, internal diameter 16.5 mm (R. VI). | 2 | 438.516 | Adjustment cam for brake shoe, hole 10.5 x 12 (R. II). | 4 |
| D 451-19b | <i>Brake shoe, front, left-hand, lining 180 mm long. Replaced by D 451-19d; order in addition: 1-D 451-20d.</i> | 1 | DM 453-21 | <i>Piston for brake cylinder, external diameter 16.5 mm. Replaced by DM 453-21b; order in addition: 1-DM 453-24.</i> | 2 | 438.586 | Anchor pin for brake shoe, 38.5 mm long, plain part 19 mm (R. II). | 4 |
| D 451-19c | <i>Brake shoe, front, right-hand, lining 180 mm long. Replaced by D 451-19e; order in addition: 1-D 451-20e.</i> | 1 | D 453-24 | Dust cap, rubber, for brake cylinder, 9.5 x 27. | 4 | 438.606 | Adjusting washer, 8.5 x 18 x 0.5, for brake shoe guide pins (R. II). | As nec. |
| <u>D 451-19d</u> | Brake shoe, front, left-hand (lining stuck on) (R. VI). | 1 | DM 453-118 | Circlip for rear brake cylinder. Wire diameter 1 mm. | 2 | 438.607 | Washer, 8.5 x 18 x 0.2 for brake shoe guide pin (R. II). | As nec. |
| <u>D 451-19e</u> | Brake shoe, front, right-hand (lining stuck on) (R. VI). | 1 | 482-S | Screw, hex. head, 7 diameter x 12.5 long, securing brake cylinder on brake backplate (R. III). | 4 | 438.608 | Adjusting washer, 14.5 x 24 x 1, for brake shoe anchor pins (R. II). | As nec. |
| D 451-20b | <i>Brake shoe, rear, left-hand, lining 146 mm long. Replaced by D 451-20d; order in addition: 1-D 451-19d.</i> | 1 | 2.363-S | Washer, 6.5 x 14 x 1.5, for brake shoe adjustment (R. III). | 16 | 438.630 | Adjusting washer, 8.5 x 18 x 1, for brake shoe guide pin (R. II). | As nec. |
| D 451-20c | <i>Brake shoe, rear, right-hand, lining 146 mm long. Replaced by D 451-20e; order in addition: 1-D 451-19e.</i> | 1 | 2.552-S | Nut, hex., 8 diameter x 125 pitch, securing guide pins (R. III). | 8 | 441.332 | Thrust spring for brake shoe guide pins (R. II). | 8 |
| <u>D 451-20d</u> | Brake shoe, rear, left-hand (lining stuck on) (R. VI). | 1 | 438.307 | Nut, hex., 14 diameter x 150 pitch, securing anchor pins (R. II). | 4 | 441.333 | Guide pin for brake shoes, 47 mm long (R. II). | 4 |
| <u>D 451-20e</u> | Brake shoe, rear, right-hand (lining stuck on) (R. VI). | 1 | 438.314 | Bush, 20 x 22 x 10 for brake shoes (R. VI). | 4 | 619.052 | Washer, Belleville type, for cam pin (R. VI). | 4 |
| D 451-21a | Return spring for brake shoes, external diameter 14 mm. | 2 | 438.508 | Pin for brake shoe adjustment cam 21 mm long (R. II). | 4 | | | |
| D 451-26a | Backplate for rear brake, right-hand and left-hand, 277 mm diameter. | 2 | | | | | | |
| DS 451-61 | Plate, rubber, sealing brake backplate, 31 x 45. | 2 | | | | | | |
| D 451-91a | Oil drain ring for rear brake with drain tube, 85 x 134. | 2 | | | | | | |

152—REAR BRAKES—BACK PLATES—BRAKE SHOES

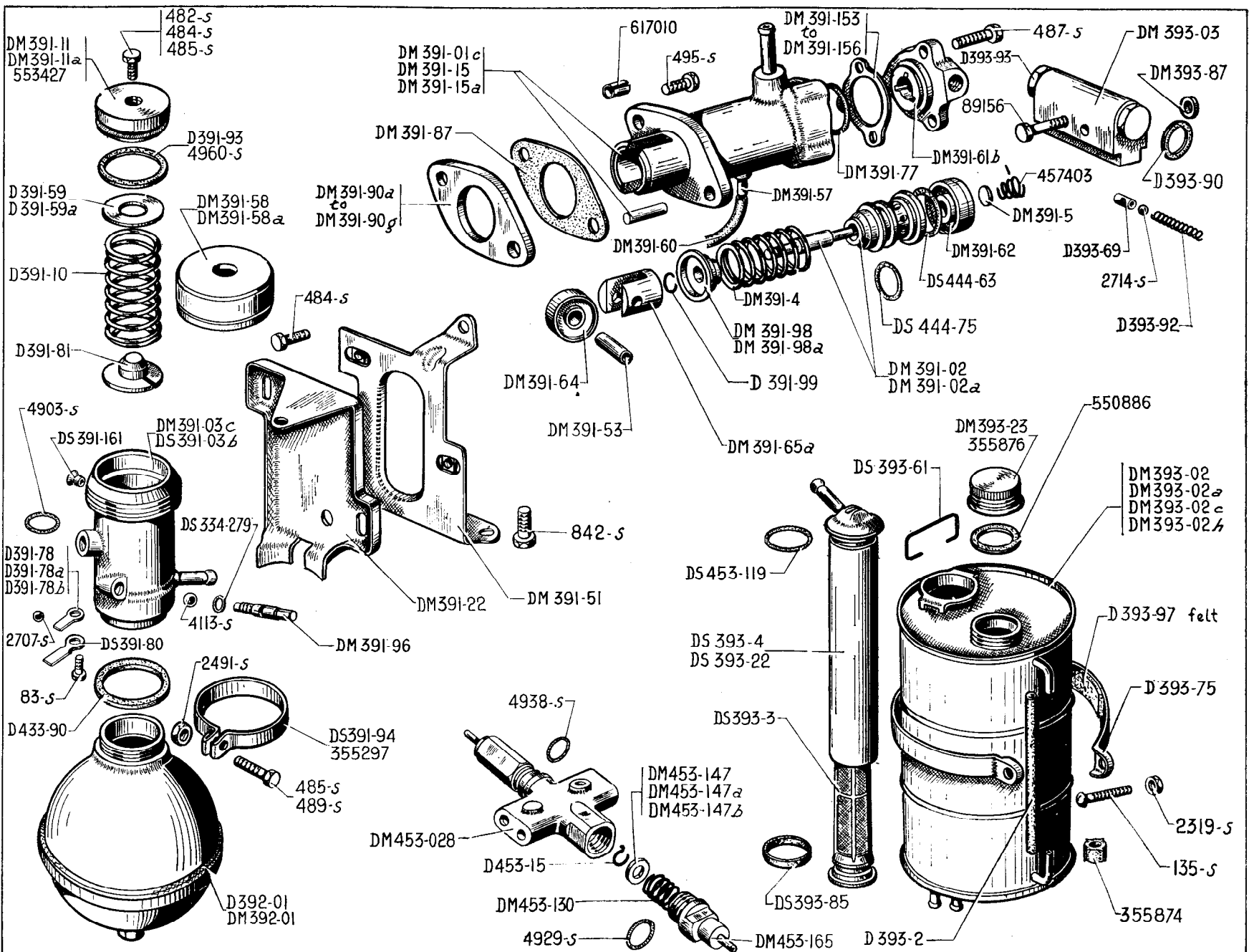


REAR BRAKES—BACK PLATES—BRAKE SHOES—153

| NUMBER | DESCRIPTION | No. OFF | NUMBER | DESCRIPTION | No. OFF | NUMBER | DESCRIPTION | No. OFF |
|----------------------------|--|---------|-----------|---|---------|----------------|---|---------|
| Since November 1957 | | | | | | | | |
| A 451-3 | Pin, hex. head, (machined part 15.4 mm, 9 mm diameter), for brake adjustment cam. | 4 | DS 451-20 | Brake shoe, rear, left-hand, lining 132 mm long. | 1 | DM 453-21b | Piston for brake cylinder, external diameter 16.5 mm, shouldered diameter 10.5 mm (R. VI). October 1959 - August 1961. Replaces earlier type. Order in addition: 1-DM 453-24. | 2 |
| A 451-16 | Brake shoe adjusting cam, 32 mm wide. | 4 | D 451-21a | Return spring for brake shoes, external diameter 14 mm. | 2 | DS 453-21a | Piston for brake cylinder, external diameter 18 mm. Since August 1961.(R. VI). | 2 |
| A 451-83 | Guide rod for brake shoe thrust spring, total length 35 mm. | 4 | DS 451-43 | Brake shoe, rear, right-hand, lining 132 mm long.(R. VI). | 1 | D 453-24 | Dust cap, rubber, for brake cylinder 9.5 x 27. Until October 1959. | 4 |
| A 451-85 | Thrust spring for brake shoe, 18 mm diameter (R. VI). | 4 | DS 451-44 | Brake shoe, front, right-hand, lining 175 mm long.(R. VI). | 1 | DM 453-24 | <i>Dust cap, rubber, for brake cylinder, 8 x 27. Since October 1959. Replaced by DX 453-24.</i> | 4 |
| A 451-86 | Distance piece for brake shoe adjusting cam, 9 mm diameter, height 10 mm. | 4 | DS 451-61 | Plate, rubber, for backplate, 31 x 45. | 2 | D 453-118 | Circlip for brake cylinder, wire diameter 1.1 mm. Since August 1961. | 2 |
| A 453-26 | Bleed screw for brake cylinders. | 2 | DS 451-87 | Guide pin for brake shoes. | 8 | DM 453-118 | Circlip for rear brake cylinder, wire diameter 1 mm. Until August 1961. | 2 |
| A 453-28 | Cap, rubber, for cylinder bleed screw (R. VI). | 2 | DS 451-90 | Lockwasher, double, 10.5 mm, distance between centres 40 mm for brake shoe adjusting eccentric. | 2 | 482-S | Screw, hex. head, 7 diameter x 12.5 long, securing brake cylinder (R. III). | 4 |
| DS 334-181 | <i>Ring seal, 10.5 x 15.9 x 2.7, for brake cylinder (R. VI). Until August 1961. Replaced by 4.978-S.</i> | 4 | D 451-91a | Oil drain ring for brake with drain tube, 85 x 134. | 2 | 2.372-S | Nut, hex., 9 diameter x 125 pitch, for brake shoe adjusting eccentrics (R. III). | 4 |
| DS 451-03 | Brake backplate, 303 mm diameter with fixed anchor pins. | 2 | D 451-110 | Screw, 7 diameter x 23 long, securing brake backplate. | 12 | 4.905-S | <i>Ring seal, 12.1 x 17.5 x 2.7, for brake cylinder (R. VI). August 1961 - July 1964. Replaced by 4.983-S.</i> | 4 |
| DS 451-2 | Brake shoe anchor pin, 12 mm diameter, 26 mm long. | 2 | DM 453-05 | Brake cylinder complete. Until August 1961.(R. VI). | 2 | <u>4.983-S</u> | <i>Ring seal, 12.1 x 17.5 x 2.7 for brake cylinder (R. III). Since July 1964. Replaced by 4.875-S.</i> | 4 |
| DS 451-15 | Eccentric for brake shoe adjustment, 7 mm thick. | 4 | DS 453-05 | Brake cylinder complete. Since August 1961.(R. VI). | 2 | 438.157 | Retaining cap for brake shoe thrust spring, internal diameter 19 mm (R. II). | 4 |
| DS 451-19 | Brake shoe, front, left-hand, lining 175 mm long.(R. VI). | 1 | DM 453-20 | Brake cylinder only, internal diameter 16.5 mm. Until August 1961. (R. VI). | 2 | 619.051 | Washer, Belleville type, 9.5 x 27, for brake shoe adjusting cam (R. VI). | 8 |
| | | | DS 453-20 | Brake cylinder only, internal diameter 18 mm. Since August 1961. (R. VI). | 2 | | | |

The numbers underlined indicate new parts which do not appear on the illustration.

PUMP—CONTROL VALVE—ACCUMULATOR—RESERVOIR—SECURITY VALVE—155



154—PUMP—CONTROL VALVE—ACCUMULATOR—RESERVOIR—SECURITY VALVE

| NUMBER | DESCRIPTION | No. OFF | NUMBER | DESCRIPTION | No. OFF | NUMBER | DESCRIPTION | No. OFF |
|------------|---|---------|------------|--|---------|------------|---|---------|
| DS 334-279 | Joint, rubber, for pressure regulator bleed screw, 6.7 x 10.5 x 1.9. | 1 | DM 391-15a | Body for suspension pump (with intermediate piston). Since February 1960. | 1 | DM 391-64 | Roller for suspension pump, 9.04 x 30 x 8. | 1 |
| DM 391-01c | Suspension pump complete (with intermediate piston). Since February 1960. Replaces earlier types. - Until October 1958; order in addition: 1-DM 391-84b, 1-D 392-90, 1-DS 391-161. - October 1958 - February 1960; order in addition: 1-DM 391-84b. | 1 | DM 391-22 | <i>Intermediate support for control valve. Replaced by DM 391-22a.</i> | 1 | DM 391-65a | Plunger for suspension pump (6 holes). | 1 |
| DM 391-02 | Cylinder and piston, paired, for suspension pump. Until February 1960. | 1 | DM 391-51 | Support for control valve on cylinder. | 1 | DM 391-77 | <i>Ring seal, 33 x 38 x 2.45 between seat and cap for suspension pump. Replaced by 4.867-S.</i> | 1 |
| DM 391-02a | Cylinder and piston, paired, for suspension pump, (length of piston 62 mm). Since February 1960. | 1 | DM 391-53 | Pin for suspension pump roller, 9 mm diameter x 23 mm long. | 1 | | Shim for adjustment of pressure regulator thrust spring: | As nec. |
| DM 391-03c | <i>Pressure regulator with nut for tightening cap. Since December 1960. Replaced earlier type for type fitted until October 1958; order in addition: 1-DM 391-84a, 1-DS 391-161, 1-D 392-90, 1-484-S. Replaced by DV 391-03a; order in addition: 1-DM 391-22a, 1-4.868-S.</i> | 1 | DM 391-57 | Connection on suspension pump for overflow return, threaded 10 diameter x 100 pitch, 25 mm long. Since February 1960. | 1 | D 391-78 | 0.1 mm thick. | |
| DS 391-03b | <i>Pressure regulator (assisted steering). Replaced by DX 391-03b; order in addition: 1-DM 391-22a, 1-4.868-S.</i> | 1 | DM 391-58 | <i>Nut for tightening cap of control valve, threaded 59 diameter x 150 pitch, (without groove marking). Until November 1963. Replaced by DM 391-58a.</i> | 1 | D 391-78a | 0.2 mm thick. | |
| DM 391-4 | Return spring for suspension pump piston, internal diameter 23.75. | 1 | DM 391-58a | Nut for tightening cap of control valve, threaded 59 x 150 pitch. Diameter of hole for screw securing pressure regulator 8.5 mm (without groove marking). Since November 1963. | 1 | D 391-78b | 0.5 mm thick. | |
| DM 391-5 | Valve for suspension pump. | 1 | | Adjusting washer for control valve, 20 x 34. | As nec. | DS 391-80 | Retaining plate for pressure regulator ball. | 1 |
| D 391-10 | Spring for control valve, external diameter 34 mm. | 1 | D 391-59 | 0.25 mm thick. | | D 391-81 | Cup, with ball, for pressure regulator. | 1 |
| DM 391-11 | <i>Cap for control valve, 42 mm diameter, 18.5 mm thick. December 1960 - November 1963. Replaced by DM 391-11a.</i> | 1 | D 391-59a | 1.00 mm thick. | | DM 391-87 | Joint, paper, for suspension pump, 2 holes 62 mm between centres (R. VI). | 2 |
| DM 391-11a | Cap for control valve, 42 mm diameter x 16.5 mm thick (without groove marking). Since November 1963. | 1 | DM 391-60 | Flexible pipe for suspension pump overflow return, 7 x 9, length 240 mm (R. VI). Since February 1960. | 1 | | Distance piece for suspension pump: | As nec. |
| DM 391-15 | Body for suspension pump. Until February 1960. | 1 | DM 391-61b | Cap for suspension pump (hole for pressure outlet 6.45 mm). Since October 1958. Replaces earlier type; order in addition: 1-DM 391-84a, 1-D 392-90, 1-DS 391-161. | 1 | DM 391-90a | 13.91 mm thick. | |
| | | | DM 391-62 | Seat for suspension pump, 9 x 38 x 11. | 1 | DM 391-90b | 13.77 mm thick. | |
| | | | | | | DM 391-90c | 13.63 mm thick. | |
| | | | | | | DM 391-90d | 13.49 mm thick. | |
| | | | | | | DM 391-90e | 13.35 mm thick. | |
| | | | | | | DM 391-90f | 13.21 mm thick. | |
| | | | | | | DM 391-90g | 13.07 mm thick. | |
| | | | | | | D 391-93 | Joint, rubber, lower, 38.6 x 44 x 4.5 for pressure regulator. Until December 1960. | 1 |
| | | | | | | DS 391-94 | Clip securing pressure regulator, 58 mm diameter. Since February 1959. | 1 |
| | | | | | | DM 391-96 | Bleed screw for pressure regulator. | 1 |
| | | | | | | DM 391-98 | Cup for suspension pump return spring, 8.5 x 29.5 x 5. Until February 1960. | 1 |
| | | | | | | DM 391-98a | Cup for suspension pump return spring, 8.5 x 29.5 x 7. Since February 1960. | 1 |

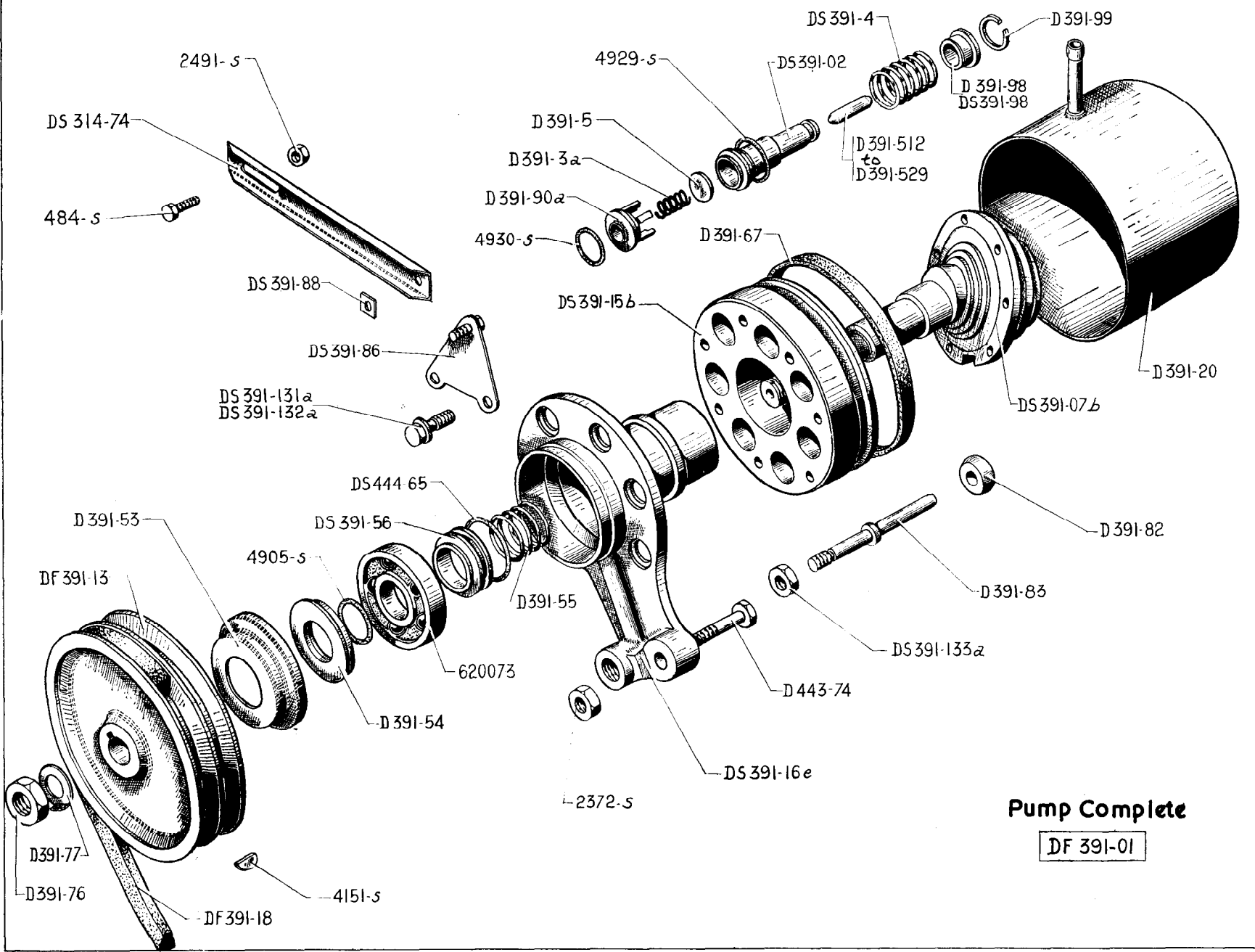
PUMP-CONTROL VALVE-ACCUMULATOR-RESERVOIR-SECURITY VALVE-157

| NUMBER | DESCRIPTION | No. OFF | NUMBER | DESCRIPTION | No. OFF | NUMBER | DESCRIPTION | No. OFF |
|------------|---|---------|-----------|--|---------|-------------|---|---------|
| D 391-99 | Circlip for suspension pump, diameter of wire 1 mm. | 1 | DS 393-4 | Filter complete with reservoir, with nylon filter tube. | 1 | DM 453-028 | Security valve with pressure contact. Since August 1961. | 1 |
| | Shim for adjustment of suspension pump: | As nec. | DS 393-22 | Filter tube, only, for reservoir (R. VI). | 1 | D 453-15 | Circlip for valve of security valve. Since August 1961. | 1 |
| DM 391-153 | 0.05 mm thick. | | DM 393-23 | Cap for reservoir with filter (R. VI). Export. Since June 1960. | 1 | DS 453-19 | Ring seal, 37 x 44 x 3.5, for filter tube. | 1 |
| DM 391-154 | 0.10 mm thick. | | | | | DM 453-130 | Spring for valve of security valve, external diameter 12 mm, 10 coils, Since August 1961. | 1 |
| DM 391-155 | 0.15 mm thick. | | DS 393-61 | Spring for filter tube (R. VI). | 1 | | Thrust washer for security valve spring. Since August 1961. | As nec. |
| DM 391-156 | 0.20 mm thick. | | D 393-69 | Plunger for distribution unit, 5 x 8.5. Until August 1961. | 2 | DM 453-147 | 6.4 x 12 x 2.9. | |
| DS 391-161 | Reduction bush for mounting, 6.35 mm pipe between pump and pressure regulator (assembly with lining D 392-90). | As nec. | D 393-75 | Strap, 15 x 539, securing reservoir. | 2 | DM 453-147a | 6.4 x 12 x 3.8. | |
| D 392-01 | Main accumulator. Until August 1961. | 1 | DS 393-85 | Sealing washer for reservoir filter, 35 x 40 x 5 (R. VI). | 1 | DM 453-147b | 6.4 x 12 x 4.7. | |
| DM 392-01 | Main accumulator, blue marking 40 kg. Since August 1961. | 1 | DM 393-87 | Distance piece for distribution unit, 5.5 x 16 x 8. Until August 1961. | 2 | DM 453-165 | Cap for security valve, threaded 18 diameter x 150 pitch. Since August 1961. | 1 |
| DM 393-02 | Reservoir complete for pump. Until February 1958. | 1 | D 393-90 | Joint for cap on distribution unit, 16 x 18.8 x 2. Until August 1961. | 2 | 83-S | Screw, countersunk head, 4 x 10, for pressure regulator rod (R. III). | 1 |
| DM 393-02a | Reservoir for suspension pump (1 pipe for brake return at the upper part). February 1958 - June 1961. | 1 | D 393-92 | Spring for distribution unit, internal diameter 7.2 mm. Until August 1961. | 2 | 135-S | Screw, round head, 5 diameter x 40 long, securing reservoir (R. III). | 2 |
| DM 393-02c | Reservoir for suspension pump (3 pipes at the lower part). - inscription in 4 languages. June 1961 - August 1961. | 1 | D 393-93 | Cap for distribution unit, threaded 16 diameter x 150 pitch. | 2 | 482-S | Screw, hex. head, 7 diameter x 12.5 long, securing pressure regulator (R. III). Until December 1960. | 2 |
| DM 393-02h | Reservoir for suspension pump (4 pipes at the lower part). - inscription in 4 languages. Since August 1961. | 1 | D 393-97 | Packing for reservoir (felt) 215 mm long, 15 mm wide. Until June 1964. | 2 | 484-S | Screw, hex. head, 7 diameter x 17.5 long (R. III) securing: - intermediate support for pressure regulator on support on cylinder. - pressure regulator on support. December 1960 - November 1963. | 1 |
| DM 393-03 | Distribution unit. Until August 1961. | 1 | D 433-90 | Joint, rubber, 36 x 40 x 3.7, between control valve and accumulator. | 1 | 485-S | Screw, hex. head, 7 diameter x 20 long (R. III) for clip on pressure regulator for regulator on bracket. Since November 1963. | 1 |
| D 393-2 | Gauge tube on reservoir, nylon, 173 mm long (R. VI). | 1 | DS 444-63 | Ring seal, 27.7 x 33.1 x 2.7, between seat and suspension pump cylinder (R. VI). | 1 | | | 2 |
| DS 393-3 | Filter element, only, for reservoir 224 mm high (R. VI). | 1 | DS 444-75 | Ring seal, 24.5 x 29.9 x 2.7, between cylinder and suspension pump body (R. VI). | 1 | | | 1 |

158-PUMP CONTROL VALVE-ACCUMULATOR-RESERVOIR-SECURITY VALVE

| NUMBER | DESCRIPTION | No. OFF | NUMBER | DESCRIPTION | No. OFF | NUMBER | DESCRIPTION | No. OFF |
|---------|--|---------|----------------|--|---------|---------|---|---------|
| 487-S | Screw, hex. head, 7 diameter x 25 long, securing cap for suspension pump (R. III). | 3 | 2.714-S | Ball, 9.52 mm diameter for distribution unit (R. VI). Until August 1961. | 2 | 355.297 | <i>Clips securing pressure regulator 14 mm wide, diameter 56 mm (R. II). Until February 1959. No longer supplied.</i> | 1 |
| 489-S | Screw, hex. head, 7 diameter x 30 long, for pressure regulator clip (R. III). Since February 1959. | 1 | 4.113-S | Ball, 7.5 mm diameter for pressure regulator bleed screw (R. VI). | 1 | 355.874 | Joint, rubber, 5 x 11 x 30, for reservoir gauge tube (R. II). | 2 |
| 495-S | Screw, hex. head, 7 diameter x 45 long, securing pump on crankcase (R. III). | 2 | 4.903-S | Ring seal, 8.9 x 12.7 x 1.9, for pressure regulator piston (R. VI). | 1 | 355.876 | Cap for reservoir, diameter of hole 1.6 mm (R. VI). | 1 |
| 842-S | Screw, hex. head, 10 diameter x 15 long, securing support for pressure regulator on cylinder (R. III). | 1 | 4.929-S | Ring seal, 18.7 x 22.5 x 1.9, for security valve cap (R. VI). August 1961 - July 1964. | 1 | 457.403 | Spring for suspension pump valve, external diameter 10 and 15.5 (R. II). | 1 |
| 2.319-S | Nut, hex., 5 diameter x 75 pitch, securing reservoir (R. III). | 2 | 4.938-S | Ring seal, 12.1 x 15.9 x 1.9, between pressure switch and security valve (R. VI). Since August 1961. | 1 | 550.886 | Joint, rubber, 34 x 45, for reservoir cap (R. VI). | 1 |
| 2.491-S | Nut, hex., 7 diameter x 100 pitch, securing pressure regulator clip (R. III). | 1 | 4.960-S | Ring seal, 37.5 x 42.4 x 2.45, for pressure regulator cap (R. III). Since December 1960. | 1 | 553.427 | <i>Shouldered cap for pressure regulator, thickness 4.5 mm (R. II). Until December 1960. No longer supplied.</i> | 1 |
| 2.707-S | Ball, 6 mm diameter for pressure regulator (for opening from pump to sphere). (R. VI). | 1 | <u>4.986-S</u> | Ring seal, 18.7 x 22.5 x 1.9, for safety valve cap (R. III). Since July 1964. | 1 | 617.010 | Pin, 11 x 23, securing suspension pump (R. VI). | 2 |
| | | | 89.156 | Screw, hex. head, 5 diameter x 40 long, securing distribution unit (R. III). Until August 1961. | 2 | | | |

160—SUSPENSION PUMP (ASSISTED STEERING)



Pump Complete

DF 391-01

HIGH PRESSURE PUMP (ASSISTED STEERING)—161

| NUMBER | DESCRIPTION | No. OFF | NUMBER | DESCRIPTION | No. OFF | NUMBER | DESCRIPTION | No. OFF |
|-------------------|--|---------|-------------------|---|---------|-------------------|--|---------|
| DS 314-74 | Stay for pump, 180 mm long. Until June 1965. Replaced by DX 391-74. | 1 | DS 391-16e | Bearing for pump shaft. Until September 1964. Replaced by DX 391-16; order in addition: 1-DS 391-21a; 1-DS 391-103. | 1 | <u>DS 391-82</u> | Ball for locking finger, internal diameter 7 mm x 9 mm thick. Since September 1964. | 1 |
| DF 391-01 | High pressure pump complete. Until September 1964. Replaced by DVF 391-01; order in addition: 1-DS 391-103. | 1 | <u>DX 391-16</u> | Bearing for high pressure pump shaft (1 fixing hole 9 mm diameter x 32.5 mm high). Since June 1965. | 1 | D 391-83 | Locking finger, 7 mm diameter, 84.5 mm long. | 1 |
| <u>DF 391-01b</u> | High pressure pump complete. September 1964 - June 1965. Replaced by DVF 391-01; order in addition: 1-DS 391-103. | 1 | DF 391-18 | Belt for pump (R. VI). | 2 | DS 391-86 | Plate locking pump stay (straight shape). | 1 |
| <u>DVF 391-01</u> | High pressure pump complete (double groove pulley), with inclined inlet pipe. Since June 1965. | 1 | D 391-20 | Cover for pump. Until June 1965. Replaced by Lx 391-20. | 1 | DS 391-88 | Thrust plate for pump stay, 15 x 15 x 3. Until June 1965. Replaced by DX 391-88. | 2 |
| DS 391-02 | Cylinders and piston. | 7 | <u>DX 391-20</u> | High pressure pump cover with inclined inlet pipe. Since June 1965. | 1 | <u>DX 391-88</u> | Thrust plate for pump stay, 15 x 15 x 3, 1 hole 8.5 mm diameter. Since June 1965. | 2 |
| DS 391-07b | Shaft with bearing. | 1 | <u>DS 391-21a</u> | Needle roller bearing, 17.6 x 28 x 16. Since September 1964. | 1 | D 391-90a | Distance piece for cylinder, internal diameter 8 mm, external diameter 21 mm. | 7 |
| D 391-3a | Spring for valve, external diameter 8 mm. | 7 | D 391-53 | Closing cup, 21.5 x 55.5. | 1 | D 391-98 | Cup for piston spring, internal diameter 8.5 mm, external diameter 21 mm. Until March 1963. Replaced by: DS 391-98; order in addition: 1-DS 391-4. | 7 |
| DS 391-4 | Return spring for piston, 21.35 mm outside diameter. Since March 1963. Replaces earlier model. Order in addition: DS 391-98. | 7 | D 391-54 | Deflector for pump, 21.1 x 44 x 5.4. | 1 | DS 391-98 | Cup for piston spring, internal diameter 8.5 mm x 21 mm external diameter. Since March 1963. | 7 |
| D 391-5 | Valve for pump, thickness 1.2 mm, diameter 13 mm. | 7 | D 391-55 | Spring retaining bush, external diameter 22.5 mm. | 1 | D 391-99 | Circlip (diameter of wire 1 mm). | 7 |
| DF 391-13 | Pulley for pump, 2 grooves, external diameter 106 mm. | 1 | DS 391-56 | Joint for pump, 18 x 27 x 9. | 1 | <u>DS 391-103</u> | Screw, 9 x 125, for securing pump to gearbox housing, (length under head 65 mm). L. H. steering. Since June 1965. | 1 |
| DS 391-15b | Body for pump, internal diameter 33 mm. Until April 1965. Replaced by DS 391-15d; order in addition: 1-4.985-S. | 1 | D 391-67 | Sealing joint, rubber, between body and cover, 80 x 84.5 x 3.4. Until April 1965. | 1 | <u>DX 391-103</u> | Screw, 9 x 125, for securing pump to gearbox housing, (length under head 82 mm). R. H. steering. Since June 1965. | 1 |
| <u>DS 391-15d</u> | Pump body, (arrangement with cover seal by ring seal.) Since April 1965. | 1 | <u>DX 391-74</u> | Stay for high pressure pump, 1 hole 8.5 diameter, 180 mm long. Since June 1965. | 1 | DS 391-131a | Screw, hex. head, 8 diameter x 25 long, securing bearing. | 4 |
| <u>DS 391-16c</u> | Bearing for pump shaft (arrangement with needle roller bearing). September 1964 - June 1965. Replaced by DX 391-16; order in addition: 1-DS 391-103. | 1 | D 391-76 | Nut, hex., 12 diameter x 125 pitch, for pulley (R. VI). | 1 | DS 391-132a | Screw, hex. head, 8 diameter x 23 long, securing bearing. | 2 |
| | | | D 391-77 | Lockplate for pulley nut, 12.2 mm diameter. | 1 | DS 391-133a | Nut, hex., 8 diameter x 100 pitch, securing 1 bearing. Catalogue No. 470 - January 1967. | 1 |
| | | | D 391-82 | Ball for locking finger, internal diameter 7 mm x 9 mm thick. Until September 1964. Replaced by: DS 391-82. | 1 | | | |

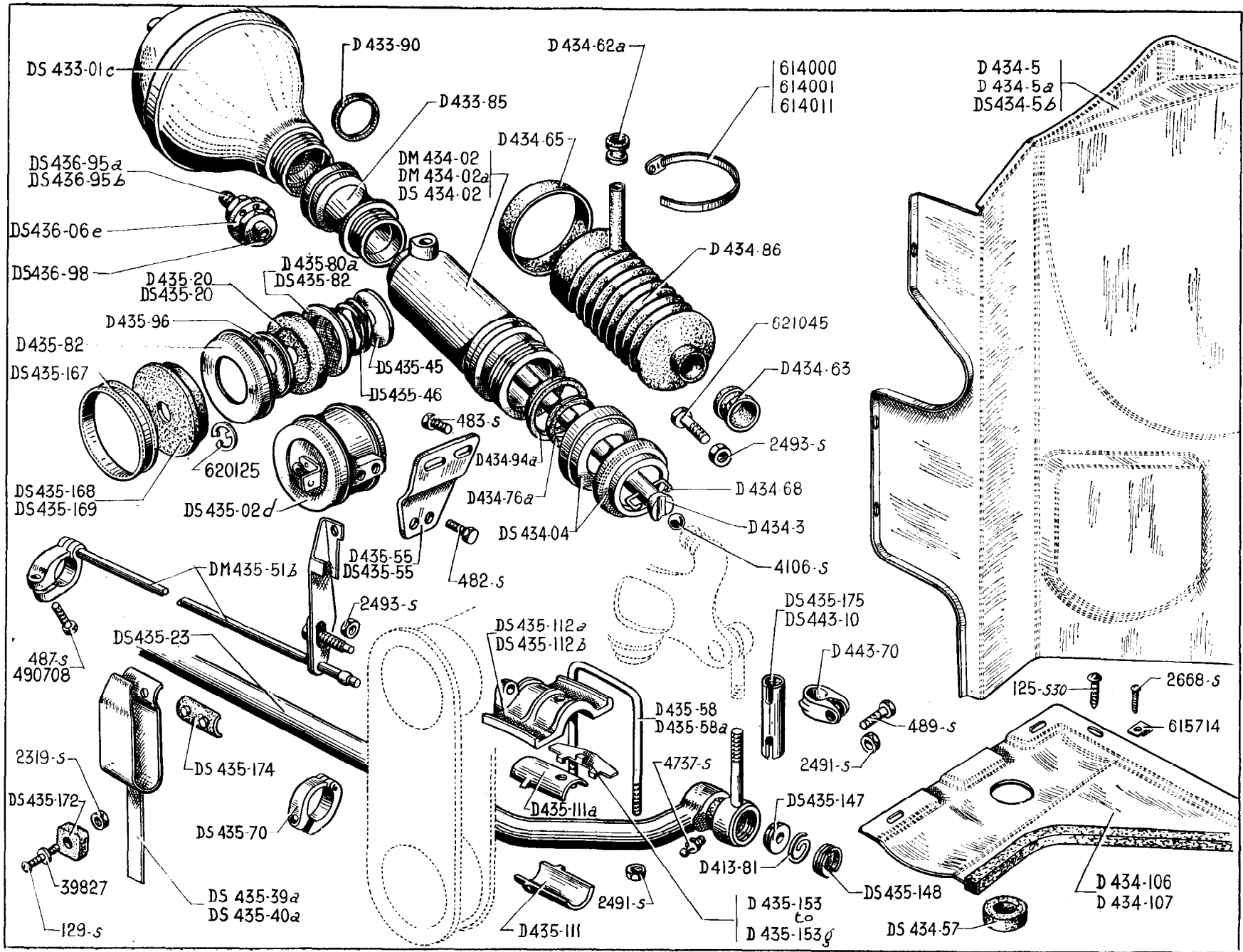
The numbers underlined indicate new parts which do not appear on the illustration.

SUSPENSION PUMP (ASSISTED STEERING) - 161A

| NUMBER | DESCRIPTION | No. OFF | NUMBER | DESCRIPTION | No. OFF | NUMBER | DESCRIPTION | No. OFF |
|-----------|-----------------------|---------|-----------|---|---------|----------------|--|---------|
| | Piston rod for pump : | 7 | | | | | | |
| D 391-512 | 28.8 mm long. | | D 443-74 | Screw, 9 diameter x 50 long, securing pump. Until June 1965. | 1 | <u>4.929-S</u> | <i>Ring seal, 18.7 x 22.5 x 1.9, for cylinders (R. VI). Until September 1964. Replaced by 4.987-S.</i> | 7 |
| D 391-513 | 28.9 mm long. | | DS 444-63 | Ring seal, 27.7 x 33.1 x 2.7, between body and pump bearing (R. VI). | 1 | 4.930-S | <i>Ring seal, 15.7 x 21.1 x 2.7, for pump (R. VI). Until September 1964. Replaced by 4.987-S.</i> | 7 |
| D 391-514 | 29 mm long. | | DS 444-65 | Ring seal, 21.3 x 28.5 x 3.6, on bush between bearing and pump body. | 1 | <u>4.983-S</u> | Ring seal, 12.1 x 17.5 x 2.7, between deflector and pump shaft (R. III). Since September 1964. | 1 |
| D 391-515 | 29.1 mm long. | | 484-S | Screw, hex. head, 7 diameter x 17.5 long, securing pump tie-rod (R. III). | 1 | <u>4.985-S</u> | Ring seal, 90 x 96 x 3, between cover and high pressure pump body (R. VI). Since April 1965. | 1 |
| D 391-516 | 29.2 mm long. | | 2.372-S | Nut, hex., 9 diameter x 125 pitch, securing pump (R. III). | 1 | <u>4.986-S</u> | Ring seal, 18.7 x 22.5 x 1.9 for cylinders (R. III). Since September 1964. | 7 |
| D 391-517 | 29.3 mm long. | | 2.491-S | Nut, hex., 7 diameter x 100 pitch, securing pump tie-rod (R. III). | 1 | <u>4.987-S</u> | Ring seal, 15.7 x 21.1 x 2.7, for pump (R. III). Since September 1964. | 7 |
| D 391-518 | 29.4 mm long. | | 4.151-S | Key, Woodruff, 3 x 3.7 x 10, for pump pulley (R. III). | 1 | 620.073 | Ball bearing, 12 x 50 x 16 (R. VI). | 1 |
| D 391-519 | 29.5 mm long. | | 4.905-S | Ring seal, 12.1 x 17.5 x 2.7, between deflector and pump shaft (R. VI). Until September 1964. | 1 | | | |
| D 391-520 | 29.6 mm long. | | | | | | | |
| D 391-521 | 29.7 mm long. | | | | | | | |
| D 391-522 | 29.8 mm long. | | | | | | | |
| D 391-523 | 29.9 mm long. | | | | | | | |
| D 391-524 | 30 mm long. | | | | | | | |
| D 391-525 | 30.1 mm long. | | | | | | | |
| D 391-526 | 30.2 mm long. | | | | | | | |
| D 391-527 | 30.3 mm long. | | | | | | | |
| D 391-528 | 30.4 mm long. | | | | | | | |
| D 391-529 | 30.5 mm long. | | | | | | | |

The numbers underlined indicate new parts which do not appear on the illustration.

164—FRONT SUSPENSION—CYLINDERS—CORRECTOR—ANTI-ROLL BARS



162—FRONT SUSPENSION—CYLINDERS—CORRECTOR—ANTI-ROLL BARS

| NUMBER | DESCRIPTION | No. OFF | NUMBER | DESCRIPTION | No. OFF | NUMBER | DESCRIPTION | No. OFF |
|------------|---|---------|--------------------|---|---------|-------------------|--|---------|
| D 413-81 | Spring for anti-roll bar ball pin, external diameter 25.5. | 2 | DS 434-57 | Sealing washer, rubber, for suspension mechanism shield, 20 x 44 x 13. | 2 | D 435-20 | Diaphragm for corrector, external diameter 54 mm. Until July 1962. | 2 |
| DS 433-01c | Suspension sphere (without damper). | 2 | D 434-62a | Protective bush under clip on return from cylinder to reservoir, internal diameter 11.5 mm. | 2 | DS 435-20 | Diaphragm for height corrector, 3 mm hole on 6.2 mm length. Since July 1962. | 2 |
| D 433-85 | Sleeve for suspension sphere, left-hand, threaded 36 diameter x 150 pitch. | 1 | D 434-63 | Protective bush under clip on rubber dust cover on cylinder (control lever side), internal diameter 25 mm. | 2 | DS 435-23 | Anti-roll bar with end piece: 1 threaded 14 diameter x 125 right-hand pitch and 1 threaded 14 diameter x 125 left-hand pitch. Since February 1962. Replaces earlier type. Order in addition: 1-DS 435-175. | 1 |
| D 433-90 | Joint, rubber, 36 x 40 x 3.7, between cylinder and suspension sphere. | 3 | D 434-65 | Flexible protective ring under clip securing cylinder rubber dust cover (cylinder end). | 2 | <u>DS 435-39a</u> | Spring, anti-rattle, left-hand for anti-roll bar. May 1958 - July 1965. | 1 |
| DM 434-02 | Suspension cylinder, left-hand. Until July 1960. | 1 | D 434-68 | Pin connecting cylinder piston rod with lever (wire diameter 2 mm). | 2 | <u>DX 435-39a</u> | Anti-rattle spring for anti-roll bar, (length of fixing clip 125 mm). Since July 1965. | 2 |
| DM 434-02a | Suspension cylinder, right-hand. | 1 | D 434-76a | Sealing washer, felt, for suspension cylinder, 34.5 x 46.5 x 6. | 2 | DS 435-40a | Spring, anti-rattle, right-hand for anti-roll bar. May 1958 - July 1965. | 1 |
| DS 434-02 | Suspension cylinder, left-hand. Since July 1960. | 1 | D 434-86 | Dust cover, rubber, for cylinder, internal diameter 19 x 52 mm. | 2 | DS 435-45 | Valve for height corrector, 5.85 x 25 x 0.20 (R. VI). Since July 1962. | 2 |
| DS 434-04 | Nut, 54 diameter x 150 pitch, with cup and joint for suspension cylinder. | 2 | D 434-94a | Sealing joint for cylinder (34.4 x 44.5). | 2 | DS 435-46 | Spring for height corrector valve (3 coils), internal diameter 21.5 mm. Since July 1962. | 2 |
| D 434-3 | Piston rod with pin. | 2 | D 434-106 | Shield for suspension mechanism, left-hand (lower part). Until October 1964. Replaced by: DS 434-106a. | 1 | DM 435-51b | Control rod complete for height corrector. Until July 1965. | 1 |
| D 434-5 | Shield for suspension mechanism, left-hand (lateral part). Until October 1964. Replaced by: DS 434-5c. | 1 | <u>DS 434-106a</u> | Shield, for suspension mechanism, left-hand, (lower part) fitting with wide tread tyres. October 1964 - July 1965. | 1 | <u>DX 435-51</u> | Control rod, complete, for corrector (control lever of corrector 4 mm thick). Since July 1965. | 1 |
| D 434-5a | Shield for suspension mechanism, right-hand (lateral part). Until October 1964. Replaced by: DS 434-5d. | 1 | DX 434-106 | Shield for suspension mechanism, left-hand (lower part). Since July 1965. | 1 | D 435-55 | Support for corrector, 2 slots 7.75 mm. Until April 1959. | 1 |
| DS 434-5b | Shield for suspension mechanism, right-hand. Right-hand steering. October 1962 - October 1964. | 1 | D 434-107 | Shield for suspension mechanism, right-hand (lower part). Until October 1964. Replaced by: DS 434-107a. | 1 | DS 435-55 | Support for corrector, 2 holes 7.75 mm at 36 mm between centres. April 1959 - July 1965. | 1 |
| DS 434-5c | Shield for suspension mechanism, left-hand, (lateral part). (Fitting with tyres with wide tread). October 1964 - July 1965. | 1 | <u>DS 434-107a</u> | Shield, for suspension mechanism, right-hand, (lower part) fitting with wide tread tyres. October 1964 - July 1965. | 1 | <u>DX 435-55</u> | Support for front corrector, (2 fixing holes on arm bracket, 46.9 mm between centres). Since July 1965. | 1 |
| DS 434-5d | Shield for suspension mechanism, right-hand, (lateral part). (Fitting with tyres with wide treads). L. H. steering. October 1964 - July 1965. | 1 | DX 434-107 | Shield for suspension mechanism, right-hand (lower part). Since July 1965. | 1 | D 435-58 | "U" bolt, front for securing anti-roll bar bearing, 72 mm between centres. | 2 |
| DS 434-5e | Shield for suspension mechanism, right-hand, (fitting with wide tread tyres). R. H. steering. October 1964 - July 1965. | 1 | DS 435-02d | Height corrector with quick return. Since July 1962. Replaces earlier types. | 1 | D 435-58a | "U" bolt, rear, for securing anti-roll bar bearing, 83 mm between centres. | 2 |
| DX 434-5a | Shield for suspension mechanism, left-hand (lateral part). Since July 1965. | 1 | | | | | | |
| DX 434-5b | Shield for suspension mechanism, right-hand (lateral part). Since July 1965. | 1 | | | | | | |

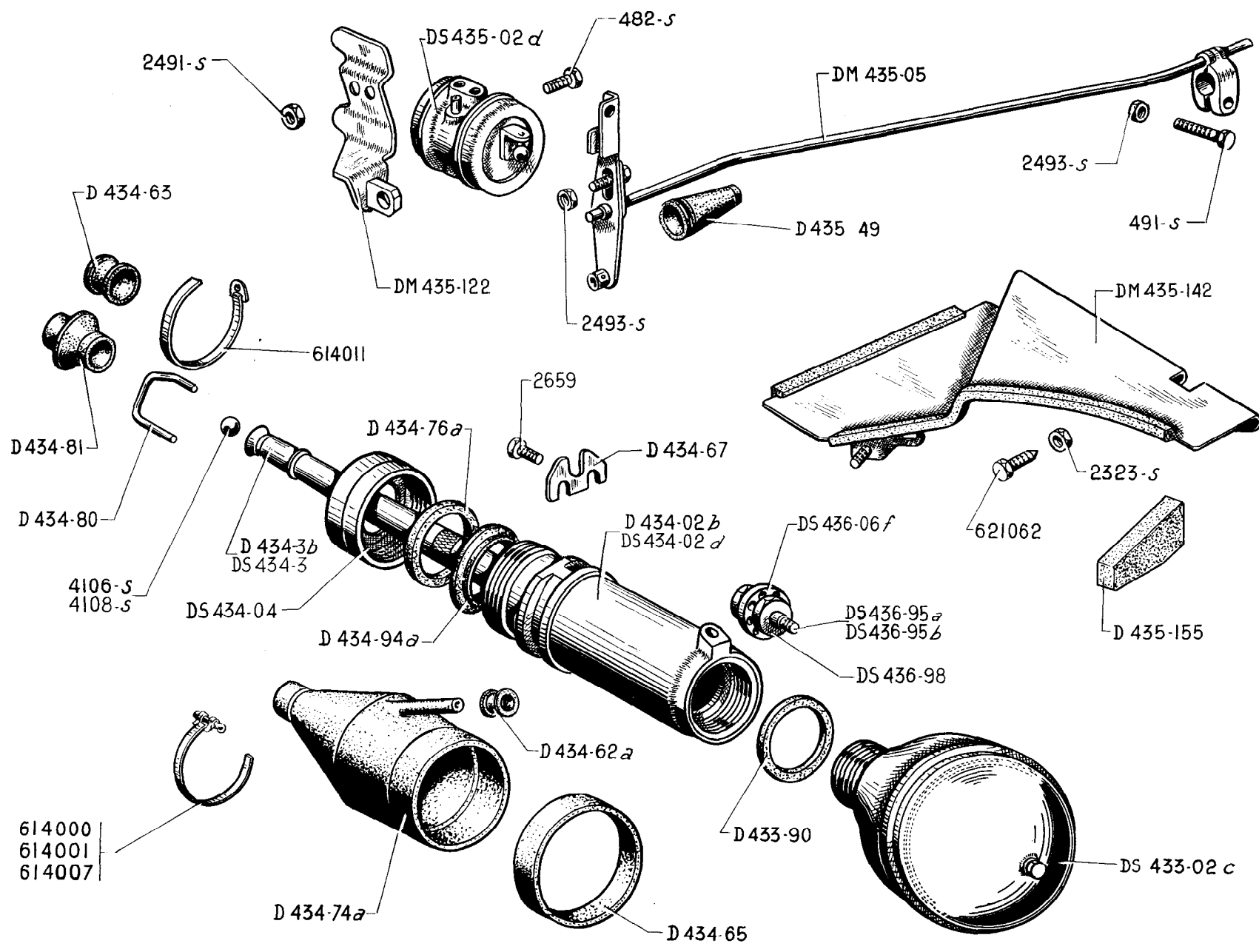
FRONT SUSPENSION—CYLINDERS—CORRECTOR—ANTI-ROLL BARS—165

| NUMBER | DESCRIPTION | No. OFF | NUMBER | DESCRIPTION | No. OFF | NUMBER | DESCRIPTION | No. OFF |
|------------------|---|---------|--------------------|--|---------|-------------------|--|---------|
| DS 435-46 | Spring for height corrector valve (3 coils), internal diameter 21.5 mm. Since July 1962. | 2 | D 435-111 | Half bearing, lower, for anti-roll bar (nylon), length 54 mm (R. VI). Until July 1965. | 2 | DS 435-168 | Sealing cap, rubber, for corrector (nut end), diameter 49 x 63. Since February 1960. | 1 |
| DM 435-51b | Control rod complete for height corrector. Until July 1965. | 1 | D 435-111a | Half bearing upper, for anti-roll bar (nylon), length 52 mm (R. VI). Until July 1965. | 2 | DS 435-169 | Sealing cap, rubber, for corrector (bearing end), diameter 49 x 63, 1 hole 8 mm diameter. Since February 1960. | 1 |
| <u>DX 435-51</u> | <i>Control rod, complete for height corrector (control lever of corrector 4 mm thick). Since July 1965. Replaced by DX 435-51a.</i> | 1 | <u>DX 435-111</u> | Half bearing, lower, for anti-roll bar (nylon), (2 internal grooves) (R. VI). Since July 1965. | 2 | DS 435-172 | Buffer, rubber, lateral for anti-rattle spring, 5.5 x 27 x 12. Since May 1958. | 2 |
| D 435-55 | Support for corrector, 2 slots 7.75 mm. Until April 1959. | 1 | <u>DX 435-111a</u> | Half bearing, upper, for anti-roll bar (nylon), (2 internal grooves, 2 holes, 3 mm diameter) (R. VI). Since July 1965. | 2 | DS 435-174 | Nylon bush for anti-rattle spring, 65 mm long (R. VI). May 1958 - July 1965. | 2 |
| DS 435-55 | Support for corrector, 2 holes 7.75 mm at 36 mm between centres. April 1959 - July 1965. | 1 | DS 435-112a | <i>Bearing cap for anti-roll bar, right-hand with bearing and dowel. Until July 1965. Replaced by DX 435-112a.</i> | 1 | <u>DX 435-174</u> | Nylon bush for anti-rattle spring, for anti-roll bar, (2 dowels 7.85 mm diameter x 4 mm high (R. VI). Since July 1965. | 2 |
| <u>DX 435-55</u> | Support for front corrector, (2 fixing holes on arm bracket, 46.9 mm between centres). Since July 1965. | 1 | DS 435-112b | <i>Bearing cap for anti-roll bar, left-hand, with bearing and dowel. Until July 1965. Replaced by DX 435-112.</i> | 1 | DS 435-175 | Coupling sleeve for anti-roll bar, right-hand threaded 14 diameter x 125 right-hand pitch, length 61.5 mm. Since February 1962. | 1 |
| D 435-58 | "U" bolt, front, for securing anti-roll bar bearing, 72 mm between centres. | 2 | <u>DX 435-112</u> | Bearing cap for anti-roll bar, left-hand, with bearing and dowel (with lubricator). Since July 1965. | 1 | DS 436-06e | Damper (with exhaust hole) without mark. Since April 1963. Replaces earlier types. | 2 |
| D 435-58a | "U" bolt, rear, for securing anti-roll bar bearing, 83 mm between centres. | 2 | <u>DX 435-112a</u> | Bearing cap for anti-roll bar, right-hand, with bearing and dowel (with lubricator). Since July 1965. | 1 | <u>DS 436-07c</u> | Valve assembly for damper, front, Since April 1963. | 2 |
| DS 435-70. | Collar complete, for anti-roll bar thrust. | 2 | DS 435-147 | Thrust cap for anti-roll bar socket, 26 mm diameter, 5.4 mm thick. | 2 | <u>DS 436-07e</u> | Valve assembly for damper, front (reinforced). Since April 1963. | 2 |
| D 435-80a | Cup for corrector, diameter 5.5 x 37, 5.5 mm thick. Until July 1962. | 2 | DS 435-148 | Nut securing thrust cap in anti-roll bar socket, threaded 30 diameter x 150 pitch. | 2 | DS 436-95a | <i>Stud for damper, 7 diameter x 30.5 mm long. Until April 1963. Replaced by DS 436-95b.</i> | 2 |
| D 435-82 | Cup for corrector, diameter 32 x 58.5, thickness 12.5 mm. February 1960 - July 1962. | 2 | | Shim for adjusting anti-roll bar bearing: | As nec. | DS 436-95b | Spindle for damper, 31 mm threaded 7 x 100, length of plain part 8.9 mm. Since April 1963. | 2 |
| DS 435-82 | Cup, inner, for tightening corrector diaphragm 4.90 mm thick. Since July 1962. | 2 | D 435-153 | 1 mm thick. | | DS 436-98 | Nut, hex., 7 diameter x 100 pitch 8.2 mm thick for damper. | 4 |
| D 435-96. | Cup for corrector, diameter 5 x 36, thickness 1.5 mm. | 2 | D 435-153a | 0.95 mm thick. | | DS 443-10 | Adjustable sleeve for anti-roll bar, threaded 14 diameter x 125 left-hand and right-hand pitch, 80 mm long. Since February 1962. | 2 |
| | | | D 435-153b | 0.90 mm thick. | | D 443-70 | Clip tightening adjustable sleeve for anti-roll bar. | 4 |
| | | | D 435-153c | 0.85 mm thick. | | 125-S 30 | <i>Screw, round head, pointed, 5 diameter x 15 long, securing shield protecting suspension mechanism Replaced by 2.548-S 30.</i> | 14 |
| | | | D 435-153d | 0.80 mm thick. | | | | |
| | | | D 435-153e | 0.75 mm thick. | | | | |
| | | | D 435-153f | 0.70 mm thick. | | | | |
| | | | D 435-153g | 0.65 mm thick. | | | | |
| | | | DS 435-167 | Retaining ring for rubber sealing cap for corrector, external diameter 61 mm. Since February 1960. | 2 | | | |

The numbers underlined indicate new parts which do not appear on the illustration.

FRONT SUSPENSION - CYLINDERS - CORRECTOR - ANTI-ROLL BARS - 165A

| NUMBER | DESCRIPTION | No. OFF | NUMBER | DESCRIPTION | No. OFF | NUMBER | DESCRIPTION | No. OFF |
|---------|---|---------|---------|---|---------|---------|---|---------|
| 2.668-S | *Screw, P.K. round head, 3.5 x 10, securing screen protecting suspension mechanism (R. VI). | 4 | 490.708 | Screw, round head, 7 diameter x 22.5 long, for clip of corrector control rod (R. I). Since November 1958. | 1 | 614.011 | Clip securing cylinder dust cover (control lever side), 240 mm long (R. VI). | 2 |
| 4.106-S | Ball, 14.28 mm diameter for cylinder and piston rod (R. VI). | 2 | 614.000 | Clip securing cylinder dust cover, 474 mm long (R. VI). | 2 | 615.714 | Nut clips, securing protection screen for suspension mechanism (R. VI). | 4 |
| 4.737-S | Greaser for anti-roll bar (R. VI). Since June 1961. | 2 | 614.001 | Clip securing cylinder return to reservoir, 132 mm long (R. VI). | 2 | 620.525 | Circlips for height corrector valve, 5 x 9.85 x 0.6 (R. VI). Since July 1962. | 2 |
| 39.827 | Washer, plain, 5.2 x 20 x 2, for lateral stop for anti-rattle spring (R. IV). Since May 1958. | 2 | | | | 621.045 | Screw, hex. head, 7 diameter x 28 long, securing cylinder (R. II). | 4 |

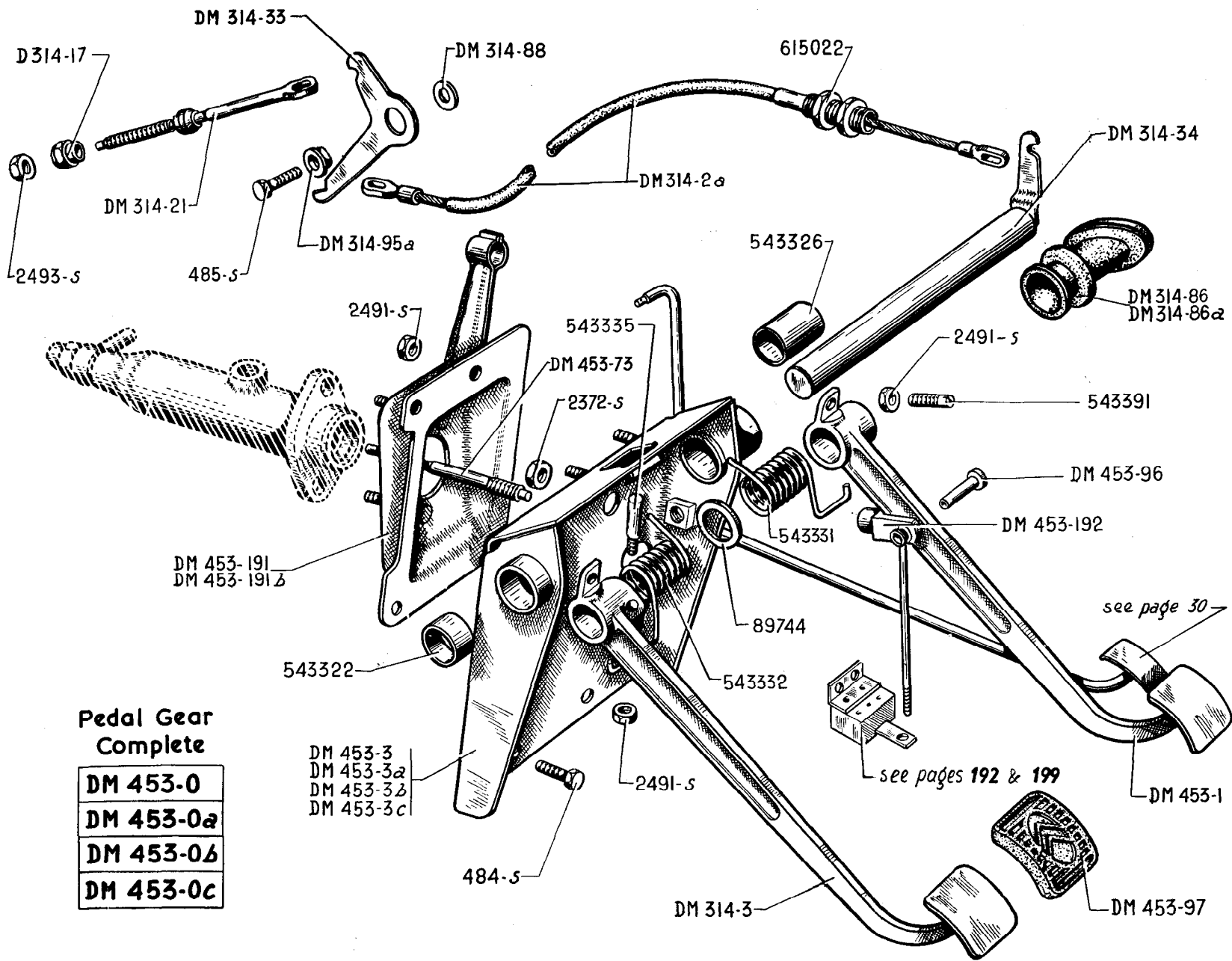


166-REAR SUSPENSION-CYLINDERS-CORRECTOR

| NUMBER | DESCRIPTION | No. OFF | NUMBER | DESCRIPTION | No. OFF | NUMBER | DESCRIPTION | No. OFF |
|------------|---|---------|-------------------|--|---------|---------|---|---------|
| DS 433-02c | Suspension sphere (without damper). | 2 | D 434-94a | Sealing joint for cylinder (34.4 x 44.5). | 2 | 491-S | Screw, hex. head, 7 diameter x 35 long, securing clip on corrector control rod (R. III). | 1 |
| D 433-90 | Joint, rubber, 36 x 40 x 3.7, between cylinder and sphere. | 2 | DS 435-02d | Height corrector with rapid return. Since July 1962. Replaces earlier types. | 1 | 2.323-S | Nut, hex., 5 diameter x 75 pitch, securing corrector protection plate (R. III). | 1 |
| D 434-02b | Suspension cylinder. Until May 1960. | 2 | DM 435-05 | Control rod complete for corrector. | 1 | 2.491-S | Nut, hex., 7 diameter x 100 pitch, securing corrector bracket (R. III). | 2 |
| DS 434-02d | Suspension cylinder (assembled with ball, 15.875 mm diameter). Since May 1960. | 2 | DM 435-122 | Corrector bracket with bearing. | 1 | 2.493-S | Nut, hex., 7 diameter x 100 pitch (R. III) securing: - clip on corrector control rod. - eccentric pin of corrector control. | 1 1 |
| DS 434-04 | Nut, 54 diameter x 150 pitch, with cup and joint for suspension cylinder. | 2 | DM 435-142 | Protection plate for corrector. | 1 | 2.659 | <i>Screw, hex. head, 5 diameter x 13 long, securing plate retaining cylinder (R. III). Replaced by 283-S.</i> | 2 |
| D 434-3b | Rod for suspension piston. Until May 1960. | 2 | D 435-149 | Sealing sleeve on corrector control rod, 6 x 36 x 60. | 1 | 4.106-S | Ball, 14.28 mm diameter for cylinder piston rod (R. VI). Until May 1960. | 2 |
| DS 434-3 | Rod for suspension piston, (arrangement with ball, 15.875 mm diameter). Since May 1960. | 2 | D 435-155 | Sealing pad, rubber, between corrector body and protection plate (R. VI). | 1 | 4.108-S | Ball, 15.875 mm diameter for cylinder piston rod (R. VI). Since May 1960. | 2 |
| D 434-62a | Protective ring under clip on return from cylinder to reservoir, internal diameter 11.5 mm. | 2 | DS 436-06f | Damper, (with exhaust hole) without marking. Since April 1963. Replaces earlier types. | 2 | 614.000 | Clip securing cylinder dust cover, 474 mm long (R. VI). | 2 |
| D 434-63 | Protective ring under clip on piston rod dust cover, internal diameter 25 mm. | 2 | <u>DS 436-07d</u> | Valve set for damper, rear. Since April 1963. | 2 | 614.001 | Clip securing return from cylinder to reservoir, 132 mm long (R. VI). | 2 |
| D 434-65 | Protective ring, flexible, under clip on cylinder dust cover (cylinder end). | 2 | <u>DS 436-07f</u> | Valve set for damper, rear, (reinforced). Since April 1963. | 2 | 614.007 | Clip securing cylinder dust cover, 190 mm long (R. VI). | 2 |
| D 434-67 | Support for suspension cylinder. | 2 | DS 436-95a | Stud, 7 diameter x 30.5 long, for damper. Until April 1963. | 2 | 614.011 | Clip securing piston rod dust cover, 240 mm long (R. VI). | 2 |
| D 434-74a | Dust cover, rubber, for cylinder, internal diameter 52 mm. | 2 | DS 436-95b | Spindle for damper, 31 mm threaded 7 x 100. Length of plain part 8.9 mm. Since April 1963. | 2 | 621.062 | Screw, hex. head, 5 diameter x 14 long, securing corrector protection plate (R. III). | 2 |
| D 434-76a | Sealing washer, felt, for suspension cylinder, 34.5 x 46.5 x 6. | 2 | DS 436-98 | Nut, hex., 7 diameter x 100 pitch, 8.2 mm thick for damper. | 4 | | | |
| D 434-80 | Pin connecting cylinder piston rod with lever, wire diameter 3 mm. | 2 | 482-S | Screw, hex. head, 7 diameter x 12.5 long, securing corrector on its bracket (R. III). | 2 | | | |
| D 434-81 | Dust cover, rubber, for cylinder piston rod. | 2 | | | | | | |

| NUMBER | DESCRIPTION | No. OFF | NUMBER | DESCRIPTION | No. OFF | NUMBER | DESCRIPTION | No. OFF |
|-------------------|---|---------|-------------------|---|---------|------------|---|---------|
| DM 454-06 | Lever for handbrake complete with release handle. Left-hand steering. | 1 | <u>DM 454-24e</u> | Bracket for sheath stop and ratchet on handbrake (fixing centres 125 mm and 69 mm) (1 slot 18.35 x 12.35). L.H. steering. Since July 1965. | 1 | DM 454-103 | Release rod for handbrake. | 1 |
| DM 454-010 | Lever for handbrake complete with release handle. Right-hand steering. | 1 | <u>DM 454-24f</u> | Bracket for sheath stop and ratchet on handbrake (fixing centres 125 mm and 69 mm) (2 slots 18.35 x 12.35). R.H. steering. Since July 1965. | 1 | DM 454-109 | Retaining spring for handbrake ratchet, internal diameter 7.3 mm. | 2 |
| DM 454-1a | Cable for mechanical brake, 910 mm long (R.VI). Left-hand steering. Until July 1962. | 1 | DM 454-27a | Release handle for handbrake. | 1 | DM 454-115 | Clevis pin securing: - handbrake ratchet, 7 x 24. - handbrake cable. | 1 1 |
| DM 454-1b | Cable for mechanical brake, 910 mm long, length of sheath 620 mm. Left-hand steering. Since July 1962. | 1 | DM 454-28 | Spring for handbrake lock, external diameter 8 mm. | 1 | DM 454-119 | Clevis pin for locking handbrake, 6 x 38.5. | 1 |
| DM 454-3 | Lever for handbrake. Left-hand steering. | 1 | DM 454-29 | Lock for handbrake. | 1 | 2.269-S | Nut, hex., 4 diameter x 75 pitch, for adjusting screw of handbrake release rod (R. III). | 1 |
| DM 454-6 | Lever for handbrake. Right-hand steering. | 1 | DM 454-30 | Ratchet for locking handbrake, 10 mm diameter. | 1 | 2.368-S | Nut, hex., castellated, 9 diameter x 125 pitch, securing handbrake lever (R. III). | 1 |
| D 454-16a | Cable for connecting handbrake, 620 mm long (R. VI). | 1 | DM 454-34e | Brake cable with adjustable thrust block. Right-hand steering. Length of sheath 1,245 mm long. Right-hand steering. Until October 1962. | 1 | 2.491-S | Nut, hex., 7 diameter x 100 pitch (R. III): - securing handbrake bracket. - for brake connecting cable. | 3 2 |
| <u>DS 454-16a</u> | Cable for connecting handbrake, ball type, (R. VI). GERMANY. Since October 1963. | 1 | DM 454-34f | Brake cable with adjustable thrust stop, length of sheath 1,215 mm. Right-hand steering. Since October 1962. | 1 | 2.741-S | Screw, round head, P.K. 4.85 x 9.5, securing handbrake protection grommet (R. VI). | 2 |
| DS 454-18 | Adjustable stop for sheath of handbrake cable, threaded 16 diameter x 150 pitch, 50 mm long (R. VI). | 1 | DM 454-52 | Half rod for brake cable, 97 mm long. | 2 | 3.008 | Washer, 6.25 x 12.1 for handbrake locking pin (R. II). | 1 |
| DM 454-24 | Bracket for sheath stop and ratchet on handbrake. LUXE. Until July 1962. | 1 | DM 454-54 | Clevis pin for handbrake release handle, 4 x 23. | 1 | 614.201 | Nut, hex., 16 diameter x 150 pitch, locking adjustable stop (R. II). | 1 |
| DM 454-24a | Bracket for sheath stop and ratchet on handbrake (with angle plate retaining lining). NORMALE. | 1 | DM 454-55 | Distance piece, 9 x 13 x 34, securing handbrake (R. VI). | 1 | 621.057 | Screw, 9 diameter x 50 long, securing handbrake lever (R. II). | 1 |
| DM 454-24c | <i>Bracket for sheath stop and ratchet on handbrake. Length of stop bracket 50 mm. Since January 1965. Replaced by DM 454-24d.</i> | 1 | DM 454-57 | Clevis pin for brake cable rod, 7 x 26.2. | 1 | | | |
| DM 454-24d | Bracket for sheath stop and ratchet on handbrake (2 holes 18 mm diameter without upper slots). Right-hand steering. Until July 1965. Left-hand steering January 1965 - July 1965. | 1 | DM 454-67 | Screw, round head, 4 x 16, for adjusting handbrake release rod. | 1 | | | |
| | | | D 454-76 | End piece for handbrake connecting cable, internal diameter 8.5 mm, 18 mm long. | 2 | | | |
| | | | DS 454-95 | Grommet protecting brake cable (R. VI). | 1 | | | |

The numbers underlined indicate new parts and do not appear on the illustration.



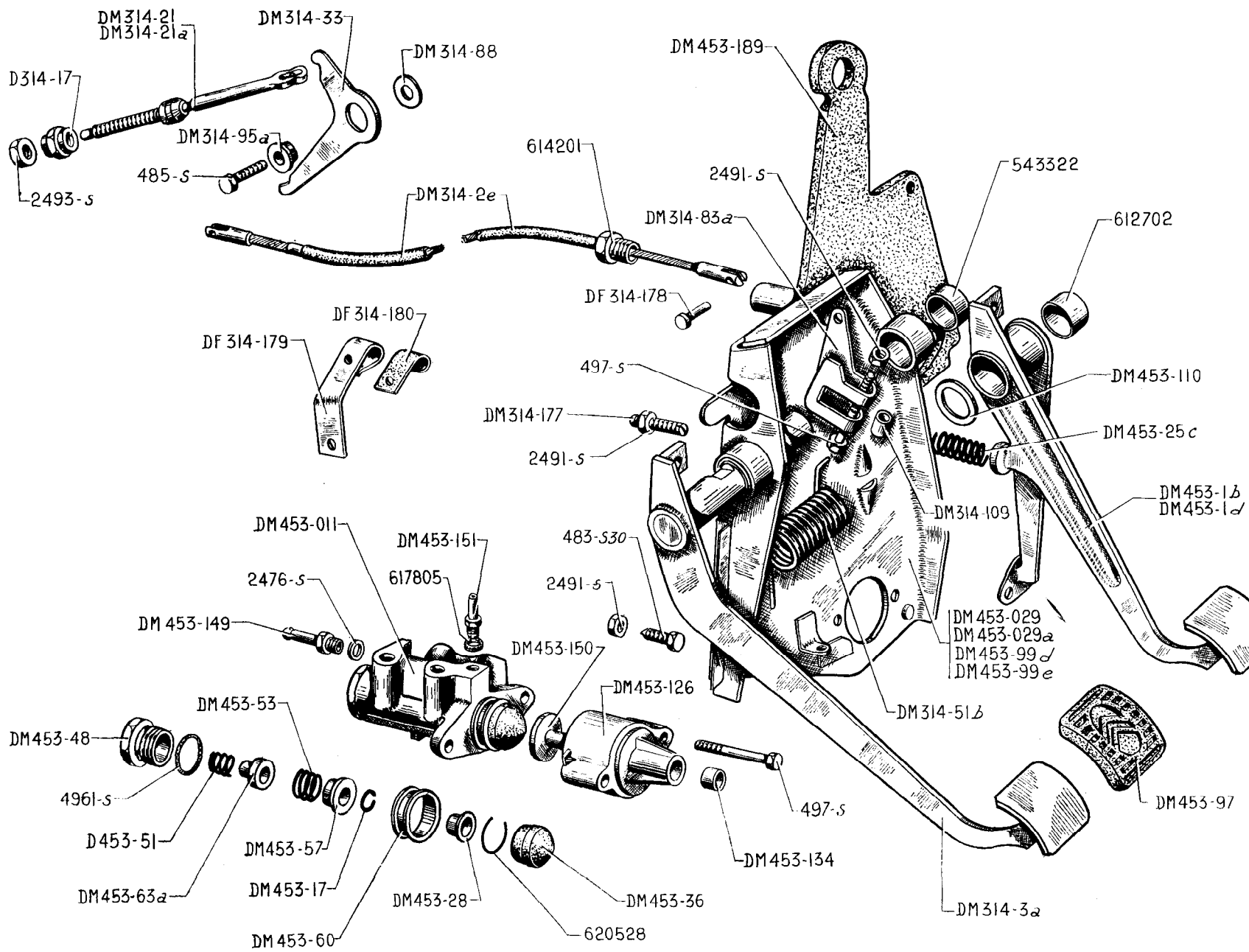
**Pedal Gear
Complete**

- DM 453-0**
- DM 453-0a**
- DM 453-0b**
- DM 453-0c**

170—PEDAL GEAR (LEFT-HAND STEERING)

| NUMBER | DESCRIPTION | No. OFF | NUMBER | DESCRIPTION | No. OFF | NUMBER | DESCRIPTION | No. OFF |
|--------------------------|--|---------|-------------|--|---------|---------|--|---------|
| Until August 1961 | | | DM 453-0c | <i>Pedal gear complete with stop lamp switch, accelerator cable, distance between lower fixing hole centres: 35 and 61 (with beading retaining lining). NORMALE. Since May 1959. No longer supplied.</i> | 1 | 485-S | Screw, hex. head, 7 diameter x 20 mm long, securing control lever for clutch adjustable push-rod (R. III). | 1 |
| DM 314-2a | Clutch cable, 495 mm long (R. VI). | 1 | DM 453-1 | <i>Brake pedal. No longer supplied.</i> | 1 | 2.372-S | Nut, hex., 9 diameter x 125 pitch, locking master cylinder push-rod (R. III). | 1 |
| DM 314-3 | Clutch pedal. | 1 | DM 453-3 | Bracket for brake and clutch pedals, bushed. LUXE. Until May 1959. | 1 | 2.491-S | Nut, hex., 7 diameter x 100 pitch (R. III): - for cotter pin for clutch pedal. - securing master cylinder bracket. | 1 1 |
| D 314-17 | Nut, hex., 7 diameter x 100 pitch, for adjusting clutch withdrawal fork. | 1 | DM 453-3a | <i>Bracket for pedals, bushed (with beading retaining lining). NORMALE. Until May 1959. No longer supplied.</i> | 1 | | - securing master cylinder bracket on pedal gear. - for pedal stop screw. | 2 2 |
| DM 314-21 | <i>Push-rod, adjustable, for clutch, threaded 7 diameter x 100 pitch, 136 mm long. Replaced by DM 314-21a.</i> | 1 | DM 453-3b | Bracket for pedals, bushed, distance between lower fixing hole centres: 35 and 61. LUXE. Since May 1959. | 1 | 2.493-S | Nut, hex., 7 diameter x 100 pitch, locking clutch fork adjusting nut (R. III). | 1 |
| DM 314-33 | <i>Lever controlling adjustable push-rod, distance between centres 72.5 and 42.5. Replaced by DM 314-33a.</i> | 1 | DM 453-3c | <i>Bracket for pedals, bushed, distance between lower fixing hole centres: 35 and 61 (with beading retaining lining). NORMALE. Since May 1959. No longer supplied.</i> | 1 | 89.744 | <i>Washer, 18.5 x 30 x 2, between pedal return springs (R. II). No longer supplied.</i> | 1 |
| DM 314-34 | Shaft for pedals and lever controlling clutch. | 1 | DM 453-73 | Push-rod for master cylinder, threaded 9 diameter x 125 pitch, 135 mm long. | 1 | 543.322 | Bush, 18 x 22 x 17, for pedal bracket (R. VI). | 1 |
| DM 314-86 | Sealing sheath, rubber, for pedal gear, internal diameter 24 mm. Until October 1959. | 1 | DM 453-96 | Pin, 8 mm diameter for master cylinder push-rod. | 1 | 543.326 | Bush, 18 x 22 x 29.5, for pedal bracket (R. VI). | 1 |
| DM 314-86a | Sealing sheath, rubber, for pedal gear, external diameter of the mouthpiece shaped part 44 mm. Since October 1959. | 1 | DM 453-97 | Pad, rubber, for pedals. | 2 | 543.331 | Spring for brake pedal, internal diameter 21 mm, 66 mm long, diameter of wire 3.2 mm, 9 coils wound right-hand (R. II). | 1 |
| DM 314-88 | Thrust washer, 7.2 x 22 x 2, for lever controlling clutch push-rod. | 1 | DM 453-191 | Bracket for master cylinder. Until May 1959. | 1 | 543.332 | Spring for clutch pedal, internal diameter 21 mm, 66 mm long, diameter of wire 3.2 mm, 9 coils wound left-hand (R. II). | 1 |
| DM 314-95a | <i>Bush for lever controlling clutch push-rod. 7.2 x 20 x 6.2. Replaced by DM 314-95b.</i> | 1 | DM 453-191b | <i>Bracket for master cylinder, distance between lower fixing holes 35 mm. Since May 1959. No longer supplied.</i> | 1 | 543.335 | Cotter pin, threaded 7 diameter x 100 pitch, 44 mm long, for clutch pedal (R. II). | 1 |
| DM 453-0 | <i>Pedal gear complete with stop lamp switch. LUXE. Until May 1959. No longer supplied.</i> | 1 | DM 453-192 | Clevis for master cylinder push-rod, threaded 9 diameter x 125 pitch, 43 mm long. | 1 | 543.391 | Grub screw, 7 diameter x 25 long, for pedal stop (R. II). | 2 |
| DM 453-0a | <i>Pedal gear complete with stop lamp switch (with beading retaining lining). NORMALE. Until May 1959. No longer supplied.</i> | 1 | 484-S | Screw, hex. head, 7 diameter x 17.5 long, securing master cylinder bracket on pedal gear (R. III). | 4 | 615.022 | Nut, hex., 18 diameter x 150 pitch, securing adjustable stop for clutch cable (R. VI). | 2 |
| DM 453-0b | <i>Pedal gear complete, with stop lamp switch, accelerator cable, distance between lower fixing hole centres: 35 and 61. LUXE. Since May 1959. No longer supplied.</i> | 1 | | | | | | |

172—PEDAL GEAR (LEFT-HAND STEERING)—BRAKE CONTROL



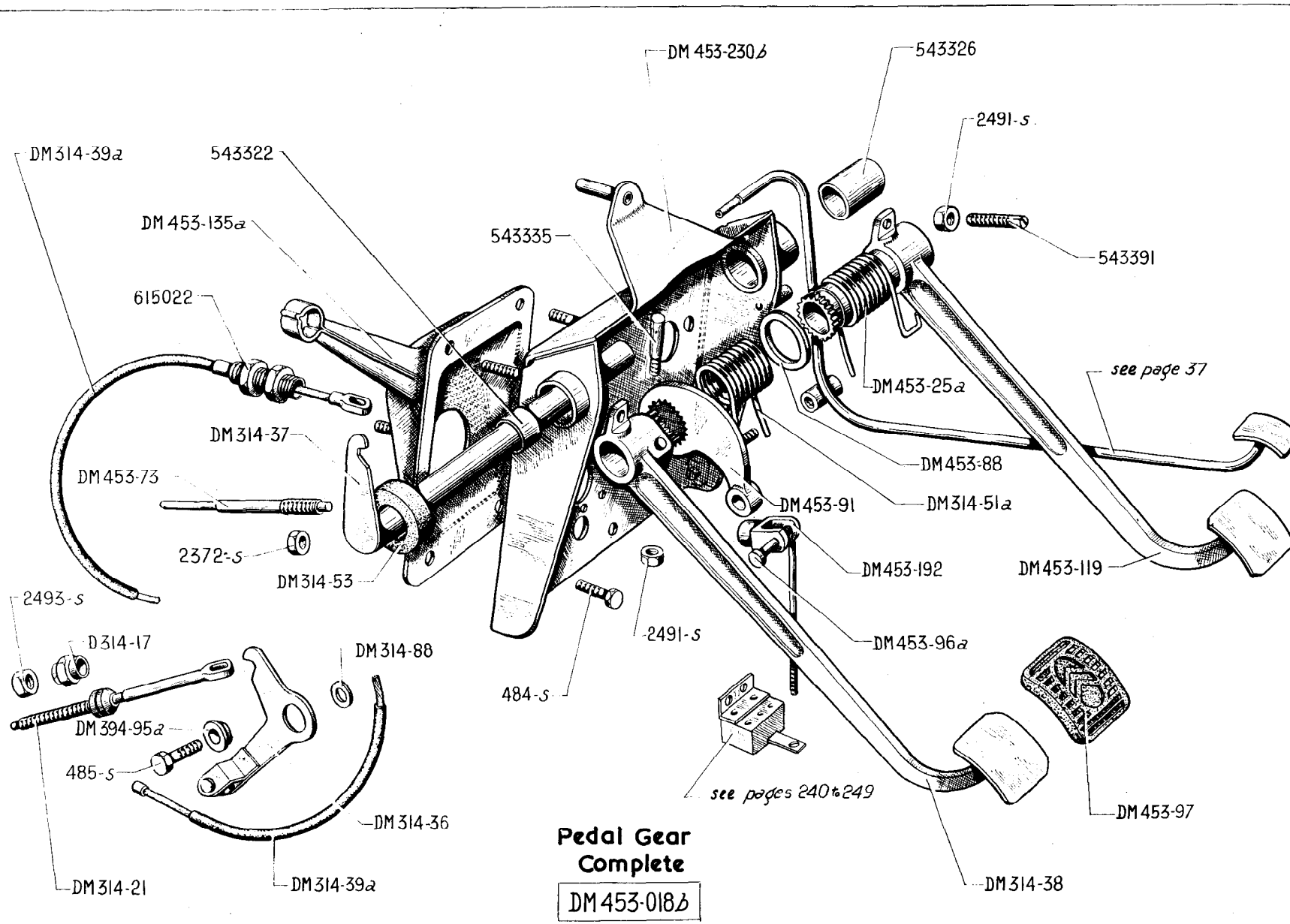
PEDAL GEAR (LEFT-HAND STEERING)—BRAKE CONTROL—173

| NUMBER | DESCRIPTION | No. OFF | NUMBER | DESCRIPTION | No. OFF | NUMBER | DESCRIPTION | No. OFF |
|-------------------|--|---------|-------------------|--|---------|-------------------|--|---------|
| | Since August 1961 | | | | | | | |
| DM 314-2e | Clutch cable, 590 mm long, yoke milled to 3.8 mm with pin inserted (R. VI). | 1 | DF 314-178 | Clevis pin for clutch cable, 5 mm diameter, 12 mm long. | 1 | DM 453-57 | Thrust cup for upper valve spring of brake control, 8.5 x 18.6 x 5. Until June 1964. | 1 |
| DM 314-3a | Clutch pedal with spindle, length of spindle 150 mm. | 1 | DF 314-179 | Clip retaining clutch cable. | 1 | <u>DM 453-57a</u> | Thrust cup for upper valve spring of brake control, 8.5 x 11.85 x 18.6 x 5. Since June 1964. | 1 |
| D 314-17 | Nut, hex., 7 diameter x 100 pitch, for clutch fork adjustment. | 1 | DM 453-011 | Brake control. | 1 | DM 453-60 | Sleeve retaining rubber protector for brake control, internal diameter 30.5 mm (R. VI). | 1 |
| DM 314-21 | <i>Push-rod, adjustable, for clutch, threaded 7 x 100, 136 mm long. Until February 1963. Replaced by DM 314-21a.</i> | 1 | DM 453-029 | Pedal gear complete (without brake control or stop lamp switch). Until September 1962. | 1 | DM 453-63a | Thrust washer for lower valve return spring of brake control, 5.7 x 14. | 1 |
| DM 314-21a | Push-rod, adjustable, for clutch, threaded 7 x 100 (with spindle in extension) (R. VI). Since February 1963. | 1 | DM 453-029a | Pedal gear complete (without brake control or stop lamp switch). Since September 1962. | 1 | DM 453-97 | Rubber for pedal pad. | 2 |
| DM 314-33 | <i>Lever controlling adjustable push-rod for clutch. Distance between centres 72.5 and 42.5. Until April 1964. Replaced by DM 314-33a.</i> | 1 | DM 453-1b | Brake pedal, bushed, with lever controlling plunger. Until September 1962. | 1 | DM 453-99d | Bracket for pedals, bushed. Until September 1962. | 1 |
| <u>DM 314-33a</u> | Lever controlling push-rod for clutch, 3.75 mm thick. Since April 1964. | 1 | DM 453-1d | Brake pedal, bushed, with lever controlling plunger. Since September 1962. | 1 | DM 453-99e | Bracket for pedals, bushed. Since September 1962. | 1 |
| DM 314-51b | Return spring for clutch pedal, right-hand winding, 11 coils. | 1 | DM 453-17 | Circlip for cup for upper valve spring of brake control, 1 mm diameter wire for 7.5 mm pin. | 2 | DM 453-110 | Friction washer, 18 x 27 x 1.5, for brake pedal. | 1 |
| DM 314-83a | Lever controlling clutch. | 1 | DM 453-25c | Return spring for brake pedal, external diameter 16 mm, 10 coils. | 1 | DM 453-126 | Bracket for brake control, 2 holes 8 mm diameter. | 1 |
| DM 314-88 | Thrust washer, 7.2 x 22 x 2, for lever controlling clutch push-rod. | 1 | DM 453-28 | Cup, sheet metal, for rubber protector of brake control, internal diameter 6.5 mm (R. VI). | 1 | DM 453-134 | Bush, 8 x 12 x 8, for brake control bracket (R. VI). | 2 |
| DM 314-95a | <i>Bush for lever controlling push-rod for clutch, 7.2 x 20 x 6.2. Until April 1964. Replaced by DM 314-95b.</i> | 1 | DM 453-36 | Protector, rubber, for brake control, internal diameter 24.5 mm. | 1 | DM 453-149 | Union pipe on brake control, threaded 7 diameter x 100 pitch. | 1 |
| <u>DM 314-95b</u> | Bush for lever controlling push-rod for clutch, 7.2 x 20 x 7.2. Since April 1964. | 1 | DM 453-48 | Plug for brake control, threaded 22 diameter x 150 pitch. | 1 | DM 453-150 | Plunger for brake control, 7.9 mm diameter, 42 mm long. | 1 |
| DM 314-109 | Distance piece for lever controlling clutch, 7 x 10 x 12.6. | 1 | D 453-51 | Return spring for lower valve of brake control, internal diameter 8.5 mm. | 1 | DM 453-151 | Union pipe on brake control, threaded 6 diameter x 100 pitch. | 1 |
| DM 314-177 | Screw, for adjusting brake and clutch pedals, threaded 7 diameter x 100 pitch, 35 mm long. | 2 | DM 453-53 | Return spring for upper valve of brake control, internal diameter 15.8 mm. Until June 1964. | 1 | | | |
| | | | <u>DM 453-53a</u> | Return spring for upper valve of brake control, internal diameter 12.15 mm. Since June 1964. | 1 | | | |

The numbers underlined indicate new parts which do not appear on the illustration.

174—PEDAL GEAR (LEFT-HAND STEERING)—BRAKE CONTROL

| NUMBER | DESCRIPTION | No. OFF | NUMBER | DESCRIPTION | No. OFF | NUMBER | DESCRIPTION | No. OFF |
|------------|--|---------|---------|---|-------------|---------|--|---------|
| DM 453-189 | Sealing strip, for pedal gear (Polyurethane). | 1 | 2.476-S | Joint, copper, 7.2 x 11, for union on brake control (R. VI). | 1 | 543.322 | Bush, 18 x 22 x 17, for pedal gear bracket (R. VI). | 2 |
| 483-S 30 | Screw, hex. head, pointed, 7 diameter x 15 long, securing pedal gear (R. III). | 1 | 2.491-S | Nut, hex., 7 diameter x 100 pitch (R. III) for screw securing: - adjustment of pedals. - lever controlling clutch. - pedal gear. | 2 1 3 | 612.702 | Bush, 18 x 22 x 39, for brake pedal (R. VI). | 1 |
| 485-S | Screw, hex. head, 7 diameter x 20 long, securing lever controlling adjustable push-rod for clutch (R. III). | 1 | 2.493-S | Nut, hex., 7 diameter x 100 pitch, for locking clutch fork adjusting nut (R. III). | 1 | 614.201 | Nut, hex., 16 diameter x 150 pitch, locking adjustable stop (R. II). | 1 |
| 497-S | Screw, hex. head, 7 diameter x 50 long (R. III) securing: - lever controlling clutch. - brake control. | 1 2 | 4.961-S | Ring seal, 24.2 x 28 x 1.9, for plug on brake control (R. VI). | 1 | 617.805 | Joint, copper, circular 6.2 x 10 x 1, for union tube on brake control (R. VI). Since January 1963. | 1 |
| | | | | | | 620.528 | Circlip for upper valve spring cup for brake control, external diameter 20 mm (R. VI). | 1 |



**Pedal Gear
Complete**

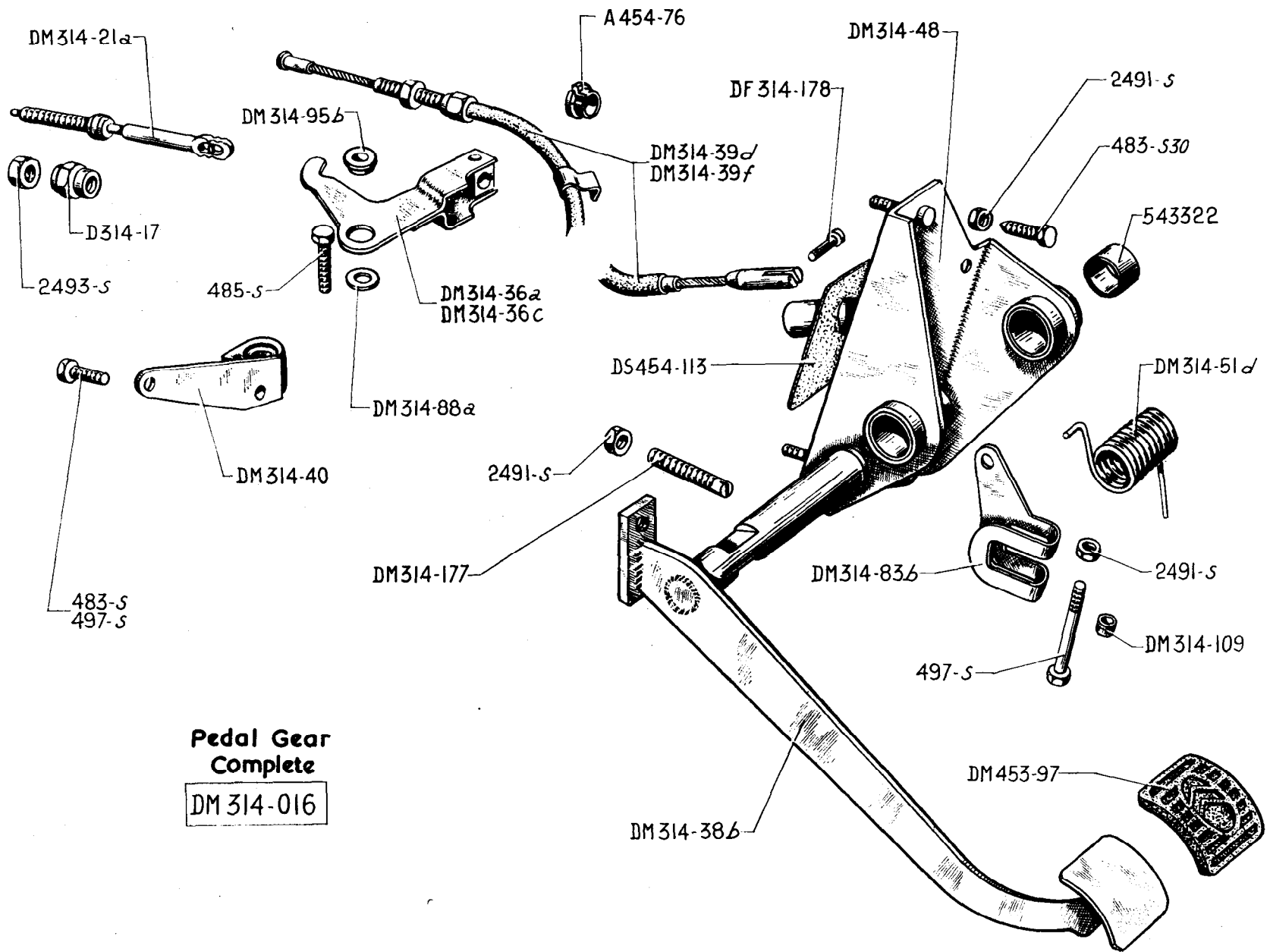
DM 453-018b

PEDAL GEAR (RIGHT-HAND STEERING)—177

| NUMBER | DESCRIPTION | No. OFF | NUMBER | DESCRIPTION | No. OFF | NUMBER | DESCRIPTION | No. OFF |
|--------------------------|--|---------|-------------|---|---------|---------|---|---------|
| Until August 1961 | | | | | | | | |
| D 314-17 | Nut, hex., 7 diameter x 100 pitch, for clutch fork adjustment. | 1 | DM 453-73 | Push-rod for master cylinder, threaded 9 diameter x 125 pitch, 135 mm long. | 1 | 2.372-S | Nut, hex., 9 diameter x 125 pitch, locking push-rod for master cylinder (R. III). | 1 |
| DM 314-21 | <i>Push-rod, adjustable for clutch, 7 diameter x 100 pitch, length 136 mm. Replaced by DM 314-21a.</i> | 1 | DM 453-88 | <i>Spacing washer, 31.5 x 40 x 3, for pedal springs (R. VI). No longer supplied.</i> | 1 | 2.491-S | Nut, hex., 7 diameter x 100 pitch (R. III) securing: - master cylinder. 2 - bracket for master cylinder. 2 - stop screw for pedal. 2 | |
| DM 314-36 | Lever controlling adjustable push-rod for clutch. | 1 | DM 453-91 | <i>Bell crank lever on brake pedal, 30 mm diameter (32 teeth). No longer supplied.</i> | 1 | 2.493-S | Nut, hex., 7 diameter x 100 pitch, locking clutch fork adjusting nut (R. III). | 1 |
| DM 314-37 | Shaft for pedals and lever controlling clutch. 198 mm long. | 1 | DM 453-96a | Clevis pin, 8 mm diameter, length under head 29 mm for master cylinder push-rod. | 1 | 543.322 | Bush, 18 x 22 x 17 (R. VI) : - for pedal bracket. 2 - for brake pedal. 1 | |
| DM 314-38 | <i>Pedal for clutch. No longer supplied.</i> | 1 | DM 453-97 | Pad for pedals. | 2 | 543.326 | Bush, 18 x 22 x 29.5, for brake pedal (R. VI). | 1 |
| DM 314-39a | Cable for clutch (R. VI). | 1 | DM 453-119 | Pedal for brake. | 1 | 543.335 | Cotter, threaded 7 diameter x 100 pitch, 44 mm long, for clutch pedal (R. II). | 1 |
| DM 314-51a | Spring for clutch pedal, winding left-hand (R. VI). | 1 | DM 453-135a | <i>Bracket for master cylinder. No longer supplied.</i> | 1 | 543.391 | Grub screw, 7 diameter x 25 long, for pedal stop (R. II). | 2 |
| DM 314-53 | Sealing ring, rubber, for pedal shaft, 25 x 53 x 20 (R. VI). | 1 | DM 453-192 | Clevis for master cylinder push-rod, threaded 9 diameter x 125 pitch, 43 mm long. | 1 | 615.022 | Nut, hex., 18 diameter x 150 pitch, securing adjustable stop for clutch cable (R. VI). | 2 |
| DM 314-95a | <i>Bearing for lever controlling clutch push-rod, 7.2 x 20 x 6.2. Replaced by DM 314-95b.</i> | 1 | DM 453-230b | <i>Bracket for brake and clutch pedals. No longer supplied.</i> | 1 | | | |
| DM 453-018b | Pedal gear complete. | 1 | 484-S | Screw, hex. head, 7 diameter x 17.5 long, securing master cylinder on pedal gear (R. III). | 4 | | | |
| DM 453-25a | Spring for brake pedal, winding right-hand (R. VI). | 1 | 485-S | Screw, hex. head, 7 diameter x 20 long, securing lever controlling adjustable push-rod for clutch (R. III). | 1 | | | |

178—PEDAL GEAR (RIGHT-HAND STEERING)

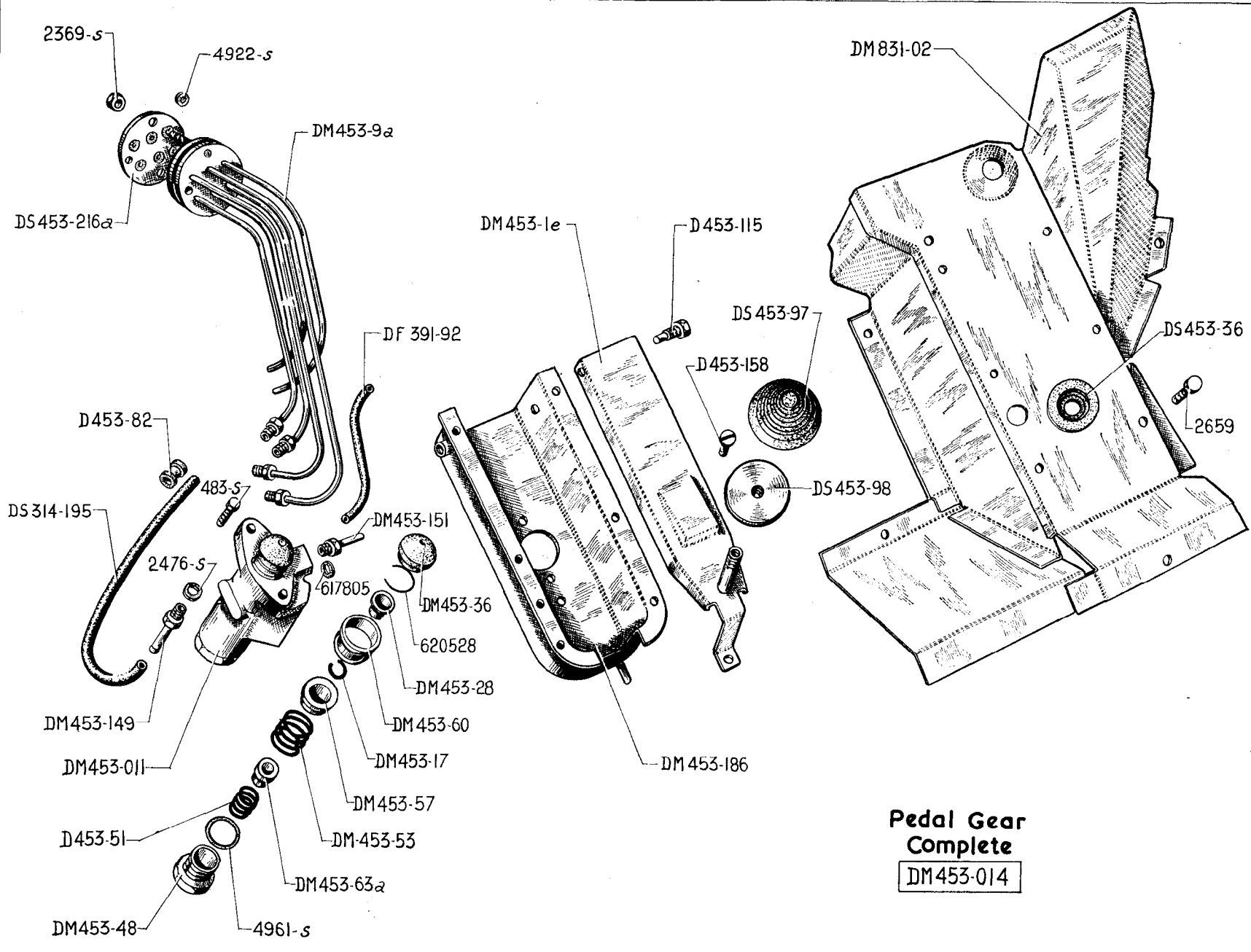
| NUMBER | DESCRIPTION | No. OFF | NUMBER | DESCRIPTION | No. OFF | NUMBER | DESCRIPTION | No. OFF |
|------------|--|---------|------------|--|---------|-------------|--|-------------|
| | August 1961—October 1962 | | | | | | | |
| | Brake control, see pedal gear. Left-hand steering. | | | | | | | |
| A 454-76 | Stop, 8.5 x 12 x 17, for clutch cable sheath. Since November 1961. | 1 | DM 314-38a | Pedal for clutch, threaded 7 diameter x 100 pitch on plate. | 1 | DM 453-25c | Return spring for clutch pedal, external diameter 16 mm, 10 coils. | 1 |
| | | | DM 314-39b | Clutch cable, 453 mm long, with sheath (R. VI). November 1961 - January 1962. | 1 | DM 453-85e | <i>Support for pedals, bushed. No longer supplied.</i> | 1 |
| D 314-17 | Nut, hex., 7 diameter x 100 pitch, for clutch fork adjustment. | 1 | DM 314-39c | Clutch cable, length of sheath 229 mm (R. VI). Since January 1962. | 1 | DM 453-97 | Rubber for pedal pad. | 2 |
| DM 314-21 | <i>Push-rod, adjustable, for clutch, threaded 7 diameter x 100 pitch, 136 mm long. Replaced by DM 314-21a.</i> | 1 | DF 314-40 | <i>Swivelling bracket for lever controlling adjustable push-rod. Until January 1962. No longer supplied.</i> | 1 | DM 453-189a | <i>Sealing strip for pedal gear (Polyurethane). Since April 1962. No longer supplied.</i> | 1 |
| DM 314-25 | Bracket for clutch cable sheath stop, 2 holes 7.5 mm, 1 slot. Since November 1961. | 1 | DF 314-40a | Swivelling bracket for lever controlling adjustable push-rod. Since January 1962. | 1 | 483-S | Screw, hex. head, 7 diameter x 15 long, securing swivelling bracket (R. III). | 1 |
| DF 314-36 | Lever controlling adjustable push-rod. Until November 1961. | 1 | DM 314-53 | Sealing bush, rubber, for pedal shaft, 25 x 53 x 20 (R. VI). | 1 | 483-S 30 | Screw, hex. head, pointed, 7 diameter x 15 long, securing pedal gear (R. III). | 1 |
| DF 314-36b | Lever controlling adjustable push-rod. Since January 1962. | 1 | DM 314-90a | <i>Thrust plate for clutch cable sheath, 1 hole 11.5 mm diameter, 2 holes 7.5 mm diameter. November 1961 - January 1962. No longer supplied.</i> | 1 | 495-S | Screw, hex. head, 7 diameter x 45 long, securing swivelling bracket (R. III). | 1 |
| DM 314-36a | Lever controlling adjustable push-rod (curved shape). November 1961 - January 1962. | 1 | DF 314-92a | Clutch cable, 335 mm long (R. VI). Until November 1961. | 1 | 2.491-S | Nut, hex., 7 diameter x 100 pitch (R. III): - for pedal adjusting screw. - for clutch pedal cotter. - for pedal gear. | 2 1 3 |
| DM 314-37a | Shaft for clutch pedal with lever, 18 mm diameter, 197 mm long. | 1 | DM 314-177 | Screw for pedal adjustment, threaded 7 diameter x 100 pitch, 35 mm long. | 2 | 2.493-S | Nut, hex., 7 diameter x 100 pitch (R. III): - for swivelling bracket. - for clutch cable. Until November 1961. | 2 2 |
| | | | DM453-018c | Pedal gear complete. | 1 | 543.322 | Bush, 18 x 22 x 17 (R. VI): - for pedal bracket. - for brake pedal. | 2 2 |
| | | | DM 453-1c | Pedal for brake with clutch pedal return spring. | 1 | 543.335 | Cotter, threaded 7 diameter x 100 pitch, for clutch pedal (R. II). | 1 |



**Pedal Gear
Complete**
DM 314-016

PEDAL GEAR (RIGHT-HAND STEERING)—181

| NUMBER | DESCRIPTION | No. OFF | NUMBER | DESCRIPTION | No. OFF | NUMBER | DESCRIPTION | No. OFF |
|------------|--|---------|------------|---|---------|------------|---|-------------|
| | Since October 1962 | | | | | | | |
| A 454-76 | Stop, 8.5 x 12 x 17, for clutch cable sheath. | 1 | DM 314-40 | Swivelling bracket, for lever controlling adjustable push-rod (R. VI). | 1 | DM 453-97 | Lining for pedal pad. | 1 |
| DM 314-016 | Pedal gear complete. | 1 | DM 314-48 | Support for clutch pedal, 2 welded screws. | 1 | DS 454-113 | Rubber sealing strip for pedal gear, 45 x 80 x 1 (R. VI). | 1 |
| D 314-17 | Nut, hex., 7 diameter x 100 pitch, for clutch fork adjustment. | 1 | DM 314-51d | Spring for clutch pedal, left-hand winding, 11 coils (R. VI). | 1 | 483-S | Screw, hex. head, 7 diameter x 15 long, securing swivelling bracket for lever controlling adjustable push-rod (R. III). | 1 |
| DM 314-21a | Push-rod, adjustable, for clutch, threaded 7 diameter x 100 pitch (with pin with end piece) (R. VI). | 1 | DM 314-83b | Lever controlling clutch. | 1 | 483-S 30 | Screw, hex. head, pointed, 7 diameter x 15 long, securing pedal gear (R. III). | 2 |
| DM 314-36a | Lever controlling adjustable push-rod. Until November 1962. | 1 | DM 314-88a | Thrust washer, 7.2 x 18 x 2, for lever controlling adjustable push-rod. | 1 | 485-S | Screw, hex. head, 7 diameter x 20 long, securing lever controlling adjustable push-rod (R. III). | 1 |
| DM 314-36c | Lever controlling adjustable push-rod. Since November 1962. | 1 | DM 314-95b | Bearing for lever controlling adjustable push-rod, 7.2 x 20 x 7.2. | 1 | 497-S | Screw, hex. head, 7 diameter x 50 long (R. III) securing: - lever controlling clutch. - swivelling bracket for lever controlling adjustable push-rod. | 1 1 |
| DM 314-38b | Clutch pedal (with spindle 94 mm long). | 1 | DM 314-109 | Distance piece for lever controlling clutch, 7 x 10 x 12.6. | 1 | 2.491-S | Nut, hex., 7 diameter x 100 pitch (R. III) for screw securing: - lever controlling clutch. - pedal adjustment. - pedal gear. | 1 1 2 |
| DM 314-39d | Clutch cable, with retaining plate, length of sheath, 410 mm (R. VI). Until November 1962. | 1 | DM 314-177 | Screw, for clutch pedal adjustment, 7 diameter x 100 pitch, 35 mm long. | 1 | 2.493-S | Nut, hex., 7 diameter x 100 pitch for clutch cable (R. III). | 2 |
| DM 314-39f | Clutch cable, with retaining plate, length of sheath 385 mm (R. VI). Since November 1962. | 1 | DF 314-178 | Anchor pin, for clutch cable, 5 mm diameter, 12 mm long. | 1 | 543.322 | Bush, 18 x 22 x 17, for pedal bracket (R. VI). | 2 |



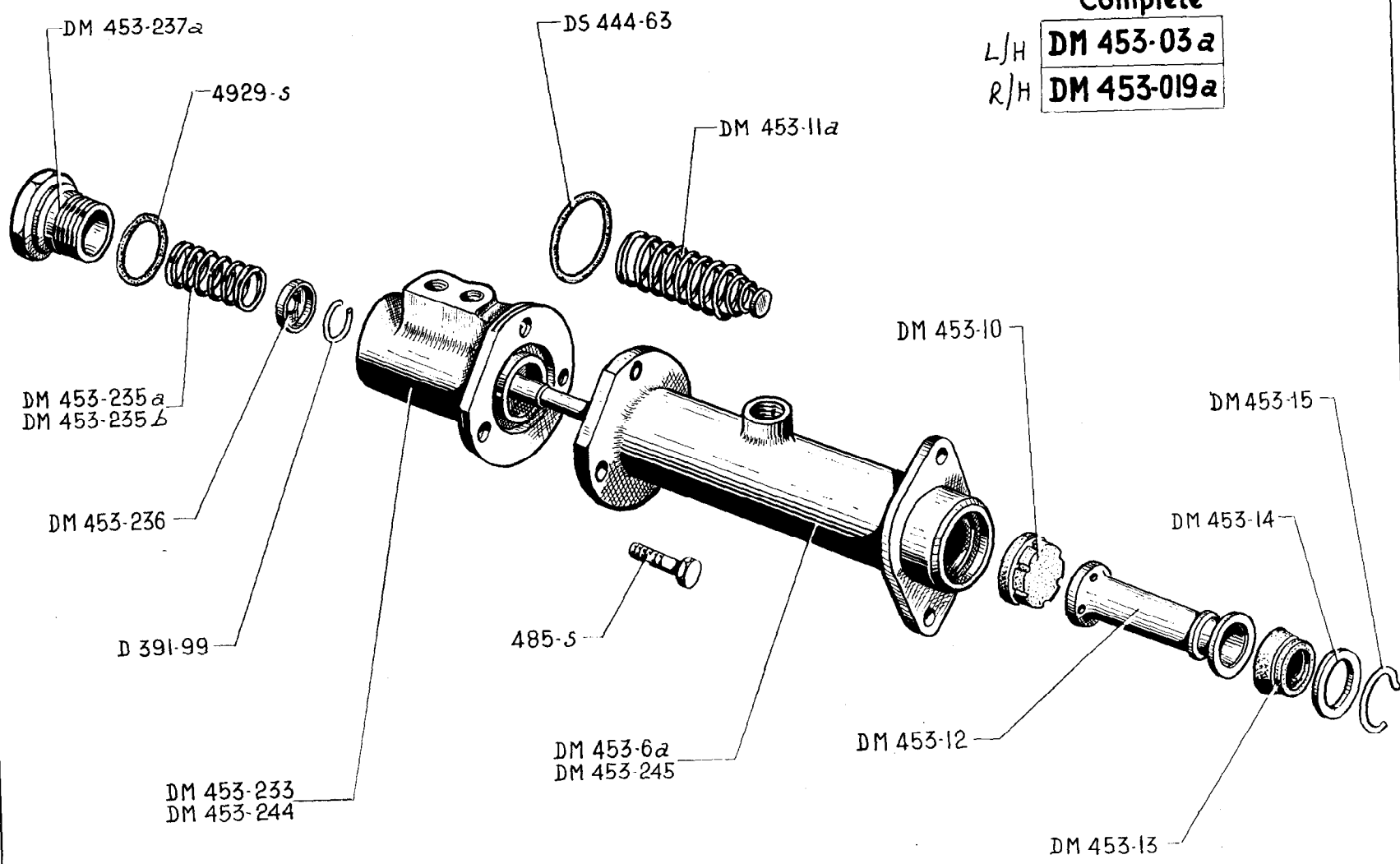
Pedal Gear Complete
DM453-014

182—BRAKE CONTROL (RIGHT-HAND STEERING)

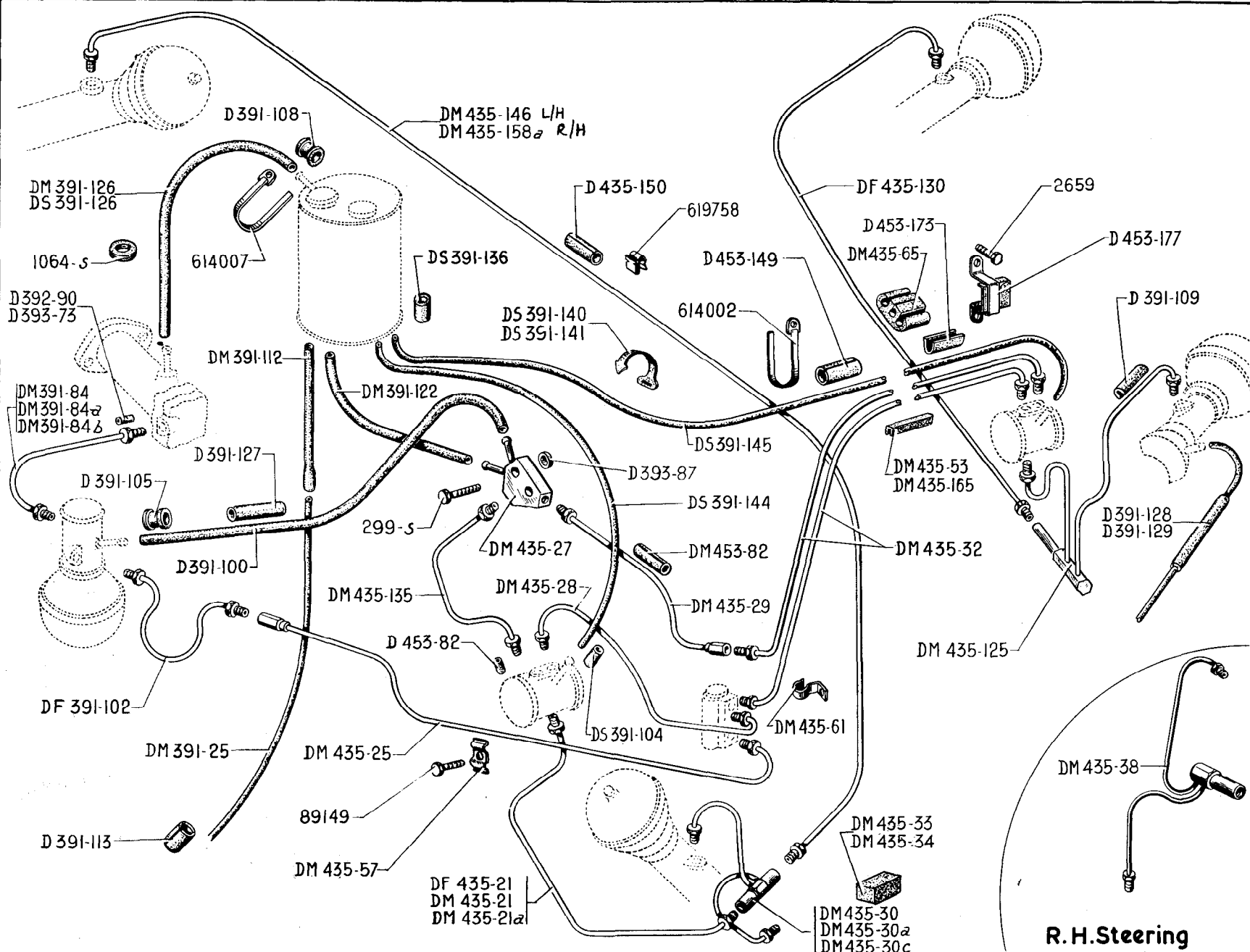
| NUMBER | DESCRIPTION | No. OFF | NUMBER | DESCRIPTION | No. OFF | NUMBER | DESCRIPTION | No. OFF |
|------------|---|---------|-------------------|--|---------|-------------|---|---------|
| | Since October 1962 | | | | | | | |
| DS 314-195 | Tube, rubber, 5 x 11, x 150 mm long, joining brake control to control assembly. | 1 | DM 453-53 | <i>Return spring for upper valve of brake control, internal diameter 15.8 mm. Until June 1964. Replaced by DM 453-53a; order in addition 1-DM 453-57a.</i> | 1 | D 453-158 | Screw, countersunk head, 4 x 11, for locking pedal rod. | 1 |
| DF 391-92 | Tube, rubber, 3 x 8, x 105 mm long, joining brake control to control assembly. | 1 | <u>DM 453-53a</u> | Return spring for upper valve of brake control, internal diameter 12.15 mm. Since June 1964. | 1 | DM 453-186 | Bracket for brake control. | 1 |
| DM 453-011 | Brake control. | 1 | DM 453-57 | <i>Thrust cup for upper valve spring of brake control, 8.5 x 18.6 x 5. Until June 1964. Replaced by DM 453-57a.</i> | 1 | DS 453-216a | Plate with joint for flange of brake control, with 6 holes 7.6 (R. VI). | 1 |
| DM 453-014 | Brake control with pedal assembly. | 1 | <u>DM 453-57a</u> | Thrust cup for upper valve spring of brake control, 8.5 x 11.85 x 18.6 x 5. Since June 1964. | 1 | DM 831-02 | Pedal board with brake control. | 1 |
| DM 453-1e | Brake pedal with rod, threaded 9 x 125. | 1 | DM 453-60 | Sleeve retaining rubber protector for brake control, internal diameter 30.5 mm (R. VI). | 1 | 483-S | Screw, hex. head, 7 x 15, for securing bracket of brake control (R. III). | 2 |
| DM 453-9a | Control assembly for brake on pedal board, one flange with six holes, 4 unions. | 1 | DM 453-63a | Thrust washer for lower valve return spring of brake control, 5.7 x 14. | 1 | 2.369-S | Nut, hex., 6 x 100, for securing flange of brake control assembly piping (R. III). | 3 |
| DM 453-17 | Circlip for the cup for the spring of upper brake control rod, 1 mm diameter wire for spindle 7.5 mm. | 2 | D 453-82 | Rubber protector for piping union (4.5 x 6.5 x 11). | 4 | 2.476-S | Joint, copper, 7.2 x 11, for union on brake control tube (R. VI). | 1 |
| DM 453-28 | Sheet metal cup protecting rubber of brake control, internal diameter 6.5 mm (R. VI). | 1 | DS 453-97 | <i>Rubber for pedal pad, internal diameter 42 mm. Replaced by DS 453-970.</i> | 1 | 2.659 | <i>Screw, hex. head, 5 x 13, for securing brake control on floor panel (R. III). Replaced by 283-S.</i> | 6 |
| DM 453-36 | Rubber protector for brake control, internal diameter 24.5 mm. | 1 | DS 453-98 | Brake pedal rod screwed 9 x 125. | 1 | 4.922-S | Ring seal, 4.2 x 8 x 1.9 for plate carrying joint for brake control (R. VI). | 6 |
| DS 453-36 | Bush, rubber, protecting brake pedal rod, thickness 5.5 mm. | 1 | D 453-115 | Swivelling spindle for brake pedal, 7 x 16. | 2 | 4.961-S | Ring seal, 24.2 x 28 x 1.9, for plug on brake control (R. VI). | 1 |
| DM 453-48 | Plug for brake control, threaded 22 x 150 pitch. | 1 | DM 453-149 | Union pipe on brake control, threaded 7 x 100. | 1 | 617.805 | Joint, circular, copper, 6.2 x 10 x 1 for tube union on brake control (R. VI). Since January 1963. | 1 |
| D 453-51 | Return spring for lower valve of brake control, internal diameter 8.5 mm. | 1 | DM 453-151 | Union pipe on brake control, threaded 6 x 100. | 1 | 620.528 | Circlips holding cup for spring on upper rod of brake control, external diameter 20 mm (R. VI). | 1 |

Master Cylinder
Complete

| | |
|-----|-------------|
| L/H | DM 453-03a |
| R/H | DM 453-019a |



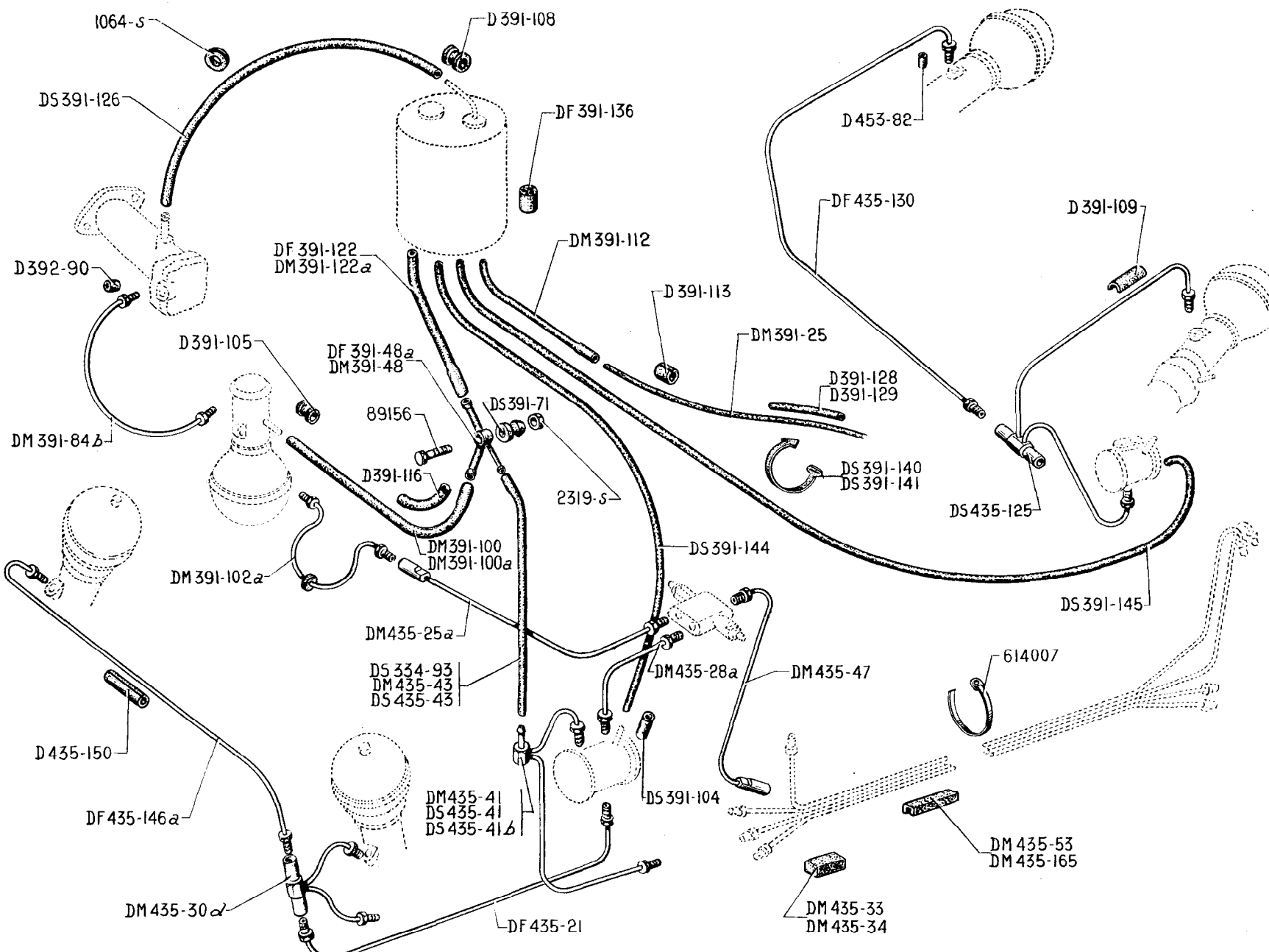
| NUMBER | DESCRIPTION | No. OFF | NUMBER | DESCRIPTION | No. OFF | NUMBER | DESCRIPTION | No. OFF |
|----------------------------|---|---------|----------------------------------|---|---------|-------------|---|---------|
| Until February 1958 | | | February 1958—August 1961 | | | DM 453-233 | Body for distributor with slide valve. Left-hand steering. | 1 |
| DM 453-10 | Cup, main, external diameter 20 mm (R. VI). | 1 | D 391-99 | Cir lip for spring retaining cup for distributor slide valve. | 1 | DM 453-235a | Spring for distributor slide valve, internal diameter 9.2 mm, 9 coils. January 1959 - March 1964. Replaces earlier model. Order in addition: 1-DM 453-237a. | 1 |
| DM 453-13 | Cup, secondary, external diameter 21.5 mm (R. VI). | 1 | DS 444-63 | Ring seal, 27.7 x 33.1 x 2.7 between distributor and master cylinder body (R. VI). | 1 | DM 453-235b | Spring for slide valve on distributor, internal diameter 9.8 mm, 9 coils. Since March 1964. | 1 |
| DM 453-7 | Joint, rubber for valve, 4.6 x 17.2 x 3 (R. VI). | 1 | DM 453-03a | Master cylinder complete with distributor. Left-hand steering. | 1 | DM 453-236 | Cup 8.65 x 9.75 x 13 x 2.2 retaining distributor slide valve spring. | 1 |
| 2.459-S | Joint, copper, 14.3 x 19 x 1 for outlet union (R. VI). | 2 | DM 453-019a | Master cylinder complete. Right-hand steering. | 1 | DM 453-237a | Cap for distributor. Threaded 18 diameter 150 pitch. Depth of chamfer 12 mm. Since January 1959. Replaces previous model. Order in addition: 1-DM 453-235a. | 1 |
| DM 453-15 | Circlip for piston, wire 1.8 mm diameter. | 1 | DM 453-6a | Body for master cylinder (distributor fixing 3 holes 7.5 diameter). Left-hand steering. | 1 | DM 453-244 | Body for distributor with slide valve. Right-hand steering. | 1 |
| DM 453-03 | Master cylinder complete. | 1 | DM 453-10 | Cup, main, external diameter 20 mm (R. VI). | 1 | DM 453-245 | Body for master cylinder. Right-hand steering. | 1 |
| DM 453-62 | Diaphragm, conical for valve, 8 mm diameter, 7 mm long (R. VI). | 1 | DM 453-11a | Spring with end piece (one end tapered). | 1 | 485-S | Screw, hex. head, 7 diameter x 20 long securing distributor on master cylinder (R. III). | 3 |
| DM 453-12 | Piston, 54 mm long. | 1 | DM 453-12 | Piston for master cylinder, 54 mm long. | 1 | 4.929-S | Ring seal, 18.7 x 22.5 x 1.9, for distributor cap (R. VI). | 1 |
| DM 453-54 | Outlet union, internal diameter 14 mm, threaded 9 diameter x 125 pitch. | 1 | DM 453-13 | Cup, secondary, external diameter 21.5 mm (R. VI). | 1 | | | |
| DM 453-11 | Spring with end piece. | 1 | DM 453-14 | Stop washer, for piston, 14 x 21 x 2.6. | 1 | | | |
| DM 453-14 | Thrust washer for piston, 14 x 21 x 2.6. | 1 | DM 453-15 | Circlip for piston, wire 1.8 mm diameter. | 1 | | | |
| DM 453-77 | Union screw, threaded 14 diameter x 150 pitch, 44 mm long. | 1 | | | | | | |



186—SUSPENSION PIPING

| NUMBER | DESCRIPTION | No. OFF | NUMBER | DESCRIPTION | No. OFF | NUMBER | DESCRIPTION | No. OFF |
|------------|--|---------|------------|---|---------|------------|---|---------|
| | Since August 1961 | | | | | | | |
| DM 391-25 | Piping flexible for suspension overflow pipe. | 1 | D 391-113 | Bush, rubber, split, for securing overflow return pipe 8 x 12 x 15 mm long. | 11 | D 393-73 | Sleeve, rubber, for pipe union between pump and pressure regulator, internal diameter 8.5 mm 12.5 long. Until October 1958. | 2 |
| DM 391-84 | <i>Connecting pipe complete with unions, between pump and pressure regulator. Until October 1958. Replaced by DM 391-84a; order in addition: 2-DS 391-161, 2-D 392-90.</i> | 1 | DM 391-122 | Pipe, rubber, 7 x 14 length 1.280 mm between 4 way union and reservoir. | 1 | D 393-87 | Distance piece 5.5 x 16 x 4 for suspension 4 way union. | 1 |
| DM 391-84a | Connecting pipe 6.35 mm diameter between pump and pressure regulator (fitted with joint D 392-90). October 1958 - February 1960. | 1 | DM 391-126 | Pipe, rubber, 11 x 18, 825 mm long, between pump and reservoir. Until September 1960. | 1 | DF 435-21 | Feed pipe for front suspension, right-hand and left-hand 2 screwed unions. Since July 1960. | 1 |
| DM 391-84b | Connecting pipe 6.35 mm diameter between pump and pressure regulator. Since February 1960. | 1 | DS 391-126 | Pipe, rubber, 11 x 18, 780 mm long, between pump and reservoir. Since September 1960. | 1 | DM 435-21 | Feed pipe for front suspension (left-hand and right-hand). Until February 1958. | 1 |
| D 391-100 | Pipe, rubber, connecting pressure regulator to 4 way union 14 mm diameter length 500 mm. | 1 | D 391-127 | Sleeve protecting flexible pipe connecting pressure regulator to 4 way union. | 1 | DM 435-21a | Feed pipe for front suspension (assembly with master cylinder with distributor). February 1958 - July 1960. | 1 |
| DF 391-102 | Connecting pipe between pressure regulator and distribution unit (pressure regulator end). | 1 | D 391-128 | Sleeve protecting overflow return pipe from left-hand rear suspension cylinder, length 250 mm. | 1 | DM 435-25 | Pipe connecting pressure regulator to distribution unit (distribution unit end). | 1 |
| DS 391-104 | Sleeve, rubber, connecting overflow return to corrector 8 x 29. | 2 | D 391-129 | Sleeve protecting overflow return flexible pipe from right-hand rear suspension cylinder 390 mm long. | 1 | DM 435-27 | Union 4 way for suspension. | 1 |
| D 391-105 | Bush, flexible, under clip, internal diameter 15 mm: - pipe connecting pressure regulator 4 way union and reservoir. - flexible union for overflow return. | 4 1 | DS 391-136 | Sleeve, rubber, for connecting to reservoir overflow return flexible pipe from correctors 18 x 42 mm. | 1 | DM 435-28 | Feed pipe for front correctors. | 1 |
| D 391-108 | Bush, flexible, under securing clip, internal diameter 19 mm. - connecting pipe, pump to reservoir. - rubber union for overflow return. | 2 1 | DS 391-140 | Collar, rubber, for overflow return flexible pipes from height correctors 46 mm long. | 7 | DM 435-29 | Pipe return from rear corrector (front part). | 1 |
| D 391-109 | Protecting rubber piece for pipe on suspension cylinder support 48 mm long (R. VI). | 2 | DS 391-141 | Collar, rubber, for overflow return flexible pipes from height correctors 77 mm long. | 4 | DM 435-30 | Feed pipe for front suspension, left-hand. Left-hand steering. Until February 1958. Right-hand steering. | 1 |
| DM 391-112 | Rubber union, for suspension overflow return, internal diameter 7 and 11, length 880 mm. | 1 | DS 391-144 | Piping, rilsan, for overflow return from front corrector 1.200 mm long. (R. VI). | 1 | DM 435-30a | Feed pipe for front suspension, left-hand and master cylinder (2 pipes, 1 union, 4 ways). February 1958 - July 1960. | 1 |
| | | | DS 391-145 | Piping, rilsan, for overflow return from rear corrector 4.200 mm long (R. VI). | 1 | DM 435-30c | Feed pipe for front suspension, left-hand and master cylinder 2 pipes, 1, 4 way union. Since July 1960. | 1 |
| | | | D 392-90 | Sleeve, rubber, for pipe union between pump and pressure regulator 6 x 11 x 11. Since October 1958. | 2 | DM 435-32 | General piping for suspension and brake (rear part). | 1 |

| NUMBER | DESCRIPTION | No. OFF | NUMBER | DESCRIPTION | No. OFF | NUMBER | DESCRIPTION | No. OFF |
|-------------|---|---------|-----------|--|---------|-------------------------|---|---------|
| DM 435-33 | Closing block, 60 x 40 x 35, for left-hand sidemember (R. VI). | 2 | D 453-82 | Rubber sleeve for union, 4.5 x 6.5 x 11. | As nec. | 619.758 | Clip securing sheath protecting front suspension feed pipe, right-hand (R. VI). | 2 |
| DM 435-34 | Closing block, 60 x 50 x 40, for right-hand sidemember (R. VI). | 1 | DM 453-82 | Rubber sleeve, 14 x 19, protecting suspension piping (R. VI). | 5 | PROTECTION PLUGS | | |
| DM 435-38 | Feed pipe for front suspension, right-hand and master cylinder (2 pipes, 1 3-way union). Right-hand steering. | 1 | D 453-149 | Protection sleeve for general rear piping, 15 x 20 x 80. | 1 | D 391-60 | Plug, rubber, for pressure regulator (return side), 7.5 x 12 x 20 (R. VI). | 1 |
| DM 435-53 | Rubber protection piece for front feed pipe, 40 mm long. | 3 | D 453-173 | Protection sleeve for rear general piping, 50 mm long. | 1 | D 391-63 | Plug, rubber, for pressure regulator (operating side and for corrector), 9 mm diameter. | 5 |
| DM 435-57 | Clip, double, securing pressure regulator pipe and corrector pipe. | 1 | D 453-177 | Clip with rubber, securing rear general piping distance between centres 53 mm. | 1 | D 391-88 | Plug, rubber, for pressure regulator (inlet side), 14 mm diameter. | 1 |
| DM 435-61 | Support for suspension piping (1 hole 5.5 mm diameter). | 3 | 299-S | Screw, hex. head, 5 diameter x 28 long, securing 4-way union (R. III). | 1 | D 433-82 | Plug for suspension sphere, threaded 36 diameter x 150 pitch. | 1 |
| DM 435-65 | Distance piece, rubber, for rear general piping (3 holes). | 3 | 1.064-S | Grommet, rubber, 16 x 32 x 7, for pipe connecting pump to reservoir (R. III). | 2 | D 434-70 | Plug for suspension cylinder (sphere side), external thread 36 diameter x 150 pitch. | 1 |
| DM 435-125 | Connecting pipe for rear suspension, left-hand (1 3-way union). | 1 | 2.659 | Screw, hex. head, 5 diameter x 13 long (R. III) securing: - support for suspension piping. - clip for front feed pipe. | 3 1 | D 435-91 | Plug, rubber, for corrector (overflow return), 3 x 8 x 10 (R. VI). | 1 |
| DF 435-130 | Connecting pipe for general piping to rear suspension cylinder, right-hand. | 1 | 89.149 | Screw, hex. head, 5 diameter x 18 long, for double clip securing pressure regulator pipe (R. III). | 1 | D 453-131 | Plug, for protection of 4.5 mm pipe (R. VI). | As nec. |
| DM 435-135 | Return pipe from front corrector. | 1 | 614.002 | Clip for general piping (rear system), 220 mm long (R. VI). | 3 | D 453-132 | Plug protecting 6.35 mm tube (R. VI). | As nec. |
| DM 435-146 | <i>Feed pipe for front suspension, right-hand. Left-hand steering. Replaced by DF 435-146a.</i> | 1 | 614.007 | Clip, 190 mm long (R. VI) securing: - sheath protecting rear general piping. - pipe connecting pump to reservoir. | 1 2 | | | |
| D 435-150 | Protecting sleeve rubber, for suspension feed pipe, 4 x 9 x 15. | 4 | | | | | | |
| DM 435-158a | Feed pipe for front suspension, right-hand. Right-hand steering. | 1 | | | | | | |
| DM 435-165 | Protecting rubber piece for suspension piping, 147 mm long. | 2 | | | | | | |

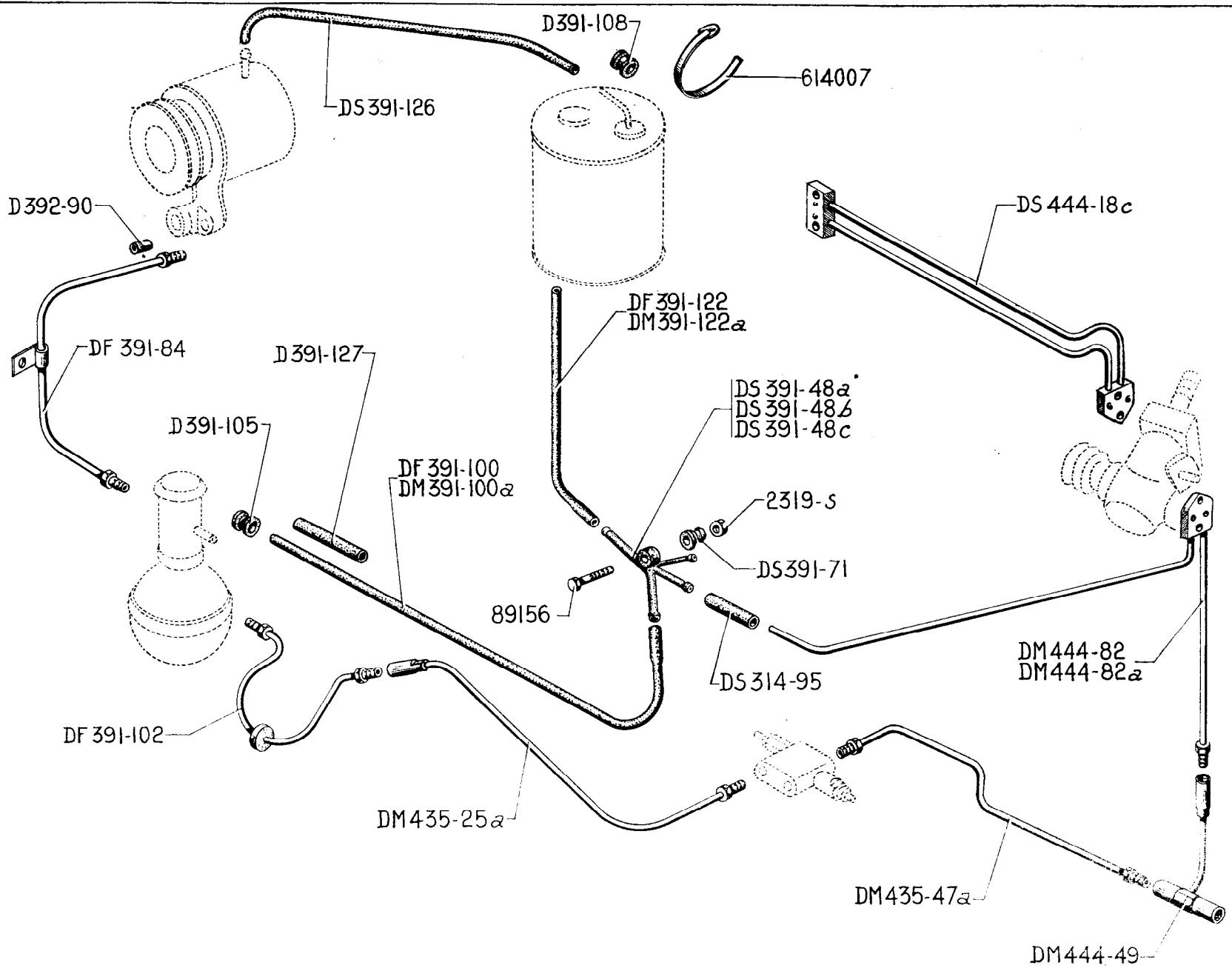


190—SUSPENSION PIPING

| NUMBER | DESCRIPTION | No. OFF | NUMBER | DESCRIPTION | No. OFF | NUMBER | DESCRIPTION | No. OFF |
|-------------|---|---------|-------------|--|---------|-------------------|--|---------|
| | Since August 1961 | | | | | | | |
| DS 334-93 | Tube, rubber, 7 x 14, for return from correctors between return pipe assembly and 4-way union, 320 mm long. Assisted steering. Since October 1963. | 1 | D 391-105 | Bush, flexible, under securing clip for connecting pipe, internal diameter 15 mm: - 3-way union to pressure regulator. - 3-way union to reservoir. | 2 2 | D 391-128 | Protection sheath, left-hand, on rear suspension cylinder overflow return, 250 mm long. | 1 |
| DM 391-25 | Flexible piping for suspension overflow return. | 1 | D 391-108 | Bush, flexible, under securing clip, internal diameter 19 mm: - for connecting pipe pump to reservoir. - for rubber pipe for overflow return. | 2 1 | D 391-129 | Protection sheath, right-hand, on rear suspension cylinder overflow return, 390 mm long. | 1 |
| DF 391-48a | Union, 3-way (2 pipes). Until June 1963. | 1 | D 391-109 | Rubber protector for piping on rear suspension cylinder bracket, 48 mm long. | 2 | DF 391-136 | Sleeve, rubber, for connecting to reservoir, overflow return from correctors and brake control, 42 mm long. | 1 |
| DM 391-48 | <i>Union, nylon, 3-way, for suspension (2 tubes 11 mm diameter, 1 tube 6.5 mm diameter) (R. VI). June 1963 - February 1964. Replaced by DM 391-48a; order in addition: 1-DS 334-93, 1-DS 435-41b.</i> | 1 | DM 391-112 | Rubber union, for suspension overflow return, internal diameter 7 and 11, length 880 mm. | 1 | DS 391-140 | Collar, rubber, for overflow return from correctors, 46 mm long. | 9 |
| DM 391-48a | Union, nylon, 3-way, for suspension (2 tubes 11 mm diameter, 1 tube 8 mm diameter) (R. VI). Since February 1964. | 1 | D 391-113 | Bush, rubber, split, securing overflow return piping, 8 x 12 x 15. | 11 | DS 391-141 | Collar, rubber, for overflow return from correctors, 77 mm long. | 2 |
| DS 391-71 | Rubber support for 3-way union. Until July 1965. | 1 | D 391-116 | Sheath, rubber protecting pipe connecting pressure regulator to 3-way union, internal diameter 15.5 mm. | 1 | DS 391-144 | Pipe, Rilsan, for overflow return from front correctors, 1,200 mm long (R. VI). | 1 |
| DM 391-84b | Connecting pipe, 6.35 mm diameter between pump and pressure regulator. | 1 | DF 391-122 | Pipe, rubber, 7 x 14 x 945 between 3-way union and reservoir. Until June 1963. | 1 | DS 391-145 | Piping, Rilsan, for overflow return from rear correctors, 4,200 mm long (R. VI). | 1 |
| DM 391-100 | Pipe, rubber, connecting pressure regulator to 3-way union, 7 x 14 x 235. Until June 1963. | 1 | DM 391-122a | Tube, rubber, 7 x 14, between 3-way union and reservoir, internal diameter 7 mm and 10 mm x 945 mm long. Since June 1963. | 1 | D 392-90 | Sleeve, rubber, 6 x 11 x 11, for pipe union between pump and pressure regulator. | 2 |
| DM 391-100a | Pipe, rubber, 7 x 14, connecting pressure regulator to 3-way union, 7 mm and 10 mm internal diameter x 235 mm long. Since June 1963. | 1 | | | | <u>DX 394-48</u> | Rubber support for 3-way union, (32 mm and 19 mm diameter x 19 mm high). Since July 1965. | 1 |
| DM 391-102a | Connecting pipe between pressure regulator and safety valve (pressure regulator side). | 1 | DS 391-126 | Pipe, rubber, connecting reservoir to suspension pump, 18 mm diameter, 780 mm long. | 1 | <u>DX 394-120</u> | Return assembly from front and rear correctors, 1 3-way union, 1 2-way union, 1 screwed union, with output control. Since July 1965. | 1 |
| DS 391-104 | Sleeve, rubber, connecting overflow return to correctors, 8 x 29. | 2 | | | | <u>DX 394-121</u> | Feed pipe for front suspension, right and left-hand. Since July 1965. | 1 |
| | | | | | | <u>DV 394-122</u> | Feed pipe for front corrector. Since July 1965. | 1 |
| | | | | | | DF 435-21 | Feed pipe for front suspension, right and left-hand, 2 screwed unions. Until October 1964. | 1 |

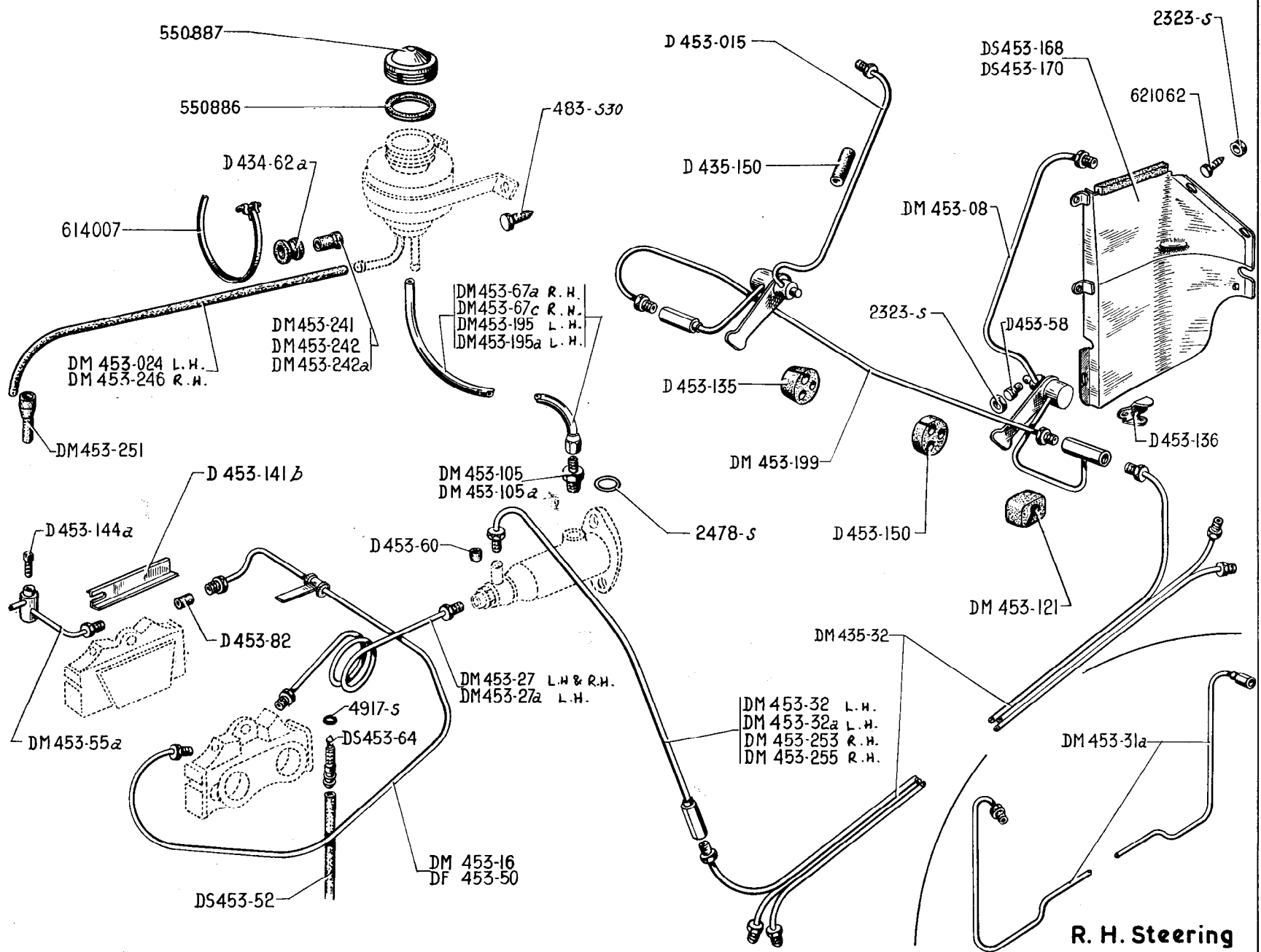
| NUMBER | DESCRIPTION | No. OFF | NUMBER | DESCRIPTION | No. OFF | NUMBER | DESCRIPTION | No. OFF |
|------------------|---|---------|-------------|---|---------|------------|--|------------------|
| <u>DW 435-21</u> | Feed pipe for front right and left-hand suspension, 2 screwed unions (arrangement with wide tread tyres). October 1964 - July 1965. | 1 | DS 435-43 | Tube, rubber, 5 x 11, for return from correctors between return pipe assembly and 3-way union, 310 mm long. Since June 1963. Assisted steering. Until October 1963. | 1 | DM 435-165 | Sleeve, rubber, protecting suspension piping, 147 mm long. | 3 |
| DM 435-25a | Connecting pipe from pressure control valve to security valve (security valve side). | 1 | DM 435-47 | Pipe connecting security valve, to general piping, 1 2-way union, 1 screwed union. | 1 | D 453-82 | Sleeve, rubber, for union, 4.5 x 6.5 x 11. | As nec. |
| DM 435-28a | Feed pipe for front corrector. Until July 1965. | 1 | DM 435-53 | Sleeve, rubber, protecting front feed pipe, 40 mm long. | 3 | 1.064-S | Grommet, rubber, 16 x 32 x 7, for connecting pipe, pump to reservoir (R. III). | 2 |
| DM 435-30d | Feed pipe for front suspension, left-hand. | 1 | DS 435-125 | Pipe assembly connecting rear suspension, left-hand, 1 4-way union. | 1 | 2.319-S | Nut, hex., 5 diameter x 75 pitch, securing 3-way union (R. III). | 1 |
| DM 435-33 | Closing plug for lateral cross-member, left-hand, 60 x 40 x 35 (R. VI). | 2 | DF 435-130 | Feed pipe for rear suspension, right-hand, 2 screwed unions. | 1 | 89.156 | Screw, hex. head, 5 diameter x 40 long, securing 3-way union (R. III). | 1 |
| DM 435-34 | Closing plug for lateral cross-member, right-hand, 60 x 50 x 40 (R. VI). | 1 | DF 435-146a | Feed pipe for front suspension, right-hand, 2 screwed unions. | 1 | 614.007 | Clip, 190 mm long (R. VI) securing: - pipes connecting pump to reservoir. - 3-way union to pressure control valve. - 3-way union to reservoir. - rubber union for overflow return. | 2 2 2 1 |
| DM 435-41 | Pipe assembly for return from correctors, 1 3-way union, 1 2-way union, 1 screwed union. Until June 1963. | 1 | D 435-150 | Sleeve, rubber, protecting suspension feed pipe, 4 x 9 x 15. | 2 | | | |
| DS 435-41 | Return pipe assembly from correctors, 1 3-way union with 6.5 mm tube, 2-way union, 1 screwed union. Since June 1963. Assisted steering. Until October 1963. | 1 | | | | | | |
| DS 435-41b | Return pipe assembly from correctors, (1 3-way union with 8 mm diameter tube, 1 2-way union, 1 screwed union. Assisted steering. October 1963 - July 1965) | 1 | | | | | | |
| DM 435-43 | Pipe for return from the correctors to the 3-way union, 2 screwed unions. Until June 1963. | 1 | | | | | | |

The numbers underlined indicate new parts which do not appear on the illustration.



194—STEERING PIPING (ASSISTED STEERING)

| NUMBER | DESCRIPTION | No. OFF | NUMBER | DESCRIPTION | No. OFF | NUMBER | DESCRIPTION | No. OFF |
|-------------|--|---------|-------------|---|---------|-------------------|--|-------------|
| DS 314-195 | Tube, rubber, 5 x 11, between piping assembly and 4-way union, 150 mm long. Since June 1963. | 1 | DM 391-102a | Connecting pipe between pressure regulator and distribution unit (pressure regulator end). | 1 | DM 435-25a | Tube connecting pressure regulator to safety valves (safety valve side). | 1 |
| DS 391-48a | 4-way union for suspension (2 tubes). Until June 1963. Replaced by DS 391-48c; order in addition: 1-DS 314-195, 1-DS 334-93, 1-DS 435-41b, 1-DM 444-82a. | 1 | D 391-105 | Bush, flexible, under clip securing connecting pipe, internal diameter 15 mm. - 4-way union to pressure regulator. | 2 | DM 435-47a | Tube connecting safety valve to 3-way union. | 1 |
| DS 391-48b | 4-way union (nylon) for suspension (2 tubes 11 mm diameter, 2 tubes 6.5 mm diameter) (R. VI). June 1963 to October 1963. Replaced by DS 391-48c; order in addition: 1-DS 334-93, 1-DS 435-41b. | 1 | D 391-108 | Bush, flexible, under securing clip, internal diameter 19 mm: - connecting pump to reservoir. | 2 | DS 444-18c | Control piping for rack and pinion. L.H. steering. | 1 |
| DS 391-48c | Union (nylon) 4-way for suspension (2 tubes 11 mm diameter, 1 tube 8 mm diameter, 1 tube 6.5 mm diameter) (R. VI). Since October 1963. | 1 | DF 391-122 | Pipe, rubber, 7 x 14 x 945 between 4-way union and reservoir. Until June 1963. | 1 | DM 444-49 | Tube connecting steering feed pipes (1 2-way union, 1 3-way union). | 1 |
| DS 391-71 | Rubber pad supporting 4-way union. | 1 | DM 391-122a | Tube, rubber, 7 x 14, between 4-way union and reservoir, internal diameter 7 mm and 10 mm x 945 mm long. Since June 1963. | 1 | <u>DS 444-68a</u> | Control piping for rack and pinion. R.H. steering. | 1 |
| DF 391-84 | Connecting pipe complete between pump and pressure regulator. | 1 | DS 391-126 | Tube, rubber, connecting reservoir to suspension pump, 18 mm diameter x 780 mm long. | 1 | DM 444-82 | Control piping for rack and pinion (one flange, two screwed unions). Until June 1963. | 1 |
| DF 391-100 | Pipe, rubber, connecting pressure regulator to 4-way union, 430 mm long. Until June 1963. | 1 | D 391-127 | Sleeve, protecting flexible pipe connecting pressure regulator to 4-way union. | 1 | DM 444-82a | Control piping for rack and pinion (one screwed union, one tube 6.35, one flange). Since June 1963. | 1 |
| DM 391-100a | Pipe, rubber, 7 x 14, connecting pressure regulator to 3-way union, internal diameter 7 mm and 10 mm x 235 mm long. Since June 1963. | 1 | D 392-90 | Sleeve, rubber, 6 x 11 x 11 for piping union between pump and pressure regulator. | 2 | 2. 319-S | Nut, hex., 5 x 75, for securing 4-way union (R. III). | 1 |
| | | | | | | 89.156 | Screw, hex. head, 5 x 40, for securing 4-way union (R. III). | 1 |
| | | | | | | 614.007 | Clip, 190 mm long, for securing (R. VI): - tubes, connecting pumps to reservoir. - 4-way union to pressure regulator. - 4-way union to reservoir. | 2 2 2 |



HYDRAULIC BRAKE PIPING-197

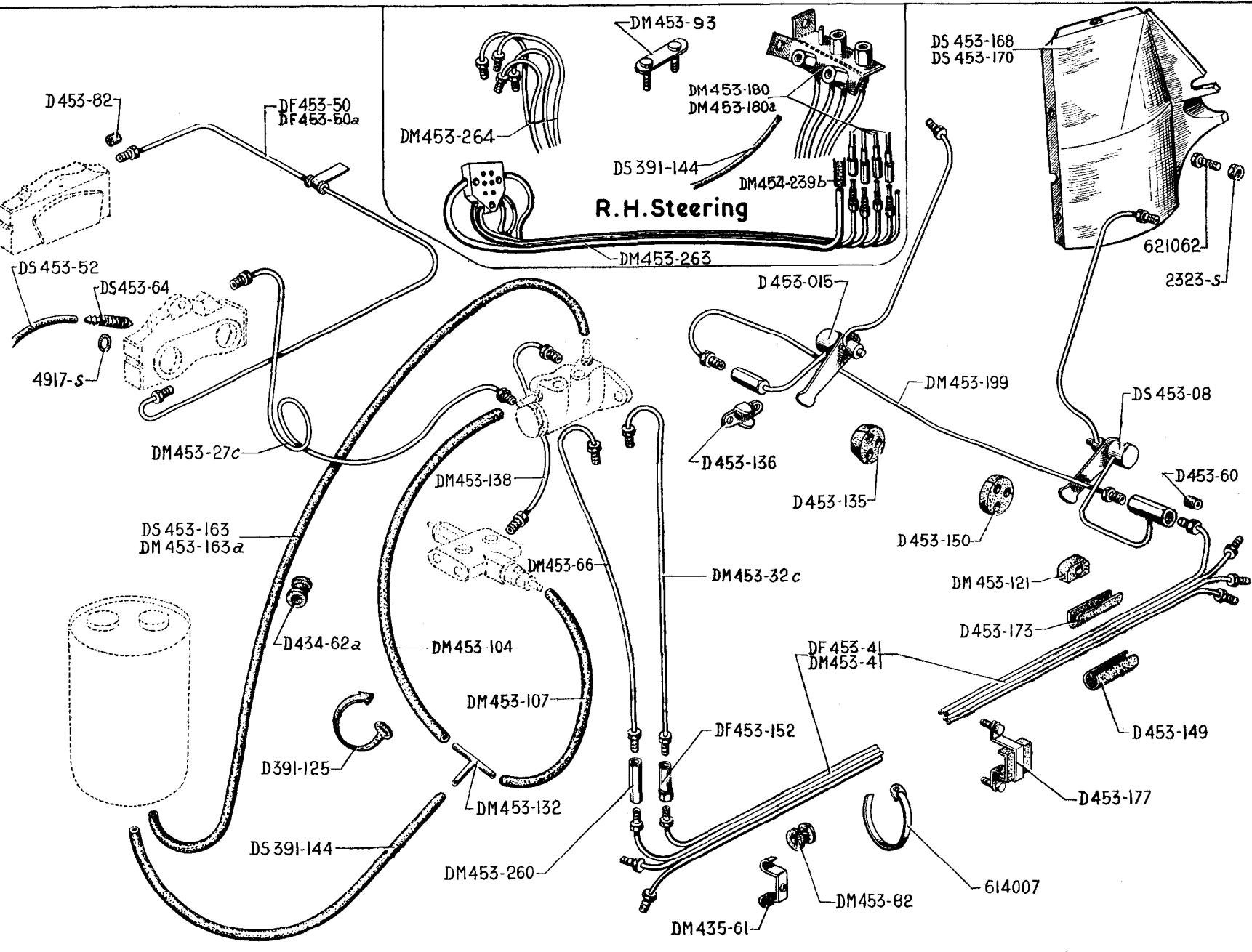
| NUMBER | DESCRIPTION | No. OFF |
|--------------------------|---|---------|
| Until August 1961 | | |
| D 434-62a | Protective bush under clip securing piping between reservoir and connecting pipe to master cylinder. Internal diameter 11.5 mm. Since February 1958. | 2 |
| DM 435-32 | Rear general piping for brake and suspension. | 1 |
| D 435-150 | Sleeve, rubber, protecting rear brake pipe, 4 x 9 x 15. | 2 |
| DM 453-08 | Piping, swivelling, complete for left-hand and rear brake. | 1 |
| D 453-015 | Piping, swivelling, complete for right-hand rear brake (with 2-way union). | 1 |
| DM 453-024 | Piping, Rilsan, 5 x 6, for brake return to reservoir (with connecting sleeves). Left-hand steering. Since February 1958. Right-hand steering. Since September 1960. | 1 |
| DM 453-16 | Piping for front brakes with unions and retaining clip (between brake control units). Until February 1961. | 1 |
| DM 453-27 | Feed pipe with unions for front brake. Left-hand steering. Until February 1958. Right-hand steering. | 1 |
| DM 453-27a | Feed pipe with unions for front brake (between master cylinder and front brake control unit, left-hand). Left-hand steering. Since February 1958. | 1 |
| DM 453-31a | Pipe, 4.5 mm diameter for front brake. Right-hand steering. | 1 |
| DM 453-32 | Pipe, 4.5 mm diameter with unions for connecting between master cylinder and rear general piping. Left-hand steering. Until February 1958. | 1 |

| NUMBER | DESCRIPTION | No. OFF |
|------------|--|---------|
| DM 453-32a | Pipe, 4.5 mm diameter with union for connecting between master cylinder and rear general piping (1 rubber protector). Left-hand steering. Since February 1958. | 1 |
| DF 453-50 | Piping for front brakes, 2 screwed unions. Since February 1961. | 1 |
| DS 453-52 | Flexible pipe, 5 x 7 x 400 for front brake bleed screw (R. VI). Since January 1961. | 1 |
| DM 453-55a | <i>Bleed pipe for front brakes. Until January 1961. Replaced by DS 453-64; order in addition: 1-DS 453-52 (R. VI).</i> | 1 |
| D 453-58 | Screw, 5 diameter x 21.5 long, locking pivoting union, rear. | 2 |
| D 453-60 | Rubber sleeve, 6.5 x 10 x 11, connecting to master cylinder. | 1 |
| DS 453-64 | Bleed screw for front brake with joint, threaded 9 diameter x 125 pitch, 38 mm long. Since January 1961. | 1 |
| DM 453-67a | Pipe, 6.35 mm diameter for connection between master cylinder and reservoir. Right-hand steering. Until September 1960. | 1 |
| DM 453-67c | <i>Pipe, 6.35 mm diameter and 8 mm connecting master cylinder to reservoir. Right-hand steering. Since September 1960. No longer supplied.</i> | 1 |
| D 453-82 | Rubber sleeve, for piping unions, 4.5 x 6.5 x 11. | As nec. |
| DM 453-105 | Union for feed to master cylinder, threaded 16 diameter x 150 pitch and 12 diameter x 100 pitch, 35.5 mm long. Until February 1958. | 1 |

| NUMBER | DESCRIPTION | No. OFF |
|-------------|--|---------|
| DM 453-105a | Union for feed to master cylinder, threaded 16 diameter x 150 pitch and 12 diameter x 125 pitch. Since February 1958. | 1 |
| DM 453-121 | Rubber protector for swivel piping of left-hand rear brake (R. VI). | 1 |
| D 453-135 | Rubber plug for sealing piping on rear wheel arch, 2 holes 4.5 mm diameter and 1 hole 8 mm diameter. | 2 |
| D 453-136 | Lug retaining rear swivelling piping distance between centres 29 mm. | 2 |
| D 453-141b | Support plate for bleed pipe for right-hand front brake control unit. Until January 1961. | 1 |
| D 453-144a | Bleed screw, for front brake control unit, threaded 5 diameter x 75 pitch. Until January 1961. | 1 |
| D 453-150 | Rubber sleeve retaining rear piping, 35 mm diameter, 20 mm thick. | 1 |
| DS 453-168 | <i>Shield protecting swivelling piping for rear left-hand brake. Replaced by DS 453-168a.</i> | 1 |
| DS 453-170 | <i>Shield protecting swivelling piping for rear right-hand brake. Replaced by DS 453-170a.</i> | 1 |
| DM 453-195 | Pipe, 8 mm diameter with union between reservoir and cylinder. Left-hand steering. Until February 1958. | 1 |
| DM 453-195a | Pipe, 6.35 mm diameter with union between master cylinder and reservoir (1 union threaded 12 diameter x 125 pitch). Left-hand steering. Since February 1958. | 1 |
| DM 453-199 | Pipe, 4.5 mm diameter with unions between 3-way union and 2-way union for rear brake, right-hand. | 1 |
| DM 453-241 | Sleeve, rubber, connecting Rilsan tube for return from brakes to reservoir, 5 x 11 x 15 x 50. Since February 1958. | 2 |

198—HYDRAULIC BRAKE PIPING

| NUMBER | DESCRIPTION | No. OFF | NUMBER | DESCRIPTION | No. OFF | NUMBER | DESCRIPTION | No. OFF |
|-------------|---|---------|-----------|---|---------|---------|---|---------|
| DM 453-242 | Pipe, rubber, 5 x 11 x 65, between reservoir and pipe connecting to master cylinder. Since February 1958. | 1 | DM453-253 | Pipe, 4.5 mm diameter between master cylinder and 2-way union. Right-hand steering. | 1 | 4.917-S | Ring seal, 3.4 x 7.2 x 1.9, for front brake bleed screw (R. VI). Since January 1961. | 1 |
| DM 453-242a | Pipe, flexible, 7 mm diameter, 1.350 mm long from reservoir to master cylinder. Right-hand steering. Since September 1960. | 1 | DM453-255 | Pipe, 4.5 mm diameter between 2-way union and rear general piping. Right-hand steering. | 1 | 550.886 | Joint, rubber, 34 x 45 for brake reservoir cap (R. VI). | 1 |
| DM 453-246 | Pipe, Rilsan, for return from brakes to reservoir, 1.673 mm long (with sleeves). Right-hand steering. Until September 1960. | 1 | 483-S 30 | Screw, hex. head, pointed, 7 diameter x 15 long, securing brake reservoir (R. III). | 2 | 550.887 | <i>Cap for brake reservoir complete (R. VI). No longer supplied.</i> | 1 |
| DM 453-251 | <i>Sleeve, rubber, connecting piping, internal diameter 5 mm and 9 mm, 58 mm long (R. VI). Right-hand steering. No longer supplied.</i> | 1 | 2.323-S | Nut, hex., 5 diameter x 75 pitch (R. III): - for stop screw of rear pivoting union. - securing screen for rear swivelling piping. | 2 5 | 614.007 | Clip, securing rubber pipe between reservoir and master cylinder, 190 mm long (R. VI). Since February 1958. | 2 |
| | | | 2.478-S | Joint, 16.3 x 22, for master cylinder union screw (R. VI). | 1 | 621.062 | Screw, hex. head, 5 diameter x 14 long, securing rear swivelling piping protection shield (R. III). | 6 |



| NUMBER | DESCRIPTION | No. OFF | NUMBER | DESCRIPTION | No. OFF | NUMBER | DESCRIPTION | No. OFF |
|-------------------|---|---------|-------------------|--|---------|--------------------|--|---------|
| | Since August 1961 | | | | | | | |
| D 391-125 | Flexible clip securing connecting pipe from security valve to brake control, 62 mm long. | 1 | DF 453-50a | Piping for front brake. Since September 1962. | 1 | D 453-136 | Clamp retaining rear swivelling piping, distance between centres: 29 mm. | 2 |
| DS 391-144 | Piping, Rilsan, 1,200 mm long (R. VI): - for overflow return from 3-way union to reservoir. - for return from brake control to feed pipe assembly support. R.H. steering. | 1 1 | DS 453-52 | Flexible pipe, 5 x 7 x 400, for front brake bleed screw (R. VI). | 1 | DM 453-138 | Connecting pipe between security valve and brake control, 2 screwed unions. | 1 |
| <u>DV 394-134</u> | Assembly, right-hand, connecting brake control. R.H. steering. Since July 1965. | 1 | D 453-60 | Rubber sleeve, for piping union, 6.5 x 10 x 11. | 2 | D 453-149 | Protection shield for rear general piping, 15 x 20 x 80. | 1 |
| <u>DV 394-135</u> | Assembly, left-hand, connecting brake control. L.H. steering. Since July 1965. | 1 | DS 453-64 | Bleed screw for front brake with joint, threaded 9 diameter x 125 pitch, 38 mm long. | 1 | D 453-150 | Rubber sleeve, retaining rear piping, 35 mm diameter, 20 mm thick. | 2 |
| D 434-62a | Protective sleeve under clip securing brake control return to reservoir, internal diameter 11.5 mm. | 2 | DM 453-66 | Pipe connecting brake control to general piping. | 1 | DF 453-152 | 2-way union from brake piping, threaded 9 diameter x 125 pitch and 12 diameter x 125 pitch. | 1 |
| DM 435-61 | Bracket for piping, 1 hole 5.5 mm diameter. | 3 | D 453-82 | Rubber sleeve, for piping union, 4.5 x 6.5 x 11. | As nec. | DM 453-163a | Rubber pipe, 5 x 11 x 1,965 for brake return to reservoir. Right-hand steering. | 1 |
| DS 453-08 | Swivelling piping complete for rear brake, left-hand. Cylindrical union, length 50.5 mm. | 1 | DM 453-82 | Protection sleeve, for piping, 14 x 19 (R. VI). | 3 | DS 453-163 | Rubber pipe, 5 x 11 x 980 for return to reservoir from brake control. | 1 |
| D 453-015 | For swivelling piping complete, for rear brake, right-hand. | 1 | DF 453-93 | Backplate, securing plate retaining brake pipe assembly, 2 screws, distance between centres: 43 mm. Right-hand steering. | 2 | DS 453-168 | <i>Protection shield for rear swivelling piping, left-hand. Until July 1964. Replaced by DS 453-168a.</i> | 1 |
| DM 453-27c | Feed pipe for front brake, 2 screwed unions. | 1 | DM 453-104 | Rubber pipe, 3 x 8 x 40, for overflow return from brake control to 3-way union (R. VI). | 1 | <u>DS 453-168a</u> | Protection shield for rear swivelling piping, left-hand. Since July 1964. | 1 |
| DM 453-32c | Connecting pipe between brake control and rear general piping, 2 screwed unions. | 1 | DM 453-107 | Rubber pipe, 3 x 8 x 530, for overflow return from security valve to 3-way union (R. VI). | 1 | DS 453-170 | <i>Protection shield for rear swivelling piping, right-hand. Until July 1964. Replaced by DS 453-170a.</i> | 1 |
| DF 453-41 | General piping for piping on rear circuit (rear part) 8 screwed unions. | 1 | DM 453-121 | Rubber protector for rear brake swivelling piping, left-hand (R. VI). | 1 | <u>DS 453-170a</u> | Protection shield for rear swivelling piping, right-hand. Since July 1964. | 1 |
| DM 453-41 | <i>General piping for rear system, 4 pipes. Replaced by DF 453-41; order in addition: 1-DF 435-42, 1-DF 435-44.</i> | 1 | DM 453-132 | 3-way union for overflow return (R. VI). | 1 | D 453-173 | Protection sleeve, for rear general piping, 50 mm long. | 1 |
| DF 453-50 | Piping for front brake, 2 screwed unions. Until September 1962. | 1 | D 453-135 | Rubber plug sealing piping on rear wheel arch, 2 holes 4.5 mm diameter, 1 hole 8 mm diameter. Until February 1963. | 2 | D 453-177 | Clip with rubber, securing rear general piping, distance between centres 53 mm. | 1 |
| | | | <u>DS 453-135</u> | Sealing plug for piping on rear wheel arch, internal diameter 18 mm, 2 holes 4.5 mm, 1 hole 8 mm (R. VI). Since February 1963. | 2 | DM 453-180 | Feed pipe assembly for brake control, 4 screwed unions, 4 2-way unions. Right-hand steering. Until October 1962. | 1 |

The numbers underlined indicate new parts which do not appear on the illustration.

202—HYDRAULIC BRAKE PIPING

| NUMBER | DESCRIPTION | No. OFF | NUMBER | DESCRIPTION | No. OFF | NUMBER | DESCRIPTION | No. OFF |
|-------------|---|---------|------------|--|---------|---------|--|---------|
| DM 453-180a | Pipe assembly for brake control, 8 2-way unions. Right-hand steering. October 1962 - July 1965. | 1 | DM 453-260 | 2-way union for brake piping, threaded 9 diameter x 125 pitch. | 1 | 2.323-S | Nut, hex., 5 diameter x 75 pitch (R. III): | |
| DM 453-199 | Pipe, 4.5 mm diameter with unions, between 3-way union and 2-way union of rear brake, right-hand. | 1 | DM 453-263 | Pipe assembly between brake control pipe assembly and brake feed pipe assembly, 1 flange, 4 screwed unions. Right-hand steering. October 1962 - July 1965. | 1 | | - for screw locking rear swivelling union. | 2 |
| DM 453-239b | Flexible pipe connecting brake feed pipe and reservoir, 1,435 mm long. Right-hand steering. Since October 1962. | 1 | DM 453-264 | Piping for brake system and for brake control feed pipe assembly (R. VI). Right-hand steering. Since October 1962. | 1 | 4.917-S | Ring seal, 3.4 x 7.2 x 1.9, for front brake bleed screw (R. VI). | 1 |
| | | | | | | 614.007 | Clip, 190 mm long, securing protection sheath for rear general piping (R. VI). | 1 |
| | | | | | | 621.062 | Screw, hex. head, 5 diameter x 14 long, securing protection shield for rear general piping (R. III). | 6 |

| NUMBER | DESCRIPTION | No. OFF | NUMBER | DESCRIPTION | No. OFF | NUMBER | DESCRIPTION | No. OFF |
|-----------|--|---------|-------------|--|---------|------------|---|-------------|
| D 435-149 | Sealing sleeve, rubber, for adjustable control rod, 6 x 36 x 60. | 1 | DM 437-80 | Bell crank lever for height control. | 1 | DM 437-119 | Locknut, 5 diameter x 75 pitch, for front and rear link rods of height control. | 2 |
| DM 437-5 | Link rod, rear, for height control, 2.170 mm long. | 1 | DM 437-101 | Link rod, front for height control, 81 mm long, threaded 5 diameter x 75 pitch. | 1 | DM 437-123 | Clevis, for front and rear link rods of height control, 35 mm long, threaded 5 diameter x 75 pitch. | 2 |
| DM 437-6 | Lever with knob for height control. | 1 | DM 437-109 | Bearing, nylon, for rear link rod of height control (for hole 8 mm diameter) (R. VI). | 4 | 124-S 30 | Screw, round head, 5 diameter x 10 long, securing quadrant on scuttle side panel (R. III). | 2 |
| DM 437-8a | Torsion rod, front, complete for height control. | 1 | DM 437-110 | Link rod, with clevis, for rear height control, 96 mm long. | 1 | 127-S | Screw, round head, 5 diameter x 20 long (R. III) securing: - locking collar on control lever with knob. 1 - locking collar on front and rear torsion rod. 2 | 1 2 |
| DM 437-9 | Torsion rod, rear, complete for height control. | 1 | DM 437-112 | Nut, 5 diameter x 75 pitch, locking front and rear link rods for height control, length 11.5 mm (R. VI). | 2 | 2.319-S | Nut, hex., 5 diameter x 75 pitch (R. III) securing: - front link rod on clevis. 1 - locking collar on front and rear torsion rod. 2 - locking collar on control lever with knob. 1 | 1 2 1 |
| DM 437-55 | Link rod, adjustable between front torsion rod and height control. | 1 | DM 437-113 | Link pin on height control lever. | 1 | | | |
| DM 437-73 | Quadrant for height control lever. | 1 | DM 437-118a | Collar, locking lateral movement of height control, front torsion rod. | 1 | | | |

206—MANUAL HEIGHT CONTROL (RIGHT-HAND STEERING)

| NUMBER | DESCRIPTION | No. OFF | NUMBER | DESCRIPTION | No. OFF | NUMBER | DESCRIPTION | No. OFF |
|------------|--|---------|-------------|---|---------|-------------|---|---------|
| | Since October 1962 | | | | | | | |
| D 435-149 | Rubber sleeve, sealing front connecting rod, 6 x 36 x 60. | 1 | DM 437-73a | Quadrant for height control lever, 30 mm long (R. VI). | 1 | DM 437-123 | Clevis for front connecting rod of height control, 35 mm long, threaded 5 diameter x 75 pitch. | 1 |
| DM 437-5a | Connecting rod, rear, for manual height variation control, 1.564 mm long. | 1 | DM 437-76 | Connecting tube, front, 562 mm long, tapped 5 diameter x 75 pitch (R. VI). | 1 | DM 437-123a | Clevis for rear connecting rod of height control, 63 mm long, threaded 5 diameter x 75 pitch (R. VI). | 1 |
| DM 437-6b | Lever with knob for manual height control, 227 mm long. | 1 | DM 437-82 | Bell crank lever, for height control (R. VI). | 1 | DM 437-148 | Support, for bell crank spindle of height control, 23.2 mm diameter (R. VI). | 1 |
| DM 437-8a | Torsion rod, front, complete for height variation control. | 1 | DM 437-101 | Connecting rod front, for height control, 8 mm long, threaded 5 diameter x 75 pitch. | 1 | DM 437-149 | Bearing for bell crank spindle of height control, 19.5 mm diameter x 23 mm x 8.5 mm (R. VI). Until January 1964. | 2 |
| DM 437-9 | Torsion rod, rear, complete for height variation control. | 1 | DM 437-109 | Bearing, nylon, for rear connecting rod of height control (for 8 mm hole) (R. VI). | 3 | DM 437-149a | Bearing for bell crank spindle of height control, 19.5 mm diameter x 23 mm x 8.5 mm (with pin to prevent rotation) (R. VI). Since January 1964. | 2 |
| DM 437-50 | Spindle, for bell crank lever of height control, 1.352 mm long (R. VI). | 1 | DM 437-110 | Rod with clevis connecting rear height control, 96 mm long. | 1 | 127-S | Screw, round head, 5 diameter x 20 long, securing locking clip on connecting rod (R. III). | 2 |
| DM 437-55a | Connecting rod, adjustable, between front torsion rod and height control, threaded 5 diameter x 75 pitch (R. VI). | 1 | DM 437-112 | Nut, 5 diameter x 75 pitch, locking front and rear connecting rods of height control, 11.5 mm long. | 2 | 295-S 30 | Screw, hex. head, pointed, 5 diameter x 16 long (R. III) securing: - support for bell crank spindle. - quadrant on sidemember. | 2 2 |
| DM 437-58 | Screw, hex. head, 6 diameter x 100 pitch, length under head 25 mm, plain portion 8 mm diameter for tightening height control bell crank lever (R. VI). | 1 | DM 437-113 | Connecting pin on height control lever. | 1 | 2.320-S | Nut, hex., 5 diameter x 75 pitch (R. III): - for front connecting rod on clevis. - for locking clip on front and rear connecting rod. | 1 2 |
| | | | DM 437-118a | Collar locking front torsion rod on height control. | 2 | 2.369-S | Nut, hex., 6 diameter x 100 pitch, securing height control bell crank lever (R. III). | 1 |
| | | | DM 437-119 | Locknut, 5 diameter x 75 pitch, locking front and rear connecting rods of height control. | 2 | | | |

INSTRUMENT PANEL (6 VOLTS)—BATTERY—GLOVE BOX—WINDSCREEN WASHER—209

| NUMBER | DESCRIPTION | No. OFF | NUMBER | DESCRIPTION | No. OFF | NUMBER | DESCRIPTION | No. OFF |
|------------|---|---------|-------------|---|---------|-----------|---|---------|
| | U.S.A. Until May 1959 ALL TYPES Until September 1960 INSTRUMENT PANEL SWITCHES CHOKE CONTROL | | DM 521-83a | Speedometer cable "ED" (part on gearbox side), length 1.030 mm (R. VI). Left-hand steering. Since March 1959. | 1 | DM 532-10 | Tell-tale light, red, for battery charge (R. VI). | 1 |
| DM 211-1 | Ignition control, length 40 mm (R. VI). | 1 | DM 521-83d | Speedometer cable "ED" (Veglia), (part on gearbox side), length 1.730 mm (R. VI). Right-hand steering. | 1 | DS 861-43 | Lock barrel, for ignition switch (R. VI). | 1 |
| D 211-56 | Bush, rubber, 4 x 16 x 20, sealing choke control. | 1 | DM 521-84a | Speedometer cable "ED" (part on speedometer side), length 270 mm (R. VI). Since March 1959. | 1 | 2.312-S | Washer, 5.5 x 12, for nut securing instrument panel (R. III). | 4 |
| DM 212-14a | Ignition switch with starter control button, without lock barrel (R. VI). | 1 | D 521-96 | Rubber sleeve, 8 x 22 x 20, protecting speedometer cable. | 2 | 2.319-S | Nut, hex., 5 diameter x 75 pitch, for screw securing instrument panel (R. III). | 2 |
| DM 521-02b | Instrument panel, 6 volts, "ED", (Veglia) complete with clock (R. VI). CONFORT. Left-hand steering. | 1 | DM 521-102 | Glass for "ED" (Veglia) instrument panel (R. VI). Left-hand steering. | 1 | 706.542 | Bulb, 6 volts, 4 watts, 2 contacts, for direction indicator switch (R. VI). | 1 |
| DM 521-02d | Instrument panel, 6 volts, "ED", (Veglia), complete without clock (R. VI). (Except CONFORT). Left-hand steering. | 1 | DM 521-102a | Glass for "ED" (Veglia) instrument panel, graduated in miles (R. VI). Right-hand steering and U. S. A. | 1 | 706.616 | Bulbs 6 volts, 1.5 watts, 11 mm bulb, for instrument panel lighting (R. VI). | 2 |
| DM 521-03a | Instrument panel, 6 volts, complete "ED" (Veglia) without clock, graduated in miles (R. VI). Right-hand steering. No longer supplied. | 1 | D 522-02 | Switch for lighting and horn (R. VI). Right-hand steering. Replaced by: AM 522-02. | 1 | 706.639 | Bulb, 12 volts, 1.5 watts, for battery tell-tale light (R. VI). | 1 |
| DM 521-08a | Instrument panel, 6 volts, complete "ED" (Veglia), without clock, graduated in miles (R. VI). U. S. A. No longer supplied. | 1 | DM 522-02 | Switch for lighting and horn (R. VI). Left-hand steering. Replaced by: DM 522-02b. | 1 | | BATTERY | |
| DM 521-1c | Petrol gauge "ED", (Veglia), (R. VI). Left-hand steering. | 1 | DM 522-05a | Switch "Scintex" for direction indicators (R. VI). Except U. S. A. Until June 1960. | 1 | | <i>(Apply direct to makers: DININ, TUDOR, TEM, FULMEN or their official agents).</i> | |
| DM 521-2 | Clock, Jaeger, 6 volts, on "ED" (Veglia) instrument panel (R. VI). CONFORT. No longer supplied. | 1 | DM 522-06 | Switch "Scintex" for direction indicators (R. VI). U. S. A. | 1 | DM 531-2a | Bracket for battery. Replaces type fitted until June 1960; order in addition: 1-DM 531-87a. | 1 |
| DM 521-3b | Speedometer cable "ED" (Veglia), length 1.315 mm (R. VI). Until March 1959. Replaced by: DM 521-83a; order in addition: 1-DM 521-84a. | 1 | DM 522-08 | Switch "AXO" 6 volts, for direction indicators (R. VI). Since June 1960. | 1 | DM 531-3 | Tray for battery (R. VI). | 1 |
| DM 521-11 | Petrol gauge "ED" (Veglia) (R. VI). Right-hand steering and U. S. A. | 1 | DM 522-9 | Switch for parking light (R. VI). Since September 1958. | 1 | DM 531-72 | Spring on battery stay, internal diameter 8.5, length 23 mm. | 2 |
| | | | DM 522-10 | Switch for windscreen wipers and interior lighting (R. VI). | 2 | DM 531-73 | Distance piece, 9.5 x 16 x 25.5, for securing battery bracket. | 1 |
| | | | D 522-12a | Rheostat, 6 volts, for instrument panel light (R. VI). | 1 | | | |
| | | | DM 525-2b | Choke control, 470 mm long (R. VI). NORMALE. | 1 | | | |
| | | | DM 525-2c | Choke control, 670 mm long (R. VI). LUXE. | 1 | | | |
| | | | DS 525-99 | Rubber tube, anti-rattle, for choke control, 200 mm long. | 1 | | | |

210-INSTRUMENT PANEL (6 VOLTS)-BATTERY-GLOVE BOX-WINDSCREEN WASHER

| NUMBER | DESCRIPTION | No. OFF | NUMBER | DESCRIPTION | No. OFF | NUMBER | DESCRIPTION | No. OFF |
|--|---|---------|--|--|---------|---|--|---------|
| D 531-83 | Pipe, 8 x 10, for draining water from battery tray, 500 mm long (R. VI). | 1 | DM 651-5a | Glove box. Right-hand steering. | 1 | DS 564-72a | <i>Reservoir without cover or collar (R. VI). Replaced by DS 564-03c.</i> | 1 |
| DM 531-87 | Stay, rear, for securing battery frame, threaded 7 diameter x 100 pitch, 270 mm long. Until June 1960. | 1 | DM 651-6a | Cover for glove box. Right-hand steering. | 1 | DM 564-103 | Suction pipe, 6 mm diameter, 1 m long (R. VI). | 1 |
| DM 531-87a | Stay, rear, securing battery frame, threaded 7 diameter x 100 pitch, 270 mm long. Since June 1960. | 1 | DM 651-62b | Knob for opening cover (R. VI). | 1 | DS 564-105 | Protector, rubber, for pipes 1 hole 4 mm diameter, 1 hole 6 mm diameter (R. VI). | 1 |
| DM 531-92b | Frame securing battery, 3 fixing lugs for piping and 2 bars (R. VI). LUXE. Left-hand steering. | 1 | DM 651-82 | Surround for glove box. | 1 | WINDSCREEN WASHER WITH TWO NOZZLES | | |
| DM 531-92c | <i>Frame securing battery, with 3 fixing lugs for piping and 3 bars (R. VI). NORMALE. No longer supplied.</i> | 1 | DM 651-89 | Return spring for cover. | 2 | CONFORT | | |
| DM 531-100 | <i>Frame securing battery (R. VI). Right-hand steering. No longer supplied.</i> | 1 | DM 651-91 | Rubber stop for cover. | 1 | Since September 1958 | | |
| 485-S 30 | Screw, hex. head, 7 diameter x 30 long, securing battery bracket on sidemember (R. III). | 2 | DM 651-92 | Screw, flat head, 5 diameter x 10 long (cruciform slot), for securing cover (R. VI). | 2 | DS 564-03a | <i>Reservoir complete (R. VI). Replaced by DS 564-03c.</i> | 1 |
| 601-S 30 | Screw, hex. head, 9 diameter x 50 long, pointed, securing battery bracket on front engine crossmember (R. III). | 1 | DM 652-2 | Ashtray (R. VI): - front. LUXE. - front and rear. CONFORT. | 1 2 | DS 564-07b | Windscreen washer complete (R. VI). | 1 |
| 2.482-S | Washer, 7.5 x 14, for nuts locking spring on stay (R. III). | 2 | D 652-78 | Plate securing rear ashtray (R. VI). CONFORT. | 1 | DS 564-8c | Nozzle with two connections, right-hand side (R. VI). | 1 |
| 2.491-S | Nut, hex., 7 diameter x 100 pitch, securing battery stay (R. III). | 2 | DM 652-78 | Plate securing front ashtray (R. VI). | 1 | DS 564-8d | Nozzle with single connection, left-hand side (R. VI). | 1 |
| 619.106 | Washer, 9.5 x 24 x 2, for screw securing battery bracket to engine front crossmember (R. III). | 1 | 2.741-S | Screw, round head, 4.85 x 9.5, securing plate (R. VI). | 2 | DM 564-9 | Pump with two connections for 6 mm diameter pipe (R. VI). | 1 |
| GLOVE BOX FRONT AND REAR ASHTRAYS | | | WINDSCREEN WASHER WITH ONE NOZZLE | | | DS 564-54a | Joint for nozzle (R. VI). | 2 |
| DM 651-2 | Glove box. Left-hand steering. | 1 | CONFORT | | | DS 564-55b | Delivery pipe, 4 mm diameter from right-hand nozzle to left-hand nozzle, 1 m long (R. VI). | 1 |
| DM 651-3a | Cover. Left-hand steering. | 1 | Until September 1958 | | | DS 564-67a | Cover with joint (R. VI). | 1 |
| | | | DS 564-03a | <i>Reservoir complete (R. VI). Replaced by DS 564-03c.</i> | 1 | DS 564-72a | <i>Reservoir without cover or collar (R. VI). Replaced by DS 564-03c.</i> | 1 |
| | | | DM 564-07 | <i>Windscreen washer complete (R. VI). Replaced by DS 564-07b.</i> | 1 | DM 564-103 | Pipe, 6 mm diameter, suction from reservoir to pump and delivery from pump to right-hand nozzle, 1 m long (R. VI). | 2 |
| | | | DS 564-8a | Nozzle for two outlets (R. VI). | 1 | DM 564-105 | Protector, rubber, for pipes, 2 holes 6 mm diameter (R. VI). | 1 |
| | | | DS 564-9 | Pump, 1 union for 4 mm pipe and 1 for 6 mm pipe (R. VI). | 1 | | | |
| | | | DS 564-54a | Joint for nozzle (R. VI). | 1 | | | |
| | | | DS 564-55a | Delivery pipe, 4 mm diameter, 1.300 mm long (R. VI). | 1 | | | |
| | | | DS 564-67a | Cover with joint (R. VI). | 1 | | | |

INSTRUMENT PANEL (12 VOLTS)—BATTERY—GLOVE BOX—WINDSCREEN WASHER—213

| NUMBER | DESCRIPTION | No. OFF | NUMBER | DESCRIPTION | No. OFF | NUMBER | DESCRIPTION | No. OFF |
|------------|---|---------|-------------|---|---------|--|---|---------|
| | U.S.A. May 1959 - September 1960 TAXI March 1960 - September 1960 COLD CLIMATES June 1960 - September 1960 INSTRUMENT PANEL SWITCHES CHOKE CONTROL | | | | | | | |
| DM 211-1 | Ignition control, 440 mm long (R. VI). | 1 | DM 521-12a | Petrol gauge, 12 volts "ED", (Veglia) (R. VI). TAXI and COLD CLIMATES. | 1 | DM 522-06 | Switch "Scintex" for direction indicators (R. VI). U. S. A. Until June 1960. | 1 |
| D 211-56 | Bush, rubber, 4 x 16 x 20, sealing choke control. | 1 | DM 521-13b | Clock, Ultra, 12 volts, on instrument panel "ED" (Veglia) (R. VI). CONFORT. | 1 | DM 522-9 | Switch for parking light (R. VI). | 1 |
| DM 212-14a | Ignition switch, with starter control button, without lock barrel (R. VI). | 1 | DW 521-13 | Clock, Jaeger, 12 volts, on central cover of dashboard (R. VI). COLD CLIMATES. | 1 | DM 522-10 | Switch for windscreen wiper and interior lighting (R. VI). | 2 |
| DM 521-02q | Instrument panel, 12 volts "ED", (Veglia) complete, without clock (R. VI). LUXE. TAXI. | 1 | DM 521-15 | Water temperature gauge on instrument panel "ED" (Veglia) 12 volts (R. VI). COLD CLIMATES. | 1 | DM 522-12 | Rheostat switch, 12 volts, for instrument panel light (R. VI). | 1 |
| DM 521-02s | <i>Instrument panel, 12 volts, "ED", (Veglia) complete, with clock (R. VI). CONFORT. TAXI. Replaced by DM 521-03r.</i> | 1 | DA 521-78 | Joint, rubber, 48 x 54 x 2, between clock and central cover of dashboard (R. VI). COLD CLIMATES. | 1 | DM 525-2c | Choke control, 670 mm long (R. VI). | 1 |
| DM 521-02z | <i>Instrument panel, 12 volts, "ED" (Veglia) with water temperature gauge, graduated in km (R. VI). COLD CLIMATES. Replaced by DM 521-07k.</i> | 1 | DM 521-83a | Speedometer cable "ED" (part on gearbox side), length 1.030 mm (R. VI). | 1 | DS 525-99 | Rubber, anti-rattle, for choke control, 200 mm long. | 1 |
| DM 521-03m | Instrument panel, 12 volts complete "ED", (Veglia) with clock and tell-tales, graduated in miles (R. VI). U. S. A. | 1 | DM 521-84a | Speedometer cable "ED" (part on speedometer side), length 270 mm (R. VI). | 1 | DM 532-10 | Tell-tale light, red for battery charge (R. VI). | 1 |
| DM 521-12 | Petrol gauge, 12 volts "ED", (Veglia) (R. VI). U. S. A. | 1 | D 521-96 | Bush, rubber, 8 x 22 x 20, protecting speedometer cable. | 2 | DS 861-43 | Lock barrel, for ignition switch (R. VI). | 1 |
| | | | DM 521-102 | Glass for "ED" (Veglia) instrument panel (R. VI). TAXI. | 1 | 2.312-S | Washer, 5.5 x 12, for nuts securing instrument panel (R. III). | 4 |
| | | | DM 521-102a | Glass for "ED" (Veglia) instrument panel, graduated in miles (R. VI). U. S. A. | 1 | 2.319-S | Nut, hex., 5 diameter x 75 pitch, for screw securing instrument panel (R. III). | 2 |
| | | | DM 521-102b | Glass for "ED" (Veglia) instrument panel, graduated for water temperature gauge (R. VI). COLD CLIMATES. | 1 | 706.639 | Bulb, 12 volts, 1.5 watt, 11 mm bulb for instrument panel lighting (R. VI). | 2 |
| | | | DM 522-02 | <i>Switch for lighting and horns (R. VI). TAXI and COLD CLIMATES. Replaced by DM 522-02b.</i> | 1 | 706.715 | Bulb, 24 volts, 3 watts, for battery tell-tale light (R. VI). | 1 |
| | | | DM 522-05b | Switch, 12 volts (Axo), for direction indicators (R. VI). TAXI. | 1 | BATTERY | | |
| | | | DM 522-05c | Switch "Axo" 12 volts, for direction indicators (R. VI). U. S. A. Since June 1960. | 1 | <i>(Apply direct to makers: DININ, TUDOR, TEM, FULMEN or their official agents).</i> | | |
| | | | | | | DM 531-7a | Bracket for battery. Replaces type fitted until June 1960; order in addition: 1-DM 531-87a. | 1 |
| | | | | | | DM 531-8 | <i>Tray for battery (R. VI). Replaced by DS 531-60.</i> | 1 |
| | | | | | | DM 531-62 | <i>Securing frame for battery ("Lucas" assembly) (R. VI). U. S. A. No longer supplied.</i> | 1 |

214—INSTRUMENT PANEL (12 VOLTS)—BATTERY—GLOVE BOX—WINDSCREEN WASHER

| NUMBER | DESCRIPTION | No. OFF | NUMBER | DESCRIPTION | No. OFF | NUMBER | DESCRIPTION | No. OFF |
|------------|--|---------|---|--|---------|---|--|---------|
| DM 531-72 | Spring on battery securing stay, internal diameter 8.5 mm, length 23 mm. | 2 | DM 651-82 | Surround for glove box. | 1 | DS 564-67a | Cover with joint (R. VI). | 1 |
| DM 531-73 | Distance piece, 9.5 x 16 x 25.5, for battery bracket. | 1 | DM 651-89 | Return spring for cover. | 2 | DS 564-72a | Glass reservoir without cover or collar (R. IV). Replaced by: DS 564-03c. | 1 |
| D 531-83 | Water drain tube, 8 x 10, on battery tray, length 500 mm (R. VI). | 1 | DM 651-91 | Rubber buffer for cover. | 1 | DM 564-103 | Pipe, 6 mm diameter, suction from reservoir to pump and delivery from pump to right-hand nozzle, 1 metre long (R. VI). | 2 |
| DM 531-87 | Stay, rear, for securing battery frame, threaded 7 diameter x 100 pitch, 270 mm long. Until June 1960. | 1 | DM 651-92 | Screw, flat head, 5 diameter x 10 long (cruciform slot), securing cover (R. VI). | 2 | DM 564-105 | Rubber block for protecting pipes, 2 holes 6 mm diameter. | 1 |
| DM 531-87a | Stay, rear, for securing battery frame, threaded 7 diameter x 100 pitch, 270 mm long. Since June 1960. | 1 | DM 652-2 | Ashtray (R. VI): - FRONT. LUXE. - FRONT and REAR. CONFORT. | 1 2 | BERLINE WITH PARTITION SPECIAL PARTS | | |
| DM 531-92f | Frame, securing battery with support for regulator (R. VI). | 1 | D 652-78 | Plate securing rear ashtray (R. VI). CONFORT. | 1 | D 652-74 | Cigar lighter, 12 volts (R. VI). | 1 |
| 485-S 30 | Screw, hex. head, 7 diameter x 30 long, securing battery bracket to sidemember (R. III). | 2 | DM 652-78 | Plate securing front ashtray (R. VI). | 1 | D 522-20 | Knob for switch (R. VI). | 1 |
| 601-S 30 | Screw, hex. head, pointed, 9 diameter x 50 long, securing battery bracket to engine front crossmember. | 1 | 2.741-S | Screw, round head, 4.85 x 9.5, securing plate (R. VI). | 2 | D 651-101 | Glove box (R. VI). | 1 |
| 2.482-S | Washer, 7.5 x 14, for nut locking spring on stay (R. III). | 2 | WINDSCREEN WASHER WITH TWO NOZZLES CONFORT | | | D 652-75 | Rear ashtray, black cover (R. VI). | 1 |
| 2.491-S | Nut, hex., 7 diameter x 100 pitch, securing battery stay (R. III). | 2 | DS 564-03a | Glass reservoir complete (R. VI). Replaced by: DS 564-03c. | 1 | D 652-75a | Rear ashtray, varnished cover (R. VI). | 1 |
| 619.106 | Washer, 9.5 x 24 x 2, for screw securing battery bracket to engine front crossmember (R. III). | 1 | DS 564-07b | Windscreen washer complete (R. VI). | 1 | D 522-19 | Switch, rear, for radio (R. VI). | 1 |
| DM 651-2 | Glove box. | 1 | DS 564-8c | Nozzle with two connections, right-hand side (R. VI). | 1 | D 522-21 | Switch, press-button for intercom or radio (R. VI). | 1 |
| DM 651-3a | Cover. | 1 | DS 564-8d | Nozzle with single connection, left-hand side (R. VI). | 1 | D 521-16 | Clock, Jaeger, 12 volts (R. VI). | 1 |
| DM 651-62 | Knob for opening cover (R. VI). | 1 | DM 564-9 | Pump with two connections for 6 mm diameter pipe (R. VI). | 1 | D 522-18 | Potentiometer for radio (R. VI). | 1 |
| | GLOVE BOX FRONT AND REAR ASHTRAYS | | DS 564-54a | Joint for nozzle (R. VI). | 2 | | | |
| | | | DS 564-55b | Delivery pipe, 4 mm diameter from right-hand nozzle to left-hand nozzle, 1 m long (R. VI). | 1 | | | |

INSTRUMENT PANEL 12 VOLTS IN KM (R. VI)—217

| Make of Panel | Number of Panel | Petrol Gauge | Clock | Temperature Gauge | Glass for Panel | Mileage Recorder | Types | Remarks |
|--|---|--------------|-------------------|-------------------|-----------------|------------------|---------------------------|---------|
| GRADUATED TO 160 KM—SEPTEMBER 1960—SEPTEMBER 1962 | | | | | | | | |
| E. D. Veglia | DM 521-02q | DM 521-12a | without | without | DM 521-102 | Total | Luxe. | |
| E. D. Veglia | DM 521-02s <i>Replaced by DM 521-03r</i> | DM 521-12a | DM 521-13b | without | DM 521-102 | Total | Confort. | |
| Jaeger | DM 521-02t <i>Replaced by DM 521-07q</i> | DM 521-1d | DM 521-2b | without | DM 521-102c | Total | Confort. | |
| E. D. Veglia | DM 521-02v <i>Replaced by DM 521-07g</i> | DM 521-12a | without | without | DM 521-102 | Total | Cold Climate. | |
| E. D. Veglia | DM 521-02z <i>Replaced by DM 521-07k</i> | DM 521-12a | without | DM 521-15 | DM 521-102b | Total | Europe, Cold Climates. | |
| E. D. Veglia | DB 521-02g | DM 521-12a | DM 521-13b | without | DM 521-102 | Total | South America. | |
| E. D. Veglia | DB 521-02e | DM 521-12a | without | without | DM 521-102 | Total and Trip | Europe, Luxe and Confort. | |
| E. D. Veglia | DM 521-02x <i>Replaced by DM 521-07i</i> | DM 521-12a | without | DM 521-15 | DM 521-102b | Total and Trip | Confort, Cold Climates. | |
| E. D. Veglia | DM 521-03x <i>Replaced by DM 521-07n</i> | DM 521-12a | DM 521-13b | without | DM 521-102 | Total and Trip | Cabriolet. | |
| GRADUATED TO 180 KM—SEPTEMBER 1962—SEPTEMBER 1964 | | | | | | | | |
| E. D. Veglia | DM 521-03e | DM 521-12a | without | without | DM 521-102e | Total | Luxe. | |
| E. D. Veglia | DM 521-03r | DM 521-12a | DM 521-13b | without | DM 521-102e | Total | Confort. | |
| Jaeger | DM 521-03s <i>Replaced by DM 521-07q</i> | DM 521-1d | DM 521-2b | without | DM 521-102f | Total | Confort. | |
| E. D. Veglia | DB 521-03e | DM 521-12a | DM 521-13b | without | DM 521-102e | Total | South America. | |
| E. D. Veglia | DM 521-07g | DM 521-12a | without | without | DM 521-102e | Total | Cold Climates. | |
| E. D. Veglia | DM 521-07k | DM 521-12a | without | DM 521-15 | DM 521-102k | Total | Europe, Cold Climates. | |
| E. D. Veglia | DM 521-07i | DM 521-12a | without | DM 521-15 | DM 521-102n | Total and Trip | Confort, Cold Climates. | |
| E. D. Veglia | DM 521-07n | DM 521-12a | DM 521-13b | without | DM 521-102m | Total and Trip | Cabriolet. | |
| Jaeger | <u>DM 521-07q</u> | DM 521-1d | <u>DM 521-13c</u> | without | DM 521-102f | Total | Confort. | |
| Since January 1964. | | | | | | | | |

NOTE - The panels are fitted with lights, for the sockets and bulbs for the tell-tales. See page 221.

The numbers underlined indicate new parts which do not appear on the illustration

218—INSTRUMENT PANEL 12 VOLTS GRADUATED IN MILES (R. VI)

| Make of Panel | Number of Panel Graduated to 120 Miles | Petrol Gauge | Clock | Temperature Gauge | Glass for Panel Graduated to 100 Miles | Glass for Panel Graduated to 120 Miles | Mileage Recorder | Types | Remarks |
|--------------------------------------|--|--------------|------------|------------------------------|--|--|------------------|--|--|
| SEPTEMBER 1960—SEPTEMBER 1964 | | | | | | | | | |
| E. D. Veglia | DM 521-03j | DM 521-12 | without | without | DM 521-102a | DM 521-102g | Total | Luxe, U.S. A. and Right-hand steering. | } <i>Replaces Panel graduated to 100 miles</i> |
| E. D. Veglia | DM 521-03m | DM 521-12 | DM 521-13b | without | DM 521-102a | DM 521-102g | Total | Confort, U.S. A. and Right-hand steering. | |
| E. D. Veglia | DM 521-03q | DM 521-12 | without | DA 521-15 (in Fahrenheit) | DA 521-102 <i>No longer supplied.</i> | DM 521-102h | Total | U.S. A. and Right-hand steering. Cold Climates. | |
| E. D. Veglia | DF 521-03g | DM 521-12 | without | without | DM 521-102a | DM 521-102i | Total and Trip | Right-hand steering. | |
| E. D. Veglia | DM 521-03u | DM 521-12 | without | DA 521-15 (in Fahrenheit) | DA 521-102 <i>No longer supplied.</i> | DM 521-102j | Total and Trip | Confort, Right-hand steering. Cold Climates. | |

NOTE - The panels are fitted with lights, for the sockets and bulbs for the tell-tales. See page 221.

INSTRUMENT PANEL (12 VOLTS)—BATTERY—GLOVE BOX—WINDSCREEN WASHER—221

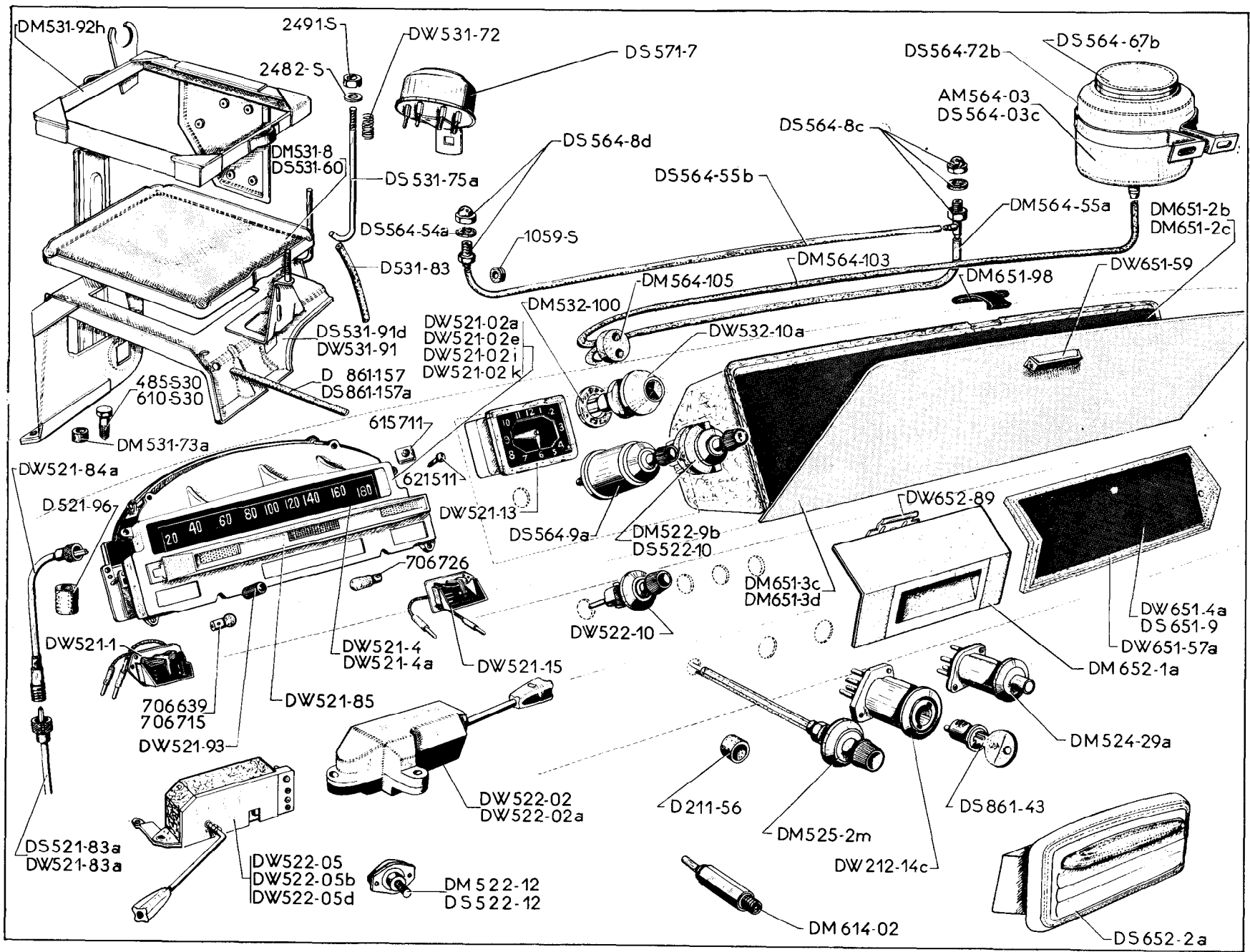
| NUMBER | DESCRIPTION | No. OFF | NUMBER | DESCRIPTION | No. OFF | NUMBER | DESCRIPTION | No. OFF |
|------------------|--|---------|-------------------|---|---------|-----------------|--|---------|
| | September 1960— September 1964 SWITCHES CONTROLS | | | | | | | |
| <u>AM 522-02</u> | Switch for lighting and horn (R. VI). R.H. steering. Since May 1964. | 1 | DM 521-83d | Speedometer cable "ED" (Veglia), part for gearbox side, 1,730 mm long (R. VI). Right-hand steering. Until September 1962. | 1 | DM 525-2i | Choke control with Rilsan sheath, 515 mm long (R. VI). BERLINE. Since April 1962. | 1 |
| <u>HY 522-8a</u> | Switch for headlamp flasher (R. VI). GERMANY. Since May 1964. | 1 | DM 521-83g | Speedometer cable, "ED" (Veglia), part for gearbox side, 1,565 mm long (R. VI). Right-hand steering. Since September 1962. | 1 | DM 525-2j | Choke control with Rilsan sheath, 540 mm long (R. VI). CABRIOLET. April 1962 - March 1963. | 1 |
| DM 211-1a | Ignition control, 440 mm long (R. VI). Until April 1962. | 1 | DM 521-84a | Speedometer cable "ED", part for speedometer side, 270 mm long (R. VI). | 1 | DM 525-2k | Choke control, 540 mm long (R. VI). CABRIOLET. Since March 1963. | 1 |
| D 211-56 | Sleeve, rubber, 4 x 16 x 20, sealing choke control. | 1 | DM 521-84b | Speedometer cable, Jaeger, part for speedometer side, 270 mm long (R. VI). Since July 1961. | 1 | DS 525-99 | Rubber, anti-rattle, for choke control, 200 mm long. | 1 |
| DM 212-14a | Ignition switch with starter control button without lock barrel (R. VI). | 1 | D 521-96 | Sleeve, rubber, 8 x 22 x 20, protecting speedometer cable. | 2 | DM 532-10b | Red tell-tale for battery charge (without bulb) (R. VI). | 1 |
| DB 521-7 | Sleeve for red brake tell-tale light on "ED" (Veglia) instrument panel without bulb, connector marked violet (R. VI). Since August 1961. | 1 | <u>D 522-02</u> | Switch for lighting and horns (R. VI). Right-hand steering. Until May 1964. | 1 | <u>DS 571-7</u> | Relay for SANOR headlamp flasher, on dashboard (R. VI). GERMANY. Since May 1964. | 1 |
| DM 521-7 | Sleeve for blue tell-tale light for headlamps on "ED" (Veglia) instrument panel, without bulb connector marked yellow (R. VI). U. S. A. and Right-hand steering. | 1 | DM 522-02 | <i>Switch for lighting and horns (R. VI). Left-hand steering. Until May 1964. Replaced by DM 522-02b.</i> | 1 | DM 614-02 | Pressure switch for brake (R. VI). | 1 |
| DM 521-7a | Sleeve for green tell-tale light for direction indicator light on "ED" (Veglia) instrument panel, without bulb connector marked green (R. VI). U. S. A. | 1 | <u>DM 522-02b</u> | Switch for lighting and horn (R. VI). L.H. steering. Since May 1964. | 1 | DS 861-43 | Lock barrel for ignition switch (R. VI). | 1 |
| DW 521-13 | Clock, electric, Jaeger, 12 volts on central cover of dashboard (R. VI). CONFORT. COLD CLIMATES. | 1 | DF 522-05 | Switch "Scintex" 12 volts, for direction indicator lights (R. VI). Right-hand steering. | 1 | 2.312-S | Washer, 5.5 x 12, for nut securing instrument panel (R. III). | 4 |
| DA 521-78 | Joint, rubber, 48 x 54 x 2, between clock and central cover of dashboard (R. VI). CONFORT. COLD CLIMATES. | 1 | DM 522-05b | Switch 12 volts, "AXO" for direction indicators (R. VI). Left-hand steering. | 1 | 2.319-S | Nut, hex., 5 diameter x 75 pitch, securing instrument panel (R. III). | 2 |
| DM 521-83a | Speedometer cable, "ED", part for gearbox side, 1,030 mm long (R. VI). Left-hand steering. | 1 | DM 522-05c | Switch "AXO" 12 volts for direction indicators (R. VI). U. S. A. | 1 | 706.639 | Bulb, 12 volts, 1.5 watt, for instrument panel lighting (R. VI). | 2 |
| DM 521-83b | Speedometer cable, Jaeger, part for gearbox side 1,030 mm long (R. VI). Since July 1961. | 1 | DM 522-9a | Switch for parking light (R. VI). | 1 | 706.715 | Bulb, 24 volts, 3 watt (R. VI): - for battery tell-tale. 1 - for brake tell-tale. 1 - for headlamp and direction indicator tell-tale. 2 | |
| | | | DM 522-10b | Switch (R. VI): - for windscreen wiper. 1 - for interior lights. 1 - front heater group. 1 - rear heater group. 1 | | | U. S. A. and right-hand steering. | |
| | | | DM 522-12b | Rheostat switch, 12 volts, for instrument panel lights (R. VI). | 1 | | BATTERY | |
| | | | DM 525-2g | Choke control with Rilsan sheath, 660 mm long (R. VI). BERLINE. Until April 1962. | 1 | DS 531-2d | <i>(apply direct to makers: DININ, TUDOR, TEM, FULMEN or their official agents).</i> | |
| | | | DM 525-2h | <i>Choke control with Rilsan sheath, 640 mm long (R. VI). CABRIOLET. Until April 1962. No longer supplied.</i> | 1 | DM 531-7a | SEPTEMBER 1960—SEPTEMBER 1964 | |
| | | | | | | DS 531-7a | Bracket for battery. August 1961 - September 1962. | 1 |
| | | | | | | DM 531-8 | Bracket for battery. Until August 1961. | 1 |
| | | | | | | DM 531-7a | Tray for battery. Replaced by DS 531-60. | 1 |
| | | | | | | DW 531-72 | Spring on battery securing stay, internal diameter 8.5 mm, 20 mm long. Since October 1961. | 2 |
| | | | | | | DM 531-73a | Distance piece, securing battery bracket, 9.5 x 16 x 22.5. | 1 |
| | | | | | | DS 531-75a | Front and rear stay securing battery frame, 164 mm long. Since September 1962. | 2 |

The numbers underlined indicate new parts which do not appear on the illustration.

Catalogue No. 470 - January 1965.

222—INSTRUMENT PANEL (12 VOLTS)—BATTERY—GLOVE BOX—WINDSCREEN WASHER

| NUMBER | DESCRIPTION | No. OFF | NUMBER | DESCRIPTION | No. OFF | NUMBER | DESCRIPTION | No. OFF |
|-------------|--|---------|------------|---|---------|------------|---|---------|
| DW 531-75 | Stay, front, securing battery frame, 143 mm long. October 1961 - September 1962. | 1 | 619.106 | Washer, 9.5 x 24 x 2, for screw securing battery bracket on front engine crossmember (R. III). | 1 | DM 564-55a | Delivery pipe, 6 mm diameter from pump to right-hand nozzle, 1,300 mm long (R. VI). Right-hand steering. | 1 |
| D 531-83 | Pipe, 8 x 10, for draining water from battery tray, 500 mm long (R. VI). | 1 | | GLOVE BOX FRONT AND REAR ASHTRAYS September 1960— September 1964 | | DS 564-55b | Delivery pipe, 4 mm diameter from right-hand nozzle to left-hand nozzle, 1 m long. | 1 |
| DM 531-87a | Stay, rear, securing battery frame, threaded 7 diameter x 100 pitch, 270 mm long. Until October 1961. | 1 | DM 651-2 | Glove box. Left-hand steering. | 1 | DS 564-67a | Cover with joint for glass reservoir (R. VI). Until July 1961. | 1 |
| DS 531-87 | Stay, rear, securing battery frame, threaded 7 diameter x 100 pitch, 245 mm long. October 1961 - September 1962. | 1 | DM 651-3a | Cover. Left-hand steering. | 1 | DS 564-67b | Cover for plastic reservoir (R. VI). Since July 1961. | 1 |
| DS 531-91d | Bracket for battery with support for heater group. Cold Climates. Since September 1962. | 1 | DM 651-5a | Glove box. Right-hand steering. | 1 | DS 564-72b | Reservoir, plastic, without collar or cover (R. VI). Since July 1961. | 1 |
| DW 531-91 | Bracket for battery, except Cold Climates. Since September 1962. | 1 | DM 651-6a | Cover. Right-hand steering. | 1 | DM 564-103 | Pipe, 6 mm diameter suction from reservoir to pump and delivery from pump to right-hand nozzle, 1 m long (R. VI). | 2 |
| DM 531-92f | Frame, retaining battery, with bracket for regulator. Until August 1961. | 1 | DM 651-62b | Knob for opening cover (R. VI). | 1 | DM 564-105 | Protector, rubber, for pipes, two holes 6 mm diameter (R. VI). | 1 |
| DM 531-92h | Frame retaining battery with one plate. Since August 1961. | 1 | DM 651-82 | Surround for glove box. | 1 | | BERLINE WITH PARTITION SPECIAL PARTS September 1960— September 1964 | |
| D 861-157 | Sheath, 4.5 x 6 x 630, on battery bracket, protecting bonnet opening cable (R. VI). | 1 | DM 651-89 | Return spring for cover. | 2 | D 652-74 | Cigar lighter, 12 volts (R. VI). | 1 |
| DS 861-157a | Sheath, 4.5 x 6 x 350 protecting cable at bonnet opening, right-hand side (R. VI). Since September 1962. | 1 | DM 651-91 | Rubber stop for cover. | 1 | D 522-20 | Button for switch (R. VI). | 1 |
| 485-S 30 | Screw, hex. head, 7 diameter x 30 long, securing battery bracket on sidemember (R. VI). | 2 | DM 651-92 | Screw, flat head, 5 diameter x 10 long (cruciform slot) securing cover (R. VI). | 2 | D 651-101 | Glove box (R. VI). | 1 |
| 601-S 30 | Screw, hex. head, pointed, 9 diameter x 50 long, securing battery bracket on front engine crossmember. | 1 | DM 652-2 | Ashtray (R. VI): - FRONT, LUXE. - FRONT and REAR. CONFORT. | 2 | D 652-75 | Rear ashtray, black cover (R. VI). | 1 |
| 2.482-S | Washer, 7.5 x 14 for nuts securing spring on stay (R. III). | 2 | D 652-78 | Plate securing rear ashtray (R. VI). CONFORT. | 1 | D 652-75a | Rear ashtray, varnished cover (R. VI). | 1 |
| 2.491-S | Nut, hex., 7 diameter x 100 pitch, securing battery stay (R. III). | 2 | DM 652-78 | Plate securing front ashtray (R. VI). | 1 | D 522-21 | Switch, press-button for intercom or radio (R. VI). | 1 |
| | | | 2.741-S | Screw, round head, 4.85 x 9.5, securing plate (R. VI). | 2 | D 521-16 | Clock "Jaeger", 12 volts (R. VI). | 1 |
| | | | | WINDSCREEN WASHER CONFORT September 1960— September 1964 | | D 522-18 | Potentiometer for radio (R. VI). | 1 |
| | | | AM 564-03 | Reservoir complete with straight fixing plate fitted on left-hand (R. VI). Right-hand steering. Since January 1963. | 1 | | | |
| | | | DS 564-03c | Reservoir complete, plastic, (R. VI). Replaces glass reservoir. L.H. steering. R.H. steering. Until January 1963. | 1 | | | |
| | | | DS 564-07b | Windscreen washer complete (R. VI). | 1 | | | |
| | | | DS 564-8c | Nozzle with two unions, right-hand (R. VI). | 1 | | | |
| | | | DS 564-8d | Nozzle with single union, left-hand (R. VI). | 1 | | | |
| | | | DM 564-9a | Pump (R. VI). | 2 | | | |
| | | | DS 564-54a | Joint for nozzle (R. VI). | | | | |



INSTRUMENT PANEL (12 VOLTS)—BATTERY—GLOVE BOX—WINDSCREEN WASHER—222C

| Make of Panel | Number of Panel | Speedometer | Petrol Gauge | Temperature Gauge | Lamp Holders | Graduation | Types | Remarks |
|-----------------------------|--------------------------|------------------------|----------------------|----------------------|------------------------|------------------------|--|--|
| SINCE SEPTEMBER 1964 | | | | | | | | |
| Jaeger Jaeger | DW 521-02a DW 521-02e | DW 521-4 DW 521-4 | DW 521-1 DW 521-1 | without DW 521-15 | DW 521-85 DW 521-85 | 180 km 180 km | Cold Climates. All Types. | Until November 1964. Since November 1964. |
| Jaeger Jaeger | DW 521-02i DW 521-02k | DW 521-4a DW 521-4a | DW 521-1 DW 521-1 | without DW 521-15 | DW 521-85 DW 521-85 | 120 miles 120 miles | U.S.A. and R.H. steering. U.S.A. and R.H. steering. Cold Climates. All Types. | Until November 1964. Since November 1964. |

| NUMBER | DESCRIPTION | No. OFF | NUMBER | DESCRIPTION | No. OFF | NUMBER | DESCRIPTION | No. OFF |
|-----------------------------|---|---------|------------|---|---------|----------|--|---------|
| Since September 1964 | | | | | | | | |
| D 211-56 | Bush, 4 x 16 x 20 for sealing hole for choke control. | 1 | DW 522-05b | Switch, Axo, for direction indicators (R. VI). U.S.A. | 1 | 615.711 | Nut, clips, for 5 mm diameter screws securing dashboard (R. VI). | 5 |
| DW 212-14c | Ignition switch without lock barrel (R. VI). | 1 | DW 522-05d | Switch, Axo, for direction indicators with headlamp flasher (R. VI). GERMANY. | 1 | 621.511 | Screw, raised head countersunk, 5 x 30, for securing instrument board (R. VI). | 5 |
| DW 521-13 | Jaeger electric clock, 12 volts on instrument board (R. VI). | 1 | DM 522-9b | Switch for parking light (R. VI). | 1 | 706.639 | Bulb, 12 volts, 1.5 watt (R. VI): - lighting on instrument board. Until March 1965. | 2 |
| <u>DM 521-83g</u> | Flexible speedo cable ED, gearbox side, 1,565 mm long (R. VI). R. H. steering. | 1 | DS 522-10 | Switch for windscreen wiper (R. VI). | 1 | | - clock. | 1 |
| DS 521-83a | <i>Flexible cable for Jaeger speedometer, gearbox side, 1,320 m long (R. VI). R. H. steering. Replaced by DM 521-83g.</i> | 1 | DW 522-10 | Switch (R. VI): - interior lighting. | 1 | 706.715 | - charging tell-tale light. | 1 |
| <u>DM 521-84a</u> | Flexible speedo cable ED, speedometer side, 270 mm long (R. VI). R. H. steering. | 1 | DM 522-12 | Rheostat switch for instrument board lighting (R. VI). | 1 | 706.726 | Bulb, 24 volt, 3 watt (R. VI): - for tell-tale light for headlamps and direction indicators on dashboard. | 2 |
| DW 521-83a | Flexible cable for Jaeger speedometer, gearbox side, 945 mm long (R. VI). L. H. steering. | 1 | DS 522-12 | Rheostat switch for instrument board lighting (R. VI). ITALY. | 1 | 706.747 | Bulb, 12 volt, 4 watt, for brake tell-tale light on dashboard (R. VI). Until March 1965. | 1 |
| DW 521-84a | Flexible cable for Jaeger speedometer, speedometer side, 400 mm long (R. VI). | 1 | DM 524-29a | Relay switch for starter (R. VI). | 1 | | Bulb, 12 volt, 2 watt, (R. VI) for: - instrument panel lighting. | 2 |
| DW 521-93 | Button with fixing for returning speedometer reading to zero on instrument board (R. VI). | 1 | DM 525-2m | Choke control, 560 mm long (R. VI). | 1 | | - brake tell-tale light. Since March 1965. | 1 |
| D 521-96 | Bush, rubber, 8 x 22 x 20, protecting speedometer flexible drive. | 2 | DW 532-10a | Red tell-tale light for battery charging, without bulb (R. VI). | 1 | | BATTERY | |
| DW 522-02 | Switch for lighting and horn (R. VI). L. H. steering. | 1 | DM 532-100 | Clip under tell-tale light (R. VI). | 1 | | <i>(Apply direct to the makers: DININ, TUDOR, TEM, FULMEN, or to their official agents).</i> | |
| DW 522-02a | Switch for lighting and horn (R. VI). R. H. steering. | 1 | DS 571-7 | Sanor relay for headlamp flasher on dashboard (R. VI). GERMANY. | 1 | | FIXING | |
| DW 522-05 | Switch, Axo, for direction indicators (R. VI). Except U.S.A. and GERMANY. | 1 | DM 614-02 | Pressure switch for brake (R. VI). | 1 | DM 531-8 | Since September 1964 | |
| | | | DS 861-43 | Lock barrel for ignition switch (R. VI). | 1 | | <i>Battery tray. Until October 1964. Replaced by DS 531-60 (R. VI).</i> | 1 |

Catalogue No. 470 - January 1967.

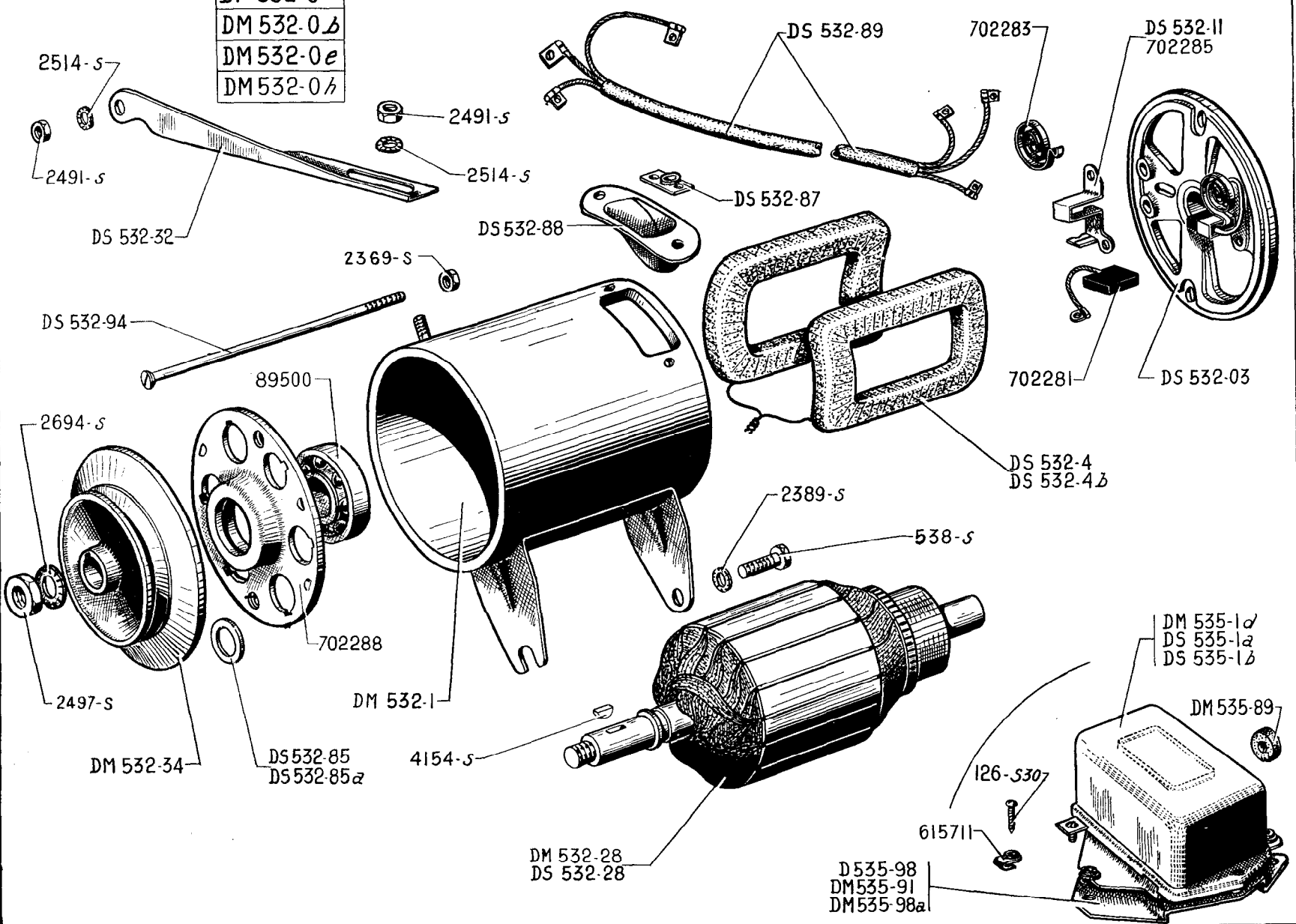
The numbers underlined indicate new parts which do not appear on the illustration.

222D-INSTRUMENT PANEL (12 VOLTS)-BATTERY-GLOVE BOX-WINDSCREEN WASHER

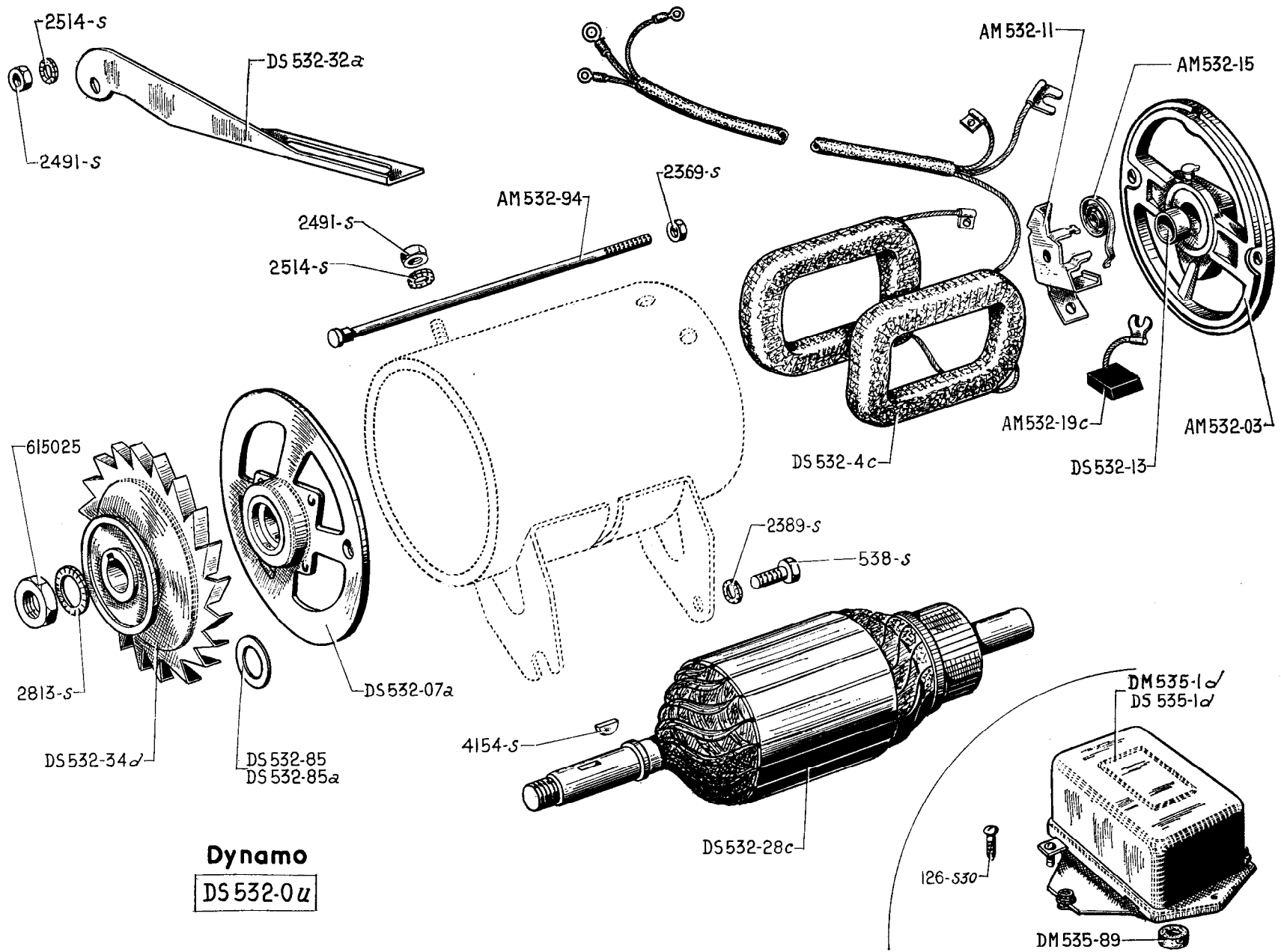
| NUMBER | DESCRIPTION | No. OFF | NUMBER | DESCRIPTION | No. OFF | NUMBER | DESCRIPTION | No. OFF |
|-------------|---|---------|---|--|---------|--|--|---------|
| DS 531-60 | Battery tray (R. VI). Since October 1964. | 1 | GLOVE BOX ASH TRAYS MAP POCKETS Since September 1964 | | | DS 564-9a | Pump for windscreen washer (R. VI). | 1 |
| DW 531-72 | Spring for battery tie-rod, interior diameter 8.5 mm x 20 mm long. | 2 | DM 651-2b | Glove box, L.H. steering. | 1 | DS 564-54a | Joint for nozzle (R. VI). | 2 |
| DM 531-73a | Distance piece, 8.5 x 16 x 21.5 for securing battery bracket. | 1 | DM 651-2c | Glove box, R.H. steering. | 1 | DM 564-55a | Tube, 6 mm, for delivery from pump to jet, right-hand, length 1300 mm (R. VI). | 1 |
| DS 531-75a | Tie-rod, front and rear, for securing battery surround, length 164 mm. | 2 | DM 651-3c | Cover for glove box. L.H. steering. | 1 | DS 564-55b | Tube, 4 mm diameter, for delivery from right-hand to left- hand jet, 1 m long (R. VI). | 1 |
| D 531-83 | Tube, 8 x 10, for draining water from battery tray, 500 mm long. Until October 1964. | 1 | DM 651-3d | Cover for glove box. R.H. steering. | 1 | DS 564-67b | Cover for reservoir (R. VI). | 1 |
| DS 531-91d | Bracket for battery with supporting clip for heater unit. Cold Climates. | 1 | DW 651-4a | Map pocket. L.H. steering. | 1 | DS 564-72b | Reservoir without cover, or collar (R. VI). | 1 |
| DW 531-91 | Battery bracket. Except Cold Climates. | 1 | DS 651-9 | Map pocket. R.H. steering. | 1 | DM 564-103 | Tube, 6 mm for delivery from pump to reservoir, 1 m long (R. VI). | 1 |
| DM 531-92h | Surround for supporting battery. | 1 | DW 651-57a | Lining for map pockets (R. VI). | 1 | DM 564-105 | Protector, rubber, for tubes, 2 holes 6 mm. | 2 |
| D 861-157 | Sheath, 4.5 x 6 x 630 on battery bracket for protecting cable at bonnet opening, left-hand (R. VI). | 1 | DW 651-59 | Clip for glove box opening. | 1 | 1.059-S | Grommet, rubber, 5 x 18 x 4 for passage of delivery tube on bonnet (R. III). | 2 |
| DS 861-157a | Sheath, 4.5 x 6 x 350 for protecting cable at bonnet opening, right-hand (R. VI). | 1 | DM 651-98 | Clip for closing glove box cover (R. VI). | 1 | BERLINE WITH PARTITION SPECIAL PARTS Since September 1964 | | |
| 485-S 30 | Screw, hex. head, 7 x 30, for securing battery bracket on side- member (R. III). | 3 | DM 651-1a | Ash tray, front (R. VI). | 1 | D 652-74 | Cigar lighter 12 volts (R. VI). | 1 |
| 610-S 30 | Screw, hex. head, 9 x 50, pointed, for securing front of battery bracket (R. III). | 1 | DS 652-2a | Ash tray, rear. CONFORT. | 1 | D 651-101 | Glove box (R. VI). | 1 |
| 2.482-S | Washer, 7.5 x 14 for the nuts locking the spring on the tie-rod (R. III). | 2 | DW 652-89 | Guide for ash tray (R. VI). | 1 | D 652-75 | Ash tray, rear, cover black (R. VI). | 1 |
| 2.491-S | Nut, hex., 7 x 100, for securing tie-rods of battery (R. III). | 2 | WINDSCREEN WASHER Since September 1964 | | | D 652-75a | Ash tray, rear, cover varnished (R. VI). | 1 |
| | | | AM 564-03 | Reservoir for windscreen washer with securing clip, right-hand (R. VI). R.H. steering. | 1 | D 522-21 | Push-button for intercom or radio (R. VI). | 1 |
| | | | DS 564-03c | Reservoir complete (R. VI). L.H. steering. | 1 | D 521-16 | <i>Jaeger clock (R. VI).</i> <i>No longer supplied.</i> | 1 |
| | | | DS 564-8c | Nozzle with double union, right- hand (R. VI). | 1 | D 522-18 | Potentiometer for radio (R. VI). | 1 |
| | | | DS 564-8d | Nozzle with single union, left-hand (R. VI). | 1 | | | |

Dynamo

| |
|-------------------|
| DF 532-0 |
| DM 532-0 <i>b</i> |
| DM 532-0 <i>e</i> |
| DM 532-0 <i>h</i> |



| NUMBER | DESCRIPTION | No. OFF | NUMBER | DESCRIPTION | No. OFF | NUMBER | DESCRIPTION | No. OFF |
|-----------|--|---------|------------|--|---------|----------|--|---------|
| | Until October 1961 | | | | | | | |
| DF 532-0 | Dynamo complete, 12 volts (7.219-A) (R. VI). - U.S.A. - TAXI. - ALL TYPES. Since September 1960. | 1 | DS 532-32 | <i>Belt adjuster. Replaced by: DS 532-32a.</i> | 1 | 126-S 30 | <i>Screw, round head, 5 diameter x 18 long, pointed, securing regulator (R. III). Replaced by 2. 250-S 30.</i> | 3 |
| DM 532-0b | Dynamo, 6 volts complete (7.158) (R. VI). Until May 1959. | 1 | DM 532-34 | Pulley (R. VI). | 1 | 538-S | Screw, hex. head, 9 diameter x 25 long, securing dynamo on flywheel housing (R. III). | 2 |
| DM 532-0e | <i>Dynamo complete, 6 volts, (7.158) with pulley, non-keyed (R. VI). May 1959 - April 1960. No longer supplied.</i> | 1 | DS 532-85 | Washer, 26 x 17.2 x 1, for pulley adjustment. Since May 1959. | As nec. | 2.369-S | Nut, hex., 6 diameter x 100 pitch, for screw, securing end plates (R. III). | 2 |
| DM 532-0h | <i>Dynamo, 6 volts, complete with shortened wiring (assembly with inclined regulator) (7.233). (R. VI). April 1960 - September 1960. No longer supplied.</i> | 1 | DS 532-85a | Washer, 26 x 17.2 x 0.5, for pulley adjustment. Since May 1959. | As nec. | 2.389-S | Washer, shakeproof, 9.5 x 16.5, for screw securing dynamo (R. VI). | 2 |
| DS 532-03 | End bearing plate commutator end with brush holder without brush or spring (R. VI). | 1 | DS 532-87 | <i>Plate for wiring harness (R. VI). No longer supplied.</i> | 1 | 2.491-S | Nut, hex., 7 diameter x 100 pitch securing belt adjuster to water pump and dynamo (R. III). | 2 |
| DM 532-1 | <i>Casing only (R. VI). Until September 1960. No longer supplied.</i> | 1 | DS 532-88 | <i>Support for wiring harness (R. VI). No longer supplied.</i> | 1 | 2.497-S | Nut, hex., 12 diameter x 175 pitch, securing pulley (R. III). | 1 |
| DS 532-4 | <i>Field coils, 6 volts (set of 2) (R. VI). Until September 1960. No longer supplied.</i> | 1 | DS 532-89 | Wiring harness for dynamo (R. VI). | 1 | 2.514-S | Washer, shakeproof, 7.3 x 12, for nut securing belt adjuster (R. VI). | 2 |
| DS 532-4b | Field coils, 12 volts (R. VI). - U.S.A. TAXI. - ALL TYPES. Since September 1960. | 1 | DS 532-94 | Assembling rod (R. VI). | 2 | 2.694-S | Washer, shakeproof, 12.5 x 22, for pulley nut (R. VI). | 1 |
| DS 532-11 | Brush holder, positive (R. VI). | 1 | DM 535-1d | Regulator 12 volts (R. VI). - U.S.A. TAXI. - ALL TYPES. Since September 1960. | 1 | 4.154-S | Woodruff key, 4.6 x 5 x 16, for pulley (R. VI). | 1 |
| DM 532-28 | Armature, 12 volts (R. VI). - U.S.A. TAXI. - ALL TYPES. Since September 1960. | 1 | DS 535-1a | Regulator, 6 volts, Ducellier (8184 A) (R. VI). Until September 1960. | 1 | 89.500 | Bearing, 17 x 40 x 12 (R. VI). | 1 |
| DS 532-28 | Armature, 6 volts (R. VI). Until September 1960. | 1 | DS 535-1b | <i>Regulator, 6 volts, S.N.A. (R. VI). Until September 1960. Replaced by: DS 535-1a.</i> | 1 | 615.711 | Nut clip for 5 diameter screw securing regulator (R. VI). | 3 |
| | | | DM 535-89 | Buffer, rubber, for regulator. - U.S.A. TAXI. - ALL TYPES. Since September 1960. | 1 | 702.281 | Brush (R. VI). | 2 |
| | | | DM 535-91 | Bracket for 12 volt "Lucas" regulator. U.S.A. May 1959. | 1 | 702.283 | Spring for brush (R. VI). | 2 |
| | | | D 535-98 | Bracket securing 6 volt regulator. Until April 1960. | 1 | 702.285 | Brush holder negative (R. VI). | 1 |
| | | | DM 535-98a | <i>Bracket, inclined, for 6 volt regulator. April 1960 - September 1960. No longer supplied.</i> | 1 | 702.288 | End plate with ball-bearing, driving end (R. VI). | 1 |



Dynamo
DS 532-0u

226-DUCELLIER DYNAMO-12 VOLTS

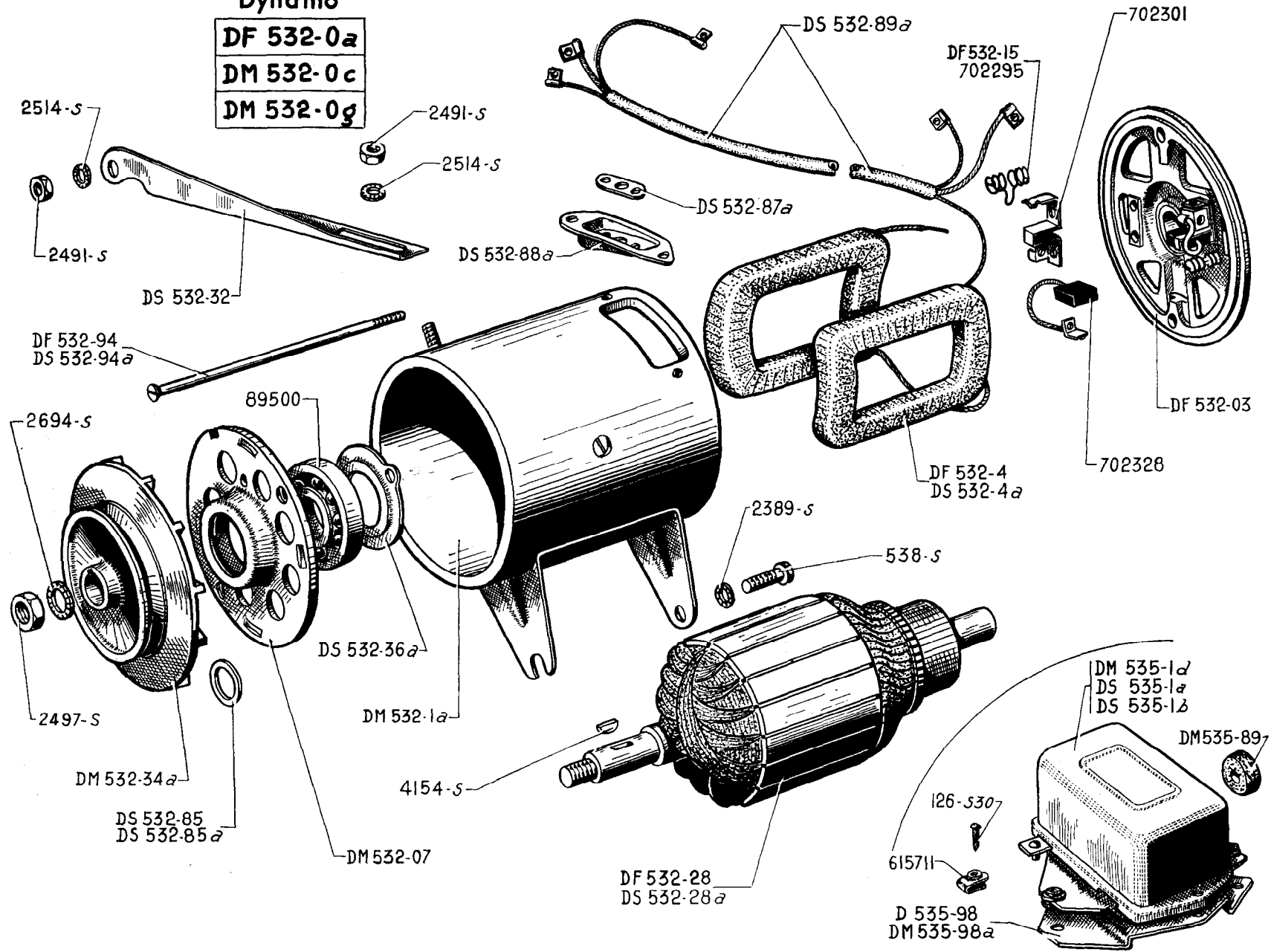
| NUMBER | DESCRIPTION | No. OFF | NUMBER | DESCRIPTION | No. OFF | NUMBER | DESCRIPTION | No. OFF |
|------------------|--|---------|------------------|---|---------|---------|--|---------|
| | Since October 1961 | | | | | | | |
| AM 532-03 | End bearing plate commutator end (R. VI). Until June 1964. | 1 | <u>DS 532-4f</u> | Field coils (set) (R. VI). Since June 1964. | 1 | 538-S | Screw, hex. head, 9 diameter x 25 long, securing dynamo on flywheel housing (R. III). | 2 |
| AM 532-11 | Brush holder (R. VI). | 2 | DS 532-13 | Bush for end bearing plate, 17 x 21 x 18 (R. VI). | 2 | 2.369-S | Nut, hex., 6 diameter x 100 pitch, for screw securing end bearing plate (R. III). | 2 |
| AM 532-15 | Spring for brush (R. VI). | 2 | DS 532-28c | Armature (R. VI). | 1 | 2.389-S | Washer, shakeproof, 9.5 x 16.5, for screw securing dynamo (R. VI). | 2 |
| AM 532-19c | Brush, positive and negative (R. VI). | 2 | DS 532-32a | Belt adjuster. | 1 | 2.491-S | Nut, hex., 7 diameter x 100 pitch, securing belt adjuster to water pump and dynamo (R. III). | 2 |
| AM 532-94 | Assembling rod, 6 x 173, for end bearing plate (R. VI). | 2 | DS 532-34d | Pulley (R. VI). | 1 | 2.514-S | Washer, shakeproof, 7.3 x 12, for nut securing belt adjuster (R. VI). | 2 |
| DS 532-0u | <i>Dynamo complete, 103 mm diameter (7.256-G) (R. VI). Until June 1964. Replaced by DS 532-0w; order in addition: 1-DS 511-22.</i> | 1 | DS 532-85 | Washer, 17.2 x 26 x 1, for pulley adjustment. | As nec. | 2.813-S | Washer, shakeproof, 16.5 x 26 for nut securing pulley (R. VI). | 1 |
| <u>DS 532-0w</u> | Dynamo complete, with terminals (7.314-G). (R. VI). Since June 1964. | 1 | DS 532-85a | Washer, 17.2 x 26 x 0.5, for pulley adjustment. | As nec. | 4.154-S | Woodruff key, 4.6 x 5 x 16 for pulley (R. VI). | 1 |
| DS 532-03d | End bearing plate, commutator end, with terminals (R. VI). Since June 1964. | 1 | DM 535-1d | Regulator "Ducellier" 12 volts (8243) (R. VI). | 1 | 615.025 | Nut, 16 x 125, for securing pulley (R. III). | 1 |
| DS 532-07a | End bearing plate, driving end (R. VI). | 1 | DS 535-1d | Regulator, Paris-Rhone, 12 volts, (YT.2.113) (R. VI). Since September 1962. | 1 | | | |
| DS 532-4c | Field coils (set) (R. VI). Until June 1964. | 1 | DM 535-89 | Rubber buffer for regulator. | 1 | | | |
| | | | 126-S 30 | <i>Screw, round head, pointed, 5 diameter x 18 long, securing regulator (R. III). Replaced by 2.250-S 30.</i> | 2 | | | |

Dynamo

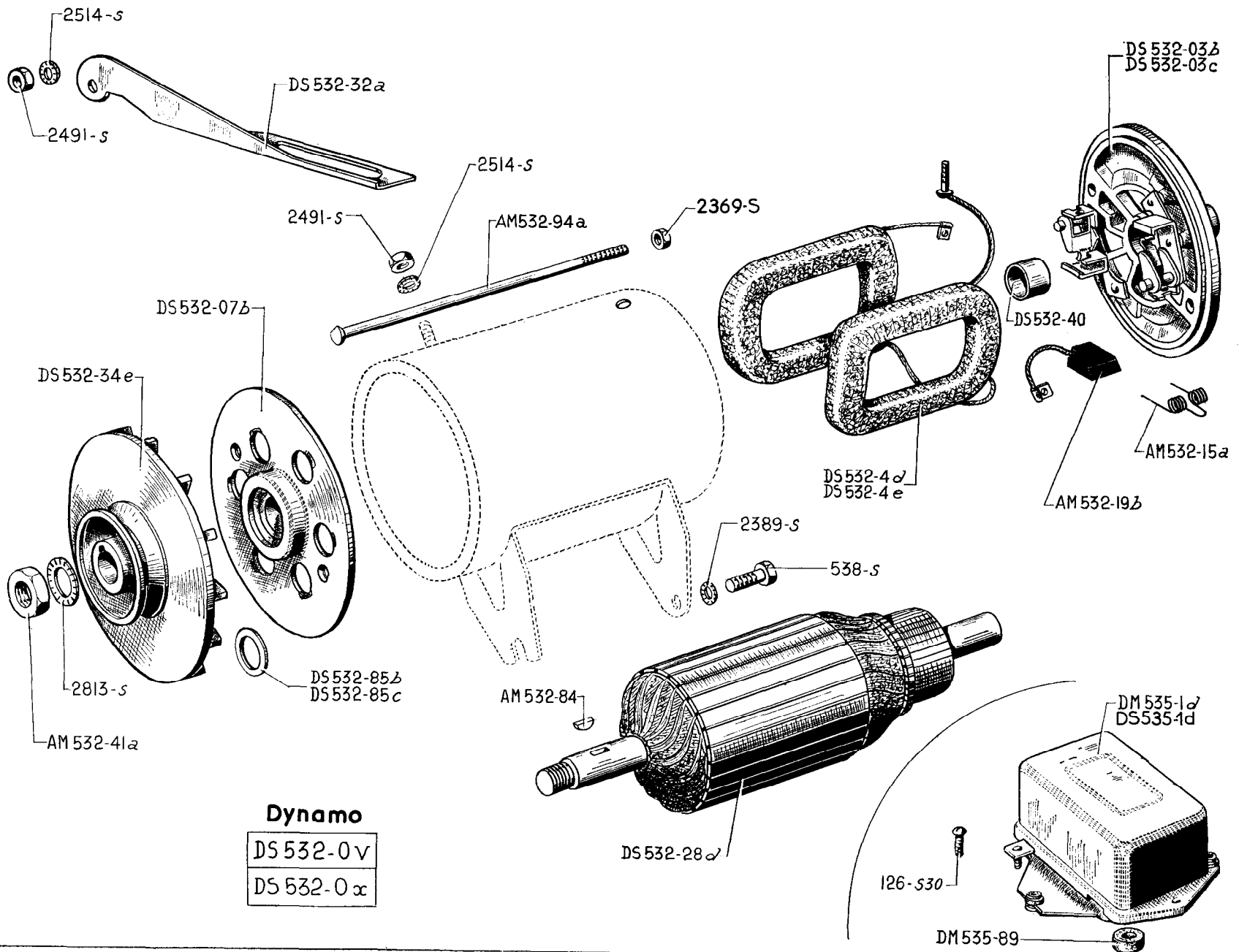
DF 532-0a

DM 532-0c

DM 532-0g



| NUMBER | DESCRIPTION | No. OFF | NUMBER | DESCRIPTION | No. OFF | NUMBER | DESCRIPTION | No. OFF |
|------------|--|---------|------------|---|---------|------------|--|---------|
| | Until October 1961 | | | | | | | |
| DF 532-0a | Dynamo complete, 12 volts (R. VI). Since September 1960. | 1 | DS 532-36a | Plate securing bearing (R. VI). | 1 | DM 535-98a | <i>Inclined bracket for regulator, 6 volts. April 1960 - September 1960. No longer supplied.</i> | 1 |
| DM 532-0c | Dynamo complete, 6 volts (R. VI). Until April 1960. | 1 | DS 532-85 | Washer, 26 x 17.2 x 1, for pulley adjustment. Since September 1960. | As nec. | 126-S 30 | <i>Screw, round head, pointed, 5 dia- meter x 18 long, securing regulator (R. III). Replaced by 2. 250-S 30.</i> | 3 |
| DM 532-0g | <i>Dynamo complete, 6 volts with shortened cables (assembly with inclined regulator support) (R. VI). April 1960 - September 1960. No longer supplied.</i> | 1 | DS 532-85a | Washer, 26 x 17.2 x 0.5, for pulley adjustment. Since September 1960. | As nec. | 538-S | Screw, hex. head, 9 diameter x 25 long, securing dynamo on flywheel housing (R. III). | 2 |
| DF 532-03 | Bearing end plate, brush gear end (R. VI). | 1 | DS 532-87a | <i>Plate retaining harness (R. VI). No longer supplied.</i> | 1 | 2.389-S | Washer, shakeproof, 9.5 x 16.5, for screw securing dynamo (R. VI). | 2 |
| DM 532-07 | Bearing end plate complete with bearing, driving end (R. VI). | 1 | DS 532-88a | <i>Bracket for harness (R. VI). No longer supplied.</i> | 1 | 2.491-S | Nut, hex., 7 diameter x 100 pitch, tightening belt adjuster on water pump and dynamo (R. III). | 2 |
| DM 532-1a | <i>Casing only (R. VI). No longer supplied.</i> | 1 | DS 532-89a | <i>Wiring harness for dynamo (R. VI). Until April 1960. No longer supplied.</i> | 1 | 2.497-S | Nut, hex., 12 diameter x 175 pitch, for tightening pulley (R. III). | 1 |
| DF 532-4 | <i>Field coils, 12 volts (R. VI). Since September 1960. No longer supplied.</i> | 1 | DF 532-94 | <i>Rod for assembling end bearing plates (R. VI). Since September 1960. No longer supplied.</i> | 2 | 2.514-S | Washer, shakeproof, 7.3 x 12, for nut securing belt adjuster (R. VI). | 2 |
| DS 532-4a | <i>Field coils, 6 volts (set of 2) (R. VI). Until September 1960. No longer supplied.</i> | 1 | DS 532-94a | Rod for assembling end bearing plates (R. VI). Until September 1960. | 2 | 2.694-S | Washer, shakeproof, 12.5 x 22, for pulley nut (R. VI). | 1 |
| DF 532-15 | Spring for brush (R. VI). Since September 1960. | 2 | DM 535-1d | Regulator "Ducellier" 12 volts (R. VI). Since September 1960. | 1 | 4.154-S | Woodruff key, 4 x 6.5 x 16, for pulley (R. VI). | 1 |
| DF 532-28 | Armature 12 volts (R. VI). Since September 1960. | 1 | DS 535-1a | Regulator "Ducellier" 6 volts (8184 A) (R. VI). Until September 1960. | 1 | 89.500 | Bearing, 17 x 40 x 12 (R. VI). | 1 |
| DS 532-28a | Armature 6 volts (R. VI). Until September 1960. | 1 | DS 535-1b | <i>Regulator, 6 volts, S.N.A. (R. VI). Until September 1960. Replaced by: DS 535-1a.</i> | 1 | 615.711 | Nut clip for 5 mm diameter screw securing regulator (R. VI). | 3 |
| DS 532-32 | <i>Belt adjuster. Replaced by: DS 532-32a.</i> | 1 | DM 535-89 | Rubber buffer for regulator. Since September 1960. | 1 | 702.295 | Spring for brush (R. VI). | 2 |
| DM 532-34a | Pulley (R. VI). | 1 | D 535-98 | Bracket securing regulator. Until April 1960. | 1 | 702.301 | Brush holder (R. VI). | 2 |
| | | | | | | 702.328 | Output and earth brush (R. VI). | 2 |



Dynamo

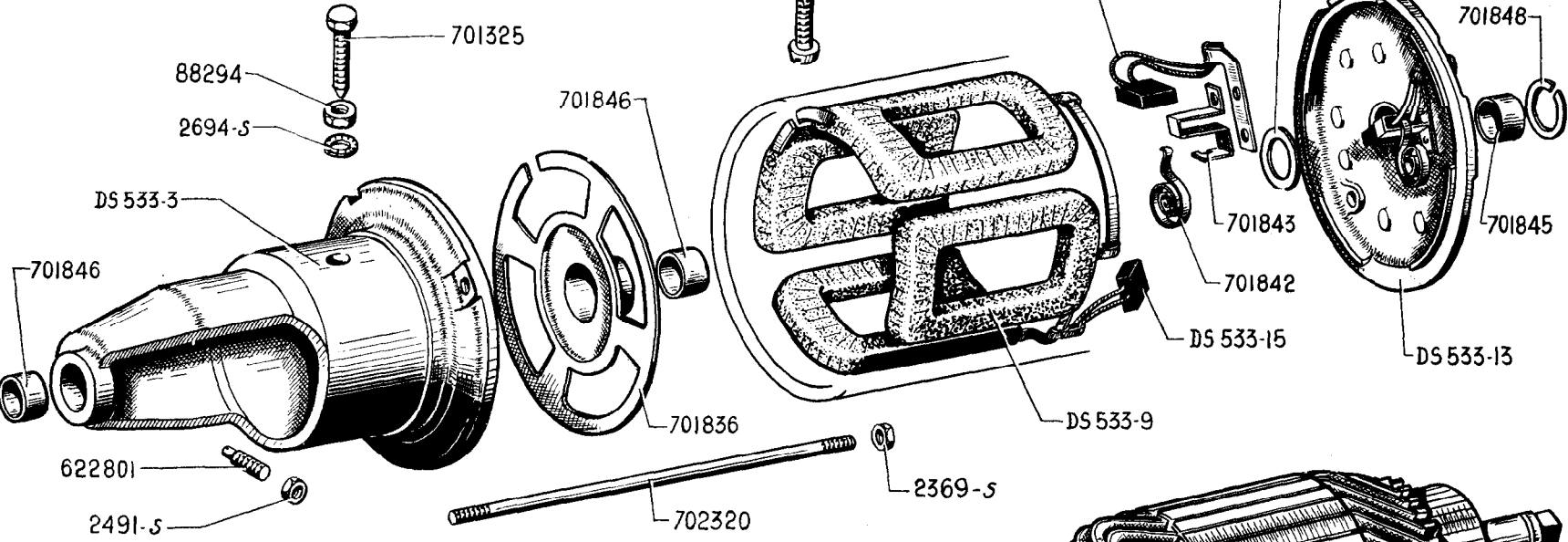
| |
|------------|
| DS 532-0 v |
| DS 532-0 x |

230-PARIS-RHONE DYNAMO-12 VOLTS

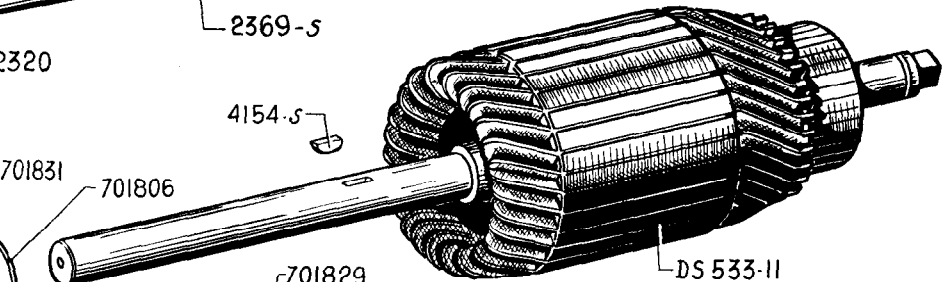
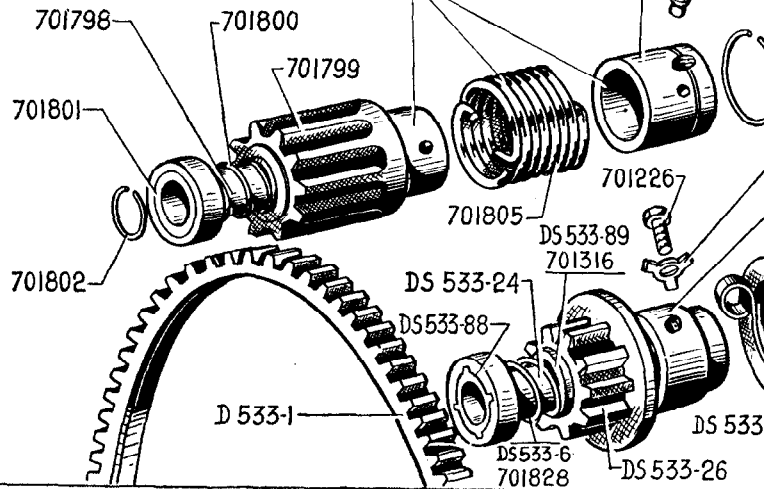
| NUMBER | DESCRIPTION | No. OFF | NUMBER | DESCRIPTION | No. OFF | NUMBER | DESCRIPTION | No. OFF |
|------------|--|---------|------------|---|---------|-----------|--|---------|
| | Since October 1961 | | | | | | | |
| AM 532-15a | Spring for brush (R. VI). | 2 | DS 532-03c | End bearing plate, commutator end, with terminals (R. VI). Since December 1963. Replaced by AM 532-03b. | 1 | DM 535-1d | Regulator "Ducellier", 12 volts (8243) (R. VI). | 1 |
| AM 532-19b | Brush, positive and negative (R. VI). | 2 | DS 532-07b | End bearing plate, driving end with bearing (R. VI). | 1 | DS 535-1d | Regulator, Paris-Rhone, 12 volts, (YT. 2.113) (R. VI). Since September 1962. | 1 |
| AM 532-41a | Nut, hex., 15 diameter x 150 pitch, securing pulley (R. VI). | 1 | DS 453-4d | Field coils (set) with harness, (R. VI). Until December 1963. | 1 | DM 535-89 | Rubber buffer for regulator. | 1 |
| AM 532-84 | Key securing pulley (R. VI). | 1 | DS 532-4e | Field coils, without harness (set) (R. VI). Since December 1963. | 1 | 126-S 30 | Screw, round head, pointed, regulator (R. III). Replaced by 2.250-S 30. | 2 |
| AM 532-94a | Spindle for assembling bearing end plates (R. VI). | 2 | DS 532-28d | Armature (R. VI). | 1 | 538-S | Screw, hex. head, 9 diameter x 25 long, securing dynamo on flywheel housing (R. III). | 2 |
| DS 532-0v | Dynamo complete, 103 mm diameter (G 10 C 10) (R. VI). Until December 1963. Replaced by: DS 532-0x; order in addition: 1-DS 511-22. | 1 | DS 532-32a | Belt adjuster. | 1 | 2.369-S | Nut, hex., 6 diameter x 100 pitch, for rods assembling bearing end plate (R. III). | 2 |
| DS 532-0x | Dynamo complete, with terminals, (G10 C31) (R. VI). Since December 1963. Replaced by DS 532-09b. | 1 | DS 532-34e | Pulley (R. VI). | 1 | 2.389-S | Washer, shakeproof, 9.5 x 16.5, for screw securing dynamo (R. VI). | 2 |
| DS 532-03b | End bearing plate, brush gear end (R. VI). Until December 1963. | 1 | DS 532-40 | Bearing, for bearing end plate, brush gear end (R. VI). | 1 | 2.491-S | Nut, hex., 7 diameter x 100 pitch, securing belt adjuster on water pump and dynamo (R. III). | 2 |
| | | | DS 532-85b | Washer, 15.2 x 23 x 1, for pulley adjustment. | As nec. | 2.813-S | Washer, shakeproof, 16.5 x 26, for nut securing pulley (R. VI). | 1 |
| | | | DS 532-85c | Washer, 15.2 x 23 x 0.05, for pulley adjustment. | As nec. | | | |

Starter

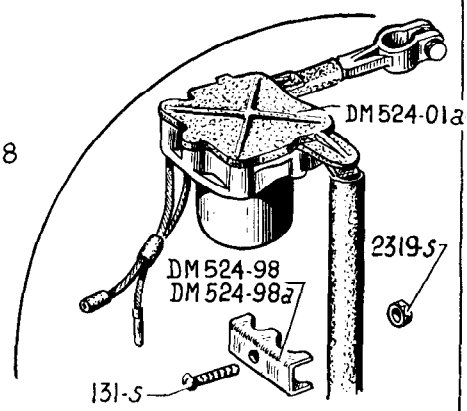
D 533-01a



Benada Starter Drive



Bendix Starter Drive



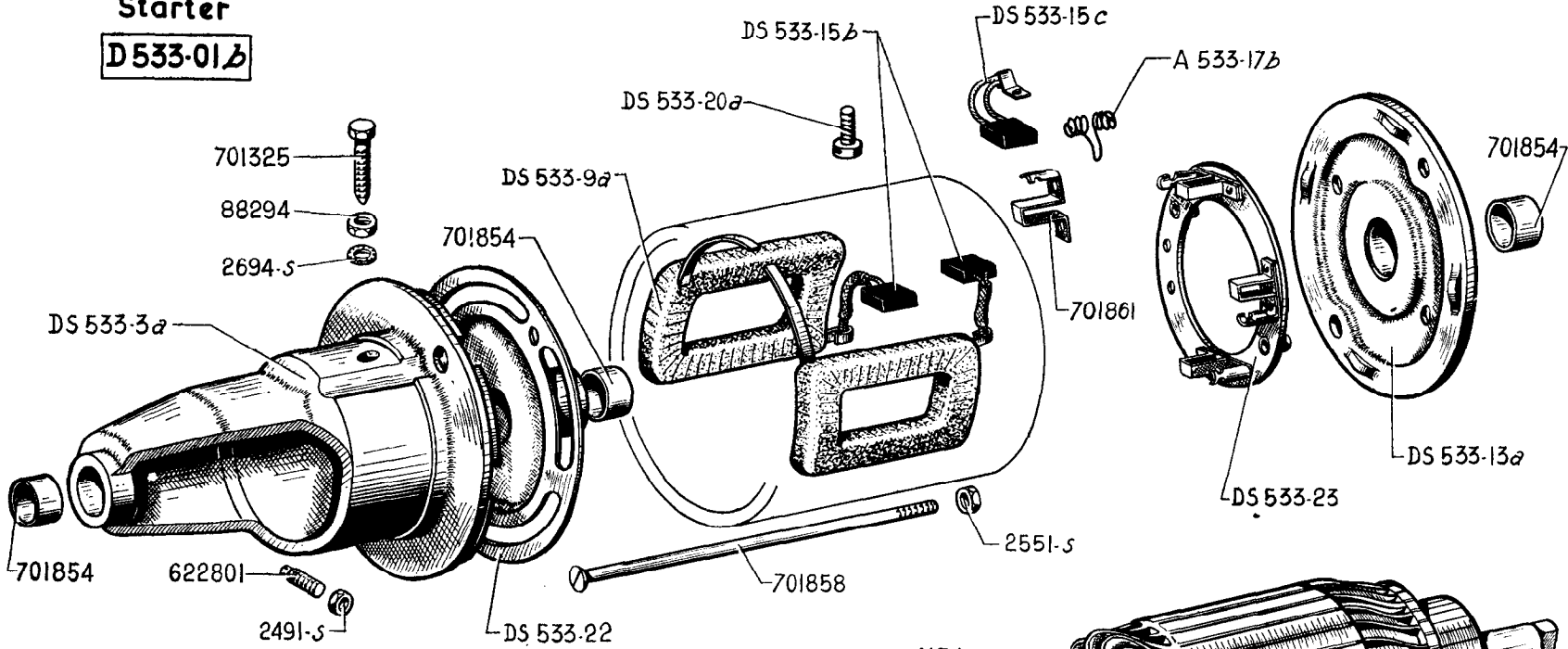
| NUMBER | DESCRIPTION | No. OFF | NUMBER | DESCRIPTION | No. OFF | NUMBER | DESCRIPTION | No. OFF |
|------------|--|---------|-----------------------------|--|---------|---|---|---------|
| | Until September 1960 | | | | | | | |
| DM 524-01a | Solenoid switch "Gelbon" with 20 ² mm starter cable (R. VI). Replaces solenoid switch with 40 ² mm cable; order in addition: 2-DM 524-98a. | 1 | 4.154-S | Woodruff key, 4 x 6.5 x 16 for starter drive (R. VI). | 1 | 701.830 | Starter drive complete (R. VI). | 1 |
| DM 524-98 | Clamp retaining solenoid switch with 40 ² mm cable. Until February 1959. | 2 | 88.294 | Nut, hex. 12 diameter 150 pitch securing starter on engine (R. II). | 1 | 701.831 | Grub screw with dowel 6 mm diameter for locking driving sleeve (R. VI). | 1 |
| DM 524-98a | Clamp retaining solenoid switch with 20 ² mm cable. Since February 1959. | 2 | 622.801 | Grub, screw, 7 diameter 20 long for starter reaction (R. III). | 2 | BENDIX STARTER DRIVE WITH DAMPER | | |
| D 533-01a | <i>Starter motor complete (R. VI). (6003A). Replaced by: D 533-01b.</i> | 1 | 701.325 | Screw, hex. head 12 diameter 150 pitch securing starter on engine, 42 mm long under head (R. III). | 1 | DS 533-6 | Spring for pinion (R. VI). Since September 1957. | 1 |
| D 533-1 | Starter gear ring (93 teeth 272 mm diameter). | 1 | 701.836 | Intermediate bearing plate (R. VI). | 1 | D 533-21b | Starter drive complete (R. VI). | 1 |
| DS 533-3 | Bearing end plate, driving end (R. VI). | 1 | 701.842 | Spring for brush (R. VI). | 2 | DS 533-24 | Threaded sleeve, only, (R. VI). | 1 |
| DS 533-9 | <i>Field coils (set of 4) (R. VI). No longer supplied.</i> | 1 | 701.843 | Brush holder (R. VI). | 2 | DS 533-25 | Driving spring (R. VI). | 1 |
| DS 533-11 | Armature (R. VI). | 1 | 701.845 | Bush 16 x 19 x 14 for bearing end plate, driving end (R. VI). | 1 | DS 533-26 | Pinion (R. VI). | 1 |
| DS 533-13 | Bearing end plate, brush gear end, complete (R. VI). | 1 | 701.846 | Bush 16.2 x 19 x 15 for bearing end plates, brush gear end and intermediate (R. VI). | 2 | DS 533-28 | Driving sleeve (R. VI). | 1 |
| DS 533-15 | Brush, positive (R. VI). | 1 | 701.848 | Circlip (R. VI). | 1 | DS 533-85 | Washer 16 x 21 x 0.3 for damper bush (R. VI). | 1 |
| DS 533-15a | Brush, negative (R. VI). | 1 | 701.849 | Thrust washer, brush gear end (R. VI). | AS NEC | DS 533-88 | Thrust nut for pinion return spring (R. VI). Since September 1957. | 1 |
| DS 533-20 | Terminal, only (R. VI). | 1 | 702.320 | Assembling rod for end plates (R. VI). | 1 | DS 533-89 | Distance washer for pinion spring (R. VI). Since September 1957. | 1 |
| 131-S | Screw, round head, 5 diameter 30 long for clamp securing starter solenoid switch (R. III). | 1 | BENADA STARTER DRIVE | | | DS 533-90 | Lock plate for screws locking driving sleeve and threaded sleeve (R. VI). | 2 |
| 2.319-S | Nut, hex. 5 diameter 75 pitch for screw securing solenoid switch clamp (R. III). | 1 | 701.798 | <i>Threaded sleeve, only, (R. VI). No longer supplied.</i> | 1 | DS 533-91 | Rubber bush 16 x 26.5 x 10.5 for damper (R. VI). | 1 |
| 2.369-S | Nut, hex. 6 diameter 100 pitch securing bearing end plates (R. III). | 2 | 701.799 | Pinion (R. VI). | 1 | 701.226 | Screw, hex. head 9.5 x 16 for threaded sleeve (R. VI). | 1 |
| 2.491-S | Nut, hex. 7 diameter 100 pitch for starter reaction screws (R. III). | 2 | 701.800 | Spring for pinion (R. VI). | 1 | 701.316 | <i>Spacing washer (R. VI). Until September 1957. No longer supplied.</i> | 1 |
| 2.694-S | Washer, shakeproof, 12.5 x 22 for nut securing starter on engine (R. VI). | 1 | 701.801 | <i>Thrust ring for pinion (R. VI). No longer supplied.</i> | 1 | 701.828 | Spring for pinion (R. VI). Until September 1957. | 1 |
| | | | 701.802 | <i>Circlip for thrust ring (R. VI). No longer supplied.</i> | | 701.829 | Screw, hex. head 9.5 diameter 20 long with 6 mm dowel for driving sleeve (R. VI). | 1 |
| | | | 701.804 | Driving sleeve (R. VI). | 1 | | | |
| | | | 701.805 | Driving spring (R. VI). | 1 | | | |
| | | | 701.806 | <i>Circlip securing driving sleeve (R. VI) No longer supplied.</i> | 1 | | | |

234—DUCELLIER STARTER—12 VOLTS

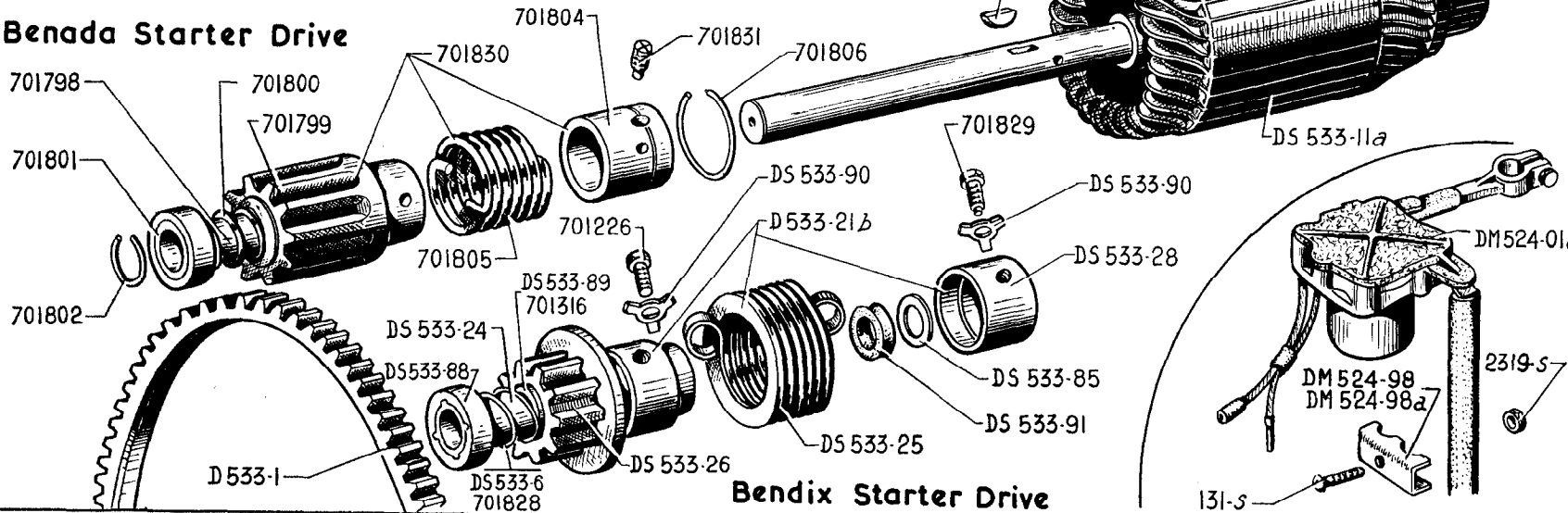
| NUMBER | DESCRIPTION | No. OFF | NUMBER | DESCRIPTION | No. OFF | NUMBER | DESCRIPTION | No. OFF |
|------------|--|---------|------------|--|---------|---|---|---------|
| | ALL TYPES Since September 1960 | | | | | | | |
| DM 524-01c | Solenoid switch "Gelbon" 12 volts, for starter (R. VI). Until September 1962. | 1 | DM 533-16 | Spring for brush (R. VI). | 2 | 701.801 | Thrust ring for pinion (R. VI). <i>No longer supplied.</i> | 1 |
| DS 524-01a | Solenoid switch "Gelbon" 12 volts (R. VI). Since September 1962. | 1 | DM 533-20 | Terminal, only (R. VI). | 1 | 701.802 | Circlip for thrust ring (R. VI). <i>No longer supplied.</i> | 1 |
| DM 524-93 | Clamp, with welded screw, securing solenoid switch. Since August 1961. | 1 | DM 533-22 | Bearing plate, intermediate (R. VI). | 1 | 701.804 | Driving sleeve (R. VI). | 1 |
| DM 524-98b | Clamp, retaining solenoid switch. Until August 1961. Since August 1961. | 2 | DS 533-37 | Shield for starter. Since September 1962. | 1 | 701.805 | Driving spring (R. VI). | 1 |
| DM 533-01 | Starter complete (6.087-A). (R. VI). Until September 1962. | 1 | DM 533-97 | Assembling rod (R. VI). | 2 | 701.830 | Starter drive complete (R. VI). | 1 |
| DS 533-01a | Starter complete (6.133). (R. VI). Since September 1962. | 1 | DS 533-102 | Bracket with welded nut securing shield for starter. Since September 1962. | 1 | 701.831 | Grub screw with 6 mm dowel for driving sleeve (R. VI). | 1 |
| D 533-1 | Starter gear ring (93 teeth, 272 mm diameter). | 1 | 131-S | Screw, round head, 5 diameter 30 long securing clamp for solenoid switch (R. III). | 1 | BENDIX STARTER DRIVE WITH DAMPER | | |
| DM 533-2 | Bush for bearing end plate, 12 x 15 x 15, brush gear end (R. VI). | 1 | 2.319-S | Nut, hex. 5 diameter 75 pitch for screw securing clamp for solenoid switch (R. III). | 1 | DS 533-6 | Spring for pinion (R. VI). | 1 |
| DM 533-3 | Bearing end plate, driving end (R. VI). Until September 1962. | 1 | 2.369-S | Nut, hex. 6 diameter 100 pitch securing bearing end plates (R. III) | 2 | D 533-21b | Starter drive complete (R. VI). | 1 |
| DS 533-3b | Bearing end plate, driving end, (R. VI). Since September 1962. | 1 | 2.491-S | Nut, hex. 7 diameter 100 pitch for starter reaction screws (R. III). | 2 | DS 533-24 | Threaded sleeve, only (R. VI). | 1 |
| DM 533-9 | Field coils (set of 4) (R. VI). | 1 | 2.694-S | Washer, shakeproof, 12.6 x 22 for nuts securing starter on engine (R. VI). | 1 | DS 533-25 | Driving spring (R. VI). | 1 |
| DM 533-11 | Armature (R. VI). | 1 | 4.154-S | Woodruff key 4 x 6.5 x 16 for starter drive | 1 | DS 533-26 | Pinion (R. VI). | 1 |
| DM 533-12 | Bush for bearing end plates, 16 x 19 x 12, driving end and intermediate (R. VI). | 2 | 88.294 | Nut, hex. 12 diameter 150 pitch securing starter motor on engine (R. II). | 1 | DS 533-28 | Driving sleeve (R. VI). | 1 |
| DM 533-13 | Bearing end plate complete, brush gear end (R. VI). | 1 | 622.801 | Grub screws, 7 diameter 20 long for starter reaction (R. III). | 2 | DS 533-85 | Washers 16 x 21 x 0.3 for damper bush (R. VI). | 1 |
| DM 533-14 | Brush holder (R. VI). | 2 | 701.325 | Screw, hex. head 12 diameter 150 pitch securing starter on engine, length under head 42 mm (R. III). | 1 | DS 533-88 | Thrust ring for pinion return spring (R. VI). | 1 |
| DM 533-15 | Brush, positive (R. VI). | 1 | 701.848 | Circlip (R. VI). | 1 | DS 533-89 | Distance washer for pinion spring (R. VI). | 1 |
| DM 533-15a | Brush, negative (R. VI). | 1 | 701.798 | BENADA STARTER DRIVE <i>Threaded sleeve, only (R. VI). No longer supplied.</i> | 1 | DS 533-90 | Lock plate for screw for driving sleeve and threaded sleeve (R. VI). | 2 |
| | | | 701.799 | Pinion (R. VI). | 1 | DS 533-91 | Rubber bush 16 x 26.5 x 10.5 for damper (R. VI). | 1 |
| | | | 701.800 | Spring for pinion (R. VI). | 1 | 701.226 | Screw, hex. head 9.5 x 16 for threaded sleeve (R. VI). | 1 |
| | | | | | | 701.829 | Screw, hex. head 9.5 x 20 with 6 mm dowel for driving sleeve (R. VI). | 1 |

Starter

D 533-01 b



Benada Starter Drive

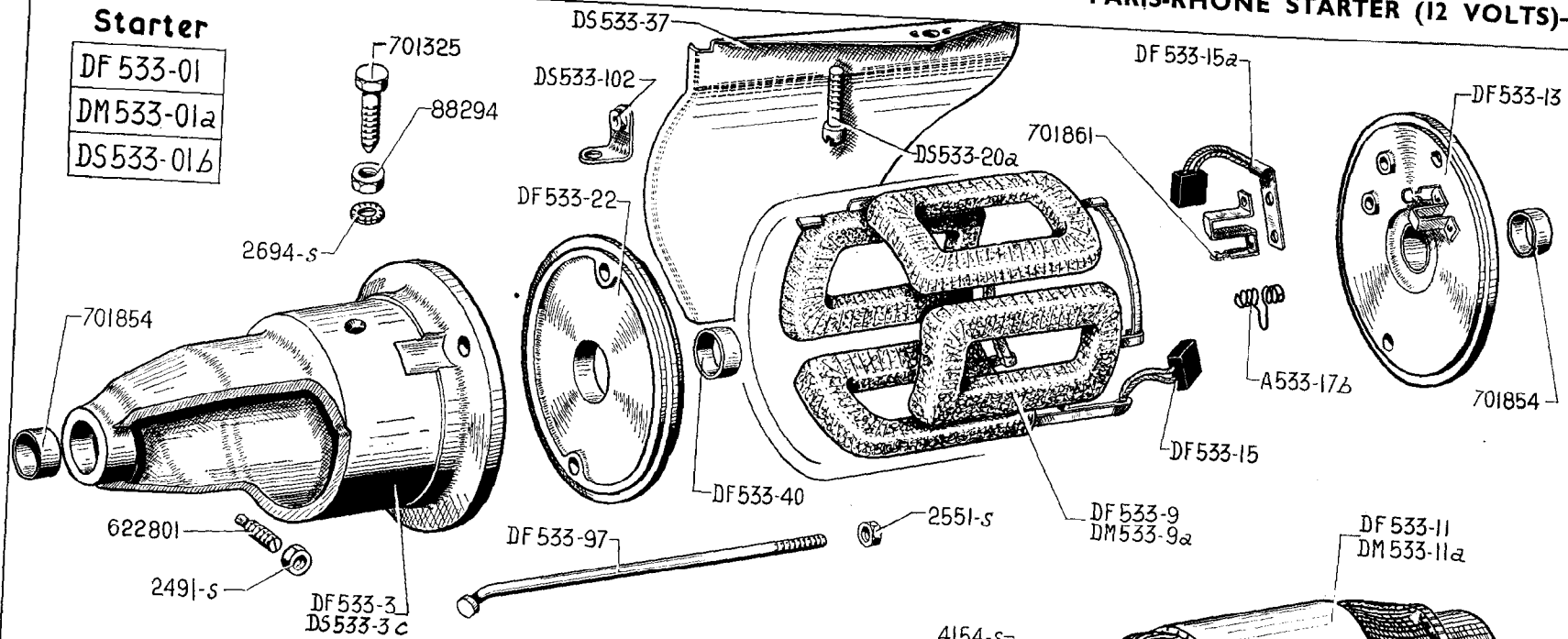


Bendix Starter Drive

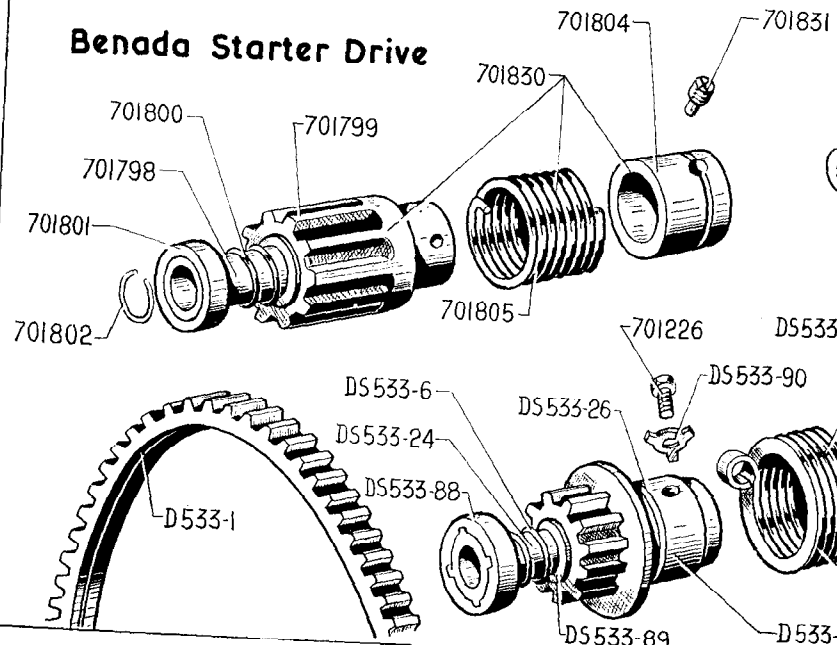
| NUMBER | DESCRIPTION | No. OFF | NUMBER | DESCRIPTION | No. OFF | NUMBER | DESCRIPTION | No. OFF |
|------------|--|---------|---------|---|---------|-----------|---|---------|
| | Until September 1960 | | | | | | BENDIX STARTER DRIVE WITH DAMPER | |
| A 533-17b | Spring for brush (R. VI). | 4 | 2.491-S | Nut, hex., 7 diameter x 100 pitch, for starter reaction screws (R. III). | 2 | DS 533-6 | Spring for pinion (R. VI). Since September 1957. | 1 |
| DM 524-01a | Solenoid switch "Gelbon" with 20 mm ² cable (R. VI). Replaces solenoid switch with 40 mm ² cable; order in addition: 2-DM 524-98a. | 1 | 2.551-S | Nut, hex., 8 diameter x 125 pitch, securing bearing end plates (R. III). | 2 | D 533-21b | Starter drive complete (R. VI). | 1 |
| DM 524-98 | Clamp retaining solenoid switch with 40 mm ² cable. Until February 1959. | 2 | 2.694-S | Washer, shakeproof, 12.5 x 22, for nut securing starter on engine (R. VI). | 1 | DS 533-24 | Threaded sleeve only (R. VI). | 1 |
| DM 524-98a | Clamp retaining solenoid switch with 20 mm ² cable. Since February 1959. | 2 | 4.154-S | Woodruff key, 4 x 6.5 x 16, for starter drive (R. VI). | 1 | DS 533-25 | Driving spring (R. VI). | 1 |
| D 533-01b | Starter complete (D 11 B 42). (R. VI). | 1 | 88.294 | Nut, hex., 12 diameter x 150 pitch, securing starter on engine (R. II). | 1 | DS 533-26 | Pinion (R. VI). | 1 |
| D 533-1 | Starter gear ring (93 teeth), 272 mm diameter. | 1 | 622.801 | Grub screw, 7 diameter x 20 long, for starter reaction (R. III). | 2 | DS 533-28 | Driving sleeve (R. VI). | 1 |
| DS 533-3a | Bearing end plate, driving end (R. VI). | 1 | 701.325 | Screw, hex. head, 12 diameter x 150 pitch, securing starter on engine, length under head 42 mm. (R. III). | 1 | DS 533-85 | Washers, 16 x 21 x 0.3, for damper bush (R. VI). | 1 |
| DS 533-9a | <i>Field coils (set of 2) (R. VI). No longer supplied.</i> | 1 | 701.854 | Bush for bearing end plates (R. VI). | 3 | DS 533-88 | Thrust ring for pinion return spring (R. VI). Since September 1957. | 1 |
| DS 533-11a | Armature (R. VI). | 1 | 701.858 | Rod, 8 diameter x 175 long, for assembling bearing end plates (R. VI). | 2 | DS 533-89 | Distance washer for engine spring (R. VI). Since September 1957. | 1 |
| DS 533-13a | <i>Bearing end plate only, brush gear end (R. VI). No longer supplied.</i> | 1 | 701.861 | Brush holder (R. VI). | 4 | DS 533-90 | Lockplate for screw securing driving sleeve and threaded sleeve (R. VI). | 2 |
| DS 533-15b | Brush, positive (R. VI). | 2 | | BENADA STARTER DRIVE | | DS 533-91 | Rubber bush, 16 x 26.5 x 10.5, for damper (R. VI). | 1 |
| DS 533-15c | <i>Brush, negative (R. VI). Replaced by: A 533-15m.</i> | 2 | 701.798 | <i>Threaded sleeve only (R. VI). No longer supplied.</i> | 1 | 701.226 | Screw, hex. head, 9.5 x 16, for threaded sleeve (R. VI). | 1 |
| DS 533-20a | Terminal only (R. VI). | 1 | 701.799 | Pinion (R. VI). | 1 | 701.316 | <i>Distance bush (R. VI). Until September 1957. No longer supplied.</i> | 1 |
| DS 533-22 | Bearing plate, intermediate (R. VI). | 1 | 701.800 | Spring for pinion (R. VI). | 1 | 701.828 | Spring for pinion (R. VI). Until September 1957. | 1 |
| DS 533-23 | Brush holder ring, with brush and spring (R. VI). | 1 | 701.801 | <i>Thrust ring for pinion (R. VI). No longer supplied.</i> | 1 | 701.829 | Screw, hex. head, 9.5 x 20 mm with 6 mm dowel for driving sleeve (R. VI). | 1 |
| 131-S | Screw, round head, 5 diameter x 30 long, securing clamp for solenoid switch (R. III). | 1 | 701.802 | <i>Circlip for thrust ring (R. VI). No longer supplied.</i> | 1 | | | |
| 2.319-S | Nut, hex., 5 diameter x 75 pitch, for screws securing solenoid switch clamp (R. III). | 1 | 701.804 | Driving sleeve (R. VI). | 1 | | | |
| | | | 701.805 | Driving spring (R. VI). | 1 | | | |
| | | | 701.806 | <i>Circlip for driving sleeve (R. VI). No longer supplied.</i> | 1 | | | |
| | | | 701.830 | Starter drive complete (R. VI). | 1 | | | |
| | | | 701.831 | Grub screw with dowels, 6 mm diameter for locking driving sleeve (R. VI). | 1 | | | |

Starter

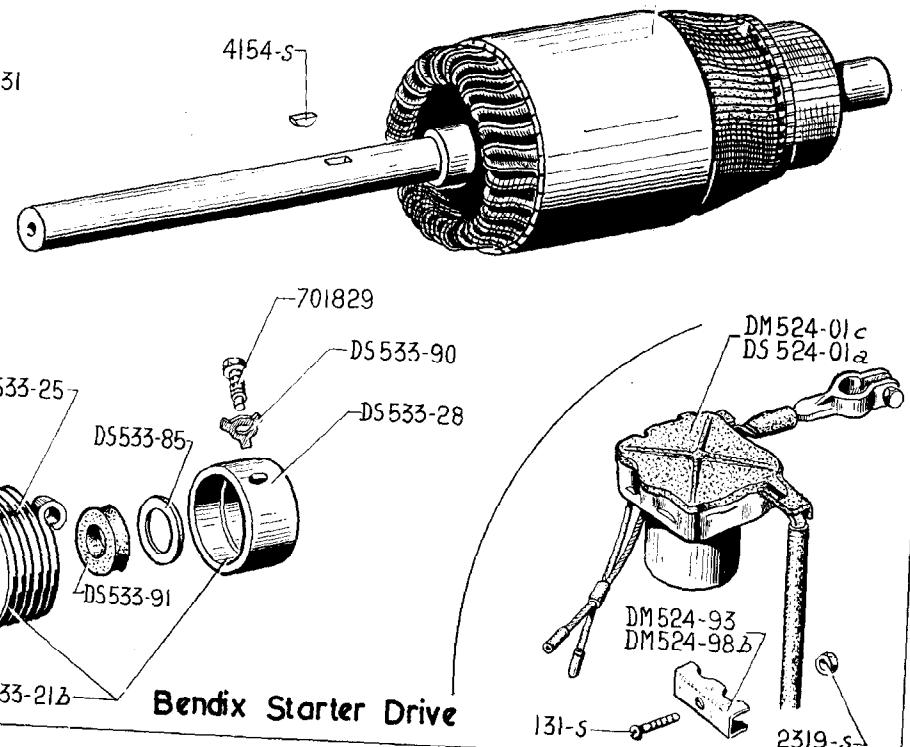
- DF 533-01
- DM533-01a
- DS533-01b



Benada Starter Drive



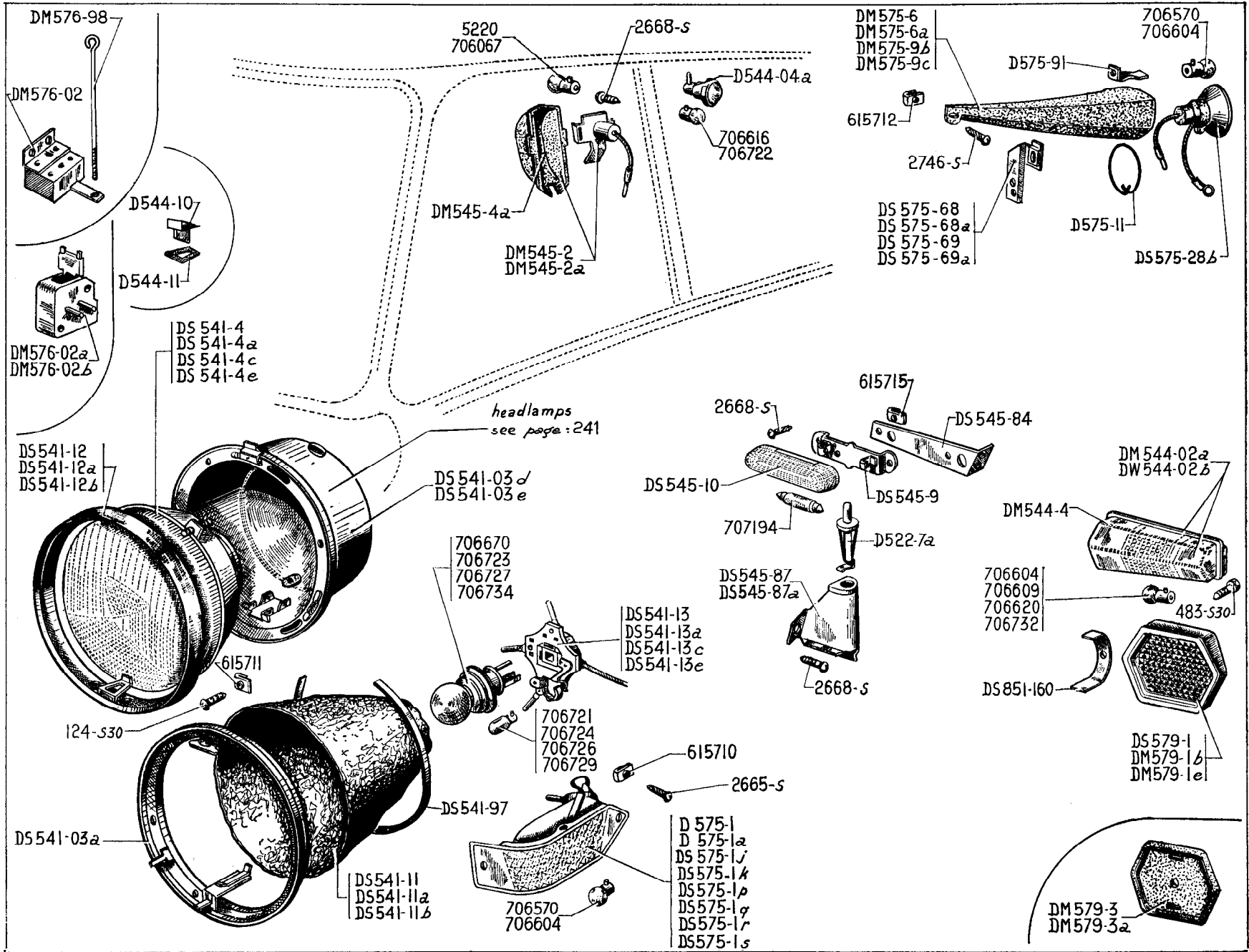
Bendix Starter Drive



238-PARIS-RHONE STARTER-12 VOLTS

| NUMBER | DESCRIPTION | No. OFF | NUMBER | DESCRIPTION | No. OFF | NUMBER | DESCRIPTION | No. OFF |
|------------|--|---------|------------|---|---------|-----------|---|---------|
| | Since September 1960 | | | | | | | |
| A 533-17b | Spring for brush (R. VI). | 4 | DF 533-22 | Bearing plate intermediate (R. VI). | 1 | 701. 798 | BENADA STARTER DRIVE <i>Threaded sleeve only (R. VI).</i> <i>No longer supplied.</i> | 1 |
| DM 524-01c | Solenoid switch "Gelbon" 12 volts (R. VI). Until September 1962. | 1 | DS 533-37 | Shield for starter. Since September 1962. | 1 | 701. 799 | Pinion (R. VI). | 1 |
| DS 524-01a | Solenoid switch "Gelbon" 12 volts (R. VI). Since September 1962. | 1 | DF 533-40 | Bush, 16 x 20 x 16, for intermediate bearing plate (R. VI). | 1 | 701. 800 | Spring for pinion (R. VI). | 1 |
| DM 524-93 | Clamp with welded screw securing solenoid switch. Since August 1961. | 1 | DF 533-97 | Rod for assembling bearing end plates (R. VI). Replaced by DX 533-97c. | 2 | 701. 801 | Thrust ring for pinion (R. VI). <i>No longer supplied.</i> | 1 |
| DM 524-98b | Clamp retaining solenoid switch. Until August 1961. Since August 1961. | 2 | DS 533-102 | Support with welded nut for shield for starter. Since September 1962. | 1 | 701. 802 | Circlip for thrust ring (R. VI). <i>No longer supplied.</i> | 1 |
| DF 533-01 | Starter complete (R. VI). Until January 1962. Replaced by: DM 533-01a. | 1 | 131-S | Screw, round head, 5 diameter x 30 long, securing clamp for solenoid switch (R. III). | 1 | 701. 804 | Driving sleeve (R. VI). | 1 |
| DM 533-01a | Starter complete (R. VI). January 1962 - September 1962. | 1 | 2. 319-S | Nut, hex., 5 diameter x 75 pitch, for screw securing solenoid switch clamp (R. III). | 1 | 701. 805 | Driving spring (R. VI). | 1 |
| DS 533-01b | Starter complete (D 10 B 40) (R. VI). Since September 1962. | 1 | 2. 491-S | Nut, hex., 7 diameter x 100 pitch, for starter reaction screw (R. III). | 2 | 701. 830 | Starter drive complete (R. VI). | 1 |
| D 533-1 | Starter gear ring (93 teeth), 272 mm diameter. | 1 | 2. 551-S | Nut, hex., 8 diameter x 125 pitch, securing bearing end plates (R. III). | 2 | 701. 831 | Grub screw with 6 mm dowel locking driving sleeve (R. VI). | 1 |
| DF 533-3 | Bearing end plate, driving end (R. VI). Until September 1962. | 1 | 2. 694-S | Washer, shakeproof, 12.5 x 22, for nut securing starter on engine (R. VI). | 1 | | BENDIX STARTER DRIVE WITH DAMPER | |
| DS 533-3c | Plate for securing starter motor, driving end (R. VI). Since September 1962. | 1 | 4. 154-S | Woodruff key, 4 x 6.5 x 16, for starter drive (R. VI). | 1 | DS 533-6 | Spring for pinion (R. VI). | 1 |
| DF 533-9 | Field coils (R. VI). Until January 1962. | 1 | 88. 294 | Nut, hex., 12 diameter x 150 pitch securing starter on engine (R. II). | 1 | D 533-21b | Starter drive complete (R. VI). | 1 |
| DM 533-9a | Field coils (R. VI). Since January 1962. | 1 | 622. 801 | Grub screw, 7 diameter x 20 long, for starter reaction (R. III). | 2 | DS 533-24 | Threaded sleeve only (R. VI). | 1 |
| DF 533-11 | Armature (R. VI). Until January 1962. | 1 | 701. 325 | Screw, hex. head, 12 diameter x 150 long, securing starter on engine, length under head 42 mm (R. III). | 1 | DS 533-25 | Driving spring (R. VI). | 1 |
| DM 533-11a | Armature (R. VI). Since January 1962. | 1 | 701. 854 | Bush for bearing end plates, driving end and brush gear end (R. VI). | 2 | DS 533-26 | Pinion (R. VI). | 1 |
| DF 533-13 | Bearing end plate, brush gear end (R. VI). | 1 | 701. 861 | Brush holder (R. VI). | 4 | DS 533-28 | Driving sleeve (R. VI). | 1 |
| DF 533-15 | Brush, positive (R. VI). | 2 | | | | DS 533-85 | Washer, 16 x 21 x 0.3 for damper bush (R. VI). | 1 |
| DF 533-15a | Brush, negative (R. VI). | 2 | | | | DS 533-88 | Thrust ring for pinion return spring (R. VI). | 1 |
| DS 533-20a | Terminal only (R. VI). | 1 | | | | DS 533-89 | Distance washer for pinion spring (R. VI). | 1 |
| | | | | | | DS 533-90 | Lockplate for screw securing driving sleeve and threaded sleeve (R. VI). | 2 |
| | | | | | | DS 533-91 | Rubber bush, 16 x 26.5 x 10.5, for damper (R. VI). | 1 |
| | | | | | | 701. 226 | Screw, hex. head, 9.5 x 16, for threaded sleeve (R. VI). | 1 |
| | | | | | | 701. 829 | Screw, hex. head, 9.5 x 20 with 6 mm dowel for driving sleeve (R. VI). | 1 |

240—HEADLAMPS—LIGHTING—DIRECTION INDICATORS—REAR LIGHTS—STOP LIGHT (EXCEPT U.S.A.)



HEADLAMPS (SECTION VI) EXCEPT U.S.A.—241

| MAKE of headlamp | EXTERNAL diameter of headlamp | SHAPE of glass | DIAMETER of glass | NUMBER of headlamp | NUMBER of glass | NUMBER of rim | REMARKS |
|------------------|-------------------------------|----------------|-------------------|--------------------|-------------------------------|---|--|
| CIBIE | 226 | Convex | 183 | DS 541-1a | DS 541-4 (optic assembly) | DS 541-12 <i>Replaced by DX 541-12</i> | Until April 1961. |
| CIBIE | 226 | Convex | 183 | DS 541-1m | DS 541-4e (optic assembly) | DS 541-12 <i>Replaced by DX 541-12</i> | European Standard. ITALY. All Types. Since April 1961. GERMANY. Until January 1964. |
| CIBIE | 226 | Convex | 183 | DS 541-1t | DS 541-4h (optic assembly) | DS 541-12 <i>Replaced by DX 541-12</i> | GERMANY. Since January 1964. |
| MARCHAL | 226 | Convex | 183 | DS 541-1b | DS 541-4a | DS 541-12a | Until April 1961. |
| MARCHAL | 226 | Convex | 183 | DS 541-1k | DS 541-4c (optic assembly) | DS 541-12b | European Standard. Since April 1961. GERMANY. Until January 1964. |

| NUMBER | DESCRIPTION | No. OFF | NUMBER | DESCRIPTION | No. OFF | NUMBER | DESCRIPTION | No. OFF |
|------------|---|---------|------------|--|---------|---------|---|---------|
| DS 541-03a | Support for Marchal headlamp (R. VI). Until April 1961. | 2 | DS 541-13c | Connector bulb holder for Marchal headlamp (R. VI). Since April 1961. GERMANY. Until January 1964. | 2 | 615.711 | Nut clip for 5 mm diameter screw securing headlamps (R. VI). | 12 |
| DS 541-03d | Rim supporting glass for Marchal headlamp (R. VI). Since April 1961. | 2 | DS 541-13e | Connector for Cibie headlamp (R. VI). ITALY. All Types. Since April 1961. GERMANY. Until January 1964. | 2 | 706.670 | Bulb, 6 volts, 36/45 watts, for headlamps (R. VI). Until September 1960. | 2 |
| DS 541-03e | Rim supporting glass for Cibie headlamp (R. VI). | 2 | DS 541-13g | Connector for Cibie bulb holder (R. VI). GERMANY. Since January 1964. | 2 | 706.721 | Bulb, 6 volts, 4 watts, 2 contacts, for headlamps (R. VI). Until September 1960. | 2 |
| DS 541-11 | <i>Rubber dust cover for Cibie headlamp (R. VI). Until September 1962. No longer supplied.</i> | 2 | DS 541-97 | Clip securing cover for Cibie headlamp (R. VI). Until April 1961. | 2 | 706.723 | Bulb, 6 volts (R. VI). ITALY. Until September 1960. | 2 |
| DS 541-11a | Rubber dust cover for Marchal headlamp (R. VI). Until April 1961. | 2 | D 544-10 | Red tell-tale light for headlamps on front wing (R. VI). Until September 1962. | 2 | 706.724 | Bulb, 6 volts (R. VI). ITALY. Until September 1960. | 2 |
| DS 541-11b | <i>Rubber dust cover for Cibie headlamp (R. VI). ITALY. All Types. April 1961 - September 1962. No longer supplied.</i> | 2 | D 544-11 | Sealing joint for tell-tale on front wing. Until September 1962. | 2 | 706.726 | Bulb, 12 volts, 4 watts (R. VI). ITALY. Since September 1960. All Types. Since April 1961. | 2 |
| DS 541-13 | Bulb holder for Cibie headlamp (R. VI). Until April 1961. | 2 | 124-S 30 | <i>Screw, round head, pointed, 5 diameter x 12.5 long, securing headlamp on wing (R. III). Replaced by 2.502-S 30.</i> | 12 | 706.727 | Bulb, 12 volts, 45/40 watts, for headlamps (R. VI). ITALY. Since September 1960. All Types. Since April 1961. | 2 |
| DS 541-13a | Bulb holder for Marchal headlamp (R. VI). Until April 1961. | 2 | | | | 706.729 | Bulb, 12 volts, 4 watts, 2 contacts (R. VI). Until April 1961. | 2 |
| | | | | | | 706.734 | Bulb, 12 volts, 36/45 watts, for headlamps (R. VI). Until April 1961. | 2 |

The numbers underlined indicate new parts which do not appear on the illustration.

242—HEADLAMPS—LIGHTING—DIRECTION INDICATORS—REAR LIGHT—STOP LIGHT (EXCEPT U.S.A.)

| NUMBER | DESCRIPTION | No. OFF | NUMBER | DESCRIPTION | No. OFF | NUMBER | DESCRIPTION | No. OFF |
|---|---|---------|--|---|---------|------------------|---|---------|
| INTERIOR LIGHTING Until September 1964 | | | REAR BOOT LIGHTING CONFORT Since May 1961 | | | | | |
| D 522-7a | Switch on door pillar, length of plunger 18 mm (R. VI). CONFORT. Since May 1961. | 2 | D 522-7a | Switch for rear boot lighting (R. VI). | 1 | <u>DS 575-1g</u> | Direction indicator light "Axo" (white) front right-hand, without bulb (R. VI). Since September 1964. | 1 |
| DM 545-2 | Interior lighting unit on centre pillar (without bulb) (R. VI). CONFORT. Until May 1961. | 1 | DS 545-9 | Lighting unit for rear boot (without bulb) (R. VI). | 1 | DS 575-1j | Direction indicator light, front, left-hand "Axo" orange and white without bulb (R. VI). ITALY. Since July 1961. | 1 |
| DM 545-2a | Interior lighting unit, insulated on centre pillar (without bulb) (R. VI). CONFORT. Since May 1961. | 1 | DS 545-10 | Cover for rear boot lighting unit (R. VI). | 1 | DS 575-1k | Direction indicator light, front, right-hand "Axo" orange and white without bulb (R. VI). ITALY. Since July 1961. | 1 |
| DM 545-4a | <i>Glass for lighting unit (R. VI). Replaced by AM 545-4.</i> | 1 | DS 545-84 | Bracket for rear boot lighting unit. | 1 | DS 575-1p | Direction indicator light, front, left-hand "Axo" orange without bulb (R. VI). GERMANY. Since July 1961. | 1 |
| 5. 220 | Bulb, 6 volts, 7 watts, 19 mm bulb for lighting (R. VI). Until September 1960. | 1 | DS 545-87 | <i>Bracket for switch for rear boot lighting. Until July 1963. Replaced by DS 545-87a.</i> | 1 | DS 575-1q | Direction indicator light, front, right-hand "Axo" orange without bulb (R. VI). GERMANY. Since July 1961. | 1 |
| 2. 668-S | Screw, round head, 3.5 diameter x 10 long, securing lighting unit on centre pillar (R. VI). | 2 | DS 545-87a | Bracket for switch for boot lighting. Until July 1963. | 1 | DS 575-1r | Direction indicator light "Seima" (white) front left-hand (R. VI). Since March 1963. | 1 |
| 706.067 | Bulb, 12 volts, 7 watts, 19 mm bulb for lighting (R. VI). TAXI. All Types. Since September 1960. | 1 | 2. 668-S | Screw, round head, 3.5 diameter x 10 long, securing brackets for lighting unit and switch for rear boot. | 5 | DS 575-1s | Direction indicator light "Seima" (white) front right-hand (R. VI). Since March 1963. | 1 |
| INTERIOR LIGHTING Since September 1964 | | | 615.715 | Nut clips for 3.5 mm diameter screw, securing lighting for rear boot (R. VI). | 2 | DM 575-6 | Housing, left-hand, for rear direction indicator light (R. VI). | 1 |
| D 522-7a | Switch on door pillar, length of plunger 18 mm (R. VI). | 2 | 707.194 | Bulb, 12 volts, 4 watts, 2 contacts, for rear boot lighting (R. VI). | 1 | DM 575-6a | Housing, right-hand, for rear direction indicator light (R. VI). | 1 |
| DM 545-2b | Interior lighting (1 wire) on centre pillar (without bulb) (R. VI). LUXE. | 1 | DIRECTION INDICATOR LIGHTS PARKING LIGHTS | | | DM 575-9b | Direction indicator light, rear, left-hand, orange without bulb (R. VI). | 1 |
| DM 545-2c | Interior lighting, insulated (2 wire) on centre pillar (without bulb) (R. VI). CONFORT. | 1 | D 544-04a | Parking light (without bulb) (R. VI). September 1958 - February 1962. | 2 | DM 575-9c | Direction indicator light, rear, right-hand, orange without bulb (R. VI). | 1 |
| DM 545-4c | Glass for interior light (R. VI). | 1 | D 575-1 | <i>Direction indicator light "Axo" (white), front, left-hand without bulb (R. VI). Until September 1964. Replaced by DS 575-1f.</i> | 1 | D 575-11 | <i>Spring holding reflector plate in rear direction indicator light (R. VI). Until July 1960. No longer supplied.</i> | 2 |
| 2. 756-S | Screw, round head, 3.5 x 9.5, for securing lighting on centre pillar (R. VI). | 2 | D 575-1a | <i>Direction indicator light "Axo" (white) front, right-hand without bulb (R. VI). Until September 1964. Replaced by DS 575-1g.</i> | 1 | DS 575-28b | Reflector with orange glass and support for rear direction indicator light bulb (R. VI). | 2 |
| 706.604 | Bulb, 12 volts, 15 watts, for lighting (R. VI). | 1 | <u>DS 575-1f</u> | Direction indicator light "Axo" (white) front left-hand, without bulb (R. VI). Since September 1964. | 1 | DS 575-68 | Plate securing rear direction indicator, right-hand, on boot hinge, 65 mm long. Until February 1958. | 1 |
| | | | | | | DS 575-68a | Plate securing direction indicator, right-hand, on hinge of rear boot, 50 mm long. Since February 1958. | 1 |

HEADLAMPS—LIGHTING—DIRECTION INDICATORS—REAR LIGHT—STOP LIGHT (EXCEPT U.S.A.)—245

| NUMBER | DESCRIPTION | No. OFF | NUMBER | DESCRIPTION | No. OFF | NUMBER | DESCRIPTION | No. OFF |
|------------|---|---------|--|---|---------|--------------------------------------|--|---------|
| DS 575-69 | Plate securing rear direction indicator, left-hand, on boot hinge, 65 mm long. Until February 1958. | 1 | DM 544-4 | Cover for rear lamp (R. VI). | 2 | DM 576-02a | Switch for stop lamp (R. VI). Left-hand steering. | 1 |
| DS 575-69a | Plate securing direction indicator, left-hand, on rear boot hinge, 50 mm long. Since February 1958. | 1 | <u>DS 544-23</u> | Sealing joint for rear light cover Seima (R. VI). | 2 | DM 576-02b | Switch for stop lamp (R. VI). Right-hand steering. | 1 |
| D 575-91 | Spring retaining reflector for rear direction indicator light (R. VI). | 2 | DM 576-02 | Switch for stop lamp (R. VI). Until August 1961. | 1 | 483-S 30 | Screw, hex. head, 7 diameter x 15 long, securing rear light (R. III). | 4 |
| 2.665-S | Screw, round head, 5 diameter x 16 long, securing front direction indicator light (R. VI). | 4 | DM 576-02a | Switch for stop lamp (R. VI). Left-hand steering. Since August 1961. | 1 | 706.604 | Bulb, 12 volts, 15 watts, for stop lamp (R. VI). | 2 |
| 2.746-S | Screw, P.K. round head, cruciform slot, 4.85 mm diameter, securing rear direction indicator light (R. VI). | 2 | DM 576-02b | Switch for stop lamp (R. VI). Right-hand steering. Since August 1961. | 1 | 706.732 | Bulb, 12 volts, 4 watts, lighting number plate, red light and parking light (R. VI). | 6 |
| 615.710 | Nut clip for 5 mm diameter screw securing front direction indicator light (R. VI). | 4 | DM 576-98 | Control rod for stop lamp switch. Until August 1961. | 1 | REFLECTOR Until July 1959 | | |
| 615.712 | Nut clip for 4.85 mm diameter screw securing rear direction indicator light (R. VI). | 2 | 483-S 30 | Screw, hex. head, 7 diameter x 15 long, securing rear lamp (R. III). | 4 | DM 579-1b | Rear reflector, round (R. VI). Until September 1958. | 2 |
| 706.570 | Bulb, 6 volts, 15 watts, for front and rear direction indicator light (R. VI). Until September 1960. | 4 | 706.609 | Bulb, 12 volts, 4 watts, for rear lamp (R. VI). | 8 | DM 579-1c | <i>Rear reflector, rectangular. Seima (R. VI). Since September 1958. No longer supplied.</i> | 2 |
| 706.604 | Bulb, 12 volts, 15 watts, for front and rear direction indicators (R. VI). TAXI. ALL TYPES. Since September 1960. | 4 | 706.620 | Bulbs, 6 volts, 4 watts, for rear lamp (R. VI). Until September 1960. | 8 | DM 579-3 | Joint, rubber, round, for rear reflector, 65 mm diameter (R. VI). Until September 1958. | 2 |
| 706.616 | Bulb, 6 volts, 1.5 watts, for parking light (R. VI). September 1958 - September 1960. | 2 | REAR LAMP—STOP LAMP PARKING LIGHT Since February 1962 | | | DM 579-3a | Joint, rubber, for rectangular rear reflector (R. VI). Since September 1958. | 2 |
| 706.722 | Bulb, 12 volts, 2 watts, for parking light (R. VI). TAXI. ALL TYPES. September 1960 - February 1962. | 2 | DW 544-02b | Rear lamp, Seima (without bulb) lighting number plate, red light and parking light (R. VI). | 2 | Since July 1959 | | |
| DM 544-02a | Rear lamp complete (without bulb) (R. VI). | 2 | DM 544-4 | Cover for rear light (without support) (R. VI). | 2 | DS 579-1 | Rear reflector embedded in rear wing (R. VI). | 2 |
| | REAR LAMP—STOP LAMP Until February 1962 | | <u>DS 544-23</u> | Sealing joint for rear light cover Seima (R. VI). | 2 | DS 851-160 | Clamp securing reflectors on rear wings. | 2 |

The numbers underlined indicate new parts which do not appear on the illustration.

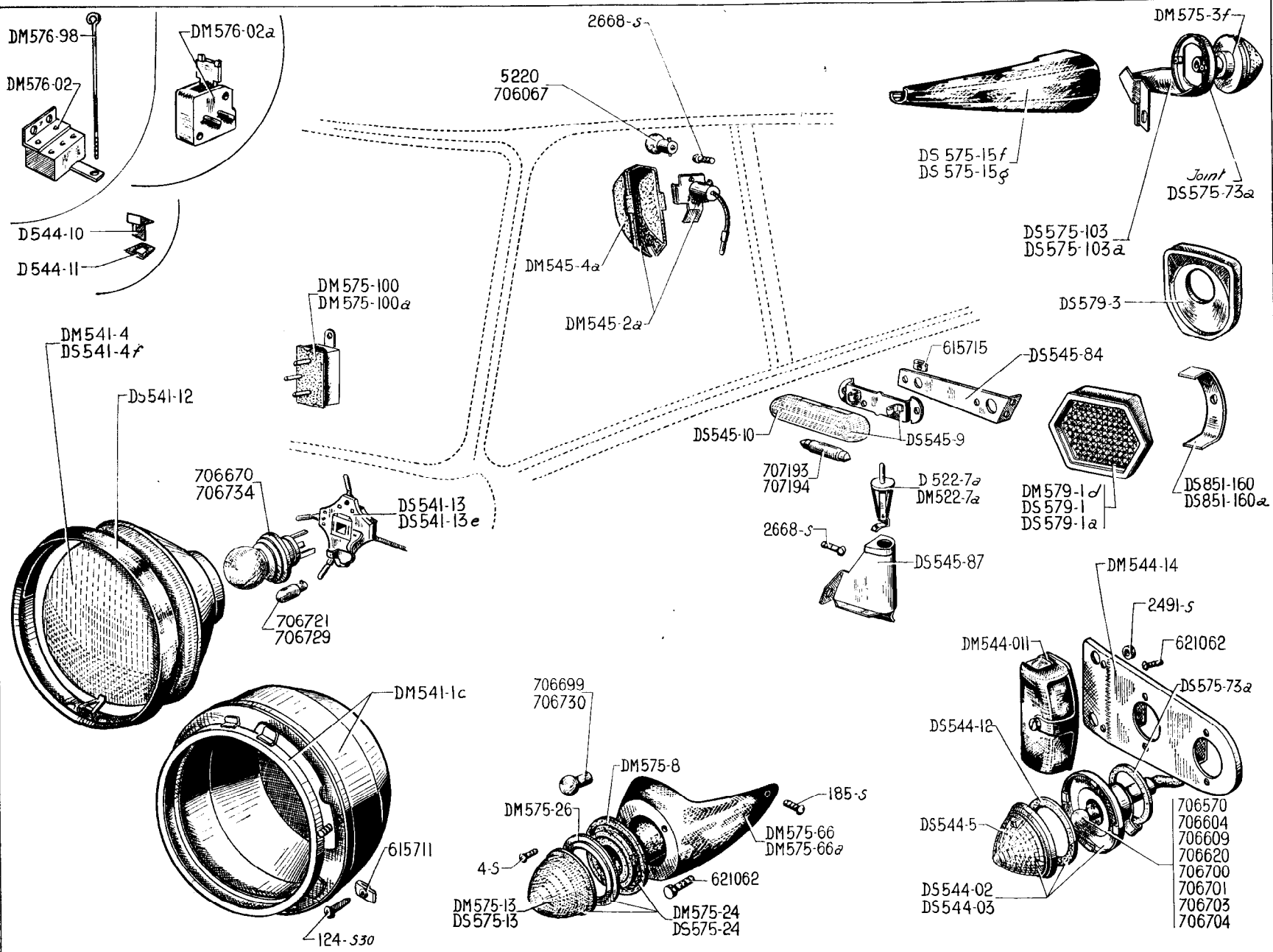
HEADLAMPS—LIGHTING—DIRECTION INDICATORS—REAR LIGHT—STOP LIGHT (EXCEPT U.S.A.)—245A

| NUMBER | DESCRIPTION | No. OFF | NUMBER | DESCRIPTION | No. OFF | NUMBER | DESCRIPTION | No. OFF |
|------------|---|---------|------------|---|---------|------------|--|---------|
| | SPECIAL PARTS BERLINE WITH PARTITION | | DS 579-95 | Joint for rear reflector between wing and bracket (R. VI). | 2 | | REAR LAMP STOP LAMP PARKING LIGHT Since September 1964 | |
| A 545-2b | Interior light, front, complete (without bulb) (R. VI). | 1 | D 545-2b | Front interior map reading lamp (R. VI). | 1 | 2. 319-S | Nut, hex., 5 x 75, for screws securing lamps (R. III). | 4 |
| D 545-2c | Interior light, rear, complete (without bulb) (R. VI). | 1 | D 545-4 | Glass for front interior light (R. VI). | 1 | DS 544-07c | Red rear light with wire (without bulb). | 2 |
| D 545-4 | Glass for front interior light (R. VI). | 1 | | REAR LAMP STOP LAMP PARKING LIGHT Until September 1964 | | DS 576-2 | Red rear stop light with wire (without bulb). | 2 |
| D 545-4a | Glass for rear interior light (R. VI). | 1 | DS 544-02 | Red lamp, rear, with wire (without bulb). | 2 | 706.744 | Bulb, 12 volts (R. VI): - for rear red light. - for rear light. | 2 4 |
| | CABRIOLET | | DS 544-03 | Red rear stop lamp with wire (without bulb). | 2 | 706.745 | Bulb, 12 volts, for rear red stop light (R. VI). | 2 |
| DS 579-04 | Reflector, rear left-hand, Seima with support (R. VI). | 1 | DS 544-5 | Red glass for rear lights (R. VI). | 4 | DS 544-08 | Rear light illuminating number plate (without bulb) (R. VI). | 2 |
| DS 579-04a | Reflector, rear right-hand, Seima with support (R. VI). | 1 | 706.604 | Bulb, 12 volts, 15 watts, for rear stop lights (R. VI). | 2 | DM 544-14 | <i>Plate for securing lamps (R. VI). Replaced by DS 544-14.</i> | 2 |
| DS 575-20 | Cover, rear left-hand, for Seima direction indicator light (R. VI). | 1 | 706.609 | Bulb, 12 volts, 4 watts, for rear lights (R. VI). | 2 | 2. 334-S | Washer, shakeproof, 5.2 x 9.4, under nut securing lamps. | 4 |
| DS 575-20a | Cover, rear right-hand, for Seima direction indicator light (R. VI). | 1 | 706.704 | Bulb, 12 volts, 3 watts, for rear light lighting number plate (R. VI). | 2 | 621.062 | Screw, hex. head, 5 x 14, for securing rear lamps (R. III). Replaced by 283-S 30. | 4 |
| DS 575-2h | Seima direction indicator light, rear left-hand, without bulb (R. VI). | 1 | DM 544-011 | <i>Rear light, lighting rear number plate (without bulb) (R. VI). Replaced by DS 544-08.</i> | 2 | | | |
| DS 575-2i | Seima direction indicator light, rear right-hand, without bulb (R. VI). | 1 | DM 544-14 | <i>Plate securing rear lights, stop light and number plate illumination light (R. VI). Replaced by DS 544-14.</i> | 2 | | | |

246—HEADLAMPS—LIGHTING—DIRECTION INDICATORS—REAR LIGHT—STOP LIGHT (U.S.A.)

| MAKE of headlamp | EXTERNAL diameter of headlamp | SHAPE of glass | DIAMETER of glass | NUMBER of headlamp | NUMBER of glass | NUMBER of rim | REMARKS |
|------------------|-------------------------------|----------------|-------------------|---|--|--|---|
| CIBIE | 226 | Convex | 183 | DM 541-1c (R. VI) (without optic) | DM 541-4 (R. VI) (optic assembly) | DS 541-12 (R. VI) <i>Replaced by DX 541-12</i> | Headlamp without optic for U.S. A. Until April 1961. |
| CIBIE | 226 | Convex | 183 | DM 541-1c (R. VI) (without optic) | DS 541-4f (R. VI) (optic assembly) | DS 541-12 (R. VI) <i>Replaced by DX 541-12</i> | European standard. Headlamp fitted without optic for U.S. A. Since April 1961. |

| NUMBER | DESCRIPTION | No. OFF | NUMBER | DESCRIPTION | No. OFF | NUMBER | DESCRIPTION | No. OFF |
|------------|--|---------|------------------|--|---------|-------------------|---|---------|
| DS 541-13 | Bulb holder for Cibie headlamp (R. VI). Until April 1961. | 2 | | INTERIOR LIGHTING Until September 1964 | | <u>2.263-S</u> | Screw, round head, 3.5 x 15.9, for securing light on centre pillar (R. VI). | 2 |
| DS 541-13e | Connector for Cibie headlamp (R. VI) | 2 | D 522-7a | Switch on door pillar, length of plunger 18 mm (R. VI): - front, left-hand. | 1 | <u>706.604</u> | Bulb, 12 volt, 15 watts, for lighting (R. VI). | 1 |
| D 544-10 | Tell-tale, red, for headlamp lighting on front wing (R. VI). Until September 1962. | 2 | | - front, right-hand. Since April 1959. | 1 | | REAR BOOT LIGHTING | |
| D 544-11 | Joint sealing tell-tale, on front wing. Until September 1962. | 2 | DM 522-7a | Switch on front door pillar, right-hand, length of plunger 27 mm (R. VI). Until April 1959. | 1 | D 522-7a | Switch for rear boot lighting (R. VI). | 1 |
| 124-S 30 | Screw, round head, 5 diameter x 12.5 long, pointed, securing headlamps on wing (R. III). <i>Replaced by 2.502-S 30.</i> | 12 | DM 545-2a | Interior light, insulated, on centre pillar (without bulb) (R. VI). <i>Glass for light (R. VI).</i> | 1 | DS 545-9 | Lamp for rear boot (without bulb) (R. VI). | 1 |
| 615.711 | Nut clip for 5 mm diameter screw securing headlamp (R. VI). | 12 | DM 545-4a | <i>Replaced by AM 545-4.</i> | 1 | DS 545-10 | Cover for rear boot light (R. VI). | 1 |
| 706.670 | Bulb, 6 volts, 36/45 watts, for headlamps (R. VI). Until May 1959. | 2 | 5.220 | Bulb, 6 volts, 7 watts, 19 mm bulb for light (R. VI). Until May 1959. | 1 | DS 545-84 | Support for rear boot light. | 1 |
| 706.721 | Bulb, 6 volts, 4 watts, 2 contacts, for headlamps (R. VI). Until May 1959. | 2 | 2.668-S | Screw, round head, 3.5 x 10, securing light on centre pillar (R. VI). | 2 | DS 545-87 | <i>Support for switch for rear boot light. Until July 1963. Replaced by DS 545-87a.</i> | 1 |
| 706.729 | Bulb, 12 volts, 4 watts, 2 contacts, for headlamps (R. VI). Since May 1959. | 2 | 706.067 | Bulb, 12 volts, 7 watts, 19 mm bulb for light (R. VI). Since May 1959. | 1 | <u>DS 545-87a</u> | Support for switch for boot light. Since July 1963. | 1 |
| 706.734 | Bulb, 12 volts, 45 watts, for headlamps (R. VI). Since May 1959. | 2 | | INTERIOR LIGHTING Since September 1964 | | 2.668-S | Screw, round head, 3.5 x 10, securing supports for rear boot light and switch. | 5 |
| | | | <u>D 522-7a</u> | Switch on front door pillar, right and left-hand (R. VI). | 2 | 615.715 | Nut clip for 3.5 mm diameter screw securing rear boot light (R. VI). | 2 |
| | | | <u>DM 545-2c</u> | Interior light, insulated (2 wire) on centre pillar, without bulb (R. VI). | 1 | 707.193 | Bulb, 6 volts, 4 watts, 2 contacts, for rear boot light (R. VI). Until May 1959. | 1 |
| | | | <u>DM 545-4c</u> | Glass for lighting (R. VI). | 1 | 707.194 | Bulb, 12 volts, 4 watts, 2 contacts, for rear boot light (R. VI). | 1 |



HEADLAMPS—LIGHTING—DIRECTION INDICATORS—REAR LIGHT—STOP LIGHT (U.S.A.) 249

| NUMBER | DESCRIPTION | No. OFF | NUMBER | DESCRIPTION | No. OFF | NUMBER | DESCRIPTION | No. OFF |
|-------------------|---|---------|-------------|--|---------|-------------------|---|---------|
| | DIRECTION INDICATORS FRONT AND REAR "LUCAS" | | | | | | | |
| DS 544-5 | Glass globe for rear direction indicators (R. VI). | 2 | DM 575-100a | Flashing unit, Klaxon, 12 volts (R. VI). Since May 1959. | 1 | DM 576-02 | Switch for stop lamp (R. VI). Until August 1961. | 1 |
| DS 544-12 | Joint, foam rubber, for internal sealing of rear direction indicator lights (R. VI). | 4 | DS 575-103 | Bracket securing rear direction indicator light, left-hand. | 1 | DM 576-02a | Switch for stop lamp (R. VI). Left-hand steering. Since August 1961. | 1 |
| DM 575-3f | Direction indicator light, rear, right-hand and left-hand with wire (without bulb). | 2 | DS 575-103a | Bracket securing rear direction indicator light, right-hand. | 1 | DM 576-98 | Control rod for stop lamp. Until August 1961. | 1 |
| DM 575-8 | Joint, rubber, for front direction indicator light (R. VI). | 2 | 4-S | Screw, round head, 3 diameter x 12 long, securing front direction indicator light (R. III). | 6 | 2.491-S | Nut, hex., 7 diameter x 100 pitch, securing rear light (R. III). | 2 |
| DM 575-13 | White glass globe for front direction indicator light (R. VI). | 2 | 185-S | <i>Screw, raised head, countersunk, 5 diameter x 15 long, securing rear part of housing for front direction indicator light (R. III). Replaced by 2.516-S.</i> | 2 | 621.062 | <i>Screw, hex. head, 5 diameter x 14 long, securing rear light on plate (R. III). Replaced by 283-S 30.</i> | 8 |
| DS 575-13 | Amber glass globe for front direction indicator light, Scintex (R. VI). Since September 1963. | 2 | 621.062 | <i>Screw, hex. head, 5 diameter x 14 long, securing front part of housing for front direction indicator light (R. III). Replaced by 283-S 30.</i> | 4 | 706.570 | Bulbs, 6 volts, 15 watts, for rear stop lamps (R. VI). Until December 1959. | 2 |
| DS 575-15f | Housing, short, for rear direction indicator light, left-hand. | 1 | 706.699 | <i>Bulb, 6 volts, 20.4 watts, for front direction indicator light (R. VI). Until May 1959. No longer supplied.</i> | 2 | 706.604 | Bulb, 12 volts, 15 watts, for rear stop lamps (R. VI). Since December 1959. | 2 |
| DS 575-15g | Housing, short, for rear direction indicator light, right-hand. | 1 | 706.700 | <i>Bulb, 6 volts, 25 watts, for rear direction indicator light (R. VI). Until May 1959. No longer supplied.</i> | 2 | 706.609 | Bulb, 12 volts, 4 watts, for rear lights (R. VI). Since December 1959. | 2 |
| DM 575-24 | Direction indicator light, front, (white) (without bulb) (R. VI). Until September 1964. | 2 | 706.703 | Bulb, 12 volts, for rear direction indicator light (R. VI). Since May 1959. | 2 | 706.620 | Bulbs, 6 volts, 4 watts, for rear lights (R. VI). Until December 1959. | 2 |
| <u>DM 575-24a</u> | <i>Direction indicator light, front, (white) (without bulb) (R. VI). Since September 1964. Replaced by DS 575-24.</i> | 2 | 706.730 | Bulb, 12 volts, for front direction indicator lights (R. VI). Since May 1959. | 2 | 706.701 | <i>Bulb, 6 volts, 2.7 watts, for rear lamp lighting registration number plate (R. VI). Until December 1959. No longer supplied.</i> | 2 |
| DS 575-24 | Direction indicator light, front, Scintex, amber (R. VI). Since September 1963. | 2 | | REAR LAMP—STOP LAMP "LUCAS" | | 706.704 | Bulb, 12 volts, 3 watts, for rear lamp lighting registration number plate (R. VI). Since December 1959. | 2 |
| DM 575-26 | Collar for front direction indicator light (R. VI). | 2 | | Until November 1964 | | | REAR LAMP—STOP LAMP "LUCAS" | |
| DM 575-66 | Housing for front direction indicator light, left-hand (R. VI). | 1 | DS 544-02 | Red rear lamp with wire (without bulb). | 2 | <u>DS 544-07c</u> | Rear red lamp with wire (without bulb). | 2 |
| DM 575-66a | Housing for front direction indicator light, right-hand (R. VI). | 1 | DS 544-03 | Red stop lamp with wire (without bulb). | 2 | <u>DS 544-08</u> | Rear lamp lighting registration plate (without bulb) (R. VI). | 2 |
| DS 575-73a | Joint, rubber, round, for rear direction indicator light, right-hand and left-hand (R. VI). | 2 | DM 544-011 | <i>Rear lamp lighting registration number plate (without bulb) (R. VI). Replaced by DS 544-08.</i> | 2 | <u>DM 544-14</u> | <i>Plate for securing rear lamp, stop light and number plate light (R. VI). Replaced by DS 544-14.</i> | 2 |
| DM 575-100 | Flashing unit, Klaxon, 6 volts (R. VI). Until May 1959. | 1 | DS 544-5 | Red glass for rear light (R. VI). | 4 | DM 576-02a | Stop light switch (R. VI). | 1 |
| | | | DS 544-12 | Joint, foam rubber, sealing interior of rear light (R. VI). | 4 | <u>DS 576-2</u> | Red rear stop light, with wire (without bulb). | 2 |
| | | | DM 544-14 | Plate securing rear lamp, stop lamp and rear registration plate lamp (R. VI). | 2 | | | |

The numbers underlined indicate new parts which do not appear on the illustration.

HEADLAMPS—LIGHTING—DIRECTION INDICATORS—REAR LIGHT—STOP LIGHT (U.S.A.)—249A

| NUMBER | DESCRIPTION | No. OFF | NUMBER | DESCRIPTION | No. OFF | NUMBER | DESCRIPTION | No. OFF |
|----------------|--|---------|-----------|---|---------|-------------|---|---------|
| 2. 319-S | Nut, hex., 5 x 75, for screws securing lamps (R. III). | 4 | | | | | | |
| 2. 334-S | Washer, shakeproof, 5.2 x 9.4 under nuts securing lamps (R. VI). | 4 | DM 579-1d | REFLECTORS Until November 1961 <i>Rear reflector (R. VI). U. S. A. Until July 1959. No longer supplied.</i> | 2 | DS 851-160a | Clip for securing reflector on rear wing. U. S. A. Since July 1959. | 2 |
| 621.062 | Screw, hex. head, 5 x 14, for securing rear lamps on plate (R. III). Replaced by 283-S 30. | 4 | DS 579-1a | Reflector, round, embedded in rear wing (R. VI). U. S. A. Since July 1959. | 2 | | Since November 1961 | |
| <u>706.744</u> | Bulb, 12 volts (R. VI): - for rear red lamps. - for rear light. | 2 4 | DS 579-3 | <i>Joint for round reflector embedded in rear wing (R. VI). U. S. A. Since July 1959. No longer supplied.</i> | 2 | DS 579-1 | Reflector, rear, embedded in rear wing (R. VI). | 2 |
| <u>706.745</u> | Bulb, 12 volts for red rear stop lights (R. VI). | 2 | | | | DS 851-160 | Clip for securing embedded reflector. | 2 |

The numbers underlined indicate new parts which do not appear on the illustration.

250—WIRING

| NUMBER | DESCRIPTION | No. OFF | NUMBER | DESCRIPTION | No. OFF | NUMBER | DESCRIPTION | No. OFF |
|------------|--|---------|------------|---|---------|------------|---|---------|
| | CABLES BY THE METER (R. VI). | | | | | | | |
| 3. 732 | Cable, 2 mm single core. | As nec. | DM 511-8c | Cable from battery negative terminal to earth on water pump, 590 mm long. | 1 | DM 511-6d | <i>Harness for headlight and direction indicator light, left-hand. U.S.A. No longer supplied.</i> | 1 |
| 3. 733 | Cable, 1.2 mm single core. | As nec. | DM 511-17 | <i>Cable from solenoid starter switch to starter, 975 mm long ("LUCAS" 12 volts assembly). U.S.A. No longer supplied.</i> | 1 | DM 511-6e | <i>Harness for headlight and direction indicator light, right-hand U.S.A. No longer supplied.</i> | 1 |
| 921. 552 | <i>Cable, 40 mm for battery. No longer supplied.</i> | As nec. | DM 524-01c | Solenoid "Gelbon" 12 volts for starter motor with positive cable (R. VI). | 1 | DM 511-9a | Harness, front, metallic coil assembly. Until September 1958. | 1 |
| | BATTERY CABLES 6 Volt Assembly U.S.A. Until May 1959 ALL TYPES Until September 1960 | | | CABLE HARNESS 6 Volt Assembly U.S.A. Until May 1959 ALL TYPES Until September 1960 | | DM 511-9c | <i>Harness, front. U.S.A. No longer supplied.</i> | 1 |
| DM 511-8a | Cable, 20 mm from battery negative terminal to water pump, 450 mm long. | 1 | DM 511-3a | <i>Harness, rear. Left-hand steering. Until September 1958. No longer supplied.</i> | 1 | DM 511-9f | Harness, front (assembly for parking light on centre pillar). Left-hand steering. September 1958 - June 1960. | 1 |
| DM 524-01a | Solenoid "Gelbon" 6 volts for starter motor with positive cable (R. VI). | 1 | DM 511-3b | <i>Harness, rear. U.S.A. Until June 1960. No longer supplied.</i> | 1 | DM 511-9j | Harness, front. Right-hand steering. | 1 |
| | BATTERY CABLES 12 Volt Assembly U.S.A. May 1959—September 1962 TAXI March 1960—September 1962 ALL TYPES September 1960—September 1962 | | DM 511-3c | Harness, rear (assembly for parking light on centre pillar). Left-hand steering. Since September 1958. | 1 | DM 511-9v | Harness, front (assembly with "AXO" switch for direction indicator light). Since June 1960. | 1 |
| DM 511-5 | <i>Cable from battery positive terminal to earth, 610 mm long ("LUCAS" 12 volts assembly). U.S.A. No longer supplied.</i> | 1 | DM 511-3e | Harness, rear. Right-hand steering. | 1 | | CABLE HARNESS 12 Volt Assembly TAXI March 1960—September 1962 ALL TYPES Left-hand Steering (Except U.S.A.) September 1960—September 1962 | |
| DM 511-8b | <i>Cable from battery negative terminal to solenoid starter switch, 150 mm long ("LUCAS" 12 volts assembly). U.S.A. No longer supplied.</i> | 1 | DM 511-24c | Harness, rear, assembly for "AXO" switch for direction indicator light. Since June 1960. | 1 | DM 511-23c | <i>Harness, front. Taxi. Until September 1960. No longer supplied.</i> | 1 |
| | | | DM 511-6 | Harness for headlamps and front direction indicator light, left-hand. | 1 | DM 511-23e | Harness, front. - LUXE. Until August 1961. - CONFORT. Until May 1961. | 1 1 |
| | | | DM 511-6a | Harness for headlight and direction indicator light, right-hand. | 1 | DM 511-23g | Harness, front (assembly with light switch on front door pillar). CONFORT. May 1961 - August 1961. | 1 |
| | | | | | | DM 511-23w | <i>Harness, front. CABRIOLET. Until August 1961. No longer supplied.</i> | 1 |

| NUMBER | DESCRIPTION | No. OFF | NUMBER | DESCRIPTION | No. OFF | NUMBER | DESCRIPTION | No. OFF | | | |
|------------|--|---------|------------|--|---------|--|--|---------|------------|---|---|
| DM 511-35 | Harness, front (brake control assembly). CONFORT. August 1961 - February 1962. | 1 | DM 511-24c | Harness, rear. LUXE. Until February 1962. | 1 | 12 VOLT ASSEMBLY U.S.A. May 1959-September 1962 | | | | | |
| DM 511-35a | Harness, front (brake control assembly). LUXE. August 1961 - February 1962. | 1 | DM 511-24e | Harness, rear. CONFORT. May 1961 - February 1962. | 1 | | | | DM 511-6f | Harness for headlamp and front direction indicator, left-hand. | 1 |
| DM 511-35g | Harness, front (rear heating and demisting). CONFORT, COLD CLIMATES. August 1961 - February 1962. | 1 | DM 511-24f | Harness, rear (rear heating and demisting). CONFORT, COLD CLIMATES. August 1961 - February 1962. | 1 | | | | DM 511-6g | Harness for headlamp and front direction indicator, right-hand. | 1 |
| DM 511-35r | Harness, front (brake control assembly). CABRIOLET. | 1 | DM511-24m | Harness, rear. CABRIOLET. | 1 | | | | DM 511-9e | <i>Harness, front ("LUCAS" assembly No longer supplied.</i> | 1 |
| DM 511-35t | <i>Harness, front, arrangement with 4 fuses (deletion of light position on centre pillar). CONFORT. Since February 1962. Replaced by DM 511-44a.</i> | 1 | DM 511-24r | <i>Harness, rear (deletion of light position on centre pillar). LUXE. Since February 1962. Replaced by DM 511-36.</i> | 1 | | | | DM 511-23a | Harness, front. Until June 1960. | 1 |
| DM 511-35x | <i>Harness, front, arrangement with 4 fuses (deletion of light position on centre pillar). LUXE. Since February 1962. No longer supplied.</i> | 1 | DM 511-24s | <i>Harness, rear (deletion of light position on centre pillar). CONFORT. Since February 1962. Replaced by DM 511-36a.</i> | 1 | | | | DM 511-23b | Harness, front (AXO direction indicator light switch assembly). June 1960 - August 1961. | 1 |
| DM 511-35y | Harness, front, arrangement with 4 fuses (rear heating and demisting and deletion of light position). CONFORT, COLD CLIMATES. Since February 1962. | 1 | DM 511-24u | <i>Harness, rear (rear heating and demisting, suppression of light position). CONFORT, COLD CLIMATES. Since February 1962. Replaced by DM 511-36c.</i> | 1 | | | | DM 511-35f | Harness, front, arrangement with 4 fuses (brake control assembly). Since August 1961. | 1 |
| DM 511-24b | Harness, rear. Taxi. Until September 1960. No longer supplied. | 1 | DM 511-25 | Harness for headlamp, horns and front direction indicator, left-hand. | 1 | | | | DM 511-35h | Harness, front, arrangement with 4 fuses (rear heating and demisting). CONFORT, COLD CLIMATES. Since August 1961. | 1 |
| | | | DM 511-25a | Harness for headlamp and direction indicator, front, right-hand. | 1 | | | | DM 511-22 | <i>Harness for dynamo and regulator ("LUCAS" assembly). No longer supplied.</i> | 1 |
| | | | DM 511-63 | Earthing harness (headlamp and front direction indicator). | 2 | | | | DM 511-24a | Harness, rear (AXO direction indicator light switch assembly). Since June 1960. | 1 |
| | | | | | | DM 511-24g | Harness, rear (rear heating and demisting). CONFORT, COLD CLIMATES. Since August 1961. | 1 | | | |

252—WIRING

| NUMBER | DESCRIPTION | No. OFF | NUMBER | DESCRIPTION | No. OFF | NUMBER | DESCRIPTION | No. OFF |
|------------|---|---------|------------|---|---------|------------|--|---------|
| | Since September 1962 CABLES BY THE METRE (R. VI). | | DM 511-44t | Front harness (arrangement 4 fuses and heater group, front). CONFORT. Since June 1963. | 1 | DS 511-25b | Harness, for headlamp, horn and direction indicator, front, left-hand. | 1 |
| 3.732 | Cable, 2 mm single core. | As nec. | DM511-24m | Rear harness. CABRIOLET. | 1 | DS 511-25c | Harness for headlamp and front direction indicator, right-hand. | 1 |
| 3.733 | Cable, 1.2 mm single core. | As nec. | DM 511-36 | Rear harness. LUXE. | 1 | | R. H. Steering September 1962—September 1964 | |
| 921.552 | <i>Cable, 40 mm for battery. No longer supplied.</i> | As nec. | DM511-36a | Rear harness. CONFORT. | 1 | DM 511-9x | Front harness (arrangement 4 fuses). CONFORT. Until November 1962. | 1 |
| | BATTERY CABLES | | DM 511-36c | Rear harness. CONFORT. Cold Climates. | 1 | DM 511-44k | Front harness (arrangement 8 fuses). LUXE. Since November 1962. | 1 |
| DM 511-8c | Cable from battery negative terminal to earth on water pump, 590 mm long. Until September 1963. | 1 | DS 511-25 | Harness for headlamps, horn and direction indicator, front, left-hand. | 1 | DM 511-44q | Front harness (arrangement 8 fuses). CONFORT. Since November 1962. | 1 |
| DM 511-8d | <i>Cable from battery negative terminal to earth, 480 mm long. November 1963 - March 1964. Replaced by DM 511-8e.</i> | 1 | DS 511-25a | Cable for headlamp and direction indicator, front, right-hand. | 1 | DM 511-36e | Rear harness. LUXE. | 1 |
| DM 511-8e | Cable from battery negative terminal to earth, 480 mm long. Since March 1964. | 1 | DS 511-22 | Cable for dynamo. Since December 1963. | 1 | DM 511-36f | Rear harness. CONFORT. | 1 |
| DS 524-01a | Solenoid "Gelbon", 12 volts with positive cable (R. VI). | 1 | DS 511-63a | Cable to earth, headlamp and front indicator, 150 mm long. | 2 | DS 511-25 | Harness for headlamp, horn and direction indicator, left-hand. | 1 |
| | CABLE HARNESS L. H. Steering Except U.S.A. September 1962—September 1964 | | DM 511-107 | Cable for heater group, front. CONFORT. Since June 1963. | 1 | DS 511-25a | Harness for headlamp and direction indicator, right-hand. | 1 |
| | | | | U.S.A. September 1962—September 1964 | | DS 511-63a | Earth cable, headlamp and direction indicator, length 150 mm. | 2 |
| DM 511-44 | Front harness (arrangement 4 fuses). LUXE. | 1 | DM 511-35f | Cable, front (arrangement 4 fuses). Until November 1962. | 1 | DS 511-22 | Harness for dynamo. Since December 1963. | 1 |
| DM511-44a | Front harness (arrangement 4 fuses) and without heating group. CONFORT. | 1 | DM 511-35h | Cable, front (arrangement 4 fuses, heating group and demisting, rear). CONFORT. Cold Climates. Until November 1962. | 1 | DM 511-110 | Harness for heater group, front. CONFORT. | 1 |
| DM 511-35y | Front harness (arrangement 4 fuses, heating and demisting rear). CONFORT. Cold Climates. Until November 1962. | 1 | DM 511-44g | Front harness (arrangement 8 fuses). Since November 1962. | 1 | | | |
| DM 511-44c | Front harness (arrangement 8 fuses). CONFORT. Cold Climates. Since November 1962. | 1 | DM 511-24a | Rear harness. | 1 | | | |
| | | | DM 511-24g | Rear harness, heating and demisting, rear. CONFORT. Cold Climates. | 1 | | | |

| NUMBER | DESCRIPTION | No. OFF | NUMBER | DESCRIPTION | No. OFF | NUMBER | DESCRIPTION | No. OFF |
|------------|---|---------|------------|--|---------|------------|--|---------|
| | CABLES BY THE METRE (R. VI). Since September 1964 | | | HARNESSES Since September 1964 | | | | |
| 3.732 | Cable, 2 mm single core. | As nec. | DM 511-122 | Harness, front (arrangement without heater group, front). L.H. steering. | 1 | DS 511-25 | Harness for headlamp, horn and front direction indicator, left-hand. | 1 |
| 3.733 | Cable, 1.2 mm single core. | As nec. | DM511-122a | Front harness. L.H. steering. GERMANY. | 1 | DS 511-25a | Harness for headlamp and direction indicator, front, right-hand. | 1 |
| 921.552 | Cable, 40 mm for battery. | As nec. | DM511-122b | Front harness. R.H. steering. CONFORT. | 1 | DS 511-25b | Harness for headlamp, horns and direction indicators, front, left-hand. U.S.A. | 1 |
| | BATTERY CABLES Since September 1964 | | DM511-122c | Front harness (arrangement heater group, front). L.H. steering. CONFORT. | 1 | DS 511-25c | Harness for headlamp and direction indicator, front, right-hand. U.S.A. | 1 |
| DM 511-8e | Cable from battery negative terminal to earth on water pump, length 480 mm. | 1 | DM 511-36n | Rear harness. CONFORT. | 1 | DS 511-63a | Harness for earth of headlamp and direction indicator, front. | 2 |
| DS 524-01a | Solenoid, Gelbon, 12 volt for starter motor with positive cable (R. VI). | 1 | DM 511-36p | Rear harness (arrangement with heater group, rear). | 1 | DF 511-19 | Wire from coil to contact breaker, 450 mm long. | 1 |
| | | | | | | DS 511-22 | Harness for dynamo. | 1 |
| | | | | | | DW 511-55 | Harness for thermometer. Until November 1964. | 1 |

| NUMBER | DESCRIPTION | No. OFF | NUMBER | DESCRIPTION | No. OFF | NUMBER | DESCRIPTION | No. OFF |
|-----------|---|---------|------------|--|---------|-----------|---|---------|
| | ELECTRICAL EQUIPMENT | | | | | | | |
| A 512-5b | Sleeve, rubber, 3.5 x 6.5 x 20, for 4 mm socket (R. VI). | As nec. | DM 512-98 | Pipe, rubber, 15 x 25 x 480, for protection of rear harness on front pillar. | 1 | DM 523-6b | Support for 2 fuses, 80 x 38 x 28 (R. VI). | 1 |
| D 511-97 | Bush, split rubber, 4 x 16 x 20, for passage of front wiring through dashboard, right-hand. | 1 | | 12 VOLT FUSES U.S.A.—TAXI Until September 1960 | | DS 523-6 | Support for 6 fuses, 98 x 80 x 28 (R. VI). | 1 |
| D 511-98 | Bush, split rubber, 12.5 x 50 x 20, for passage of front wiring through dashboard, left-hand. | 1 | DM 523-4 | Fuse, 30 amps (R. VI). | 2 | | HORNS | |
| DS 511-95 | Bush, rubber, 3 x 19 x 45, for passage of wire for rear direction indicator light in body. | 2 | DS 523-99 | Rubber washer between fuse support (R. VI). | 1 | DM 571-1d | Horn "Ferson" for town use, 6 volts (R. VI). Until September 1960. | 1 |
| 722.458 | Junction block, 1 terminal (R. III). | 1 | DM 523-1 | <i>Support for fuse (R. VI). Replaced by DM 423-6b.</i> | 1 | DM 571-2 | Horn "Ferson" for country use, 6 volts (R. VI). Until September 1960. | 1 |
| 722.592 | Clip, Axo, positive for battery with screw (R. VI). | 1 | | ALL TYPES Since September 1960 ARRANGEMENT WITH 4 FUSES | | DM 571-3a | Horn "Ferson" for town use, 12 volts (R. VI). - U.S.A. Taxi. - All Types. Since September 1960. | 1 |
| 722.593 | Clip, Axo, negative for battery with screw (R. VI). | 1 | DM 523-4 | Fuse, 30 amps (R. VI). | 4 | DM 571-4 | Horn "Ferson" for country use, 12 volts (R. VI). - U.S.A. Taxi. - All Types. Since September 1960. | 1 |
| 614.541 | Plug 4 mm for wiring (R. VI). | As nec. | DM 523-99 | Rubber washer, 80 x 60 x 2, for fuse support (R. VI). | 1 | | ARRANGEMENT WITH 8 FUSES November 1962—September 1964 | |
| 614.542 | Plug 5 mm for wiring (R. VI). | As nec. | DM 523-6 | Support for fuse, 80 x 68 x 28 (R. VI). | 1 | DM 571-98 | Support plate for country use horn. | 2 |
| 614.543 | Plug 6 mm for wiring (R. VI). | As nec. | | ARRANGEMENT WITH 8 FUSES GERMANY—ITALY Since September 1964 | | 2.491-S | Nut, hex., 7 diameter x 100 pitch, for screw securing support plates (R. III). | 1 |
| 614.544 | Plug 8 mm for wiring (R. VI). | As nec. | DM 523-4 | Fuse, 30 amps (R. VI). | 8 | DM 571-99 | Bracket for horn. Until September 1962. | 1 |
| 711.472 | Plug 8.5 mm for battery cable (R. III). | 4 | DM 523-99a | Rubber washer, 98 x 80 x 2, for 6 fuses support (R. VI). | 1 | DS 571-97 | Bracket for town use horn. Since September 1962. | 1 |
| 710.022 | Nut, special, 5 diameter x 75 pitch for ebonite terminal. | 1 | DS 523-99 | Rubber washer, 80 x 38 x 2, for 2 fuses support (R. VI). | 1 | DS 571-99 | Bracket for country use horn. Since September 1962. | 1 |
| A 512-3b | Socket 4 mm diameter for wiring (R. VI). | As nec. | DM 523-6a | Support for 6 fuses, 98 x 80 x 28 (R. VI). | 1 | 484-S | Screw, hex. head, 7 diameter x 17.5 long, securing plate and brackets (R. III). | 3 |
| A 512-4a | Plug 4 mm diameter for wiring (R. VI). | As nec. | DM 523-6b | Support for 2 fuses, 80 x 38 x 28 (R. VI). | 1 | | | |
| DM 511-45 | Protector with plate for wiring in rear boot. | 1 | | ARRANGEMENT WITH 8 FUSES GERMANY—ITALY Since September 1964 | | | | |
| 722.429 | Washer for battery terminal (R. III). | 2 | DM 523-4 | Fuse, 30 amps (R. VI). | 8 | | | |
| | | | DM 523-99a | Rubber washer, 90 x 80 x 2, for carrying 6 fuses (R. VI). | 1 | | | |
| | | | DS 523-99 | Rubber washer, 80 x 38 x 2, for carrying 6 fuses. | 1 | | | |

254—ACCESSORIES

| NUMBER | DESCRIPTION | No. OFF | NUMBER | DESCRIPTION | No. OFF | NUMBER | DESCRIPTION | No. OFF |
|-----------|---|---------|-----------|--|---------|------------|---|---------|
| | RADIO Since November 1962 | | | | | | | |
| 619.809 | Clip retaining loud speaker lead (R. VI). | 4 | 2.269-S | Nut, hex., 4 diameter x 75 pitch, for screw securing loud speaker (R. VI). | 4 | DW 653-0a | Radio only (R. VI). Since September 1964. | 1 |
| DW 653-01 | "Ara" aerial (R. VI). | 1 | DW 653-47 | Surround for loud speaker grille (R. VI). | 1 | DM 653-0a | <i>Radio only (R. VI). Until September 1964. No longer supplied.</i> | 1 |
| DM 653-82 | Rubber buffer, 45 x 25 x 12, retaining radio (R. VI). Until September 1964. | 1 | DM 653-05 | <i>Radio assembly comprising: aerial, loud speaker and fixing (R. VI). Until September 1964. No longer supplied.</i> | 1 | DW 653-57 | Protector (cloth) for loud speaker. | 1 |
| DW 653-69 | Aerial cover (R. VI). | 1 | DW 653-05 | Radio assembly comprising: aerial, loud speaker and fixing (R. VI). Since September 1964. | 1 | DW 653-59 | <i>Protector for co-axial aerial on front pillar (R. VI). Until January 1963. Replaced by DW 653-59a.</i> | 1 |
| DW 653-1 | "Ara" suppression condenser on coil and dynamo regulator (R. VI). | 2 | DW 653-58 | Distance piece, 6 x 15, for screw securing loud speaker (R. VI). | 4 | DW 653-59a | Protector (shaped), for co-axial aerial on front pillar (R. VI). Since January 1963. | 1 |
| 2.320-S | Nut, hex., 5 diameter x 75 pitch, securing condenser on coil (R. III). | 1 | DW 653-60 | Lead for loud speaker (R. VI). | 1 | 2.262-S | Washer, 4.25 x 10 for screw (R. III) securing: - loud speaker. - securing radio. | 4 6 |
| 615.747 | Nut clip for screw securing loud speaker (R. VI). | 4 | DW 653-55 | Protection grille, for loud speaker (R. VI). | 1 | 2.281-S | Screw, raised head, countersunk, 4 diameter x 25 long, securing loud speaker (R. VI). | 4 |
| | | | DW 653-10 | AUDAX, loud speaker (R. VI). | 1 | 2.756-S | Screw, round head, 3.5 x 9.5 (R. VI) securing: - earth lead for radio. - radio on dashboard. | 1 4 |
| | | | DW 653-56 | Joint, (cardboard), for sound proofing between grille and surround for loud speaker (R. VI). | 1 | 2.263-S | Screw, round head, 3.5 x 15.5, securing support plate for radio (R. VI). | 2 |
| | | | DM 653-51 | Support plate for radio (R. VI). Until September 1964. | 1 | | | |

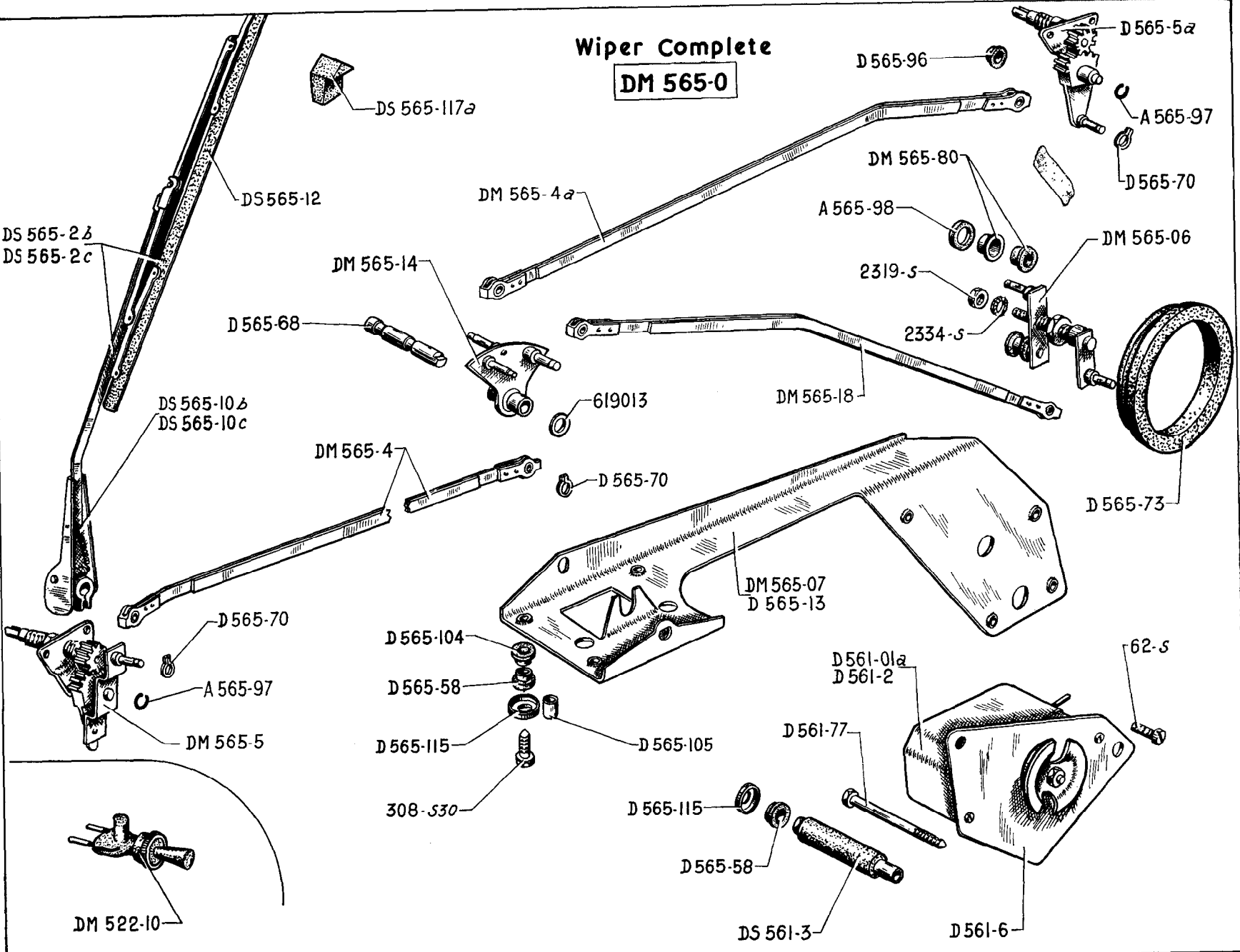
| NUMBER | DESCRIPTION | No. OFF | NUMBER | DESCRIPTION | No. OFF | NUMBER | DESCRIPTION | No. OFF |
|-----------|---|---------|------------|--|---------|------------|--|---------|
| | Since June 1965 | | | | | | | |
| 619.809 | Clip securing lead to loudspeaker (R. VI). | 4 | DW 653-47 | Surround for loudspeaker grille, rear. | 1 | DW 653-59a | Protector, (profiled) for inserting aerial on front pillar (R. VI). | 1 |
| DW 653-01 | "Ara" aerial (R. VI). | 1 | DS 653-012 | Assembly comprising radio, aerial, loudspeaker and securing parts (R. VI). | 1 | 2.262-S | Washer, 4.25 x 10 for screws securing loudspeaker. | 4 |
| DS 653-83 | Rubber bush, 9 x 14.5 x 7 securing grille and front loudspeaker bracket (R. VI). | 2 | DW 653-58 | Distance piece, 6 x 15, for screws securing rear loudspeaker (R. VI). | 4 | 619.133 | Washer, 5.25 x 15 x 1.5 for screws securing loudspeaker and grille on front finishing panel. | 2 |
| DW 653-69 | Aerial cover (R. VI). | 1 | DW 653-60 | Lead for rear loudspeaker (R. VI). | 1 | DS 653-11 | Support for front loudspeaker (R. VI). | 1 |
| DS 653-45 | Mixing switch (R. VI). | 1 | DS 653-55 | Grille for front loudspeaker (R. VI). | 1 | DS 653-99 | Earth woven lead (connecting bonnet to body). 2 holes 7.5 at 350 mm centres (R. VI). | 1 |
| DS 653-1 | Condenser on coil (R. VI). (Suppression). | 1 | DW 653-55 | Protection grille for rear loudspeaker (R. VI). | 1 | 2.281-S | Screw, raised head countersunk, 4 x 25 for securing rear loudspeaker (R. VI). | 4 |
| DS 653-1a | Condenser for dynamo regulator (R. VI). | 1 | DS 653-10 | Loudspeaker, front (R. VI). | 1 | 2.756-S | Screw, round head, 3.5 x 9.5, securing earth lead (R. VI). | 1 |
| 2.320-S | Nut, hex., 5 x 75, securing condenser on coil. | 1 | DX 653-10 | Loudspeaker, rear (R. VI). | 1 | 2.242-S | Screw, round head, 4 x 10, securing front loudspeaker to support. | 4 |
| 615.747 | Nut clips for screws securing rear loudspeaker (R. VI). | 4 | DW 653-56 | Joint, sound deadening, (cardboard) between grille and loudspeaker surround (R. VI). | 1 | 2.741-S | Screw, 4.85 x 9.5 securing loudspeaker and grille on trimming panel, front (R. VI). | 2 |
| 2.269-S | Nut, hex., 4 x 75, for screws securing:- - front loudspeaker. - rear loudspeaker. | 4 4 | DW 653-57 | Protector cloth for rear loudspeaker. | 1 | | | |

NOTE: - The assembly is supplied without facia panel, grille for front loudspeaker, or distributor or rotor.

| NUMBER | DESCRIPTION | No. OFF | NUMBER | DESCRIPTION | No. OFF | NUMBER | DESCRIPTION | No. OFF |
|------------|--|---------|------------|---|---------|-----------|--|---------|
| | SUN VISOR | | | | | | | |
| DS 554-83 | Hinge pin, not threaded. Until November 1963. Replaced by DS 554-83b. | 2 | D 554-91 | Friction bearing, 18 mm long, on hinge pin (R. VI). | 4 | 2.746-S | Screw, round head, P.K. 4.85 x 16, securing sun visor (R. VI). | 6 |
| DS 554-83b | Hinge pin, not threaded. Since November 1963. | 2 | DM 554-01 | Sun visor, left-hand, without mirror complete. Left-hand steering. Until November 1963. Replaced by DS 554-01h. | 1 | | REAR VIEW MIRROR | |
| D 554-90 | Plug, rubber (R. VI). | 2 | DM 554-01a | Sun visor, right-hand, without mirror complete. Right-hand steering. Until November 1963. Replaced by DS 554-01s. | 1 | DM 551-92 | Rubber support for sun visor (R. VI). U.S.A. and CABRIOLET. Since September 1964. | 1 |
| DM 554-1 | Screen (without mirror). - Right side Right-hand steering - Left side. Left-hand steering. Until November 1963. Replaced by D 554-1. | 1 1 | DM 554-01d | Sun visor, left-hand, complete with mirror. Right-hand steering. Until November 1963. Replaced by DS 554-01r. | 1 | DM 551-80 | Base piece, 7.25 x 16 x 4, for rear view mirror bracket. U.S.A. Until September 1964. | 1 |
| DM 554-1a | Screen (with mirror), right side. Left-hand steering. Until November 1963. Replaced by DS 554-1a. | 1 | DM 554-01c | Sun visor, right-hand, complete with mirror. Left-hand steering. Until November 1963. Replaced by DS 554-01j. | 1 | DM 551-3a | Rear view mirror complete (R. VI). Except U.S.A. Until September 1962. | 1 |
| DM 554-1b | Screen for sun visor, with mirror, left side. Right-hand steering. Until November 1963. Replaced by DS 554-1e. | 1 | DS 554-01h | Sun visor, left-hand complete, without mirror. Left-hand steering. Since November 1963. | 1 | DM 551-3c | Rear view mirror complete (R. VI). Except U.S.A. September 1962 - September 1964. | 1 |
| D 554-1 | Screen for sun visor without mirror: - right-hand side. Right-hand steering. - left-hand side. Left-hand steering. Since November 1963. | 1 1 | DS 554-01j | Sun visor, right-hand, complete, with mirror. Left-hand steering. Since November 1963. | 1 | DM 551-3g | Sun visor, complete (R. VI). U.S.A. and CABRIOLET. Since September 1964. Replaced by DM 551-3h. | 1 |
| DS 554-1a | Screen for sun visor with mirror, right-hand side. Left-hand steering. Since November 1963. | 1 | DS 554-01s | Sun visor, right-hand, complete, without mirror. Right-hand steering. Since November 1963. | 1 | DM 551-3e | Sun visor, complete (R. VI). Except U.S.A. Since September 1964. | 1 |
| DS 554-1e | Screen for sun visor, with mirror, left-hand side. Right-hand steering. Since November 1963. | 1 | DS 554-01r | Sun visor, left-hand, complete, with mirror. Right-hand steering. Since November 1963. | 1 | DM 551-3h | Sun visor, complete (R. VI). U.S.A. and CABRIOLET. Since September 1964. | 1 |
| 2.494-S | Nut, hex., castellated, 7 diameter x 100 pitch, for tightening hinge pin on bracket. | 2 | 619.037 | Washer, 7.5 x 21 x 0.5, for friction of hinge pin on bracket. | 4 | DM 551-82 | Bracket for rear view mirror. U.S.A. Until September 1964. | 1 |
| 615.713 | Nut clip for 4.85 mm diameter screw securing sun visor (R. VI). | 6 | 619.056 | Washer, 7.5 x 21 x 0.8, for hinge pin on bracket (R. VI). | 2 | 2.659 | Screw, hex. head, 5 diameter x 13 long, securing rear view mirror. U.S.A. Until September 1964. Replaced by 283-S. | 1 |
| D 554-96 | Friction sleeve on hinge pin (R. VI). | 2 | DS 554-97 | Bracket only, left-hand. | 1 | | | |
| | | | DS 554-97a | Bracket only, right-hand. | 1 | | | |

Wiper Complete

DM 565-0



256-SEV WINDSCREEN WIPER 6 VOLTS AND 12 VOLTS

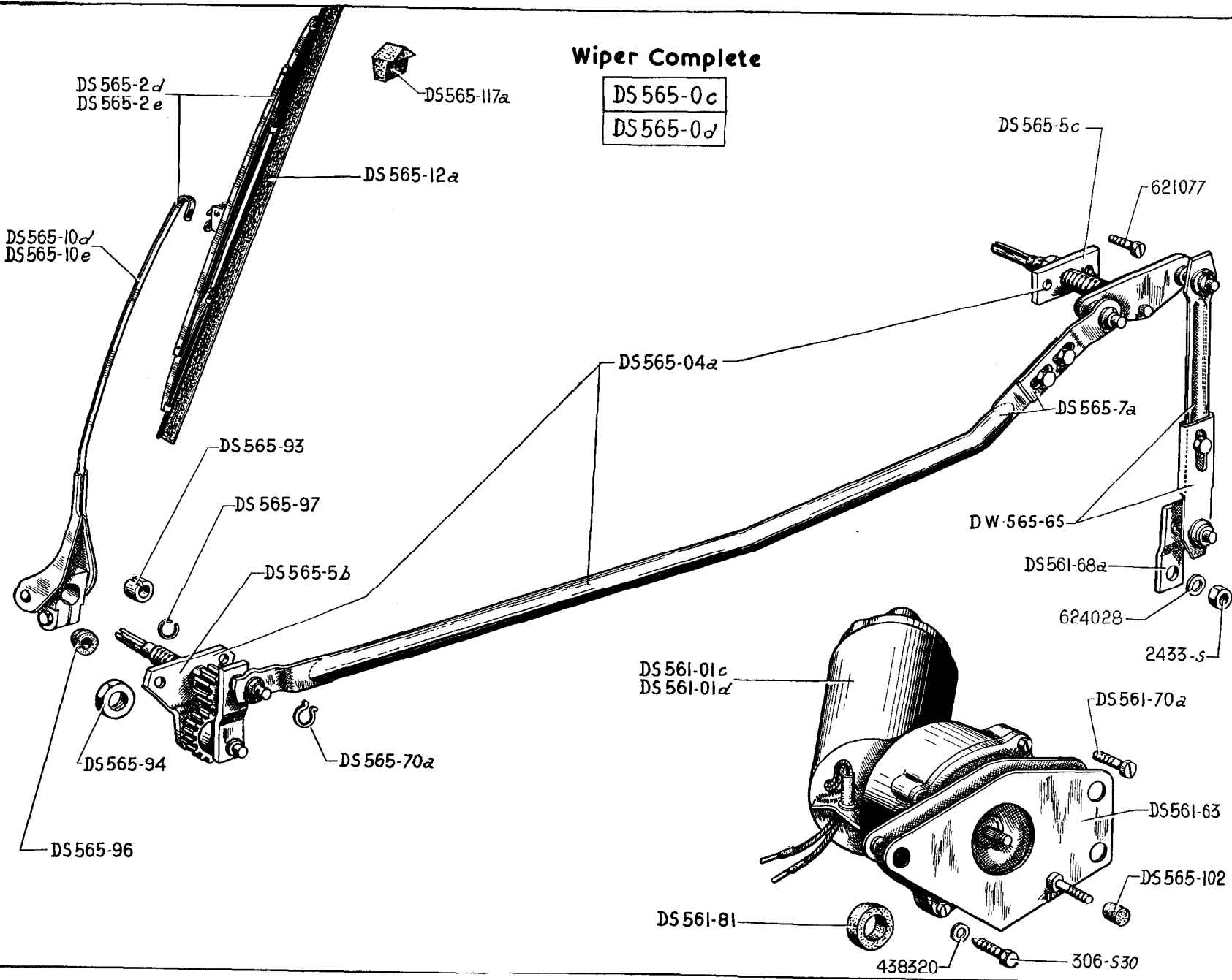
| NUMBER | DESCRIPTION | No. OFF | NUMBER | DESCRIPTION | No. OFF | NUMBER | DESCRIPTION | No. OFF |
|-----------------------|--|---------|------------|---|---------|-------------|---|---------|
| Until May 1960 | | | | | | | | |
| A 565-97 | Circlip on pivot pin of wiper arm driving sector (R. VI). | 2 | DM 565-4 | Link rod, operating wiper arm, 526.5 mm between centres (R. VI). | 1 | DM 565-80 | Flexible bush on crankshaft driving dog (R. VI). | 2 |
| A 565-98 | Washer, 4.2 x 7 x 0.5, for flexible sleeve on driving pins (R. VI). | 2 | DM 565-4a | Link rod, operating wiper arm, right-hand, 342 mm between centres (R. VI). | 1 | D 565-96 | Sealing cap on wiper arm pivot pin (R. VI). | 2 |
| DM 522-10 | <i>Switch on instrument panel (R. VI). Replaced by DM 522-10b.</i> | 1 | DM 565-5 | Bracket for wiper arm pivot pin, left-hand (R. VI). | 1 | D 565-104 | Rubber bush, 8 x 20 x 8 on bracket. | 8 |
| D 561-01a | Motor, 12 volts (R. VI). U. S. A. TAXI. | 1 | D 565-5a | Bracket for wiper arm pivot pin, right-hand (R. VI). | 1 | D 565-105 | Distance tubes, 7 x 8 x 12.5, for bush on bracket (R. VI). | 5 |
| D 561-2 | Motor, 6 volts (R. VI). | 1 | DS 565-10b | Wiper arm, left-hand (R. VI). | 1 | D 565-115 | Cup washer for rubber bush on mounting plate and bracket for motor (R. VI). | 5 |
| DS 561-3 | <i>Rubber tube, 8 x 20 x 47.5, with distance piece for screw securing motor (R. VI). No longer supplied.</i> | 3 | DS 565-10c | Wiper arm, right-hand (R. VI). | 1 | DS 565-117a | Stop for wiper arm. | 2 |
| D 561-6 | Mounting plate for motor (R. VI). | 1 | DS 565-12 | Wiper blade (R. VI). | 2 | 62-S | <i>Screw, round head, 4 diameter x 7.5 long (R. III) securing: - crank arm. - motor on mounting plate. Replaced by 2.241-S.</i> | 1 2 |
| D 561-77 | Screw, hex. head, 6 diameter x 62 long, securing motor. | 3 | D 565-13 | <i>Bracket for windscreen wiper operating mechanism (R. VI). No longer supplied.</i> | 1 | 308-S 30 | Screw, hex. head, pointed, 6 diameter x 25 long, securing bracket (R. VI). | 5 |
| DM 565-0 | <i>Windscreen wiper complete, 6 volts (R. VI). No longer supplied.</i> | 1 | DM 565-14 | Pivot plate (R. VI). | 1 | 2.319-S | Nut, hex., 5 diameter x 75 pitch, locking driving dog plate on crankshaft (R. III). | 1 |
| DM 565-06 | Crankshaft assembly operating driving rods with bearing (R. VI). <i>No longer supplied.</i> | 1 | DM 565-18 | Control rod (R. VI). | 1 | 2.334-S | Washer, shakeproof, 5.2 x 9.4, under nut locking driving dog plate on crankshaft (R. VI). | 1 |
| DM 565-07 | <i>Operating links with wiper arms (without motor) (R. VI).</i> | 1 | D 565-58 | Rubber bush, shouldered, 12 x 20 x 17 x 6, for screw securing motor on scuttle (R. VI). | 8 | 619.013 | Washer on pin for pivoting plate (R. VI). | 4 |
| DS 565-2b | Wiper arm complete, left-hand (R. VI). | 1 | D 565-68 | Pin for pivoting plate, 68 mm long (R. VI). | 1 | | | |
| DS 565-2c | Wiper arm complete, right-hand (R. VI). | 1 | D 565-70 | <i>Clip, retaining flexible bushes on twin driving dogs on crankshaft (R. VI). Replaced by AZ 565-70.</i> | 2 | | | |
| | | | D 565-73 | Rubber sealing ring, 50 x 70 x 8 on bracket. | 1 | | | |

SEV WINDSCREEN WIPER 6 VOLTS AND 12 VOLTS-259

| NUMBER | DESCRIPTION | No. OFF | NUMBER | DESCRIPTION | No. OFF | NUMBER | DESCRIPTION | No. OFF |
|-----------|--|---------|-----------|--|---------|-------------|--|---------|
| | May 1960—February 1961 P.O. Until September 1960 | | | | | | | |
| DS 561-2 | <i>Motor, 6 volts (R. VI). Until September 1960. No longer supplied.</i> | 1 | DS 561-69 | Washer, rubber, securing motor (R. VI). | 3 | DS 565-10b | Wiper arm (without blade), left-hand (R. VI). | 1 |
| DS 561-2a | Motor, 12 volts (R. VI). | 1 | DS 561-70 | <i>Screw, square head, 5 diameter x 20 long, securing motor support (R. VI). No longer supplied.</i> | 3 | DS 565-10c | Wiper arm (without blade), right-hand (R. VI). | 1 |
| DS 561-6 | Mounting plate securing motor (R. VI). | 1 | DS 561-71 | <i>Retainer for motor fixing (R. VI). No longer supplied.</i> | 1 | DS 565-12 | Wiper blade (R. VI). | 2 |
| DS 561-7 | Bracket for motor (R. VI). | 1 | DS 561-76 | <i>Nut, shouldered, 5 mm diameter for screw securing motor support (R. VI). No longer supplied.</i> | 3 | DS 565-18 | Control rod (R. VI). | 1 |
| DS 561-8 | Rubber block securing motor (R. VI). | 3 | DS 561-77 | Screw, hex. head, assembling link rods (R. VI). | 2 | DS 565-23 | Link rod assembly (R. VI). | 1 |
| DS 561-51 | Rubber drive connecting motor to control (R. VI). | 1 | DS 561-80 | Washer, cupped, for screw securing motor support (R. VI). | 3 | DS 565-66 | <i>Link rod, left-hand (R. VI). No longer supplied.</i> | 1 |
| DS 561-65 | <i>Rubber joint between motor and body (R. VI). No longer supplied.</i> | 1 | DS 565-0 | <i>Windscreen wiper complete, 6 volts (R. VI). Until September 1960. No longer supplied.</i> | 1 | DS 565-66a | Link rod, right-hand (R. VI). | 1 |
| DS 561-66 | Studs securing motor (R. VI). | 3 | DS 565-0a | <i>Windscreen wiper complete, 12 volts (R. VI). No longer supplied.</i> | 1 | DS 565-67 | Yoke for screws securing link rods (R. VI). | 2 |
| DS 561-67 | Driving plate with pin, crank side (R. VI). | 1 | DS 565-2b | Wiper arm complete, left-hand (R. VI). | 1 | DS 565-70 | Clip retaining link rods (R. VI). | 4 |
| DS 561-68 | Driving plate, motor side (R. VI). | 1 | DS 565-2c | Wiper arm complete, right-hand (R. VI). | 1 | DS 565-89 | <i>Backplate assembling link rods, 2 holes tapped 6 mm diameter (R. VI). No longer supplied.</i> | 2 |
| | | | DS 565-5 | Bracket for arm spindle, left-hand (R. VI). | 1 | D 565-96 | Sealing caps for arms spindle (R. VI). | 2 |
| | | | DS 565-5a | Bracket for arm spindle, right-hand (R. VI). | 1 | DS 565-113 | Control crank with pin (R. VI). | 1 |
| | | | | | | DS 565-117a | Stop for wiper arm. | 2 |

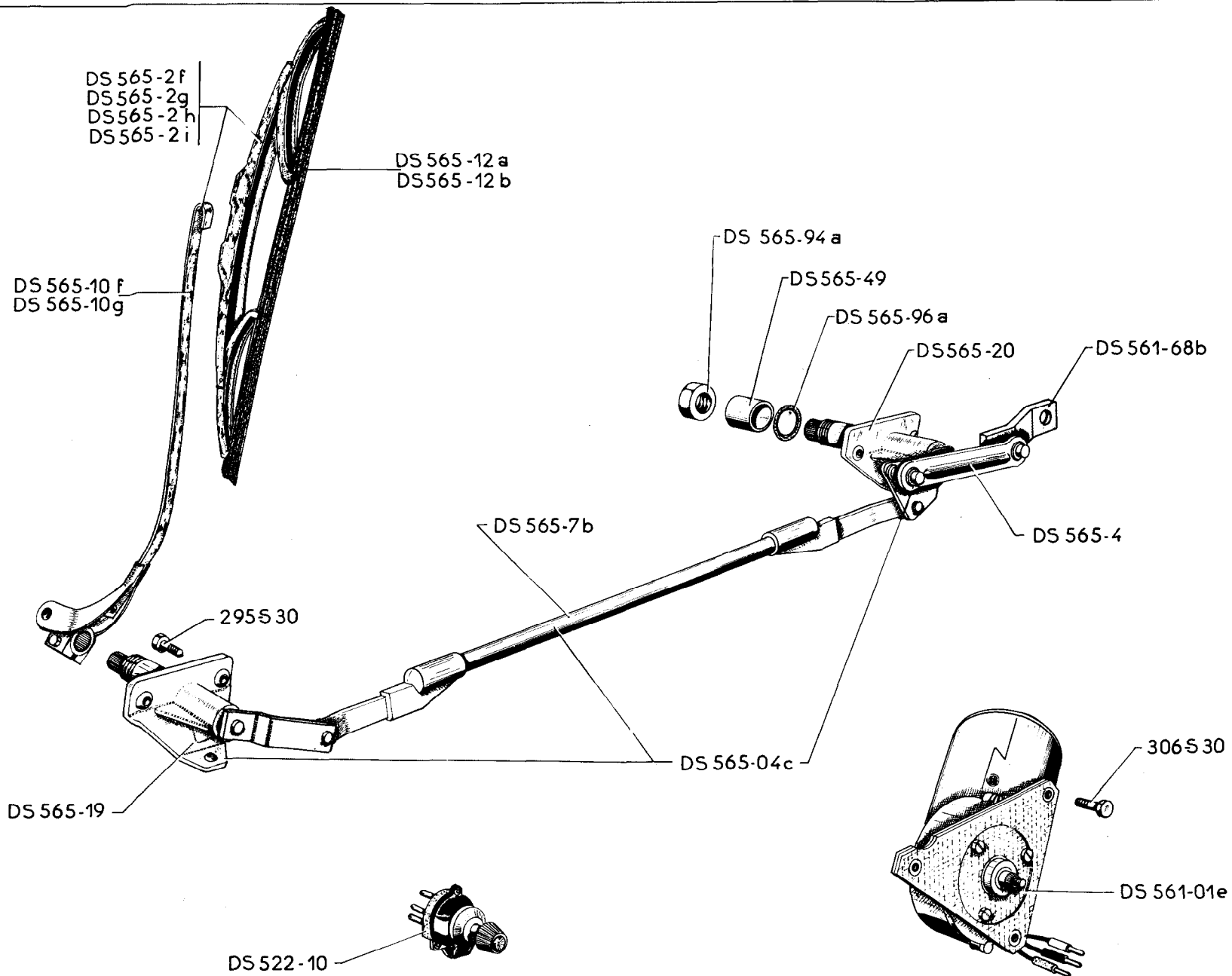
Wiper Complete

| |
|-----------|
| DS 565-0c |
| DS 565-0d |



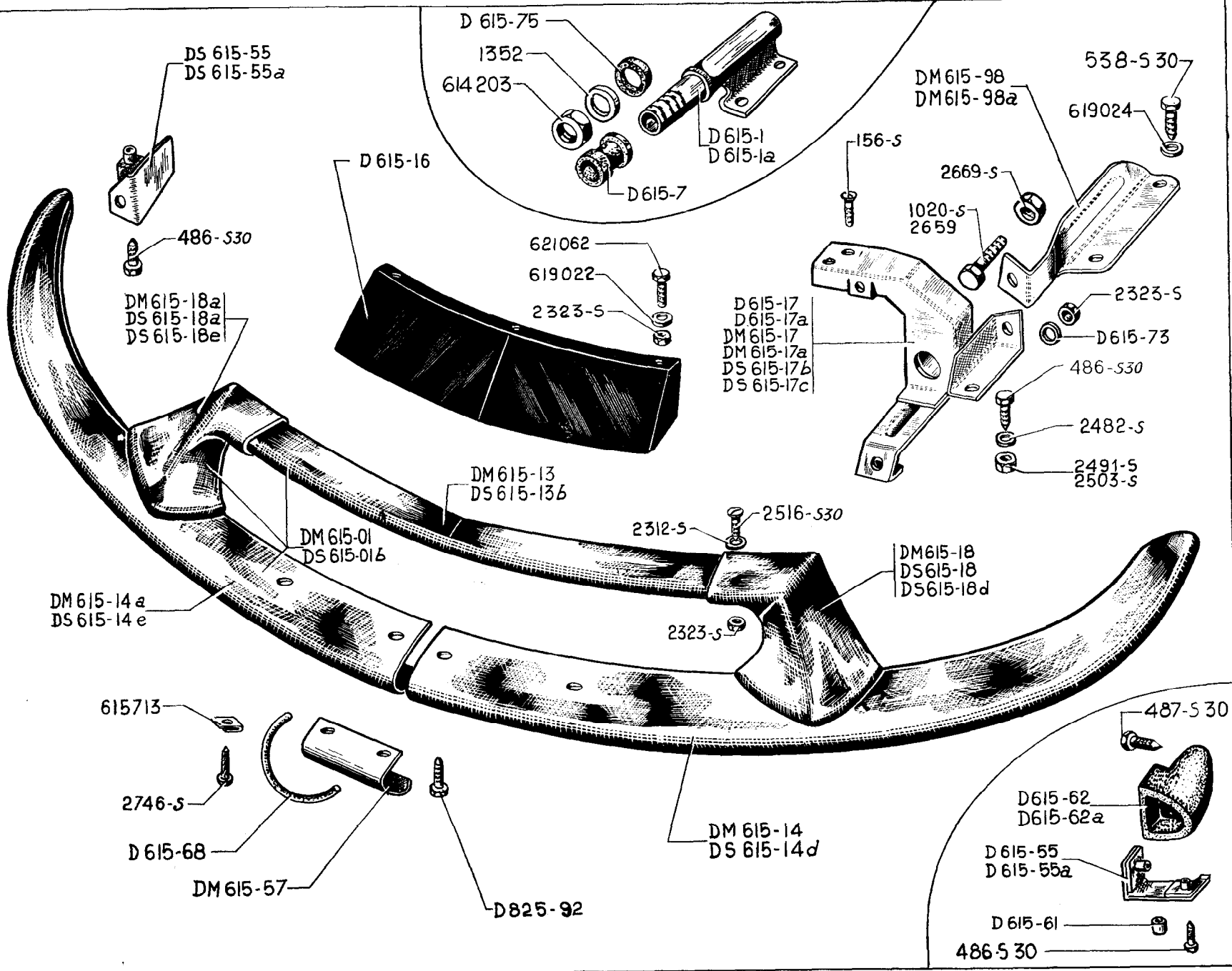
260-BOSCH WINDSCREEN WIPER 12 VOLTS

| NUMBER | DESCRIPTION | No. OFF | NUMBER | DESCRIPTION | No. OFF | NUMBER | DESCRIPTION | No. OFF |
|------------|--|---------|------------|---|---------|-------------|--|---------|
| | EXPORT | | | | | | | |
| | September 1960—September 1964 | | | | | | | |
| | ALL TYPES | | | | | | | |
| | February 1961—September 1964 | | | | | | | |
| DS 561-01c | Motor, 12 volts (R. VI). Until August 1961. | 1 | DS 565-2e | <i>Wiper arm complete, right-hand (R. VI). Replaced by DS 565-10e; order in addition: 1-DS 565-12a.</i> | 1 | DS 565-96 | Cap, rubber, sealing arm spindle (R. VI). | 2 |
| DS 561-01d | Motor, 12 volts, with automatic stop (R. VI). Since August 1961. | 1 | DS 565-5b | Support for arm spindle, left-hand (R. VI). | 1 | DS 565-97 | Locking circlip on arm spindle (R. VI). | 2 |
| DS 561-63 | Backplate with screws for securing motor (R. VI). | 1 | DS 565-5c | Support for arm spindle, right-hand (R. VI). | 1 | DS 565-102 | Stop, rubber, for glove box on backplate screw (R. VI). | 1 |
| DS 561-68a | Control crank (R. VI). | 1 | DS 565-7a | Connecting rod assembled with end piece, 900 mm long (R. VI). | 1 | DS 565-117a | Stop for wiper arm. | 2 |
| DS 561-70a | Screw, flat head, securing motor on support (R. VI). | 3 | DS 565-10d | Wiper arm without blade, left-hand (R. VI). | 1 | 306-S 30 | Screw, hex. head, 6 diameter x 20 long, securing motor on body (R. III). | 3 |
| DS 561-81 | Sealing washer, rubber, between motor and support (R. VI). | 1 | DS 565-10e | Wiper arm without blade, right-hand (R. VI). | 1 | 2.433-S | Nut, hex., 6 diameter x 100 pitch, securing motor on cranked control (R. III). | 1 |
| DS 565-0c | Windscreen wiper complete, 12 volts (R. VI). Until August 1961. | 1 | DS 565-12a | Wiper blade (R. VI). | 2 | 438.320 | Washer, 6.5 x 20 x 1.8, for screw securing motor on body (R. II). | 3 |
| DS 565-0d | <i>Windscreen wiper complete, 12 volts (motor with automatic stop) (R. VI). Since August 1961. No longer supplied.</i> | 1 | DW 565-65 | Control rod with end piece (R. VI). | 1 | 621.077 | Screw, hex. head, 4 diameter x 10 long, securing support for arm spindle on body (R. III). | 4 |
| DS 565-04a | Linkage complete without arms (R. VI). | 1 | DS 565-70a | Circlips retaining rods on arm spindles (R. VI). | 5 | 624.028 | Flexible washer, 6.4 x 12 x 0.5, for nut assembling motor on crank control (R. III). | 1 |
| DS 565-2d | <i>Wiper arm complete, left-hand (R. VI). Replaced by: DS 565-10d; order in addition 1-DS 565-12a.</i> | 1 | DS 565-93 | Bush, split, locking arms on spindles (R. VI). | 2 | | | |
| | | | DS 565-94 | Nut, hex., securing spindle for arm on body (R. VI). | 2 | | | |



WINDSCREEN WIPER 12 VOLTS-261

| NUMBER | DESCRIPTION | No. OFF | NUMBER | DESCRIPTION | No. OFF | NUMBER | DESCRIPTION | No. OFF |
|------------|--|---------|------------|---|---------|------------|---|---------|
| | Since September 1964 | | | | | | | |
| DS 522-10 | Switch (R. VI). | 1 | DS 565-2i | Wiper arm complete, Bosch, right-hand (R. VI). Right-hand steering. | 1 | DS 565-20 | Support for spindle of arm, right-hand (R. VI). | 1 |
| DS 561-01e | 12 volt motor, Bosch (R. VI). | 1 | DS 565-4 | Control rod (R. VI). | 1 | DS 565-49 | Distance piece between arm spindles, internal diameter 16.5, external diameter 24 mm (R. VI). | 2 |
| DS 561-68b | Control arm (R. VI). | 1 | DS 565-7b | Link rod (R. VI). | 1 | DS 565-94a | Nut, hex., 16 x 100, for securing the blade spindles (R. VI). | 2 |
| DS 565-04c | Mechanism without motor or arms (R. VI). | 1 | DS 565-10f | Wiper arm, right and left-hand without blade, Bosch (R. VI). Left-hand steering. | 2 | DS 565-96a | Joint, rubber, sealing under distance piece of arm spindles (R. VI). | 2 |
| DS 565-2f | Wiper arm complete, Bosch, left-hand (R. VI). Left-hand steering. | 1 | DS 565-10g | Wiper arm, right and left-hand without blade, Bosch (R. VI). Right-hand steering. | 2 | 295-S 30 | Screw, hex. head, 5 x 16, pointed, for securing support of spindle on body (R. III). | 6 |
| DS 565-2g | Wiper arm complete, Bosch, right-hand (R. VI). Left-hand steering. | 1 | DS 565-12a | Blade, Bosch, right-hand (R. VI). | 1 | 306-S 30 | Screw, hex. head, 6 x 20, for securing motor on body (R. III). | 2 |
| DS 565-2h | Wiper arm complete, Bosch, left-hand (R. VI). Right-hand steering. | 1 | DS 565-12b | Blade, Bosch, left-hand (R. VI). | 1 | | | |
| | | | DS 565-19 | Support for spindle of arm, left-hand (R. VI). | 1 | | | |



| NUMBER | DESCRIPTION | No. OFF | NUMBER | DESCRIPTION | No. OFF | NUMBER | DESCRIPTION | No. OFF |
|------------|---|---------|------------|--|---------|------------|--|---------|
| | Until September 1962 | | | | | | | |
| DM 615-01 | Front bumper complete. Left-hand steering. | 1 | D 615-17 | Bracket, adjustable, left-hand, with bush for rubber stop. Until September 1958. | 1 | D 615-55a | Fitting for securing rubber block, right-hand. Until September 1958. | 1 |
| DS 615-01b | Front bumper complete. U.S.A. Right-hand steering. | 1 | D 615-17a | Bracket, adjustable, right-hand, with bush for rubber stop. Until September 1958. | 1 | DS 615-55 | Bracket, sheet steel, for securing left-hand end of bumper. Since September 1958. | 1 |
| D 615-1 | Fixed bracket, left-hand, with threaded pin 20 diameter x 100 pitch. Until September 1958. | 1 | DM 615-17 | Bracket, left-hand, without bush rubber stop. Since September 1958. | 1 | DS 615-55a | Bracket, sheet metal, for securing right-hand end of bumper. Since September 1958. | 1 |
| D 615-1a | Fixed bracket, right-hand, with threaded pin 20 diameter x 100 pitch. Until September 1958. | 1 | DM 615-17a | Bracket, right-hand, without bush for rubber stop. Since September 1958. | 1 | DM 615-57 | Connecting piece for assembling lower half of bumpers. | 1 |
| D 615-7 | Rubber stop. Until September 1958. | 2 | DS 615-17b | Bracket, left-hand. U.S.A. Right-hand steering. Since November 1961. | 1 | D 615-61 | Distance piece, 7.5 x 9.5 x 8, for screw securing rubber block. Until September 1958. | 4 |
| DM 615-13 | Bumper bar, upper, without end piece. Left-hand steering. | 1 | DS 615-17c | Bracket, right-hand. U.S.A. Right-hand steering. Since November 1961. | 1 | D 615-62 | Rubber block for extreme left-hand end of bumper. Until September 1958. | 1 |
| DS 615-13b | Bumper bar, front upper. U.S.A. Right-hand steering. | 1 | DM 615-18 | End bracket, left-hand. Left-hand steering. | 1 | D 615-62a | Rubber block for extreme right-hand end of bumper. Until September 1958. | 1 |
| DM 615-14 | Half bumper bar, lower, left-hand. Left-hand steering. | 1 | DM 615-18a | End bracket, right-hand. Left-hand steering. | 1 | D 615-68 | Rubber beading for connecting front lower half bumpers. | 1 |
| DM 615-14a | Half bumper bar, lower, right-hand. Left-hand steering. | 1 | DS 615-18 | <i>End bracket, left-hand. U.S.A. Right-hand steering. Until November 1961. Replaced by DM 615-18.</i> | 1 | D 615-73 | Rubber washer, 5 x 14 x 2, for end bracket of upper bumper bar. | 4 |
| DS 615-14d | Half bumper bar, front left-hand. U.S.A. Right-hand steering. | 1 | DS 615-18a | <i>End bracket, right-hand. U.S.A. Right-hand steering. Until November 1961. Replaced by DM 615-18a.</i> | 1 | D 615-75 | Rubber washer, 20 x 30 x 6, on fixed bracket for mounting bumper. Until September 1958. | 2 |
| DS 615-14e | Half bumper bar, front right-hand. U.S.A. Right-hand steering. | 1 | DS 615-18d | End bracket, left-hand (R. VI). U.S.A. Right-hand steering. Since November 1961. | 1 | DM 615-98 | Bracket, left-hand, without pin on body. Since September 1958. | 1 |
| D 615-16 | Registration number plate. | 1 | DS 615-18e | End bracket, right-hand (R. VI). U.S.A. Right-hand steering. Since November 1961. | 1 | DM 615-98a | Bracket, right-hand, without pin on body. Since September 1958. | 1 |
| | | | D 615-55 | Fitting for securing rubber block, left-hand. Until September 1958. | 1 | D 825-92 | Screw, round head, 7 diameter x 20 long, for assembling lower half bumpers (R. VI). | 2 |
| | | | | | | 156-S | <i>Screw, countersunk head, 5 x 17.5 for securing upper bumpers on bracket (R. VI). Replaced by 2.265-S.</i> | 4 |

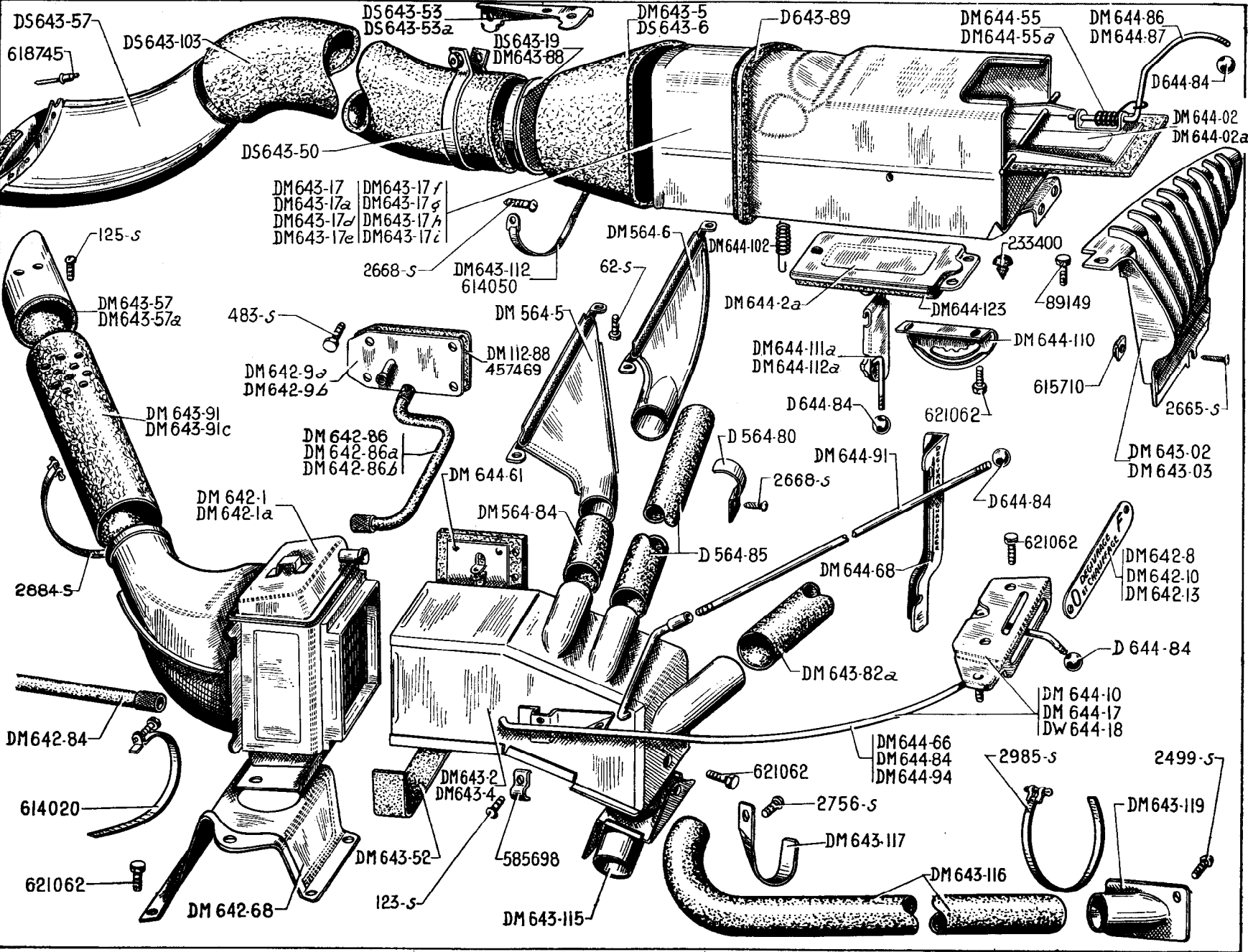
264—FRONT BUMPERS

| NUMBER | DESCRIPTION | No. OFF | NUMBER | DESCRIPTION | No. OFF | NUMBER | DESCRIPTION | No. OFF |
|----------|--|-------------|------------|---|-------------|---------|--|---------|
| 486-S 30 | Screw, hex. head, pointed, 7 x 22.5 for assembling: - half bumpers, lower. - half bumpers, lower on adjustable bracket. - sheet steel bracket, extreme left and right-hand. | 2 4 4 | 2.323-S | Nut, hex., 5 x 75, for screws securing: - end piece on upper bumpers. - upper bumpers and registration plate. - upper bumpers on adjustable bracket. | 2 3 4 | 2.669-S | Nut, hex., 12 x 175, for screws supporting brackets on body and supports on bumpers. Since September 1958. | 2 |
| 487-S 30 | Screw, hex. head, pointed, 7 x 25, for securing rubber block on body. Until September 1958. | 2 | 2.482-S | Washer, plain, 7.5 x 14 for nuts securing lower bumpers on adjustable bracket. | 4 | 2.746-S | Screw, round head, P.K. cruciform, 4.85 x 16, for securing distance piece on lower bumpers (R. VI). | 4 |
| 538-S 30 | Screw, hex. head, pointed, 9 x 22, for securing bumpers on body. | 4 | 2.491-S | Nut, hex., 7 x 100, for screws securing lower bumpers on adjustable bracket. | 2 | 614.203 | Nut, hex., 20 x 100 for securing fixed bumper bracket. Until September 1958. | 2 |
| 1.020-S | Screw, hex. head, 12 x 22, for securing brackets on body to bumper bracket. | 2 | 2.503-S | Nut, hex., 7 x 100, for securing the screws: - lower half bumper assembly. - lower half bumpers on adjustable bracket. | 2 4 | 615.713 | Nut clips for screws, 4.85 diameter for securing distance piece on lower bumpers (R. VI). | 4 |
| 1.352 | Washer, 20.5 x 30 x 1.5 for fixed bumper support. Until September 1958. | 2 | 2.516-S 30 | Screw, raised head countersunk, 5 x 16, cruciform, securing end piece on upper bumpers (R. VI). | 2 | 619.022 | Washer, plain, 5.5 x 14 x 1, for screws securing: - upper bumpers and registration plate. - upper bumpers on adjustable bracket. | 3 4 |
| 2.312-S | Washer, plain, 5.5 x 9 for screws securing end piece. | 4 | 2.659 | <i>Screw, hex. head, 5 x 13, for securing end piece. Replaced by 283-S.</i> | 4 | 619.024 | Washer, plain, 10 x 20 for screws securing bumpers on body. | 4 |
| | | | | | | 621.062 | <i>Screw, hex. head, 5 x 14, for securing upper bumpers and registration plate. Replaced by 283-S 30.</i> | 3 |

| NUMBER | DESCRIPTION | No. OFF | NUMBER | DESCRIPTION | No. OFF | NUMBER | DESCRIPTION | No. OFF |
|------------|---|---------|------------|--|---------|---------|--|------------------|
| | ALL TYPES Since September 1962 | | | | | | | |
| DS 615-01c | Bumper, front, complete. Left-hand steering. | 1 | DS 615-47a | Stop, rubber, right-hand (R. VI). Replaced by DX 615-47a. | 1 | 2.323-S | Nut, hex., 5 diameter x 75 pitch | |
| DM 615-01e | Bumper, front, complete. Right-hand steering. Replaced by DX 615-01b. | 1 | DS 615-48 | Stop, rubber, central (R. VI). Left-hand steering. | 1 | | - for screw securing cover joint. - registration number plates. | 3 6 |
| DS 615-13c | Bumper, upper, without end piece. Replaced by DX 615-13 (R. VI). | 1 | DS 615-49 | Cover joint, lower, for half bumpers (R. VI). Left-hand steering. | 1 | 2.482-S | Washer, plain, 7.5 x 14, for screw securing end piece | 6 |
| DS 615-14j | Half bumper, lower, left-hand (R. VI). | 1 | DM 615-49 | Cover joint, lower, for half bumpers (R. VI). Right-hand steering. | 1 | 2.503-S | Nut, hex., 7 diameter x 100 pitch, for screw securing end piece | 6 |
| DS 615-14k | Half bumper, lower, right-hand (R. VI). | 1 | DS 615-56b | Support sheet metal securing extreme left-hand of bumpers. | 1 | 2.746-S | Screw, P.K. 4.85 x 16, securing lower part of registration number plate (R. VI). | 4 |
| DS 615-16c | Registration number plate. | 1 | DS 615-56c | Support sheet metal securing extreme right-hand of bumpers. | 1 | 613.017 | Plug, (nylon), on registration plate (R. VI). R.H. steering. | 1 |
| DS 615-17d | Support, adjustable, left-hand. | 1 | DS 615-57 | Reinforcement of assembling lower half bumpers. | 1 | 619.133 | Washer, plain, for screw assembling and fixing bumpers | 24 |
| DS 615-17e | Support, adjustable, right-hand. | 1 | DS 615-65b | Plate securing end piece on bumpers, left-hand. | 1 | 621.072 | Screw, hex. head, 5 diameter x 16 long securing: - reinforcement on half bumpers. - upper part of bumpers. - upper part of registration number plate. - end piece on bumpers. Replaced by 295-S 30. | 1 4 5 2 |
| DS 615-18f | End piece, left-hand. | 1 | DS 615-65c | Plate securing end piece on bumpers, right-hand. | 1 | | | |
| DS 615-18g | End piece, right-hand. | 1 | DS 615-82 | Packing (aluminium), 4 mm thick for lateral adjustment of bumpers (R. VI). | 2 | | | |
| DS 615-47 | Stop, rubber, left-hand (R. VI). Replaced by DX 615-47. | 1 | | | | | | |

268—REAR BUMPERS

| NUMBER | DESCRIPTION | No. OFF | NUMBER | DESCRIPTION | No. OFF | NUMBER | DESCRIPTION | No. OFF |
|-------------------|---|---------|------------|--|---------|------------------------------------|---|---------|
| A 615-84 | Rubber buffer for rear wing on rear bumper. Since July 1959. | 2 | DS 615-12 | <i>End piece, left-hand. U.S.A. R.H. steering. Until September 1962. Replaced by DM 615-12.</i> | 1 | 2.482-S | Washer, plain, 7.5 x 14, for nuts securing lower rear bumpers | 6 |
| A 971-72 | Rivet, tubular, 3.5 x 9 securing engraved "Citroen" plate (R. VI). | 2 | DS 615-12a | <i>End piece, right-hand, U.S.A. R.H. steering. Until September 1962. Replaced by DM 615-12a.</i> | 1 | 2.491-S | Nut, hex., 7 x 100, for securing stop | 4 |
| DM 578-2 | Registration number plate. Until September 1964. | 1 | DS 615-12d | End piece, left-hand (R. VI). ALL TYPES. Since September 1962. | 1 | 2.503-S | Nut, hex., 7 x 100, for screws securing lower rear bumpers | 6 |
| DS 578-2 | Registration number plate. Since September 1964. | 1 | DS 615-12e | End piece, right-hand (R. VI). ALL TYPES. Since September 1962. | 1 | <u>2.514-S</u> | Washer, shakeproof, 7.3 x 12 under nuts securing stop (R. VI). Since September 1962. | 4 |
| DM 615-02 | Bumpers, rear, complete. L.H. steering. Until September 1962. | 1 | D 615-19 | Finishing piece between rear bumpers, left-hand and rear wing, left-hand, U.S.A. R.H. steering. Until July 1959. | 1 | 2.516-S 30 | Screw, raised head, countersunk, 5 x 16 cruciform, for securing end piece on upper bumpers (R. VI). | 2 |
| DS 615-02f | <i>Bumpers, rear, complete. U.S.A. R.H. steering. Since July 1959. ALL TYPES. September 1962 - September 1964. Replaced by: DS 615-02h.</i> | 1 | D 615-19a | Finishing piece between rear bumpers, right-hand and rear wing, right-hand, U.S.A. R.H. steering. Until July 1959. | 1 | 2.659 | <i>Screw, hex. head, 5 x 13, for securing end piece. Replaced by 283-S.</i> | 4 |
| <u>DS 615-02h</u> | Bumpers, rear, complete. ALL TYPES. Since September 1964. | 1 | DS 615-22 | Stop, rubber, lateral rear (R. VI). Since September 1962. | 2 | 2.668-S | Screw, round head, Parker, 3.5 x 10 for securing finishing trim (R. VI). Until July 1959. | 2 |
| D 615-7 | Rubber buffer. | 2 | D 615-75 | Washer, rubber, anti-rattle, 20 x 30 x 6 on fixed support. | 2 | 299.782 | Plate engraved "Citroen" (R. VI). | 1 |
| D 615-8b | Adjustable bracket, left-hand, L.H. steering. Until September 1962. | 1 | D 825-92 | Screw, round head, 7 x 20, securing rear bumper bar, lower, on adjustable bracket (R. VI). | 4 | 614.203 | Nut, hex., 20 x 200, for securing fixed support | 2 |
| D 615-8c | Adjustable bracket, right-hand, L.H. steering. Until September 1962. | 1 | DS 851-85 | Fixing lug for rubber stop for rear wing on rear bumper. | 2 | 619.022 | Washer, plain, 5.5 x 14 x 1 for screws securing upper bumpers on adjustable support | 4 |
| DS 615-8d | Adjustable bracket, left-hand, U.S.A. R.H. steering. Since July 1959. ALL TYPES. Since September 1962. | 1 | 123-S 30 | Screw, round head, 5 x 10, pointed, securing rear registration number plate (R. III). | 4 | SPECIAL PARTS CABRIOLET | | |
| DS 615-8e | Adjustable bracket, right-hand, U.S.A. R.H. steering. Since July 1959. ALL TYPES. Since September 1962. | 1 | 156-S | <i>Screw, flat head, 5 x 17.5 securing upper bumper bar on adjustable support. Replaced by 2.265-S (R. VI)</i> | 4 | DS 615-011a | Rear bumpers complete. Since September 1962. Replaces earlier type. | 1 |
| DM 615-9 | Bumpers, upper, L.H. steering. Until September 1962. | 1 | 486-S 30 | Screw, hex. head, 7 x 22.5, securing lower bumper bar on adjustable support. | 6 | DS 615-26a | <i>Lower bumpers. Since September 1962. Replaces earlier type.</i> | 1 |
| DS 615-9b | Bumpers, rear, upper, U.S.A. R.H. steering. Since July 1959. ALL TYPES. Since September 1962. | 1 | 1.352 | Washer, 20.5 x 30 x 1.5, for fixed support. | 2 | | | |
| DM 615-10 | Bumpers, lower, L.H. steering. Until September 1962. | 1 | 2.312-S | Washer, plain, 5.5 x 9 for screws securing end piece. | 4 | | | |
| DS 615-10d | Bumpers, rear, lower. U.S.A. R.H. steering. Since July 1959. ALL TYPES. Since September 1962. | 1 | 2.323-S | Nut, 5 x 75 for screws securing - end piece on upper bumpers. - upper bumpers on adjustable bracket. | 2 4 | | | |
| DM 615-12 | End piece, left-hand. L.H. steering. Until September 1962. | 1 | | | | | | |
| DM 615-12a | End piece, right-hand, L.H. steering. Until September 1962. | 1 | | | | | | |



| NUMBER | DESCRIPTION | No. OFF |
|--|---|---------|
| DEMISTING Until September 1964 | | |
| DM 564-5 | Nozzle for distributing warm air, left-hand. | 1 |
| DM 564-6 | Nozzle for distributing warm air, right-hand. | 1 |
| D 564-80 | Clip securing right-hand duct. | 1 |
| DM 564-84 | Flexible duct, 45 x 51 x 65, connecting to nozzle distributing warm air, left-hand (R. VI). | 1 |
| D 564-85 | Flexible duct, 45 x 51 x 500, connecting to nozzle distributing warm air, right-hand (R. VI). | 1 |
| 62-S | Screw, round head, 4 diameter x 7.5 long, securing nozzle distributing warm air (R. III). | 4 |
| 2.668-S | Screw, round head, 3.5 x 10 long, P.K. securing flexible duct, right-hand (R. VI). | 1 |
| HEATING (EXCEPT COLD CLIMATES) AND VENTILATION Until September 1964 | | |
| DM 112-88 | Joint for cover plate for heater outlet (R. VI). Since February 1960. | 1 |
| D 564-80 | Clips securing flexible duct on dashboard, right-hand. | 3 |
| DM 642-1 | <i>Heater radiator (R. VI). Until September 1962. Replaced by DM 642-1a; order in addition: 1-DM 643-57a, 1-DM 643-91c.</i> | 1 |
| DM 642-1a | Heater radiator, diameter of air intake, 86 mm (R. VI). Since September 1962. | 1 |
| DM 642-8 | Indicator plate for demisting and heating (R. VI). L.H. steering. | 1 |
| DM 642-9a | Heater outlet on cylinder head. Until February 1960. | 1 |
| DM 642-9b | <i>Heater outlet on cylinder head, length of tube 35 mm. Since February 1960. Replaced by DM 642-9d; order in addition: 1-DM 112-94, 1-2.472-S (R. VI).</i> | 1 |
| DM 642-10 | Indicator plate for heating control (R. VI). R.H. steering. | 1 |

| NUMBER | DESCRIPTION | No. OFF |
|------------|--|---------|
| DM 642-13 | Indicator plate for demisting and heating (R. VI). R.H. steering. | 1 |
| DM 642-68 | Bracket for heater radiator. | 1 |
| DM 642-84 | Flexible pipe, 13.5 x 21 for water return, 330 mm long. | 1 |
| DM 642-86 | Flexible pipe for water supply to radiator, 500 mm long. Until February 1960. | 1 |
| DM 642-86a | Flexible pipe for hot water supply to radiator, undeveloped length 325 mm. Since February 1960. | 1 |
| DM 642-86b | Flexible feed pipe for heater radiator, (barometric corrector assembly). R.H. steering. Since September 1961. | 1 |
| DM 643-02 | Ventilation grille, left-hand. | 1 |
| DM 643-03 | Ventilation grille, right-hand. | 1 |
| DM 643-2 | Duct for hot air distribution. L.H. steering. | 1 |
| DM 643-4 | Duct for hot air distribution. R.H. steering. | 1 |
| DM 643-5 | Air duct connection, rubber, left-hand and right-hand between front wing and ventilation duct. Until September 1962. | 2 |
| DS 643-6 | Air duct between feed duct and ventilation duct, right and left-hand (R. VI). Since September 1962. | 2 |
| DM 643-17 | Ventilation duct with one shutter, left-hand (EXCEPT CONFORT). Until September 1962. | 1 |
| DM 643-17a | Ventilation duct with one shutter, right-hand (EXCEPT CONFORT). Until September 1962. | 1 |
| DM 643-17f | Ventilation duct with one shutter, left-hand (EXCEPT CONFORT). Since September 1962. | 1 |

| NUMBER | DESCRIPTION | No. OFF |
|------------|--|---------|
| DM 643-17g | Ventilation duct with one shutter, right-hand (EXCEPT CONFORT). Since September 1962. | 1 |
| DS 643-19 | Insect grille on air intake duct on front wing. Since September 1962. | 2 |
| DS 643-50 | Clip forming collar with welded nut for securing ventilation duct on front wing. Since September 1962. | 2 |
| DM 643-52 | Flexible duct connecting radiator with distribution duct. | 1 |
| DS 643-53 | Clip securing feed duct on front left-hand wing. Since September 1962. | 1 |
| DS 643-53a | Clip securing feed duct on front right-hand wing. Since September 1962. | 1 |
| DM 643-57 | Hot air intake fixed on radiator tie-rod. Until September 1962. | 1 |
| DM 643-57a | Air intake fixed on radiator tie-rod. Since September 1962. | 1 |
| DS 643-57 | Duct (metal) for air intake on front wing, right and left-hand. Since September 1962. | 2 |
| DM 643-82a | Duct, flexible, for heater right-hand side, 1,050 mm long (R. VI). | 1 |
| DM 643-88 | Insect grille on front wing, right and left-hand. Until September 1962. | 2 |
| D 643-89 | Sealing trim between heater ducts, ventilation and upper part of dashboard, 590 mm long (R. VI). | As nec. |
| DM 643-91 | Duct, flexible, connecting air intake to radiator, 330 mm long. Until September 1962. | 1 |
| DM 643-91c | Duct, flexible, connecting air intake to heater radiator, 86 mm dia. x 340 mm long. Since September 1962. Catalogue No. 470 - July 1965. | 1 |

272—DEMISTING—HEATING—VENTILATION

| NUMBER | DESCRIPTION | No. OFF | NUMBER | DESCRIPTION | No. OFF | NUMBER | DESCRIPTION | No. OFF |
|------------|---|---------|------------|---|-----------------------|-------------|---|---------|
| DS 643-103 | Duct, flexible, for air intake for ventilation, right and left-hand, 103 mm diameter x 840 mm long (R. VI). Since September 1962. | 2 | 125-S | Screw, round head, 5 x 15, for securing heater intake on radiator tie-rod (R. III). | 2 | DM 643-17e | Ventilation duct with two shutters, right-hand. Replaces duct fitted until October 1961. Until September 1962. | 1 |
| DM 643-112 | Collar, ligarex, for securing duct, 1,170 mm long (R. VI). | 4 | 483-S | Screw, hex. head, 7 x 15, for securing heater intake on cylinder head (R. III). | 4 | DM 643-17h | Ventilation duct with two shutters, left-hand. CONFORT. Since September 1962. | 1 |
| DM 644-02 | Ventilation shutter, left-hand. | 1 | 2.665-S | Screw, round head, 5 x 16, for securing lower insect grille (R. VI). | 2 | DM 643-17i | Ventilation duct with two shutters, right-hand. CONFORT. Since September 1962. | 1 |
| DM 644-02a | Ventilation shutter, right-hand. | 1 | 2.668-S | Screw, round head, 3.5 x 10, for securing (R. VI): - insect grille. - clip for flexible duct. | 4 4 | DM 643-115 | Heater intake for rear seats on distribution duct. | 1 |
| DM 644-10 | Heater control, L.H. steering. Replaced by DM 644-17a. | 1 | 2.884-S | Collar for securing flexible duct for heater (R. VI). | 3 | DM 643-116 | Duct, flexible, for heater, to rear seats, 45 mm diameter x 1,500 mm long (R. VI). | 1 |
| DM 644-17 | Heater control. R.H. steering. | 1 | 89.149 | Screw, hex. head, 5 x 18, for securing upper part of ventilation grille (R. III). | 2 | DM 643-117 | Clip securing heater duct to rear places. | 1 |
| DW 644-18 | Heater control and demisting. R.H. steering. | 1 | 457.469 | Joint for heating intake (R. VI). Until February 1960. | 1 | DM 643-119 | Plate securing heating duct to rear places. | 1 |
| DM 644-55 | Spring, left, for returning lever of ventilation shutter. | 1 | 585.698 | Clip for shutter control cable (R. III). | 1 | DM 644-2a | Ventilation shutter, right and left-hand on duct. | 2 |
| DM 644-55a | Spring, right, for returning lever of ventilation shutter. | 1 | 614.020 | Clip securing flexible tube on radiator, 113 mm long (R. VI). | 4 | D 644-84 | Ball for lever on deflecting shutter (R. VI). | 2 |
| DM 644-61 | Heater shutter. | 1 | 614.050 | Collar, ligarex, securing ducts on air intake side and insect grille, 720 mm long (R. VI). Since September 1962. | 4 | DM 644-102 | Return spring for ventilation shutter. | 2 |
| DM 644-66 | Cable for heater shutter, 755 mm long (R. VI). L.H. steering. | 1 | 615.710 | Nut clips for screw, 4.85 diameter for securing lower ventilation grille (R. VI). | 2 | DM 644-110 | Guide for deflector shutter lever, right and left-hand. | 2 |
| DM 644-68 | Guide for lever of hot air shutter (R. VI). L.H. steering. | 1 | 618.745 | Rivet, Pop, for securing air intake duct on wing (R. VI). Since September 1962. | 8 | DM 644-111a | Shutter for ventilator deflector, left-hand. | 1 |
| D 644-84 | Ball on lever of shutter for heater and ventilation (R. VI). | 3 | 621.062 | Screw, hex. head, 5 x 14, for securing (R. III); - radiator support. - radiator. - heater duct. - heating control. - ventilation duct. | 4 4 2 2 2 | DM 644-112a | Shutter for ventilator deflector, right-hand. | 1 |
| DM 644-84 | Control cable for shutter of heating and demisting, 765 mm long (R. VI). R.H. steering. | 1 | | | | DM 644-123 | Sealing trim for ventilation shutter and duct (R. VI). Since October 1961. | 1 |
| DM 644-86 | Lever, right-hand, for ventilation shutter. | 1 | | | | 2.499-S | Screw, raised head, countersunk, 3.5 x 9.5 (cruciform slot) for securing the plate holding the duct (R. VI). | 2 |
| DM 644-87 | Lever, left-hand, for ventilation shutter. | 1 | | | | 2.756-S | Screw, round head, 3.5 x 9, (cruciform slot) for securing the duct (R. VI). | 1 |
| DM 644-91 | Shutter control lever for directing heating. L.H. steering. | 1 | | | | 2.985-S | Collar, PC with pin for securing flexible duct, 438 mm long (R. VI). | 2 |
| DM 644-94 | Control cable for heater shutter, 685 mm long (R. VI). R.H. steering. | 1 | | | | 233.400 | Stop for ventilation shutter (R. VI). | 4 |
| 123-S | Screw, round head, 5 x 10, for securing cable on shutter control (R. III). | 1 | DM 643-17d | Ventilation duct with two shutters, left-hand. Replaces duct fitted until October 1961. Until September 1962. | 1 | 621.062 | Screw, hex. head, 5 x 14, for securing (R. III): - guide for deflector shutter lever. - heater intake on distribution duct. | 4 1 |

| NUMBER | DESCRIPTION | No. OFF | NUMBER | DESCRIPTION | No. OFF | NUMBER | DESCRIPTION | No. OFF |
|--|---|---------|------------|--|---------|------------|---|---------|
| DEMISTING Since September 1964 | | | DM 642-9d | Plate for cylinder head with outlets for heater and thermometer bulb. Since November 1964. | 1 | DS 643-53a | Clip securing feed duct on front right-hand wing. | 1 |
| DW 564-5 | Demisting nozzle (R. VI). | 1 | DM 642-68 | Bracket for heater radiator. | 1 | DM 643-57a | Air intake fixed on radiator tie-rod. | 1 |
| DW 564-60 | Sealing finisher between nozzle and panel, 185 mm long. | 2 | DM 642-84 | Tube, flexible, 13.5 x 21 for water return, 330 mm long. | 1 | DS 643-57 | Duct (metal), for air intake on front wing right and left-hand. | 2 |
| DW 564-80 | Finisher for nozzle on panel, left-hand, 220 mm long. | 1 | DM 642-86a | Tube, flexible, for radiator feed, length undeveloped 325 mm. | 1 | DM 643-82a | Duct, flexible, for heat to interior, right-hand side, 1,050 mm long (R. VI). | 1 |
| DW 564-80a | Finisher for nozzle on panel, right-hand, 215 mm long. | 1 | DM 642-86b | Tube, flexible, for radiator feed (with barometric corrector). R.H. steering. | 1 | D 643-89 | Trimming between ventilation duct and instrument panel, upper part, 590 mm long (R. VI). | As nec. |
| DW 564-84 | Duct, flexible, between distribution duct and nozzle, 75 mm diameter x 88 mm long (R. VI). | 1 | DW 643-02b | Grille, swivelling, on ventilation duct (R. VI). | 2 | DM 643-91c | Duct, flexible, between air intake and heater radiator, 86 mm diameter x 0.340 m long. | 1 |
| DM 564-117 | Plug on demisting nozzle, right-hand (R. VI). | 1 | DS 643-6 | Duct, between feed duct and ventilation, right and left-hand (R. VI). | 2 | DS 643-103 | Duct, flexible, feeding air for ventilation, right and left-hand, 103 mm diameter, 840 mm long (R. VI). | 2 |
| HEATING (EXCEPT COLD CLIMATES) AND VENTILATION Since September 1964 | | | DM 643-10e | Distribution duct for hot air. | 1 | DM 643-112 | Collar, ligarex, for securing duct, length 1,170 mm (R. VI). | 4 |
| DM 112-88 | Joint for heater intake plate. | 1 | DM 643-11a | Ventilation grille on panel, right-hand. L.H. steering. | 1 | DW 644-02 | Ventilation shutter, upper induct. | 2 |
| DM 112-94 | Sealing plug for thermometer bulb outlet, threaded 18 x 150, (fitting without thermometer). Since November 1964. | 1 | DM 643-11b | Ventilation grille on panel, left-hand. R.H. steering. | 1 | DW 644-2 | Ventilation shutter, lower, under duct. | 2 |
| D 564-80 | Clip securing flexible duct on instrument board, right-hand. | 3 | DW 643-17b | Ventilation duct, left-hand. | 1 | DW 644-17 | Heater control. | 1 |
| DM 642-1a | Heater radiator, diameter of air intake, 86 mm (R. VI). | 1 | DS 643-17c | Ventilation duct, right-hand. | 1 | DW 644-18 | Heater control and demisting. | 1 |
| DW 642-8 | Indicator plate for heater control, ventilating and demisting (R. VI). | 1 | DS 643-19 | Insect grille on duct on air intake on front wing. | 2 | DW 644-55 | Spring, 5.5 x 20 for push-button on control lever of ventilation shutters on duct. | 2 |
| DM 642-9b | <i>Heater intake on cylinder head, length of tube 35 mm. Until November 1964. Replaced by DM 642-9d; order in addition: 1-DM 112-94, 1-2.472-S.</i> | 1 | DS 643-50 | Clip forming collar with welded nut for securing ventilation duct on front wing. | 2 | DM 644-61 | Heater shutter. | 1 |
| | | | DM 643-52 | Duct, flexible, between radiator and distribution duct. | 1 | DW 644-72 | Control cable for ventilation shutter (R. VI). | 2 |
| | | | DS 643-53 | Clip for securing feed duct on front left-hand wing. | 1 | DM 644-84 | Control cable for heater distribution, 765 mm long (R. VI). | 1 |

272D-DEMISTING-HEATING-VENTILATION

| NUMBER | DESCRIPTION | No. OFF | NUMBER | DESCRIPTION | No. OFF | NUMBER | DESCRIPTION | No. OFF | | | |
|------------|---|---------|---------|---|------------------|---|-------------|---------|-------------|--|---|
| DW 644-84 | Knobs for control levers of heater shutters (R. VI). | 2 | 2.668-S | Screw, round head, 3.5 x 10, for securing clip for heater duct on engine housing plate (R. VI). | 4 | CONFORT EQUIPMENT Since September 1964 | | | | | |
| DW 644-87a | Control lever for ventilation shutters, 152 mm long. | 4 | 2.884-S | Collar for securing flexible heater duct, 550 mm long (R. VI). | 2 | | | | DW 643-115 | Heater intake on distribution duct. | 1 |
| DW 644-92 | Control button for ventilation levers on dashboard (R. VI). | 4 | 233.400 | Swivel thrust pin for ventilation shutter (R. VI). | 2 | | | | DM 643-116 | Duct, flexible, for heater to rear seats, 45 mm diameter x 150 mm long (R. VI). | 1 |
| DM 644-94 | Control cable for heater lever, 685 mm long (R. VI). | 1 | 585.698 | Trunnion for shutter control cable (R. III). | 1 | | | | DM 643-117a | Clip forming collar for securing heater ducts to rear seats. | 1 |
| DW 644-119 | Push-button for ventilation shutters on duct (R. VI). | 4 | 614.020 | Collar for securing flexible tube on radiator, 113 mm long (R. VI). | 3 | | | | DW 643-119 | Plate securing heater ducts to rear seats. | 1 |
| 125-S | Screw, round head, 5 x 10, for securing heater intake on radiator tie-rod (R. III). | 2 | 614.050 | Collar, ligarex, for securing ducts, grille and air intake side, 720 mm long (R. VI). | 4 | | | | 2.499-S | Screw, raised head countersunk, 3.5 x 9.5, for securing plate holding ducts (R. VI). | 2 |
| 483-S | Screw, hex. head, 7 x 15, for securing heater intake on cylinder head (R. III). | 4 | 618.745 | Rivet, Pop, for securing air intake duct on wing (R. VI). | 8 | | | | 2.756-S | Screw, round head, 3.5 x 9.5, for securing clip for duct (R. VI). | 1 |
| 2.270-S | Screw, raised head countersunk, 4 x 14, for securing heater indicator plate (R. VI). | 3 | 619.811 | Clips securing control buttons on dashboard for ventilation control levers (R. VI). | 4 | | | | 2.985-S | Collar securing flexible duct, 480 mm long (R. VI). | 2 |
| 2.472-S | Joint, 18.3 x 24 x 2 for plug for thermometer bulb outlet (R. VI). Since November 1964. | 1 | 621.062 | Screw, hex. head, 5 x 14, for securing (R. III): - radiator support. - radiator. - heater and demisting control. - clips for securing duct on front wing. | 4 4 4 6 | | | | 621.062 | Screw, hex. head, 5 x 14, securing heater intake on duct (R. III). | 1 |
| 2.659 | Screw, hex. head, 5 x 13, for securing shutter control cable (R. III). | 1 | | | | | | | | | |

| NUMBER | DESCRIPTION | No. OFF | NUMBER | DESCRIPTION | No. OFF | NUMBER | DESCRIPTION | No. OFF |
|------------|--|---------|------------|--|---------|------------|--|---------|
| | Until September 1962 DEMISTING | | | | | | | |
| DM 564-5 | Nozzle for distributing warm air, left-hand. No longer supplied. | 1 | DM 642-02 | Heater group, front, Ducellier, motor held by two screws (3215 A) (R. VI). Until January 1962. Replaced by: DW 642-02. | 1 | DM 642-19 | Turbine (R. VI). Until January 1962. | 1 |
| DM 564-6 | Nozzle for distributing warm air, right-hand. | 1 | DW 642-02 | Heater group, front, Ducellier, motor held by three screws (3215 B) (R. VI). Since January 1962. | 1 | DS 642-19 | Turbine (R. VI). Since January 1962. | 1 |
| DM 564-80 | Clip securing right-hand duct. | 1 | DM 642-04 | Temperature gauge bulb unit (R. VI). | 1 | DM 642-20 | Bracket for motor (R. VI). Until January 1962. | 1 |
| DM 564-84 | Flexible duct, 45 x 51 x 65 connecting to nozzle distributing warm air, left-hand (R. VI). | 1 | DM 642-011 | Radiator (R. VI). | 1 | DM 642-20a | Bracket for motor held by three screws (R. VI). Since January 1962. | 1 |
| D 564-85 | Flexible duct, 45 x 51 x 500 connecting to the nozzle distributing warm air, right-hand (R. VI). | 1 | DM 642-012 | Motor, 12 volts, held by two screws (R. VI). Until January 1962. | 1 | DM 642-21 | Box support for heater radiator (R. VI). | 1 |
| 62-S | Screw, round head, 4 x 7.5 securing nozzle distributing warm air (R. III). Replaced by 2. 241-S. | 4 | DM 642-012 | Motor, 12 volts, held by three screws (R. VI). Since January 1962. | 1 | DM 642-22 | Volute for heater group impeller (R. VI). | 1 |
| 2. 668-S | Screw, round head, 3.5 x 10, Parker for securing flexible duct, right-hand (R. VI). | 1 | DS 642-012 | Motor, 12 volts, held by three screws (R. VI). Since January 1962. | 1 | DM 642-30 | Thrust plate for heater group motor (R. VI). Until January 1962. | 1 |
| | HEATING AND VENTILATION | | DM 642-8a | Indicator plate for ventilation control, de-misting and heating (R. VI). U.S.A. | 1 | DM 642-31 | Joint, rubber, between box and volute (R. VI). | 4 |
| DM 112-88 | Joint for cover plate for heater outlet (R. VI). | 1 | DM 642-8b | Indicator plate for ventilation control, de-misting and heating (R. VI). | 1 | DM 642-63 | Front support for heater group. | 1 |
| DM 522-10b | Switch for heater group on dashboard (R. VI). | 1 | DM 642-8c | Indicator plate for control of ventilation, de-misting and heating (R. VI). LATIN AMERICA. | 1 | DM 642-68 | Lower support for heater group. | 1 |
| D 564-80 | Clip securing flexible duct on dashboard. | 3 | DM 642-9c | Plate on cylinder head with welded nut for securing thermometer bulb unit. | 1 | DS 642-71a | Plate with welded screw for support of water outlet tube. | 1 |
| D 565-58 | Bush, shouldered, rubber, 12 x 20 x 17 x 6, for screws securing heater group (R. VI). | 3 | DS 642-9 | Tube, 20 x 22 with water outlet. | 1 | DS 642-73a | Support for water outlet tube. | 1 |
| D 565-104 | Bush, rubber, 8 x 20 x 8, for screws securing heater group (R. VI). | 3 | DM 642-10 | Indicator plate for control of heating (R. VI). R.H. steering. | 1 | DS 642-75 | Joint, oval, for flange on water outlet tube, 2 holes 5.5 at 38 mm centres (R. VI). | 1 |
| D 565-115 | Washer, cupped, for bush securing heater group (R. VI). | 3 | DM 642-13 | Indicator plate for de-misting and heating (R. VI). R.H. steering. | 1 | DA 642-84 | Tube, flexible, for water return (R. VI). | 1 |
| DM 642-01 | Valve for adjusting heating (R. VI). Replaced by DM 642-01b. | 1 | DM 642-14 | Indicator plate for adjustment of heating (R. VI). | 1 | DM 642-85 | Tube, rubber, for feed between valve and radiator on front group. | 1 |
| | | | DM 642-14a | Indicator plate for adjustment of heating (R. VI). U.S.A. | 1 | DS 642-96 | Tube, rubber, for hot water outlet. | 1 |
| | | | DM 642-14b | Indicator plate for adjustment of heating (R. VI). LATIN AMERICA. | 1 | DM 643-02 | Ventilation grille, left-hand. | 1 |
| | | | | | | DM 643-03 | Ventilation grille, right-hand. | 1 |
| | | | | | | DM 643-2a | Distribution duct for warm air. Replaced by: DM 643-10c, order in addition: 1 DS 643-52. | 1 |
| | | | | | | DM 643-4a | Distribution duct for warm air, R.H. steering. | 1 |

276-DEMISTING-HEATING-VENTILATION (COLD CLIMATES)

| NUMBER | DESCRIPTION | No. OFF | NUMBER | DESCRIPTION | No. OFF | NUMBER | DESCRIPTION | No. OFF |
|------------|---|---------|------------|--|---------|-------------|---|---------|
| DM 643-5 | Air duct connection, rubber, right and left-hand, between front wing and ventilation duct. | 2 | DM 643-134 | Nozzle, left-hand, on hot air distribution duct (R. VI). Arrangement with rear heater. | 1 | DM 644-87 | Lever, left-hand, controlling ventilation shutter. | 1 |
| DM 643-17d | Ventilation duct with two shutters, left-hand, replaces duct fitted until October 1961. | 1 | DM 644-02 | Ventilation shutter, left-hand. | 1 | DM 644-91a | Shutter control lever for heater distribution. | 1 |
| DM 643-17e | Ventilation duct with two shutters, right-hand, replaces duct fitted until October 1961. | 1 | DM 644-02a | Ventilation shutter, right-hand. | 1 | DM 644-94 | Cable, controlling heater shutter, 685 mm long (R. VI). R.H. steering. | 1 |
| DM 643-19 | Insect grill on heater group (R. VI). | 1 | DM 644-2a | Ventilation shutter on duct, right and left-hand. | 2 | DM 644-102 | Return spring for ventilation shutter. | 2 |
| DM 643-52a | Duct, flexible, between heater group and distribution duct. | 1 | DM 644-10 | <i>Control for heating. L.H. steering. Replaced by DM 644-17a.</i> | 1 | DM 644-110 | Guide for deflection shutter lever, right and left-hand. | 2 |
| DM 643-82a | Duct, flexible, for heater, right-hand, 1,150 mm long (R. VI). | 1 | DM 644-17 | Control for heating, R.H. steering. | 1 | DM 644-111a | Ventilation deflection shutter, left-hand. | 1 |
| DM 643-88 | Insect grill on front wing, right and left-hand. | 2 | DW 644-18 | Control for heating and de-misting, R.H. steering. | 1 | DM 644-112a | Ventilation deflection shutter, right-hand. | 1 |
| D 643-89 | Sealing joint between duct for heating, ventilation and upper part of dashboard, 590 mm long (R. VI). | As nec. | DM 644-55 | Return spring, left-hand, for ventilation shutter lever. | 1 | DM 644-114 | <i>Guide for hot air shutter control lever (R. VI). U.S.A. No longer supplied.</i> | 1 |
| DM 643-91a | Duct, flexible, between front wing and heater group. | 1 | DM 644-55a | Return spring, right-hand, for ventilation shutter lever. | 1 | DM 644-123 | Sealing strip for ventilation shutter. | 1 |
| DM 643-112 | Clip, ligarex, securing duct connection, 1,170 mm long (R. VI). | 4 | DM 644-61a | Heater shutter on front hot air distribution duct. | 1 | 123-S | <i>Screw, round head, 5 x 10, for securing trunnion on cable controlling heater shutter (R. III). Replaced by 2.502-S 30.</i> | 1 |
| DM 643-115 | Heater intake for rear seats on distribution duct. | 1 | DM 644-66 | Cable controlling heater shutter, 755 mm long (R. VI). | 1 | 483-S | Screw, hex. head, 7 x 15, for securing plate on cylinder head for thermometer bulb unit (R. III). | 4 |
| DM 643-116 | Duct, flexible, for heating to rear seats, 45 mm diameter x 1,500 mm long (R. VI). | 1 | DM 644-68 | Guide for lever controlling hot air shutter (R. VI). L.H. steering. | 1 | 2.270-S | Screw, raised head countersunk, 4 x 14, for securing heater indicator plate (R. VI). | 3 |
| DM 643-117 | Clip securing heater duct to rear seats. | 1 | DM 644-68a | <i>Guide for lever controlling hot air shutter (R. VI). LATIN AMERICA. No longer supplied.</i> | 1 | 2.466-S | Joint, fibre, 18.3 x 24 x 1 for thermometer bulb unit (R. VI). | 1 |
| DM 643-119 | Plate securing heater duct to rear seats. | 1 | DM 644-70 | Distance piece, 5.5 x 8 x 10.5 for sleeve securing heater group, (R. VI). | 3 | 2.499-S | Screw, raised head countersunk, 3.5 x 9.5 (cruciform slot) for securing plate holding duct (R. VI). | 2 |
| | | | D 644-84 | Knob, for lever (R. VI): - for ventilation and heater shutter. - for deflection shutter. | 3 2 | 2.502-S 30 | Screw, round head, 5 x 12, pointed, (cruciform slot) for securing valve on body (R. VI). | 3 |
| | | | DM 644-84 | Cable controlling heating and de-misting shutter, 765 mm long (R. VI). R.H. steering. | 1 | 2.665-S | Screw, round head, 5 x 16, for securing lower ventilation grille (R. VI). | 2 |
| | | | DM 644-86 | Lever, right-hand, controlling ventilation shutter. | 1 | | | |

DEMISTING-HEATING-VENTILATION (COLD CLIMATES)-279

| NUMBER | DESCRIPTION | No. OFF | NUMBER | DESCRIPTION | No. OFF | NUMBER | DESCRIPTION | No. OFF |
|---------|--|-------------|---------|--|---------|---------|--|-----------------------|
| 2.668-S | Screw, round head, 3.5 x 10, for securing (R. VI): - insect grille. - clip securing flexible duct. | 4 4 1 | 2.989-S | Collar, PC, with pin, 254 mm long, for securing water outlet tube on cock. | 1 | 614.020 | Collar, ligarex, for screw securing feed pipe on radiator (R. VI). | 1 |
| 2.756-S | Screw, round head, 3.5 x 9.5 (cruciform slot) for securing duct (R. VI). | 1 | 2.994-S | Collar, for securing duct between heater group and distribution duct, 740 mm long (R. VI). | 1 | 615.710 | Nut, clips, for screw 4.85 diameter for securing lower ventilation grille (R. VI). | 2 |
| 2.854-S | Collar, PC, with pin, 208 mm long, for securing feed pipe on cock (R. VI). | 1 | 89.114 | <i>Screw, hex. head, 5 x 25, for securing heater group on radiator support (R. III). Replaced by 285-S 30.</i> | 3 | 619.089 | Washer, 5.5 x 20 x 1 for screws securing heater group (R. III). | 3 |
| 2.876-S | Collar for securing water outlet tube, 287 mm long (R. VI). | 1 | 89.149 | Screw, hex. head, 5 x 18, for securing upper ventilation grill (R. III). | 2 | 621.062 | <i>Screw, hex. head, 5 x 14, for securing (R. III):</i> - radiator support. - heater duct. - heater controls. - ventilation duct. - guide for shutter distribution lever. <i>Replaced by 283-S 30.</i> | 4 2 2 2 4 |
| 2.985-S | Collar, PC, with pin, for securing flexible duct, length 438 mm long (R. VI). | 2 | 233.400 | Rubber buffer for ventilation shutter. (R. IV). | 4 | 804.104 | Knob, rubber, for operating heater valve (R. VI). | 1 |
| | | | 585.698 | Trunnion for shutter control cable (R. III). | 1 | | | |

280—DEMISTING—HEATING—VENTILATION (COLD CLIMATES)

| NUMBER | DESCRIPTION | No. OFF | NUMBER | DESCRIPTION | No. OFF | NUMBER | DESCRIPTION | No. OFF |
|------------|---|---------|------------|--|---------|------------|---|---------|
| | September 1962— September 1964 | | | | | | | |
| | DEFROSTING | | | | | | | |
| DM 564-5 | Nozzle for distributing warm air, left-hand. No longer supplied. | 1 | D 565-115 | Washer, cupped, for bush securing rear left-hand heater group (R. VI). | 1 | DS 642-20 | Half-shell for motor support, right-hand (R. VI). | 1 |
| DM 564-6 | Nozzle for distributing warm air, right-hand. | 1 | DM 642-01a | Regulating valve for heating (R. VI). Until January 1964. Replaced by DM 642-01b. | 1 | DS 642-48 | Rear support for heater group. | 1 |
| D 564-80 | Clip for securing duct, right-hand. | 1 | DM 642-01b | Regulating valve for heater (R. VI). Since January 1964. | 1 | DM 642-51a | Screw, round head, 4 x 16.5, for securing regulating valve body of heater on bracket (R. VI). | 2 |
| DM 564-84 | Duct, flexible, 45 x 51 x 65 connecting the nozzle distributing warm air, left-hand (R. VI). | 1 | DS 642-02 | Heater and ventilation group, Ducellier (3.216A) (R. VI). | 1 | DS 642-63 | Half-shell for turbine, left-hand (R. VI). | 1 |
| D 564-85 | Duct, flexible, 45 x 51 x 500 connecting to nozzle distributing warm air, right-hand (R. VI). | 1 | DM 642-04 | Thermometer bulb unit (R. VI). | 1 | DS 642-71a | Plate with welded screw for water outlet tube support. | 1 |
| 62-S | Screw, round head, 4 x 7.5 for securing warm air nozzle (R. III). Replaced by 2.241-S. | 4 | DS 642-011 | Heater radiator (R. VI). | 1 | DS 642-73b | Support for water outlet tube. | 1 |
| 2.668-S | Screw, round head, 3.5 x 10, PK, securing flexible duct, right-hand (R. VI). | 1 | DS 642-012 | 12 volt motor (R. VI). | 1 | DS 642-75 | Joint, oval, for flange of water outlet tube, 2 holes 5.5 at 38 mm centres (R. VI). | 1 |
| | HEATING AND VENTILATION September 1962—September 1964 | | DM 642-8a | Indicator control plate for ventilation de-misting and heating (R. VI). U. S. A. | 1 | DA 642-84 | Tube, flexible, for water return (R. VI). | 1 |
| DM 112-88 | Joint for cover plate for heater (R. VI). | 1 | DM 642-8b | Indicator control plate for ventilation de-misting and heating (R. VI). | 1 | DM 642-85 | Tube, rubber, for feed between valve and radiator on front group. | 1 |
| DM 522-10b | Switch for heater on instrument panel (R. VI). | 1 | DM 642-8c | Indicator control plate for ventilation de-misting and heating (R. VI). LATIN AMERICA. | 1 | DM 642-93 | Body of operating button on heater valve (R. VI). | 1 |
| D 564-80 | Clip securing flexible duct on dashboard, right-hand. | 3 | DM 642-9c | Plate on cylinder head with welded nut for securing thermometer bulb unit. | 1 | DS 642-96 | Tube, rubber, for warm water outlet. | 1 |
| D 565-58 | Bush, rubber, shouldered, 12 x 20 x 17 x 6 for screws securing rear left-hand heater group (R. VI). | 1 | DS 642-9 | Tube, 20 x 22 with water outlet. | 1 | DM 642-100 | Washer, rubber, insulating heater valve, 100 mm diameter x 4 mm thick (R. VI). | 1 |
| D 565-104 | Bush, rubber, 8 x 20 x 8, for screws securing front and rear right-hand heater group (R. VI). | 4 | DM 642-10 | Indicator control plate for heating (R. VI). R.H. steering. | 1 | DS 642-104 | Spring securing upper radiator group (R. VI). | 1 |
| | | | DM 642-13 | Indicator control plate for heating and de-misting (R. VI). R.H. steering. | 1 | DM 643-02 | Ventilation grille, left-hand. | 1 |
| | | | DM 642-14 | Indicator plate for adjusting heating (R. VI). | 1 | DM 643-03 | Ventilation grille, right-hand. | 1 |
| | | | DM 642-14a | Indicator plate for adjustment of heating (R. VI). U.S.A. | 1 | DS 643-5 | Duct, between heater group and ventilation duct, left-hand. | 1 |
| | | | DM 642-14b | Indicator plate for adjustment of heating (R. VI). LATIN AMERICA. | 1 | DS 643-6 | Duct for feed and ventilation, right-hand (R. VI). | 1 |
| | | | DS 642-19 | Turbine (R. VI). | 1 | DM 643-10c | Ventilation duct for warm air, L.H. steering. | 1 |

| NUMBER | DESCRIPTION | No. OFF | NUMBER | DESCRIPTION | No. OFF | NUMBER | DESCRIPTION | No. OFF |
|------------|--|---------|------------|--|---------|-------------|---|---------|
| DM 643-10d | Warm air distribution duct, R.H. steering. | 1 | DM 643-134 | Nozzle, left-hand on hot air distribution duct (R. VI). Arrangement with rear heater. | 1 | DM 644-84 | Cable controlling heating and demisting shutter, 765 mm long (R. VI). R.H. steering. | 1 |
| DM 643-17h | Ventilation duct with two shutters, left-hand. | 1 | DM 644-02 | Ventilation shutter, left-hand. | 1 | DM 644-86 | Lever, right-hand, controlling ventilation shutter. | 1 |
| DM 643-17i | Ventilation duct with two shutters, right-hand. | 1 | DM 644-02a | Ventilation shutter, right-hand. | 1 | DM 644-87 | Lever, left-hand, controlling ventilation shutter. | 1 |
| DS 643-19 | Insect grille on air intake duct on front wing. | 2 | DM 644-2a | Ventilation shutter on right and left-hand duct. | 2 | DM 644-87 | Lever, left-hand, controlling ventilation shutter. | 1 |
| DS 643-50 | Clip forming collar with nut for securing ventilation duct on front wing, right-hand. | 1 | DM 644-10 | <i>Heater control, L.H. steering. Replaced by DM 644-17a.</i> | 1 | DM 644-91a | Lever controlling heater distribution shutter. | 1 |
| DS 643-52 | Duct, flexible, between radiator and distribution duct. | 1 | DM 644-17a | Heater control, R.H. steering. | 1 | DM 644-94 | Cable controlling heater shutter, 685 mm long (R. VI). R.H. steering. | 1 |
| DS 643-53a | Clip securing feed duct on front wing, right-hand. | 1 | DW 644-18 | Heater control and de-misting, R.H. steering. | 1 | DM 644-102 | Return spring for ventilation shutter. | 2 |
| DS 643-57 | Duct for air intake on front wing, right and left-hand. | 2 | DM 644-55 | Return spring, left-hand, for ventilation shutter lever. | 1 | DM 644-110 | Guide for deflection shutter lever, right and left-hand. | 2 |
| DM 643-82a | Duct, flexible, for heater, right-hand, 1, 150 mm long (R. VI). | 1 | DM 644-55a | Return spring, right-hand, for ventilation shutter lever. | 1 | DM 644-111a | Ventilation deflection shutter, left-hand. | 1 |
| D 643-89 | Sealing joint between ducts for heating, ventilation and upper part of dashboard. 590 mm long (R. VI). | As nec. | DM 644-61a | Heater shutter on front hot air distribution duct. | 1 | DM 644-112a | Ventilation deflection shutter, right-hand. | 1 |
| DS 643-103 | Duct, flexible, for air feed for ventilation, right and left-hand, 84 mm long (R. VI). | 2 | DM 644-66 | Cable controlling heater shutter, 755 mm long (R. VI). | 1 | DM 644-114 | <i>Guide for hot air shutter control lever (R. VI). U.S.A. No longer supplied.</i> | 1 |
| DM 643-112 | Collar, ligarex, for securing duct, 1, 170 mm long (R. VI). | 4 | DM 644-68 | Guide for lever controlling hot air shutter (R. VI). L.H. steering. | 1 | DM 644-123 | Sealing strip, for ventilation shutter. | 1 |
| DM 643-115 | Heater intake for rear seats on distribution duct. | 1 | DM 644-68a | <i>Guide for lever controlling hot air shutter (R. VI). LATIN AMERICA. No longer supplied.</i> | 1 | 123-S | <i>Screw, round head, 5 x 10, for trunnion on cable controlling heater shutter. Replaced by 2.502-S 30.</i> | 1 |
| DM 643-116 | Duct, flexible, for heating to rear seats, 45 mm diameter 1, 500 mm long (R. VI). | 1 | DM 644-70 | Distance piece, 5.5 x 8 x 10.5, for sleeves securing heater group (R. VII). | 1 | 483-S | Screw, hex. head, 7 x 15, for securing plate on cylinder head for thermometer bulb unit outlet (R. III). | 4 |
| DM 643-117 | Clip securing heater duct to rear seats. | 1 | DS 644-70 | Distance piece, 5.5 x 8 x 16, securing front and rear right-hand of heater group (R. VI). | 2 | 2.270-S | Screw, raised head countersunk, 4 x 14 for securing heater indicator plate (R. VI). | 3 |
| DM 643-119 | Plate holding heater duct to rear seats. | 1 | D 644-84 | Knob for lever (R. VI): - for ventilation and heater shutter. - for deflection shutter. | 3 2 | 2.466-S | Joint, fibre, 18.3 x 24 x 1 for thermometer bulb unit (R. VI). | 1 |
| | | | | | | 2.499-S | Screw, raised head countersunk, for securing plate holding duct (R. VI). | 2 |

284-DEMISTING-HEATING-VENTILATION (COLD CLIMATES)

| NUMBER | DESCRIPTION | No. OFF | NUMBER | DESCRIPTION | No. OFF | NUMBER | DESCRIPTION | No. OFF |
|------------|--|---------|---------|--|---------|---------|---|-----------------------|
| 2.548-S 30 | Screw, round head, 5 x 16.5, pointed (cruciform slot) for securing heater valve on body (R. VI). | 3 | 2.989-S | Collar, PC, with pin, 254 mm for securing water outlet pipe on valve. | 1 | 615.710 | Nut, clips, for 4.85 mm screws securing lower ventilation grille (R. VI). | 2 |
| 2.665-S | Screw, round head, 5 x 16, for securing lower ventilation grille (R. VI). | 2 | 89.114 | <i>Screw, hex. head, 5 x 25, for securing heater group on bracket (R. III). Replaced by 285-S 30.</i> | 3 | 618.745 | Rivet, Pop, for securing duct on air intake on wing (R. VI). | 8 |
| 2.668-S | Screw, round head, 3.5 x 10 for securing clip holding heater duct on engine housing plate (R. VI). | 4 | 89.149 | Screw, hex. head, 5 x 18, for securing upper ventilation grille (R. III). | 2 | 619.098 | Washer, 5.5 x 20 x 1, for screws securing heater group front and rear right-hand. (R. III). | 2 |
| 2.756-S | Screw, round head, 3.5 x 9.5 (cruciform slot) for duct (R. VI). | 1 | 233.400 | Rubber stop for ventilation shutter (R. IV). | 4 | 621.062 | <i>Screw, hex. head, 5 x 14 for securing (R. III):</i> - radiator bracket. - heater duct. - heater control. - ventilation duct. - guides for distribution shutter lever. <i>Replaced by 283-S 30.</i> | 4 2 2 2 4 |
| 2.854-S | Collar, PC, with pin, 208 mm long, for securing feed pipe on valve (R. VI). | 1 | 585.698 | Trunnion for shutter control cable (R. III). | 1 | | | |
| 2.876-S | Collar, for securing water outlet tube (R. VI). | 1 | 614.020 | Collar, ligarex, with screw for securing feed pipe on radiator (R. VI). | 1 | | | |
| 2.985-S | Collar, PC, with pin, for securing flexible duct, 438 mm long (R. VI). | 2 | 614.050 | Collar, ligarex, with screw for securing ducts on air intake side and insect grilles, 720 mm long (R. VI). | 4 | 804.104 | Rubber button for heater valve (R. IV). | 1 |

DEMISTING—HEATING—VENTILATION (COLD CLIMATES)—284C

| NUMBER | DESCRIPTION | No. OFF | NUMBER | DESCRIPTION | No. OFF | NUMBER | DESCRIPTION | No. OFF |
|--|---|---------|------------|--|---------|------------|--|---------|
| Since September 1964 DEFROSTING | | | | | | | | |
| DW 564-5 | Nozzle for de-misting windscreen (R. VI). | 1 | 621.509 | Screw, raised head countersunk, 3.5 x 15 (cruciform slot) for assembly of de-misting nozzle, with union (R. VI). | 2 | DW 642-15 | Disc with makr for heater valve opening (R. VI). | 1 |
| DW 564-6 | Nozzle for de-misting glass in front left-hand door (R. VI). | 1 | | | | DS 642-19 | Turbine (R. VI). | 1 |
| DW 564-6a | Nozzle for de-misting glass in front right-hand door (R. VI). | 1 | | | | DS 642-20 | Half shell, motor support, right-hand (R. VI). | 1 |
| DW 564-60 | Sealing between de-misting nozzle and dashboard, 185 mm long. | 1 | | | | DS 642-48 | Rear support for heating and ventilation group. | 1 |
| DW 564-65 | <i>Tube, flexible, 29 x 33.5 x 380 for lateral de-misting nozzle, left-hand (R. VI). Replaced by DW 564-65b; order in addition: 1-DW 564-71b.</i> | 1 | | | | DM 642-51a | Screw, round head, 4 x 16.5, for securing heater valve body on bracket. | 2 |
| DW 564-65a | <i>Tube, flexible, 29 x 33.5 x 730, for lateral de-misting nozzle, right-hand (R. VI). Replaced by DW 564-65c; order in addition: 1-DW 564-71c.</i> | 1 | D 564-80 | Clip securing flexible heating duct, front, right-hand, on engine housing panel. | 3 | DW 642-53 | Valve stop (R. VI). | 1 |
| DW 564-71 | Union for lateral de-misting nozzle, left-hand (R. VI). | 1 | D 565-58 | Bush, rubber, 12 x 20 x 17 x 6, for screws securing rear left-hand heater group on bracket (R. VI). | 1 | DS 642-63 | Half-shell for turbine, left-hand side (R. VI). | 1 |
| DW 564-71a | Union for de-misting nozzle, right-hand (R. VI). | 1 | D 564-104 | Bush, rubber, 8 x 20 x 8 for securing front and rear of heater group. | 4 | DS 642-71a | Plate with welded screw for support of water outlet tube. | 1 |
| DW 564-80 | Finisher for de-misting nozzle on dashboard, left-hand, 220 mm long. | 1 | D 565-115 | Washer, cupped, for bush securing rear heater group, left-hand (R. VI). | 1 | DS 642-73b | Support for water outlet tube. | 1 |
| DW 564-80a | Finisher for de-misting nozzle on dashboard, right-hand, 215 mm long. | 1 | DW 642-01a | Regulating valve for heater without button (R. VI). | 1 | DS 642-75 | Joint, oval, for flange of water outlet tube, 2 holes 5.5 at 38 mm centres (R. VI). | 1 |
| DW 564-84 | Duct, flexible, between distribution duct and windscreen nozzle, 75 mm diameter x 88 mm long (R. VI). | 1 | DS 642-02 | Heater and ventilation group, Ducellier (3.216 A) (R. VI). | 1 | DM 642-78 | Clip securing feed tube between valves and heater group radiator on dashboard (R. VI). | 1 |
| DW 564-114 | Union, 31 x 33 x 45 for flexible tube on lateral demisting nozzle, right-hand. | 1 | DS 642-011 | Heater radiator (R. VI). | 1 | DS 842-84d | Tube, flexible, for water return, 530 mm long. | 1 |
| 2.499-5 | Screw, round head, Parker, 3.5 x 9.5 for securing demisting nozzle on side glass (R. VI). | 2 | DS 642-012 | 12 volt motor (R. VI). | 1 | DM 642-85 | Tube, rubber, for feed between valve and heater group radiator. | 1 |
| 615.748 | Nut, clips, for screws, 3.5 for de-misting nozzle assembly, with union (R. VI). | 2 | DW 642-8 | Control indicator plate for ventilation, de-misting and heating (R. VI). | 1 | DM 642-93 | Body of button for operating the heater regulating valve (R. VI). | 1 |
| | | | DS 642-9 | Tube for heater intake. | 1 | | | |
| | | | DW 642-14 | Indicator plate for regulating heating (R. VI). | 1 | | | |

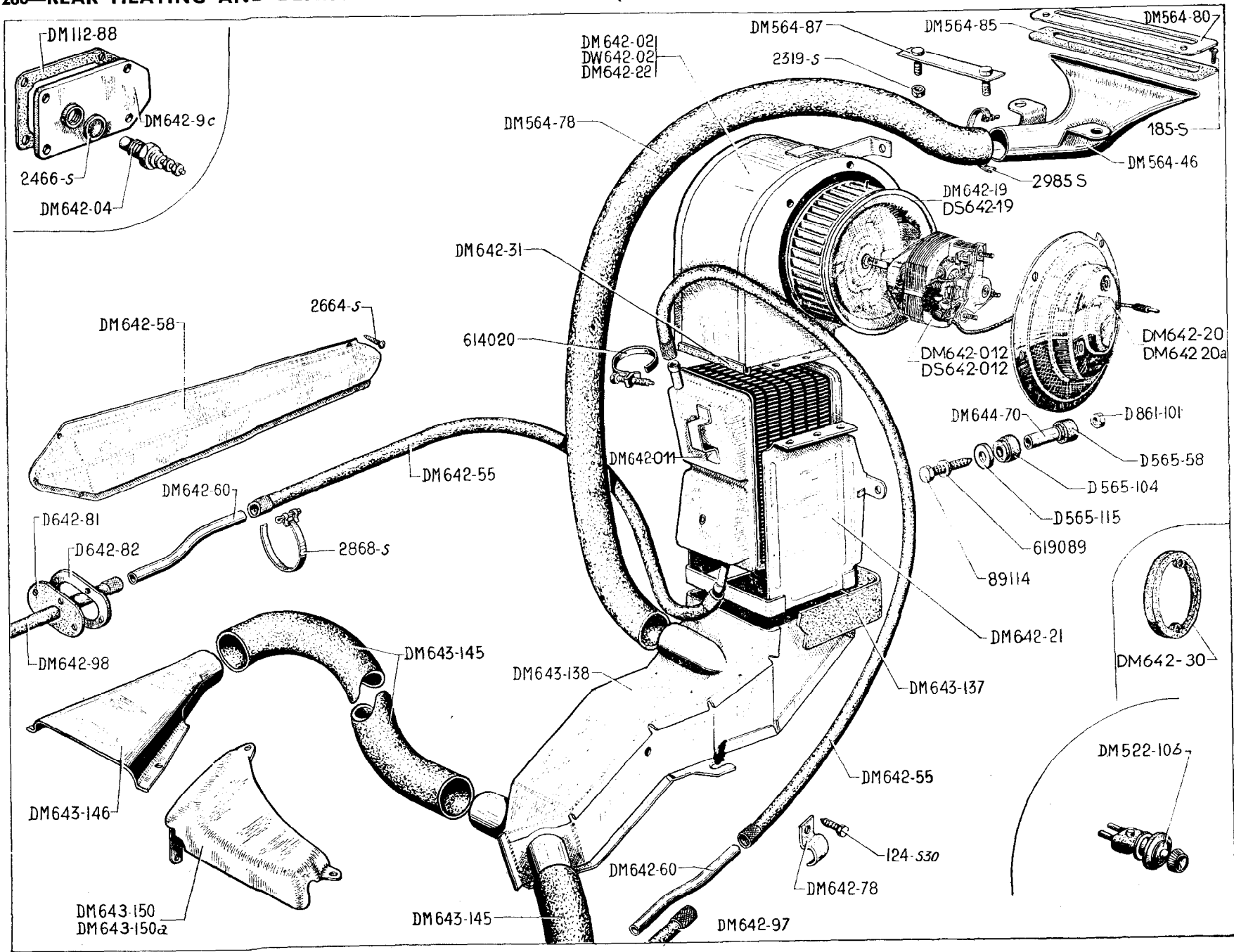
284D-DEMISTING-HEATING-VENTILATION (COLD CLIMATES)

| NUMBER | DESCRIPTION | No. OFF | NUMBER | DESCRIPTION | No. OFF | NUMBER | DESCRIPTION | No. OFF |
|------------|---|---------|-------------|--|---------|------------|---|---------|
| DS 642-96 | Tube, flexible, for hot water outlet. | 1 | DS 643-67 | Clip forming collar for securing heater duct, right-hand with welded screw. | 1 | DM 644-70 | Distance piece, 5.5 x 8 x 10.5 for bush securing rear left-hand heater group on bracket (R. VI). | 1 |
| DM 642-100 | Washer, rubber, insulating heater valve, 100 mm diameter x 4 mm thick (R. VI). | 1 | DM 643-82a | Duct, flexible, for front heater, right-hand side, 1,150 mm long (R. VI). | 1 | DS 644-70 | Distance piece, 5.5 x 8 x 16, for screws securing front and rear right-hand of heater group (R. VI). | 2 |
| DS 642-104 | Spring securing upper radiator of heater group (R. VI). | 1 | D 643-89 | Sealing strip between distribution duct and dashboard, upper part, 590 mm long (R. VI). | As nec. | DW 644-72 | Control cable for ventilation shutter, 225 mm long (R. VI). | 2 |
| DW 643-02b | Ventilation grille on ventilation duct (R. VI). | 2 | DS 643-103 | Duct, flexible, for feed of air for ventilation, right and left-hand, 840 mm long (R. VI). | 2 | DM 644-84 | Control cable for heating distribution shutter, 765 mm long (R. VI). | 1 |
| DS 643-2 | Distribution duct for hot air with shutter control. | 1 | DW 643-115 | Heating intake for rear seats on distribution duct. | 1 | DW 644-84 | Knob for control levers of heating shutter (R. VI). | 2 |
| DS 643-5 | Duct, flexible, between heater group and ventilation duct, left-hand. | 1 | DM 643-116 | Duct, flexible, for heating to rear seats, 45 mm diameter x 1500 mm long (R. VI). | 1 | DW 644-87 | Control lever for ventilation shutters on duct. | 4 |
| DS 643-6 | Duct, between feed duct and ventilation duct, right-hand (R. VI). | 1 | DM 643-117a | Clip supporting heating duct to rear seats. | 1 | DW 644-92 | Control button for ventilation control levers on instrument panel (R. VI). | 4 |
| DM 643-11a | Ventilation grille on dashboard, left-hand side, L.H. steering. | 1 | DW 643-119 | Plate supporting heating duct. | 1 | DM 644-94 | Control cable for heating shutters, 685 mm long (R. VI). | 1 |
| DM 643-11b | Ventilation grille on dashboard, right-hand side, R.H. steering. | 1 | DM 643-134 | Hot air nozzle on distribution duct, left-hand side (arrangement with rear heating unit). | 1 | DW 644-119 | Push button for controlling ventilation shutters on duct (R. VI). | 4 |
| DS 643-17c | Ventilation duct, left-hand. | 1 | DW 644-02 | Ventilation shutter, upper, in duct. | 2 | 494-S | Screw, hex. head, 7 x 42, for securing heater intake tube (R. III). | 2 |
| DW 643-17b | Ventilation duct, right-hand. | 1 | DW 644-2 | Ventilation shutter, lower, under duct. | 2 | 2.270-S | Screw, raised head countersunk, 4 x 14, for securing heater indicator plate (R. VI). | 3 |
| DS 643-19 | Insect grille on air intake duct on front wing. | 2 | DW 644-17 | Control for heating shutter. | 1 | 2.499-S | Screw, raised head countersunk, 3.5 x 9.5 (cruciform slot) for securing plate holding duct (R. VI). | 2 |
| DS 643-50 | Clip forming collar with welded nuts for securing ventilation duct on front wing, right-hand. | 1 | DW 644-18 | Control for distribution of heating. | 1 | 2.548-S 30 | Screw, round head, 5 x 16.5 pointed, for securing (R. VI): - heater valve. - ventilation ducts. | 3 2 |
| DS 643-52 | Duct, flexible, between radiator of heater group and distribution duct. | 1 | DW 644-55 | Spring, 5.5 x 20, for button on control lever of shutters for ventilation on duct. | 4 | 2.659 | Screw, hex. head, 5 x 13, for securing control cable of shutter (R. III). Replaced by 283-S. | 2 |
| DS 643-53a | Clip securing feed duct on front wing, right-hand side. | 1 | DM 644-61a | Heater shutter on distribution duct, front, hot air. | 1 | 2.668-E | Screw, round head, 3.5 x 10, for securing clip on heater duct on engine housing panel (R. VI). | 4 |
| DS 643-57 | Duct, (metal), for air intake on front wing, right and left-hand. | 2 | | | | | | |

DEMISTING-HEATING-VENTILATION (COLD CLIMATES)-285

| NUMBER | DESCRIPTION | No. OFF | NUMBER | DESCRIPTION | No. OFF | NUMBER | DESCRIPTION | No. OFF |
|---------|---|---------|---------|---|---------|---------|---|---------|
| 2.756-S | Screw, round head, 3.5 x 9.5 (cruciform slot) securing clip on heater duct to rear seats (R. VI). | 1 | 89.114 | Screw, hex. head, 5 x 25. for securing heater group on bracket (R. III). | 3 | 619.089 | Washer, 5.5 x 20 x 1. for screws securing front and rear right-hand of heater group (R. III). | 2 |
| 2.876-S | Collar securing water outlet tube 287 mm long (R. VI). | 1 | 233.400 | Rubber stop for ventilation shutter (R. VI). | 4 | 619.811 | Clips securing the control lever buttons for ventilation on instrument panel (R. VI). | 4 |
| 2.985-S | Collar securing heating duct to rear seats, 438 mm long (R. VI). | 2 | 585.698 | Trunnion for control cable of shutter (R. III). | 2 | 621.062 | Screw, hex. head, 5 x 14 for securing (R. III): | |
| 2.989-S | Collar securing outlet and feed pipes on valve, 245 mm long (R. VI). | 2 | 614.020 | Collar securing water return tube, 113 mm long (R. VI). | 1 | | - clip for duct on front wing right-hand. | 3 |
| 3.016-S | Collar securing flexible duct between radiator and distribution duct, 870 mm long (R. VI). | 1 | 614.050 | Collar, ligarex, for screws securing ducts, air intake side and insect grille, 720 mm long (R. VI). | 4 | | - distribution duct. | 2 |
| | | | 618.745 | Rivet, Pop, for securing duct for air intake on wing (R. VI). | 8 | 621.072 | - shutter controls. | 4 |
| | | | | | | | - ventilation ducts. | 2 |
| | | | | | | 621.515 | Screw, hex. head, 5 x 16, for securing rear bracket of heater group (R. III). | 4 |
| | | | | | | 621.515 | Screw, Parker, securing the ventilation grille on instrument panel (R. VI). | 2 |
| | | | | | | 804.104 | Button, rubber, for operating the heater valve (R. IV). | 1 |

286—REAR HEATING AND DEMISTING OF REAR WINDOW (COLD CLIMATES)



REAR HEATING AND DEMISTING OF REAR WINDOW -287

| NUMBER | DESCRIPTION | No. OFF | NUMBER | DESCRIPTION | No. OFF | NUMBER | DESCRIPTION | No. OFF |
|------------------|--|---------|-------------------|---|---------|-------------------|---|---------|
| | COLD CLIMATES Until September 1964 | | | | | | | |
| | ALL TYPES Since September 1964 | | | | | | | |
| <u>HY 642-02</u> | Heater group, rear, Ducellier, (3218A) (R. VI). Since February 1965. | 1 | D 565-58 | Shouldered bush, rubber, 12 x 20 x 17 x 6, for screws securing heater group (R. VI). Until February 1965. | 3 | <u>DS 642-20</u> | Half bearing, motor support, (R. VI). Since February 1965. | 1 |
| <u>HY 642-23</u> | Half bearing, turbine side, (R. VI). Since February 1965. | 1 | D 565-104 | Bush, rubber, 8 x 20 x 8, for screws securing heater group. - Until February 1965. - Since February 1965. | 3 6 | DM 642-21 | Box support for heater radiator (R. VI). Until February 1965. | 1 |
| DM 112-88 | Joint for closing plate (R. VI). | 1 | D 565-115 | Washer, cupped, for bush securing heater group (R. VI). Until February 1965. | 3 | DM 642-22 | Turbine volute for heater group (R. VI). Until February 1965. | 1 |
| DM 522-10b | Switch for rear heater group on instrument board. (R. VI). Until September 1964. | 1 | DM 642-02 | <i>Heater and de-misting group, rear, Ducellier (3215 A) (R. VI). Until January 1962. Replaced by: DW 642-02.</i> | 1 | DM 642-30 | Thrust plate for motor of heater group (R. VI). Until January 1962. | 1 |
| DW 522-10 | Switch for rear heater group (R. VI). Since September 1964. | 1 | DW 642-02 | Heater group, rear, Ducellier, motor held by three screws (3.215B) (R. VI). January 1962 - February 1965. | 1 | DM 642-31 | Joint, rubber, between box and volute on heater group (R. VI). Until February 1965. | 4 |
| DM 564-46 | De-misting nozzle on rear window (R. VI). | 1 | DM 642-04 | Thermometer bulb unit (R. VI). | 1 | DM 642-54 | <i>Tube, rubber, front, 13.5 x 21, for water return of rear heater group, 3,040 mm long. Until August 1961. Replaced by: DM 642-97.</i> | 1 |
| DM 564-78 | Duct, flexible, between rear distribution duct and de-misting nozzle for rear window, 1,020 mm long (R. VI). | 1 | DM 642-011 | Radiator for heater group (R. VI). Until February 1965. | 1 | DM 642-55 | Tube, rubber, rear, 13.5 x 21, for water return on heater group rear, 1,550 mm long. | 2 |
| DM 564-80 | Finishing trim for de-misting nozzle on rear window (R. VI). | 1 | <u>DS 642-011</u> | Radiator for heater group (R. VI). Since February 1965. | 1 | DM 642-58 | Protector for rubber tubes, feed and water return on rear group. | 2 |
| DM 564-85 | Sealing joint, rubber, between de-misting nozzle and rear window, 200 mm long (R. VI). | 1 | DM 642-012 | Motor, 12 volt, for heater group (R. VI). Until January 1962. | 1 | DM 642-60 | Tube, 12.5 x 14, elbowed, connecting feed tubes (R. VI). | 2 |
| DM 564-87 | Reinforcement for securing de-misting nozzle for rear window, 2 welded screws at 68 mm centres (R. VI). | 1 | DS 642-012 | Motor, 12 volt, held by three screws (R. VI). Since January 1962. | 1 | DM 642-78 | Clip securing water return tube on distribution duct and access cover (R. VI). | 5 |
| | | | DM 642-9c | Plate on cylinder head with welded nut for securing thermometer bulb unit. | 1 | D 642-81 | Sealing plate, rubber, on engine housing panel. | 2 |
| | | | DM 642-19 | Turbine for heater group (R. VI). Until January 1962. | 1 | D 642-82 | Counterplate for securing sealing plate. | 2 |
| | | | DS 642-19 | Turbine (R. VI). Since January 1962. | 1 | DM 642-97 | Tube, rubber, front, 13.5 x 21, for water return on rear group, 304 mm long. Since August 1961. | 1 |
| | | | DM 642-20 | Motor support for heater group (R. VI). Until January 1962. | 1 | DM 642-98 | Tube, rubber, front, 13.5 x 21, for rear heater group feed, 3,380 mm long. | 1 |
| | | | DM 642-20a | Support for motor held by three screws (R. VI). January 1962 - February 1965. | 1 | <u>DS 642-104</u> | Spring for upper fixing of radiator group (R. VI). Since February 1965. | 1 |

The numbers underlined indicate new parts which do not appear on the illustration.

REAR HEATING AND DEMISTING OF REAR WINDOW-287A

| NUMBER | DESCRIPTION | No. OFF | NUMBER | DESCRIPTION | No. OFF | NUMBER | DESCRIPTION | No. OFF |
|-------------|--|---------|-----------|--|---------|---------|---|---------|
| DM 643-137 | Rubber duct between rear heater group and distribution duct, rear, 395 mm. | 1 | D 861-101 | Nut, hex., 5.75, for screws securing rear heater group. | 3 | 2.466-S | Joint, fibre, 18.3 x 24 x 1, for thermometer bulb unit (R. VI). | 1 |
| DM 643-138 | Rear distribution duct complete for heating and de-misting. | 1 | 124-S-30 | Screw, round head, 5 x 12.5, for securing clips holding rubber tubes on rear distribution ducts (R. III). | 2 | 2.664-S | Screw, round head, Parker, 3.5 x 20 (R. VI) for securing: - the protectors of the rubber tubes on side member. | 8 |
| DM 643-145 | Flexible heater duct to rear seats (R. VI). | 2 | 185-S | Screw, raised head countersunk, 5 x 15, for securing trim on rear de-misting nozzle (R. III). | 2 | | - the nozzles and the protectors of the nozzles. | 10 |
| DM 643-146 | Warm air nozzle to rear seats. | 2 | 298-S-30 | Screw, hex. head, 5 x 35, for securing group on rib. Since February 1965. | 3 | 2.868-S | Clip securing the rubber tubes on the connecting tubes, 200 mm long (R. VI). | 4 |
| DM 643-150 | Protector, left-hand, for heater nozzle to rear seats (R. VI). | 1 | 2.319-S | Nut, hex., 5 x 75 (R. III) for securing: - de-misting nozzle on rear window. - finishing trim on nozzle. | 2 | 2.985-S | Clip, securing the duct on the rear de-misting nozzle, 438 mm long (R. VI). | 1 |
| DM 643-150a | Protector, right-hand, for hot air nozzle to rear seats (R. VI). | 1 | | | 2 | 89.114 | Screw, hex. head, 5 x 25, for securing the heater group on rib. Until February 1965. | 3 |
| DM 644-70 | Distance piece, 5.5 x 8 x 10.5, for bush securing heater group. Until February 1965. | 3 | 2.334-S | Washer, shakeproof, 5.2 x 9.4, for screws securing heater group. (R. VI). Since February 1965. | 3 | 614.020 | Collar, ligarex, for screws securing rubber tubes on heater group (R. VI). | 2 |
| DS 644-70 | Distance piece, 5.5 x 8 x 16, for bush securing heater group (R. VI). Since February 1965. | 3 | | | | 619.089 | Washer, 5.5 x 20 x 1, for screws securing heater group (R. III). | 3 |

288—REAR VENTILATION BERLINE WITH PARTITION

| NUMBER | DESCRIPTION | No. OFF |
|----------------------|--|---------|
| SPECIAL PARTS | | |
| D 64-2 | Ducellier apparatus, 6 volts (R. VI). | 1 |
| D 643-135 | Nozzle without grille (R. VI). | 2 |
| D 643-144 | Nozzle for air intake (R. VI). <i>No longer supplied.</i> | 1 |
| D 642-18 | Motor housing (R. VI). <i>No longer supplied.</i> | 1 |
| D 643-112 | Collar for securing the ducts (R. VI). | As nec. |

| NUMBER | DESCRIPTION | No. OFF |
|-----------|--|---------|
| D 643-113 | Collar for securing ducts (R. VI). | As nec. |
| D 522-13b | Switch for ventilation motor (R. VI). | 1 |
| D 643-115 | Duct between motor and union (R. VI). <i>No longer supplied.</i> | 1 |
| D 643-137 | Duct to nozzle support (R. VI). <i>No longer supplied.</i> | 1 |
| D 64-1a | 6 volt motor (R. VI). <i>No longer supplied.</i> | 1 |

| NUMBER | DESCRIPTION | No. OFF |
|-----------|---|---------|
| D 64-1 | 12 volt motor (R. VI). | 1 |
| D 643-149 | <i>Protector for piping, left-hand (R. VI). No longer supplied.</i> | 1 |
| D 643-138 | <i>Union, forked (R. VI). No longer supplied.</i> | 1 |
| D 642-17a | Resistance for 6 volt motor (R. VI). | 1 |
| D 642-17 | Resistance for 12 volt motor (R. VI). | 1 |
| D 642-52 | <i>Support for motor (R. VI). No longer supplied.</i> | 1 |

FRONT VENTILATION

| NUMBER | DESCRIPTION | No. OFF |
|--|--|---------|
| VENTILATION BY BOOSTER—RIGHT-HAND Right-hand Steering Since January 1963 Left-hand Steering Since February 1965 | | |
| DM 522-10b | Switch for booster, on instrument panel (R. VI). | 1 |

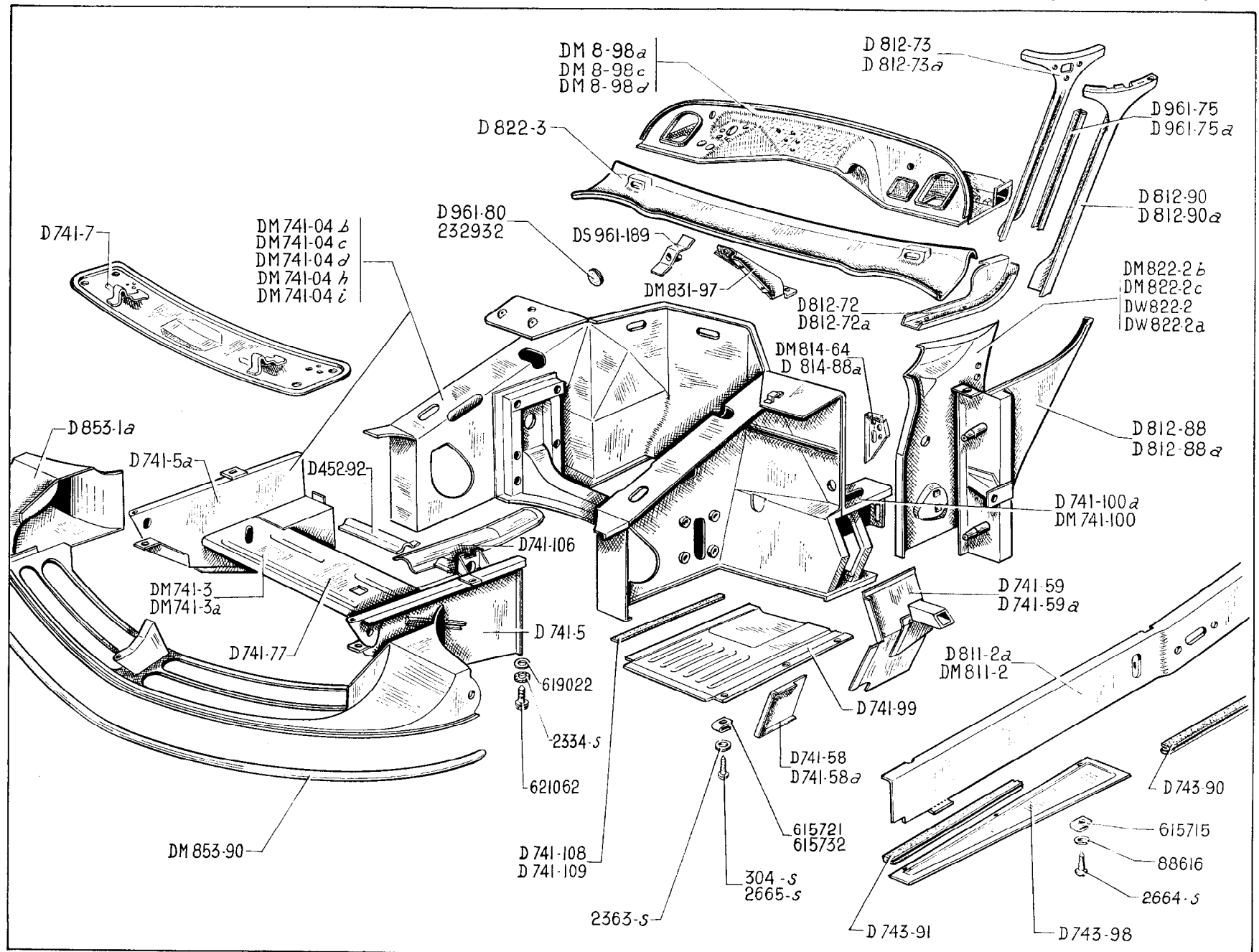
| NUMBER | DESCRIPTION | No. OFF |
|------------|-----------------------------------|---------|
| DM 641-20 | Half shell motor side (R. VI). | 1 |
| DM 641-21 | Half shell, turbine side (R. VI). | 1 |
| DM 641-012 | 12 volt motor (R. VI). | 1 |
| DM 641-0 | Air booster, Ducellier (R. VI). | 1 |

| NUMBER | DESCRIPTION | No. OFF |
|-----------|---|---------|
| 2.334-S | Washer, shakeproof, 5.2 x 9.4, for screws securing booster on body (R. VI). | 3 |
| DM 641-22 | Support (R. VI). | 1 |
| DM 641-19 | Turbine (R. VI). | 1 |
| 295-S 30 | Screw, hex. head, pointed, 5 x 16, for securing booster on body (R. III). | 3 |

| NUMBER | DESCRIPTION | No. OFF | NUMBER | DESCRIPTION | No. OFF | NUMBER | DESCRIPTION | No. OFF |
|--------------------------|---|---------|------------|--|---------|--------------|--|---------|
| WHEEL ACCESSORIES | | | DM 416-80c | Balance weight for wheel, weight 36.5 g (R. VI). Since October 1962. | As nec. | TOOLS | | |
| DS 622-7 | Stand for changing wheel. | 1 | DM 416-80d | Balance weight for wheel, weight 46.5 g (R. VI). Since October 1962. No longer supplied. | As nec. | DS 251-2 | Starting handle spindle, with pin. June 1957 - March 1962. | 1 |
| DS 622-55 | Spanner for stand, with embellisher remover. Replaced by DX 622-55. | 1 | DM 416-80c | Balance weight for wheel, weight 56.5 g (R. VI). Since October 1962. | As nec. | DS 251-2a | Starting handle spindle, with pin. Since March 1962. | 1 |
| DS 623-0 | Jack (R. VI). Cabriolet. | 1 | DX 251-80 | Clip for starting handle. Since July 1965. | 1 | DS 625-96a | Strap retaining oil can. Until September 1962. | 1 |
| DS 621-3 | Tool for removing wheel embellisher. | 1 | DM 854-3 | Protector, for wheel screw. - NORMALE. - LUXE. Until October 1958. | 4 4 | DS 621-1 | Spanner for sparking plug (R. VI). | 1 |
| D 622-106 | Disc on stand spanner (R. VI). | 1 | DM 854-90 | Spring securing wheel protector. - NORMALE. - LUXE. Until October 1958. | 4 4 | 621.951 | Ring spanner, 12 x 14 (R. VI). | 1 |
| DM 416-98 | Clip retaining wheel embellisher. LUXE. October 1958 - February 1963. | 15 | 392.632 | Spring for wheel balance weight (R. VI). Until January 1962. No longer supplied. | As nec. | 650.139 | Spanner, closed end 12 sided (R. VI). | 1 |
| DM 854-3a | Wheel embellisher, 192 mm diameter. LUXE. October 1958 - February 1963. | 4 | DM 416-85 | Spring for wheel balance weight (R. VI). Since October 1962. | As nec. | 650.147 | Spanner, double ended, 8 x 10 (R. VI). | 1 |
| DM 854-3b | Wheel embellisher, 192 mm diameter. Since February 1963. | 4 | D 622-4 | Strap securing spare wheel. Until September 1962. Replaced by: DS 622-4 | 1 | 650.232 | Spanner, double ended 7 x 9 (R. VI). | 1 |
| 392.630 | Balance weight, for wheel, 35 mm long (R. VI). Until January 1962. Replaced by: DS 416-80e. | As nec. | DS 622-4 | Strap securing spare wheel. Since September 1962. | 1 | D 251-1 | Starting handle. (R. VI). | 1 |
| 392.631 | Balance weight, for wheel, 55 mm long (R. VI). Until January 1962. Replaced by: 416-80b. | As nec. | D 622-6 | Strap fixed securing spare wheel. | 1 | DS 251-4c | Extension for starting handle. BERLINE. September 1962 - October 1963. Replaced by: DS 251-4e. | 1 |
| DS 416-80a | Balance weight for wheel, weight 20 g (R. VI). Until October 1962. | As nec. | DS 622-99 | Support, rear, for spare wheel. Until September 1962. | 1 | DS 251-4e | Extension for starting handle. Since October 1963. Replaces types supplied. Until September 1962. Order in addition: 1-DS 251-101. | 1 |
| DS 416-80b | Balance weight for wheel, weight 30 g (R. VI). January 1962 - October 1962. | As nec. | DS 622-97c | Support, rear, for spare wheel. Since September 1962. | 1 | DS 251-101 | Bracket for starting handle. September 1962 - July 1965. | 1 |
| DS 416-80c | Balance weight for wheel, weight 40 g (R. VI). January 1962 - October 1962. | As nec. | 483-S | Screw, hex. head, 7 diameter x 15 long, securing support for spare wheel | 2 | DX 251-101 | Bracket for starting handle. Since July 1965. | 1 |
| DS 416-80e | Balance weight for wheel, weight 60 g (R. VI). January 1962 - October 1962. No longer supplied. | As nec. | | | | 650.137 | Screwdriver (R. VI). | 1 |
| DM 416-80a | Balance weight for wheel, weight 16.5 g (R. VI). Since October 1962. | As nec. | | | | | | |
| DM 416-80b | Balance weight for wheel, weight 26.5 g (R. VI). Since October 1962. | As nec. | | | | | | |

290—BODY WORK

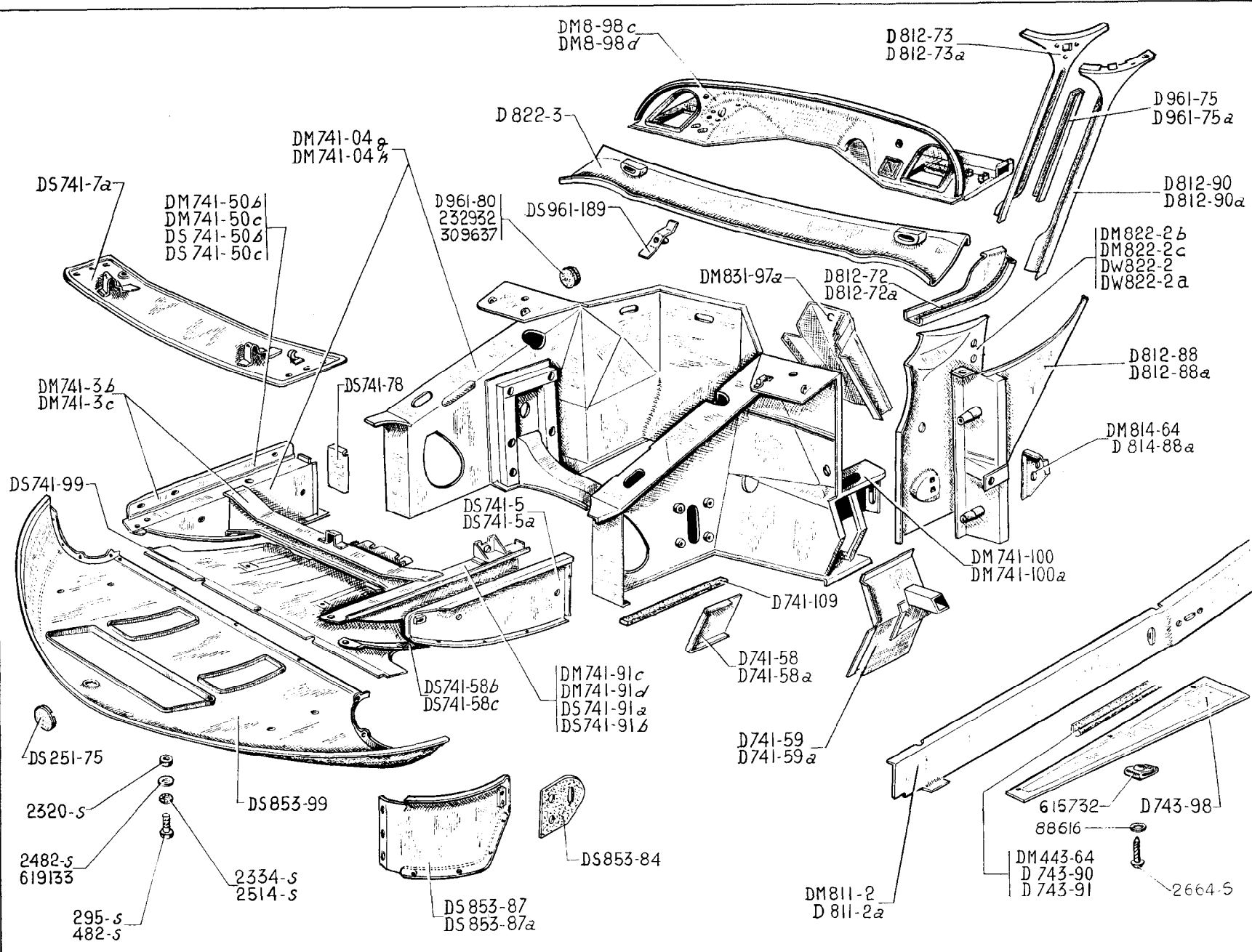
| NUMBER | CHARACTERISTICS | TYPE | REMARKS |
|----------|---|-----------|--|
| | NOTE: The bodies are supplied without side doors, boot door, bonnet, roof or front and rear wings. | | |
| DM 8-05 | Body, gear control bracket on left-hand side. Left-hand steering. | BERLINE | Until August 1961. For assembly until May 1958; order in addition: 2-DS 412-86, 2-DS 443-71, 2-DS 443-88. For assembly May 1958 - October 1959; order in addition: 2-DS 412-86. |
| DM 8-05b | Body, gear control support on right-hand side. Right-hand steering. | BERLINE | Until August 1961. For assembly until October 1959; order in addition: 1-DS 412-86. |
| DM 8-05h | Body, gear control support on left-hand side, 1 hole 90 x 70 for passage of power brake on left-hand side of engine housing. Left-hand steering. | BERLINE | August 1961 - September 1962. |
| DM 8-05r | Body, gear control support on left-hand side, 1 hole 90 x 70, for passage of power brake on left-hand side of engine housing with housing panel for damper in central part. Left-hand steering. | CABRIOLET | Until September 1962. |
| DM 8-05s | <i>Body, gear control support on right-hand side, 1 hole 70 x 50, for passage of power brake on right-hand side of engine housing. Right-hand steering.</i> | BERLINE | <i>August 1961 - September 1962. No longer supplied.</i> |
| DM 8-05t | Body, fixing for exhaust silencer under front seats. Left-hand steering. | BERLINE | September 1962 - September 1964. |
| DM 8-05u | Body, fixing for exhaust silencer under front seats. Right-hand steering. | BERLINE | September 1962 - September 1964. |
| DM 8-05v | Body, fixing for exhaust silencer under front seats. Left-hand steering. | CABRIOLET | September 1962 - September 1964. |
| DM 8-05w | Body, centre, distance of windscreen wiper spindles 556 mm. Left-hand steering. | BERLINE | September 1964 - July 1965. |
| DM 8-05x | Body, centre, distance of windscreen wiper spindles 556 mm. Right-hand steering. | BERLINE | September 1964 - July 1965. |
| DM 8-05y | Body, centre, distance of windscreen wiper spindles 556 mm. Left-hand steering. | CABRIOLET | Since September 1964. |
| DS 8-05c | Body, 2 slots, 52 mm on left-hand sidemember. L. H. steering. | BERLINE | Since July 1965. |
| DS 8-05u | Body, 1 slot, 80 mm on right-hand sidemember. R. H. steering. | BERLINE | Since July 1965. |



| NUMBER | DESCRIPTION | No. OFF | NUMBER | DESCRIPTION | No. OFF | NUMBER | DESCRIPTION | No. OFF |
|------------|---|---------|------------|--|---------|-----------|---|---------|
| | Until September 1962 | | | | | | | |
| DM 8-98a | <i>Upper panel, with scuttle shelf and cross piece. Right-hand steering. Until August 1961. No longer supplied.</i> | 1 | DM 741-04i | Front unit for caisson, with bracket for gear change control, 1 hole 70 x 50 for passage of power brake on right-hand side of engine housing. BERLINE. Right-hand steering. Since August 1961. | 1 | D 741-109 | Felt packing, 435 x 15 x 4, for closing panel of front part of front unit. | 4 |
| DM 8-98c | Upper panel, with scuttle shelf and cross piece, 2 screws securing accelerator relay control. Left-hand steering. | 1 | DM 741-3 | Front part of front unit for caisson, with bracket for gear change control. Left-hand steering. | 1 | D 743-90 | Rubber strip, holding closing plate on sidemember (1.860 mm long). | 2 |
| DM 8-98d | <i>Upper panel with scuttle shelf and cross piece, 2 screws securing accelerator relay control. Right-hand steering. Since August 1961. No longer supplied.</i> | 1 | DM 741-3a | Front part of front unit for caisson, with bracket for gear change control. Right-hand steering. | 1 | D 743-91 | Rubber strip, for closing plate of sidemember of centre unit (950 mm long) (R. VI). | 4 |
| D 452-92 | Crossmember supporting brake cooling ducts. | 2 | D 741-5 | Sidemember, front, of front unit, left-hand. | 1 | D 743-98 | <i>Closing panel, detachable, for sidemember of centre unit (954 mm long). Replaced by DM 743-98.</i> | 4 |
| DM 741-04b | Front unit, for caisson, with bracket for gear change control. BERLINE. Left-hand steering. Until August 1961. - for assembly until May 1958; order in addition: 2-DS 443-71, 2-DS 443-88, 2-DS 412-86. - For assembly May 1958 - October 1959; order in addition: 2-DS 412-86. | 1 | D 741-5a | Sidemember, front, of front unit, right-hand. | 1 | D 811-2a | Sidemember for bottom of body, right-hand. | 1 |
| DM 741-04c | <i>Front unit for caisson, with bracket for gear change control. BERLINE. Right-hand steering. Until August 1961. - for assembly until October 1959; order in addition: 1-DS 412-86. No longer supplied.</i> | 1 | D 741-7 | Crossmember front, for spare wheel. | 1 | DM 811-2 | Sidemember, for bottom of body, left-hand. | 1 |
| DM 741-04d | Front unit for caisson, with bracket for gear change control, 1 hole 90 x 70 for passage of power brake on left-hand side of engine housing. BERLINE. Left-hand steering. Since August 1961. | 1 | D 741-58 | Closing panel, for front unit and front body siderail, left-hand. | 1 | D 812-72 | <i>Closing panel, upper, for front pillar, left-hand. Replaced by: DS 812-72.</i> | 1 |
| DM 741-04h | Front unit for caisson, with bracket for gear change control, 1 hole 90 x 70 for passage of power brake on left-hand side with housing panel for damper in the centre part. Left-hand steering. CABRIOLET. | 1 | D 741-58a | Closing panel, for front unit and front body siderail, right-hand. | 1 | D 812-72a | <i>Closing panel, upper, for front pillar, right-hand. Replaced by: DS 812-72a.</i> | 1 |
| | | | D 741-59 | Closing panel, lateral, for front sidemember, left-hand. | 1 | D 812-73 | Closing panel, inner, for front pillar, (upper part of body), left-hand. | 1 |
| | | | D 741-59a | Closing panel, lateral, for front sidemember, right-hand. | 1 | D 812-73a | Closing panel, inner, for front pillar, (upper part of body), right-hand. | 1 |
| | | | D 741-77 | Crossmember, front, for front unit, with yokes. | 1 | D 812-88 | Front pillar, (lower part of body), left-hand. | 1 |
| | | | D 741-99 | Closing panel, only, for front part of front unit. | 2 | D 812-88a | Front pillar, (lower part of body), right-hand. | 1 |
| | | | D 741-100a | Front sidemember, upper angle plate, for fixing heater duct and reinforcement, right-hand. | 1 | D 812-90 | Front pillar, (upper part of body), left-hand. | 1 |
| | | | DM 741-100 | <i>Front sidemember, left-hand. Replaced by DS 741-100.</i> | 1 | D 812-90a | Front pillar, (upper part of body), right-hand. | 1 |
| | | | D 741-106 | Connecting piece, between front and centre crossmembers of front unit. | 1 | DM 814-64 | Gusset, lower, for front pillar, with hole for passage of electrical wiring, left-hand. | 1 |
| | | | D 741-108 | Felt packing, 240 x 15 x 4, for closing panel of front of front unit. | 2 | D 814-88a | Gusset, lower, for front pillar, right-hand. | 1 |

BODY UNITS (FRONT PARTS)—295

| NUMBER | DESCRIPTION | No. OFF | NUMBER | DESCRIPTION | No. OFF | NUMBER | DESCRIPTION | No. OFF |
|-----------|---|---------|------------|--|----------|---------|---|----------|
| DM 822-2b | <i>Side panel for scuttle, left-hand. Right-hand steering. Replaced by: DS 822-2d.</i> | 1 | D 961-75a | Surround, lateral, right-hand, for windscreen. | 1 | 88.616 | Washer, 4.2 x 12 x 0.8 for screw, securing closing panel on sidemember of centre unit (R. III). | 12 |
| DM 822-2c | <i>Side panel for scuttle, right-hand. Right-hand steering. Replaced by: DS 822-2e.</i> | 1 | D 961-80 | Closing plug, round, 42 mm diameter for sealing body. | 2 | 232.932 | Grommet for sealing body. | 8 |
| DW 822-2 | <i>Side panel for scuttle, with swivelling bracket, for handbrake, left-hand. Left-hand steering. Replaced by: DW 822-2b.</i> | 1 | DS 961-189 | <i>Reinforcement, central, for windscreen surround, on scuttle dome. Replaced by DS 961-189a.</i> | 1 | 615.715 | Nut clip, for 3.5 mm diameter screw securing closing panel for sidemember of centre unit (R. VI). | 12 |
| DW 822-2a | <i>Side panel for scuttle, with welded plates, right-hand. Left-hand steering. Replaced by DW 822-2c.</i> | 1 | 304-S | Screw, hex. head, 6 diameter x 16 long, securing closing panels for the front part. Since March 1961. | 12 | 615.721 | Nut clip for 4.85 mm diameter screw securing closing panel for the front part of the front unit (R. VI). Until March 1961. | 6 |
| D 822-3 | Scuttle dome. | 1 | 2.334-S | Washer, shakeproof, 5.2 x 9.4 (R. VI). for screw securing: - covering strip. - valance. | 11 18 | 615.732 | Nut clip securing closing panels, for the front part. Since March 1961. | 12 |
| DM 831-97 | <i>Panel for accelerator pedal. Left-hand steering. Since August 1961. No longer supplied.</i> | 1 | 2.363-S | Washer, plain, 6.5 x 14, for screw securing closing panels, for the front part of the front unit (R. III). | 12 | 619.022 | Washer, 5 x 14 x 1 for screw securing covering strip and valance. | 30 |
| D 853-1a | Valance for front part of caisson. | 1 | 2.664-S | <i>Screw, round head, 3.5 diameter x 20 long, securing closing panels for sidemember centre unit. Replaced by 2.264-S (R. VI).</i> | 12 | 621.062 | <i>Screw, hex. head, 5 diameter x 14 long securing: - covering strip on valance. - valance. Replaced by 283-S 30.</i> | 11 18 |
| DM 853-90 | Covering strip for front edge of valance, for front part of caisson. | 1 | 2.665-S | Screw, P.K. diameter x 16 long, securing closing panels for front part of front unit (R. VI). Until March 1961. | 6 | | | |
| D 961-75 | Surround, lateral, left-hand, for windscreen. | 1 | | | | | | |



296—BODY UNITS (FRONT PARTS)

| NUMBER | DESCRIPTION | No. OFF | NUMBER | DESCRIPTION | No. OFF | NUMBER | DESCRIPTION | No. OFF |
|--------------------|---|---------|-------------------|---|---------|------------------|---|---------|
| | Since September 1962 | | | | | | | |
| DM 8-98c | Upper panel with scuttle shelf and cross piece, 4 welded screws in the central part, hole for passage of steering 180 mm, hole 40 mm on left-hand side. L. H. steering. Until September 1964. | 1 | DM 741-04k | Front unit of caisson with intermediate crossmember and support for gear change control bearing. R. H. steering. Until July 1965. | 1 | <u>DX 741-5</u> | Front sidemember of front unit, right-hand. Since July 1965. | 1 |
| DM 8-98d | <i>Upper panel with scuttle shelf and cross piece, 2 screws securing accelerator reply control. R. H. steering. Until September 1964. No longer supplied.</i> | 1 | <u>DS 741-04g</u> | Front unit of caisson with intermediate crossmember, without support for bearing, gusset between scuttle and sidemember, reinforced. 1 slot of 80 mm on right-hand sidemember. R. H. steering. Since July 1965. | 1 | DS 741-7a | Front crossmember for spare wheel and support for starting handle. Until September 1964. Replaced by DX 741-7. | 1 |
| DM 8-98f | Upper panel with scuttle shelf and cross piece. L. H. steering. September 1964 - July 1965. | 1 | <u>DS 741-04h</u> | Front unit of caisson with intermediate crossmember, without support for bearing, gusset between scuttle and sidemember, reinforced. 2 slots of 52 mm on left-hand sidemember. L. H. steering. Since July 1965. | 1 | <u>DS 741-7b</u> | Front crossmember for spare wheel and support for starting handle. Since September 1964. Replaced by DX 741-7. | 1 |
| <u>DM 8-98g</u> | Upper panel with scuttle shelf and cross piece. R. H. steering. September 1964 - July 1965. | 1 | DM 741-3b | Front unit of caisson (front part) with intermediate crossmember and bearing support. L. H. steering. Until July 1965. Replaced by DX 741-3d; order in addition: 1-DX 251-80, 1-DS 251-101, 1-DM 334-114b. | 1 | DM 741-50b | Front extension comprising: front sidemember, closing panel for siderail, distance piece for front unit, siderail for front unit, support for gear controls, left-hand. L. H. steering. Replaced by DX 741-50; order in addition: 1-DX 251-80, 1-DX 251-101, 1-DM 334-114b. | 1 |
| <u>DS 8-98d</u> | <i>Upper panel with scuttle shelf and cross piece. L. H. steering. Since July 1965. Replaced by DX 8-98c.</i> | 1 | DM 741-3c | Front unit of caisson (front part) with intermediate crossmember and bearing support. R. H. steering. Until July 1965. Replaced by DX 741-3e; order in addition: 1-DX 251-80, 1-DX 251-101, 1-DM 334-284c. | 1 | DM 741-50c | Front extension comprising: front sidemember, closing panel for siderail, distance piece for front unit, siderail for front unit, support for gear controls, right-hand. R. H. steering. Replaced by DX 741-50c; order in addition: 1-DX 251-80, 1-DX 251-101, 1-DM 334-284c. | 1 |
| <u>DS 8-98e</u> | Upper panel with scuttle and cross piece. R. H. steering. Since July 1965. | 1 | <u>DS 741-3b</u> | Front unit of caisson (front part) without bearing support, 2 notches in the lower part. R. H. steering. Since July 1965. Replaced by DX 741-3e. | 1 | DS 741-50b | Front extension comprising: front sidemember, closing panel for siderail, distance piece for front unit, siderail for front unit, left-hand. R. H. steering. Replaced by DX 741-50b. | 1 |
| DS 251-75 | Shutter for starting handle opening on panel (R. VI). | 1 | DX 741-3a | Front unit of caisson (front part) with bearing support, 2 notches in the lower part. L. H. steering. Since July 1965. Replaced by DX 741-3d. | 1 | DS 741-50c | Front extension comprising: front sidemember, closing panel for siderail, distance piece for front unit, siderail for front unit, right-hand. L. H. steering. Replaced by DX 741-50a. | 1 |
| <u>DX 251-80</u> | Clip for starting handle. Since July 1965. | 1 | DS 741-5 | Front sidemember of front unit, L. H. | 1 | D 741-58 | Closing panel for front unit and front body siderail, left-hand. | 1 |
| <u>DX 251-101</u> | Bracket for starting handle. Since July 1965. | 1 | DS 741-5a | Front sidemember of front unit, right-hand. Until July 1965. Replaced by DX 741-5; order in addition: 1-DX 251-80, 1-DX 251-101. | 1 | D 741-58a | Closing panel for front unit and front body siderail, right-hand. | 1 |
| <u>DM 334-114b</u> | Bracket for gear change control bearing, fixing centres 97 and 120 mm. L. H. steering. Since July 1965. | 1 | | | | <u>DS 741-58</u> | Closing panel for siderail on sidemember, left-hand. Since July 1965. | 1 |
| <u>DM 334-284c</u> | Bracket for gear change control bearing, fixing centres 116 and 120 mm. R. H. steering. Since July 1965. | 1 | | | | | | |
| DM 443-64 | Rubber for finishing panel under body side rail, 275 mm long (R. VI). | 2 | | | | | | |
| DM 741-04g | Front unit of caisson with intermediate crossmember and support for gear change control bearing. L. H. steering. Until July 1965. | 1 | | | | | | |

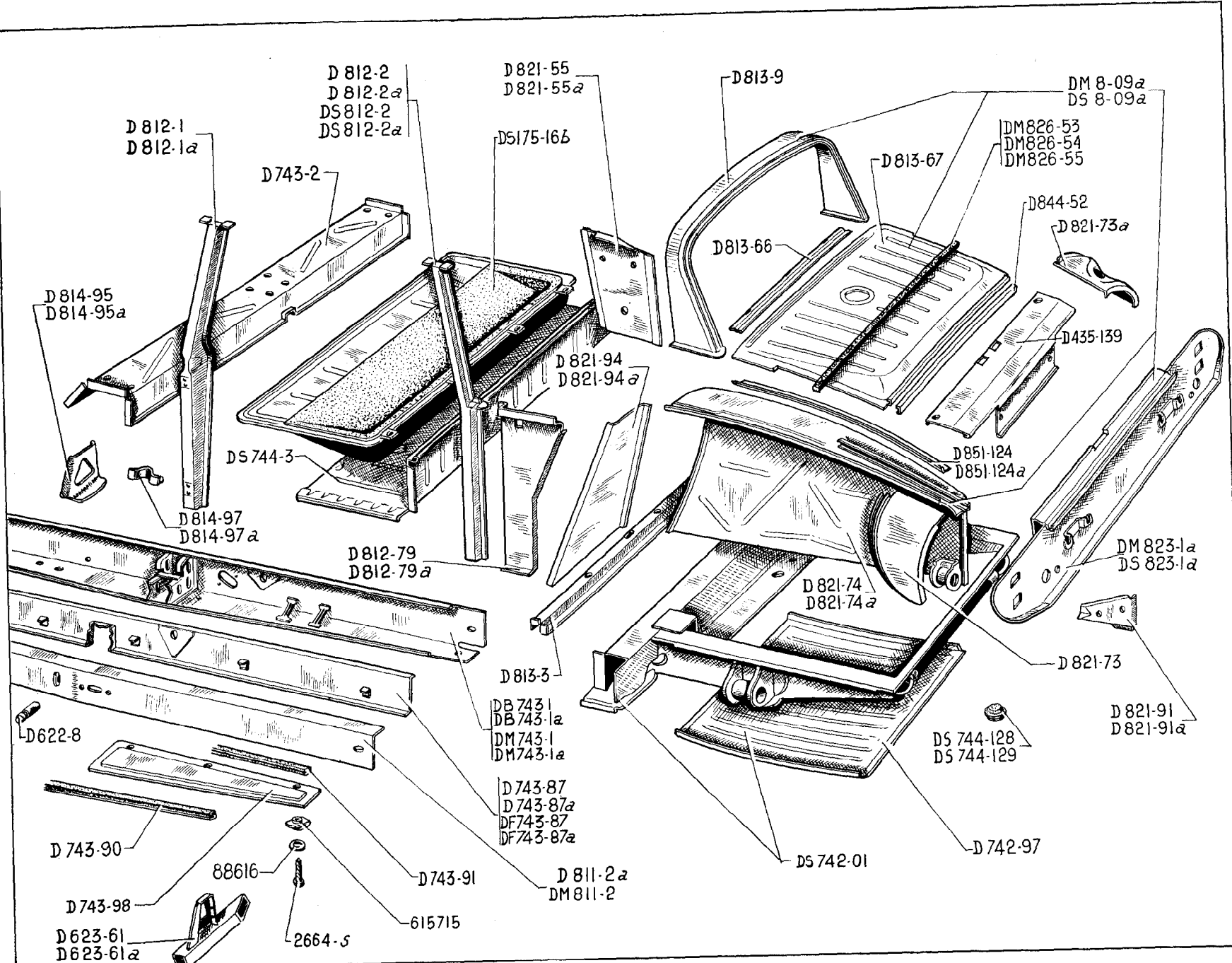
| NUMBER | DESCRIPTION | No. OFF | NUMBER | DESCRIPTION | No. OFF | NUMBER | DESCRIPTION | No. OFF |
|-------------------|---|---------|-------------------|--|---------|------------------|---|---------|
| <u>DS 741-58a</u> | Closing panel for siderail of side-member, right-hand. Since July 1965. | 1 | <u>DX 741-91d</u> | Siderail for front unit, 2 welded nuts, left-hand. R. H. steering. Since July 1965. | 1 | D 812-73 | Closing panel, inner, for left-hand front pillar (upper part of body). | 1 |
| DS 741-58b | <i>Closing panel for siderail of side-member, left-hand. Until July 1965. Replaced by DS 741-58.</i> | 1 | DS 741-99 | Closing panel for front unit. | 1 | D 812-73a | Closing panel, inner, for right-hand front pillar (upper part of body). | 1 |
| DS 741-58c | <i>Closing panel for siderail of side-member, right-hand. Until July 1965. Replaced by DS 741-58a.</i> | 1 | DM 741-100 | <i>Front sidemember, left-hand. Until July 1965. Replaced by DS 741-100.</i> | 1 | D 812-88 | Front pillar, left-hand (lower part of body). | 1 |
| D 741-59 | Closing panel, lateral, for front sidemember, left-hand. | 1 | DM 741-100a | <i>Front sidemember with distance piece and gusset, right-hand. Replaced by DX 741-100.</i> | 1 | D 812-88a | Front pillar, right-hand (lower part of body). | 1 |
| D 741-59a | Closing panel, lateral, for front sidemember, right-hand. | 1 | DS 741-100 | Front sidemember, left-hand. Since July 1965. | 1 | D 812-90 | Front pillar, left-hand (upper part of body). | 1 |
| DS 741-78 | Distance piece for front unit, between sidemember and siderail. | 2 | D 741-109 | Sound deadening felt, 435 x 15 x 4 for closing the front part of the front unit. | 4 | D 812-90a | Front pillar, right-hand (upper part of body). | 1 |
| DM 741-91c | <i>Siderail for front unit with support for gear control, left-hand. L. H. steering. Until July 1965. Replaced by DX 741-91b.</i> | 1 | D 743-90 | Rubber strip for closing panel on sidemember, 1860 m long. | 2 | DM 814-64 | Gusset, lower, for front pillar, with hole for passage of electric wiring, left-hand. | 1 |
| DM 741-91d | Siderail for front unit with support for gear control, right-hand. R. H. steering. Until July 1965. | 1 | D 743-91 | Rubber strip for closing panel of centre unit, 950 mm long (R. VI). | 4 | D 814-88a | Gusset, lower, for front right-hand pillar. | 1 |
| DS 741-91a | <i>Siderail for front unit, left-hand. R. H. steering. Until July 1965. Replaced by DX 741-91d.</i> | 1 | D 743-98 | <i>Removable closing panel for centre unit sidemember, 954 mm long. Until April 1965. Replaced by DM 743-98.</i> | 4 | DM 822-2b | <i>Side panel, left-hand, for scuttle. R. H. steering. Until September 1964. Replaced by DS 822-2d.</i> | 1 |
| DS 741-91b | <i>Siderail for front unit, right-hand. L. H. steering. Until July 1965. Replaced by DX 741-91a.</i> | 1 | <u>DM 743-98</u> | Removable closing panel for centre unit sidemember, 954 mm long. Since April 1965. | 4 | DM 822-2c | <i>Side panel, right-hand, for scuttle. R. H. steering. Until September 1964. Replaced by DS 822-2e.</i> | 1 |
| <u>DS 741-91c</u> | <i>Siderail for front unit, 10 welded nuts, right-hand. R. H. steering. Since July 1965. Replaced by DX 741-91c.</i> | 1 | D 811-2a | Siderail for bottom of body, right-hand. | 1 | <u>DS 822-2d</u> | Side panel for scuttle, left-hand. R. H. steering. Since September 1964. | 1 |
| <u>DX 741-91a</u> | Siderail for front unit, 3 welded nuts, right-hand. L. H. steering. Since July 1965. | 1 | DM 811-2 | Siderail for bottom of body, left-hand. | 1 | <u>DS 822-2e</u> | Side panel for scuttle right-hand. R. H. steering. Since September 1964. | 1 |
| <u>DX 741-91b</u> | Siderail for front unit, 7 welded nuts, left-hand. L. H. steering. Since July 1965. | 1 | D 812-72 | <i>Closing panel, upper, for front pillar, left-hand. Until September 1964. Replaced by DS 812-72.</i> | 1 | DW 822-2 | <i>Side panel for scuttle, with swivelling bracket for handbrake, left-hand. L. H. steering. Until September 1964. Replaced by DW 822-2b.</i> | 1 |
| | | | D 812-72a | <i>Closing panel, upper, for front pillar, right-hand. Until September 1964. Replaced by DS 812-72a.</i> | 1 | DW 822-2a | <i>Side panel for scuttle, with welded plates, right-hand. L. H. steering. Until September 1964. Replaced by DW 822-2c.</i> | 1 |
| | | | <u>DS 812-72</u> | Closing panel, upper, for front pillar, left-hand. Since September 1964. | 1 | <u>DW 822-2b</u> | Side panel for scuttle, left-hand. L. H. steering. Since September 1964. | 1 |
| | | | <u>DS 812-72a</u> | Closing panel, upper, for front pillar, right-hand. Since September 1964. | 1 | <u>DW 822-2c</u> | Side panel for scuttle, right-hand. L. H. steering. Since September 1964. | 1 |

The numbers underlined indicate new parts which do not appear on the illustration.

BODY UNITS (FRONT PARTS)- 299A

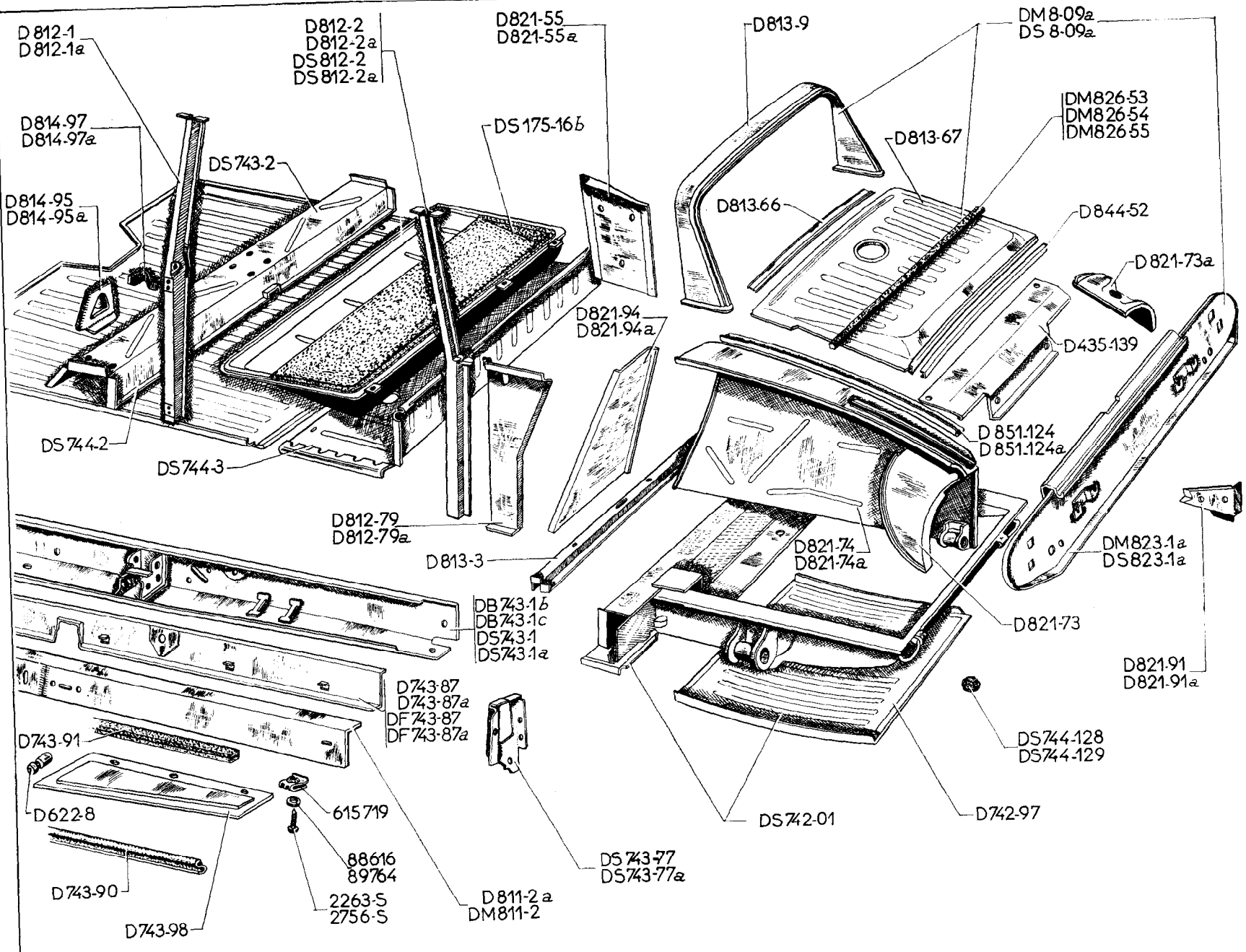
| NUMBER | DESCRIPTION | No. OFF | NUMBER | DESCRIPTION | No. OFF | NUMBER | DESCRIPTION | No. OFF |
|-------------------|--|---------|---------|---|---------|----------------|---|---------|
| DS 961-189 | Central reinforcement for wind-screen surround on scuttle dome. Until September 1964. | 1 | 2.334-S | Washer, shakeproof, 5.2 x 9.4, for securing closing panel (R. VI). | 15 | 88.616 | Washer, 4.2 x 12 x 0.8, for screws securing closing panel on sidemember of centre unit (R. III). | 12 |
| <u>DS961-189a</u> | Central reinforcement for wind-screen surround on scuttle dome. Since September 1964. | 1 | 2.482-S | Washer, 7.5 x 14, for securing:- - crossmember. - bearing support. Since July 1965. | 4 4 | 232.932 | Sealing grommet for body. | 8 |
| 295-S | Screw, hex. head, 5 x 16, for securing closing panel (R. III). | 15 | 2.514-S | Washer, shakeproof, 7.3 x 12 (R. VI) for securing:- - crossmember. - bearing support. Since July 1965. | 4 4 | 309.637 | Plug for holes securing safety harness. | 6 |
| 482-S | Screw, hex. head, 5 x 12.5 for securing: - crossmember. - bearing support. Since July 1965. | 4 4 | 2.664-S | Screw, round head, 3.5 x 20, for securing closing panel on sidemember of centre unit (R. III). | 12 | <u>615.715</u> | Nut clips for securing closing panel (R. VI). Since April 1965. | 12 |
| <u>2.263-S</u> | Screw, round head, 3.5 x 15.9, for securing closing panel (R. VI). Since April 1965. | 12 | | | | 615.732 | Nut clips for screws, 3.5 diameter for securing closing panel on sidemember of centre unit (R. VI). Until April 1965. | 12 |
| 2.320-S | Nut, hex., 5 x 75, for closing panel. | 12 | | | | 619.133 | Washer, 5.25 x 15 x 1.5, for securing closing panel. | 4 |

The numbers underlined indicate new parts which do not appear on the illustration.



| NUMBER | DESCRIPTION | No. OFF | NUMBER | DESCRIPTION | No. OFF | NUMBER | DESCRIPTION | No. OFF |
|-----------------|--|---------|------------------|---|---------|------------------|---|---------|
| | Since September 1962 | | | | | | | |
| DM 8-09a | Rear unit for body, 4 holes 18 x 18 for wing fixing with lamp brackets. BERLINE. Until September 1964. Replaced by DS 8-09b. | 1 | D 743-87 | Lining for centre unit sidemember, left-hand. BERLINE. | 1 | <u>DW 812-1</u> | Centre pillar, with hole for parking light and for securing safety harness. Since October 1962. | 1 |
| DS 8-09a | Rear unit for body without supports for stay. CABRIOLET. | 1 | D 743-87a | Lining for centre unit sidemember, right-hand. BERLINE. | 1 | <u>DW 812-1a</u> | Centre pillar, with hole for parking light and for securing safety harness. Since October 1962. | 1 |
| <u>DS 8-09b</u> | Rear unit for body, 4 holes 18 x 18 for wing fixing. BERLINE. Since September 1964. | 1 | DF 743-87 | Lining for reinforcement for centre unit sidemember, left-hand. CABRIOLET. | 1 | D 812-2 | Rear pillar of body, left-hand. BERLINE. | 1 |
| DS 175-16b | Access cover to tank. | 1 | DF 743-87a | Lining with reinforcement for centre unit sidemember, right-hand. CABRIOLET. | 1 | D 812-2a | Rear pillar of body, right-hand. BERLINE. | 1 |
| D 435-139 | Panel protecting rear corrector control. | 1 | D 743-90 | Rubber strip for closing panel on sidemember, 1,860 mm long. | 2 | DS 812-2 | Rear pillar of body, left-hand. CABRIOLET. | 1 |
| D 622-8 | Pin for jacking stand. | 2 | D 743-91 | Rubber strip for closing panel of central pillar sidemember, (950 mm long) (R. VI). | 4 | DS 812-2a | Rear pillar of body, right-hand. CABRIOLET. | 1 |
| DS 742-01 | Unit, rear, for caisson (rear part) with support for jack, centres for securing exhaust 212 mm. | 1 | D 743-98 | Closing panel, detachable, for central pillar sidemember (954 mm long). Until April 1965. | 4 | D 812-79 | Closing panel, lateral, lower, for rear pillar, left-hand. | 1 |
| D 742-97 | Floor panel for boot. | 1 | <u>DM 743-98</u> | Closing panel, detachable, for central pillar sidemember (954 mm long). Since April 1965. | 4 | D 812-79a | Closing panel, lateral, lower, for rear pillar, right-hand. | 1 |
| DB 743-1b | Sidemember for centre unit with gusset, 2 mm thick reinforcement, right-hand. CABRIOLET. | 1 | DS 744-2 | Valance, central, of caisson, with opening for exhaust box, longitudinal reinforcement, thickness 1 mm. | 1 | D 813-3 | Crossmember, lower, rear, for body. | 1 |
| DB 743-1c | Sidemember for centre unit with gusset, 2 mm thick, reinforcement, left-hand. CABRIOLET. | 1 | DS 744-3 | Heel board for petrol tank. | 1 | D 813-9 | Crossmember, upper, rear, for body. | 1 |
| DS 743-1 | Sidemember for centre unit, interior reinforcement 1,695 mm long, thickness 1 mm, left-hand. BERLINE. | 1 | DS 744-128 | Rubber plug for sealing boot. | 2 | D 813-66 | Crossmember, for rear window shelf. | 1 |
| DS 743-1a | Sidemember for centre unit, interior reinforcement 1,695 mm long, thickness 1 mm, right-hand. BERLINE. | 1 | DS 744-129 | Plug for sealing floor. | 12 | D 813-67 | Panel only for rear window shelf. | 1 |
| DS 743-2 | Crossmember under front seats, 1,260 mm long x 447 mm wide. | 1 | D 811-2a | Sidemember for bottom of body, right-hand. | 1 | D 814-95 | Gusset connecting front left-hand and rear right-hand of siderail, for bottom of body. | 2 |
| DS 743-77 | Closing panel for sidemember on rear pillar, left-hand. | 1 | DM 811-2 | Sidemember for bottom of body, left-hand. | 1 | D 814-95a | Gusset connecting front right-hand and rear left-hand of siderail, for bottom of body. | 2 |
| DS 743-77a | Closing panel for sidemember on rear pillar, right-hand. | 1 | D 812-1 | Centre pillar of body, left-hand. Until October 1962. Replaced by DW 812-1. | 1 | D 814-97 | Reinforcement, lower, for central pillar, left-hand. | 1 |
| | | | D 812-1a | Centre pillar of body, right-hand. Until October 1962. Replaced by DW 812-1a. | 1 | D 814-97a | Reinforcement, lower, for central pillar, right-hand. | 1 |
| | | | | | | D 821-55 | Lining for quarter panel, left-hand. | 1 |
| | | | | | | D 821-55a | Lining for quarter panel, right-hand. | 1 |

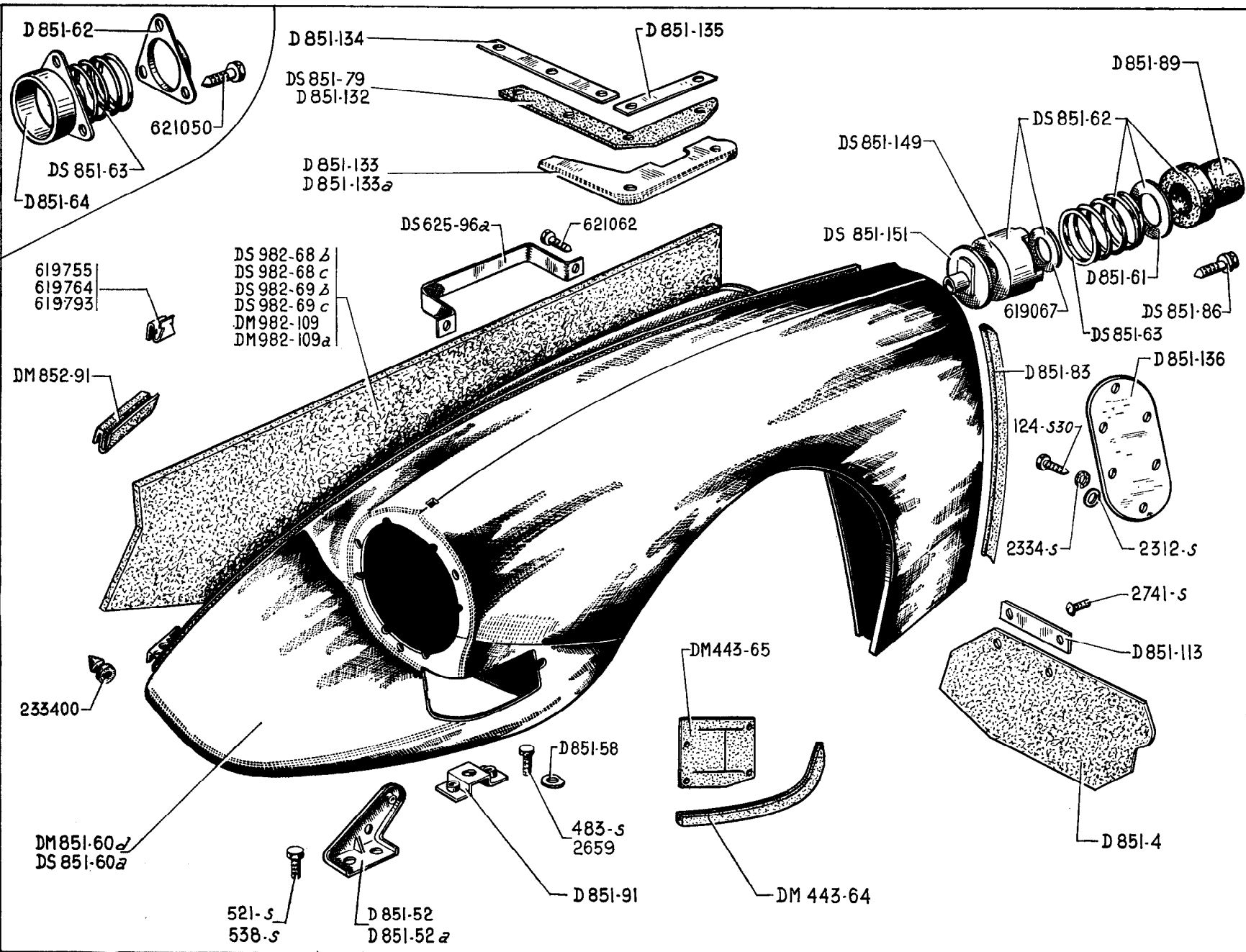
The numbers underlined indicate new parts which do not appear on the illustration.



304—BODY UNITS (REAR PARTS)

| NUMBER | DESCRIPTION | No. OFF | NUMBER | DESCRIPTION | No. OFF | NUMBER | DESCRIPTION | No. OFF |
|-----------|--|---------|------------------|--|---------|----------------|--|---------|
| D 821-73 | Connecting panel, rear, left-hand. | 1 | DS 823-1a | Rear closing panel for boot, without lining. CABRIOLET. | 1 | D 851-124a | Beading, upper, for rear wing, right-hand, on wheel arch, 670 mm long. | 1 |
| D 821-73a | Connecting panel, rear, right-hand. | 1 | <u>DS 823-1b</u> | Rear closing panel, 4 holes 18 x 18, for wing fixing. BERLINE. Since September 1964. | 1 | 2.263-S | Screw, round head, 3.5 x 15.9, for securing finishing panel on siderail (R. VI). | 12 |
| D 821-74 | Rear wheel arch, left-hand. | 1 | DM 826-53 | Sealing strip, upper and lower, for closing panel, 1,030 mm long (R. VI). Until June 1963. | 2 | 2.756-S | Screw, P.K. 3 x 10 for securing finishing panel on siderail (R. VI). | 4 |
| D 821-74a | Rear wheel arch, right-hand. | 1 | DM 826-54 | Sealing strip, lateral, for closing panel, 550 mm long (R. VI). | 2 | 88.616 | Washer, 4.2 x 12 x 0.8 for screws securing (R. III): - closing panel. | 12 |
| D 821-91 | Gusset for reinforcement of rear wheel arch, left-hand. | 1 | DM 826-55 | Sealing strip, between front cross-member and closing panel, 700 x 20 x 8 (R. VI). | 1 | 89.764 | Washer, 5 x 10 x 1 for closing panel on sidemember (R. IV). | 6 |
| D 821-91a | Gusset for reinforcement of rear wheel arch, right-hand. | 1 | D 844-52 | Beading, upper, for rear window shelf, 1,180 mm long. | 1 | <u>615.715</u> | Nut clip for removable closing panel (R. VI). | 12 |
| D 821-94 | Closing panel for front of rear wheel arch, left-hand. | 1 | D 851-124 | Beading, upper, for rear wing, left-hand, on wheel arch, 838 mm long. | 1 | 615.719 | Nut clips for securing finishing panel, front and rear (R. VI). | 2 |
| D 821-94a | Closing panel for front of rear wheel arch, right-hand. | 1 | | | | | | |
| DM 823-1a | <i>Rear closing panel for boot, with lamp brackets, 4 holes 18 x 18 for wing fixing. BERLINE. Until September 1964. Replaced by DS 823-1b.</i> | 1 | | | | | | |

306—FRONT WINGS

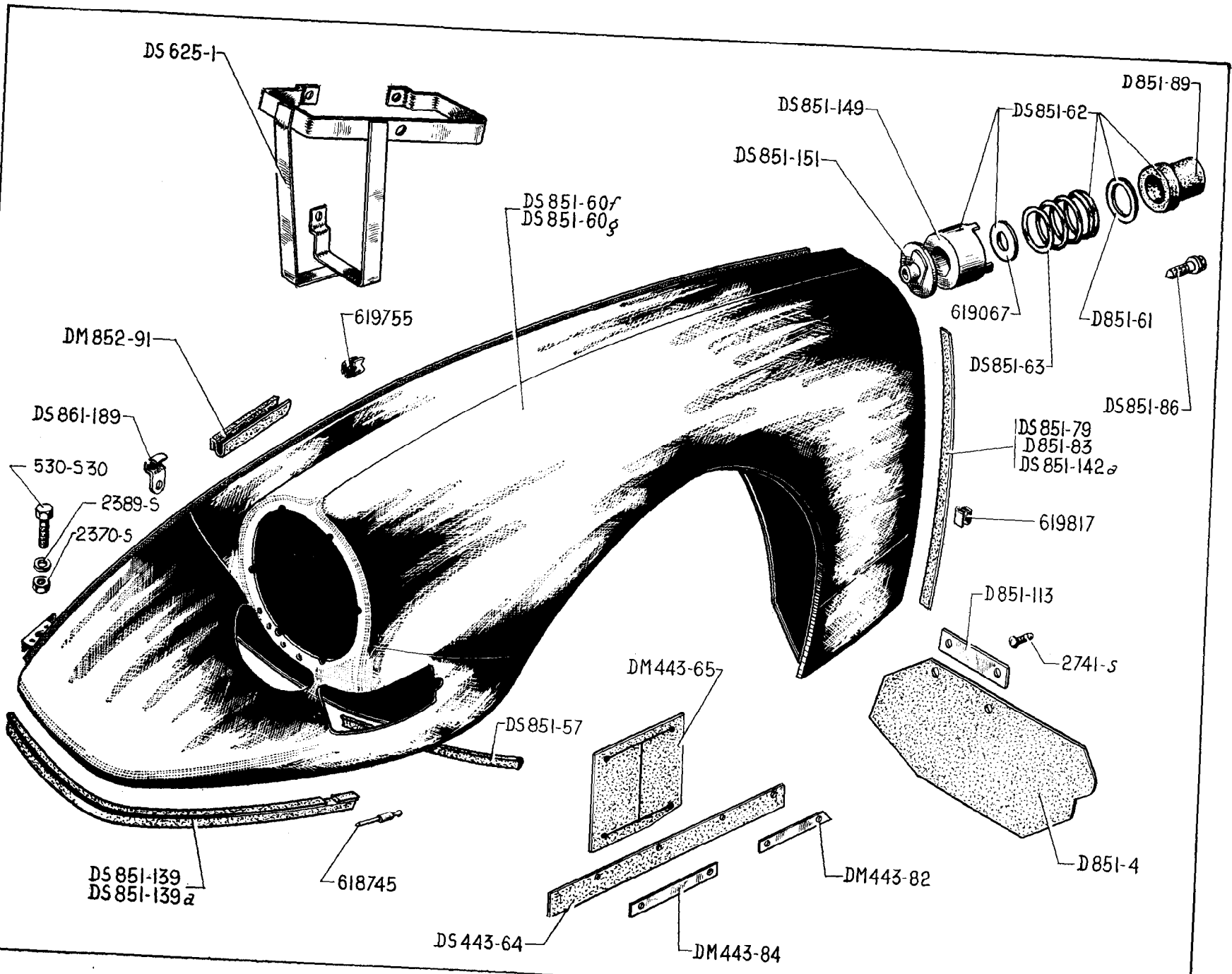


| NUMBER | DESCRIPTION | No. OFF | NUMBER | DESCRIPTION | No. OFF | NUMBER | DESCRIPTION | No. OFF |
|------------|---|---------|------------|--|-------------|-------------|---|---------|
| | Until September 1962 | | | | | | | |
| DM 443-64 | Sealing strip on steering relay shield (R. VI). | 2 | DS 851-62 | Adjustable centring bracket for wing spigot secured by one central screw. Since May 1958. | 4 | D 851-134 | Backplate securing rubber seal, between wing and caisson, 217 mm long. Until February 1962. | 2 |
| DM 443-65 | Sealing strip, rubber, for passage of steering relay. | 2 | DS 851-63 | Thrust spring for spigoted wing, external diameter 44 mm, 4 holes. | 4 | D 851-135 | Backplate securing rubber seal, between wing and caisson, 125 mm long. Until February 1962. | 2 |
| DS 625-96a | Strap holding oil-can. | 1 | D 851-64 | Centring bracket for spigot in wing, secured by 3 screws. Until May 1958. | 4 | D 851-136 | Closing plate on wing. | 2 |
| D 851-4 | Mudflap for front wing, 160 mm long. | 2 | DS 851-79 | Sealing strip between front wing and caissons, 234 mm long. Since February 1962. | 2 | DS 851-149 | Adjustable bracket (only), for centring spigot. Since May 1958. | 4 |
| D 851-52 | Bracket, outer, securing front left-hand wing on valance. | 1 | D 851-83 | Sealing strip, rubber, 383 mm long: - wing valance, front part. - wing valance, rear part. - lining for front part. | 2 2 2 | DS 851-151 | Lockwasher for adjustable support. Since May 1958. | 4 |
| D 851-52a | Bracket, outer, securing front right-hand wing on valance. | 1 | DS 851-86 | Screw securing adjustable bracket on wing, length under head 20 mm. Since May 1958. | 4 | DM 852-91 | Rubber stop for closing of bonnet on wings. | 4 |
| D 851-58 | Washer, 5.5 x 28 x 2 for screws securing: - centre bracket on front wing. - support securing wing on front crossmember. | 12 4 | D 851-89 | Rubber, centring sleeve for spigot in wing. | 4 | DS 982-68b | Sound deadening lining, left-hand, for wing valance, (rear part) (R. VI). Until January 1960. | 1 |
| DM 851-60d | Front wing, left-hand. Replaces earlier types. - For assembly before May 1958, order in addition: 2-DS 851-62, 2-DS 851-86, 2-DS 851-151. | 1 | D 851-91 | Support, internal, for securing front wing on crossmember. | 2 | DS 982-68c | Sound deadening lining, right-hand, for wing valance, (rear part) (R. VI). Until January 1960. | 1 |
| DS 851-60a | Front wing, right-hand. Replaces earlier types. - For assembly before May 1958, order in addition: 2-DS 851-62, 2-DS 851-86, 2-DS 851-151. | 1 | D 851-113 | Reinforcement plate, 26 x 80, for wing mudflap. | 2 | DS 982-69b | Sound deadening lining, left-hand, for wing valance (front part) (R. VI). Until January 1960. | 1 |
| D 851-61 | Thrust washer, 25 x 44, for spigot spring on wing. | 4 | D 851-132 | Sealing strip, rubber, between wing and caisson, 144 mm long, 93 mm wide. Until February 1962. | 2 | DS 982-69c | Sound deadening lining, right-hand, for wing valance, (front part) (R. VI). Until January 1960. | 1 |
| D 851-62 | Locking plate for spigot in wing (central hole 39 mm mm diameter) fixing by 3 screws. Until May 1958. | 4 | D 851-133 | Support, left-hand, securing rubber seal between wing and caisson. Until February 1962. | 1 | DM 982-109 | Sound deadening lining, for wing valance, left-hand. Since January 1960. | 1 |
| | | | D 851-133a | Support, right-hand, securing rubber seal between wing and caisson. Until February 1962. | 1 | DM 982-109a | Sound deadening lining for wing valance, right-hand. Since January 1960. | 1 |
| | | | | | | 124-S 30 | Screw, round head, 5 x 12.5, for securing closing plate on wing (R. III). | 14 |

308—FRONT WINGS

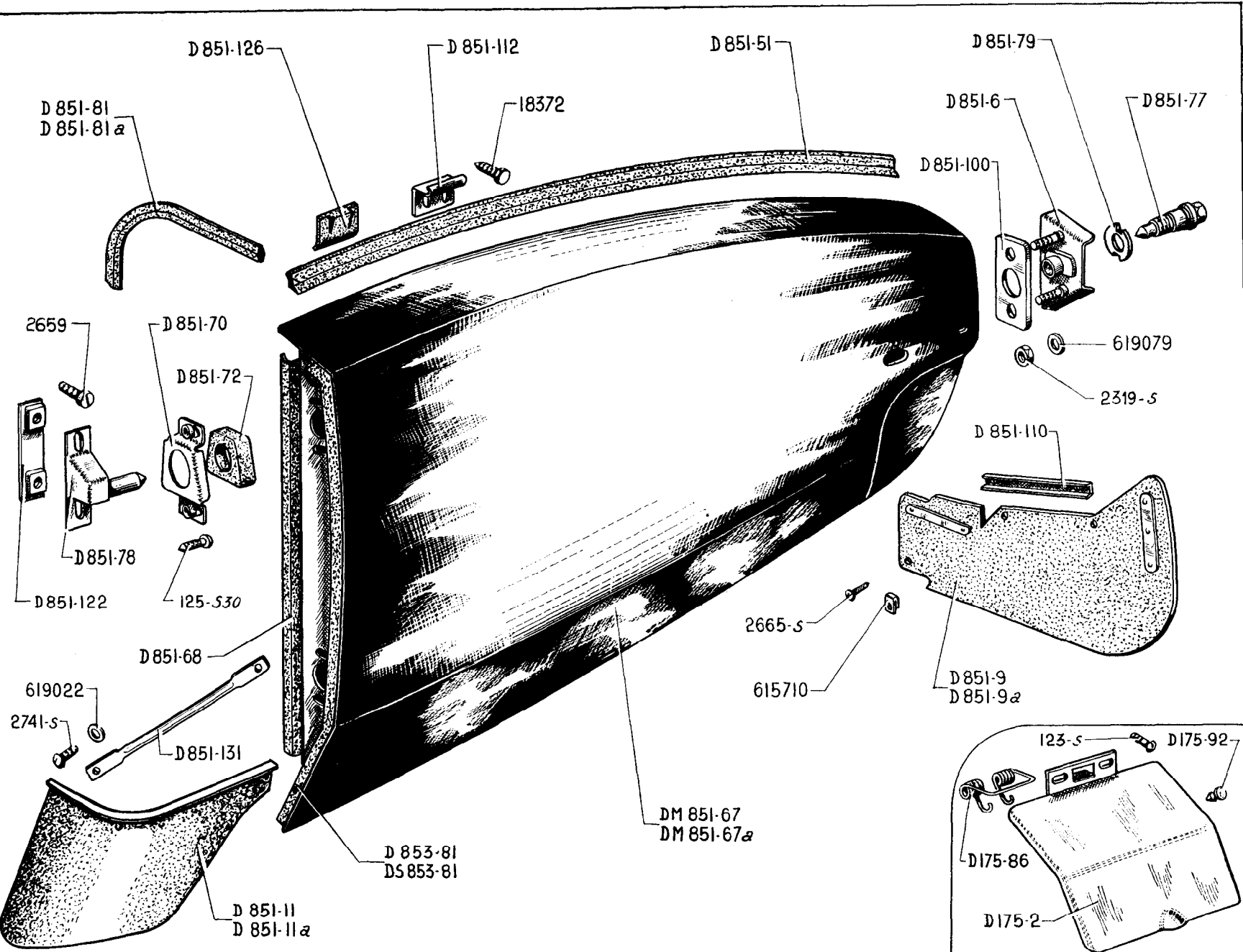
| NUMBER | DESCRIPTION | No. OFF | NUMBER | DESCRIPTION | No. OFF | NUMBER | DESCRIPTION | No. OFF |
|---------|---|---------|---------|---|---------|------------|---|---------|
| 483-S | Screw, hex. head, 7 x 16, for securing bracket for wing on valance (R. III). | 4 | 233.400 | Sealing plug on wing (R. IV). | 2 | | | |
| 521-S | Screw, hex. head, 9 x 16, for securing wing on front cross-member (R. III). | 2 | 619.067 | Washer, 7.5 x 30 x 2 for centring bracket (R. IV). | 4 | DS 854-42b | Section for bottom of body on front wing with clips, left-hand (R. VI). | 1 |
| 538-S | Screw, hex. head, 9 x 25, for securing wing on reinforcement of valance (R. III). | 2 | 619.755 | Clip securing sealing packing between wing and bonnet (R. VI). | 28 | DS 854-42c | Section for bottom of body on front wing, with clips, right-hand (R. VI). | 1 |
| 2.312-S | Washer, plain, 5.5 x 9 for the screws securing the closing plate on the wing (R. III). | 14 | 619.764 | <i>Clip for securing sound proofing packing for wing valance (R. VI). No longer supplied.</i> | 12 | DS 854-45b | Section for embellishment on wing angle, with clips, left-hand (R. VI). | 1 |
| 2.334-S | Washer, shakeproof, 5.2 x 9.4, for the screws securing the closing plate on the wing (R. VI). | 14 | 619.793 | Clip securing sound proofing packing for wing valance (R. VI). | 4 | DS 854-45c | Section for embellishment on wing angle, with clips, right-hand (R. VI). | 1 |
| 2.741-S | Screw, round head, 4.85 x 9.5 for securing the counterplate on the mudflap (R. VI). | 4 | 621.050 | Screw, hex. head, pointed, 5 x 20, for securing locking plate for spigot on wing (R. VI). Until May 1958. | 8 | | | |
| 89.274 | Screw, hex. head, 5 x 13, for securing the wing bracket on the crossmember (R. III). | 4 | 621.062 | Screw, hex. head, 5 x 14, for securing strap retaining oil-can (R. III). | 2 | | | |
| | | | | | | | SPECIAL PARTS CABRIOLET | |

310—FRONT WINGS



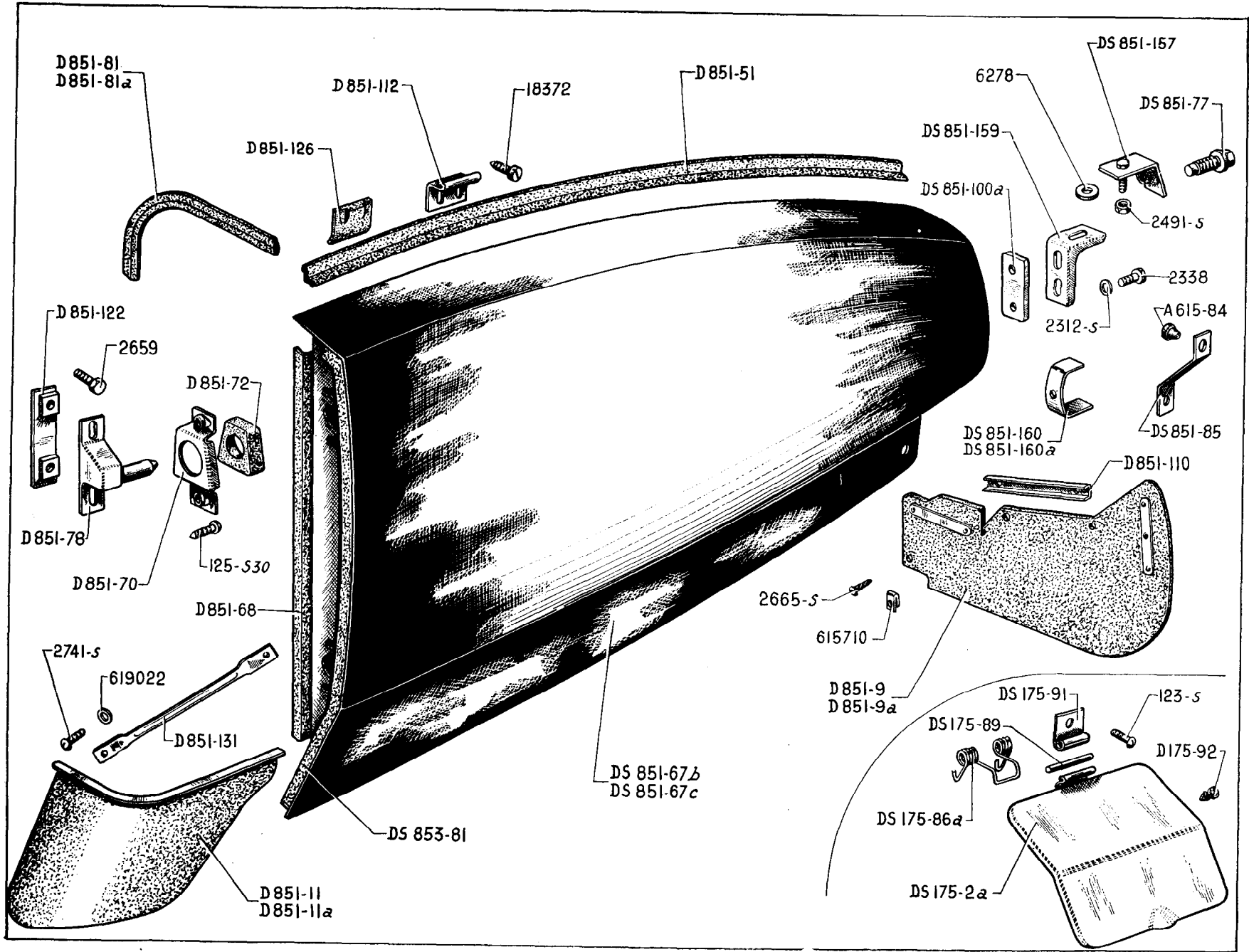
| NUMBER | DESCRIPTION | No. OFF | NUMBER | DESCRIPTION | No. OFF | NUMBER | DESCRIPTION | No. OFF |
|-------------------|--|---------|-------------------|--|---------|------------------------------------|--|---------|
| | Since September 1962 | | | | | | | |
| DS 443-64 | Sealing strip on steering relay shield, 300 mm long. Until November 1965. | 1 | DS 851-63 | Thrust spring for spigot in wing, external diameter 44 mm, 4 coils. | 4 | DM 852-91 | Rubber stop for closing of bonnet on wing. | 4 |
| <u>DX 443-64</u> | Sealing strip of steering relay shield, 295 mm long. Since November 1965. | 1 | DS 851-79 | <i>Sealing strip between front wing and caisson, 234 mm long. Until June 1965. Replaced by DS 851-132.</i> | 4 | DS 861-189 | Plate retaining shield on wing. | 1 |
| DM 443-65 | Sealing strip, rubber, for passage of steering relay. | 2 | <u>DX 851-79</u> | Sealing strip between front wing and caisson, left-hand. Since July 1965. | 1 | 530-S 30 | Screw, hex. head, 9 x 22, for securing wing on valance (R. III). | 4 |
| DM 443-82 | Backplate, front, for securing sealing strip, 61 mm between fixing centres. | 4 | <u>DX 851-79a</u> | Sealing strip between front wing and caisson, right-hand. Since July 1965. | 1 | 2.370-S | Nut, hex., 9 x 125, for securing wing on valance (R. III). | 4 |
| DM 443-84 | Backplate, rear, securing sealing strip, 78 mm between fixing centres. | 4 | D 851-83 | Sealing strip, rubber, 385 mm long. | 2 | 2.389-S | Washer, shakeproof, 9.5 x 16.5, for securing wing on valance (R. VI). | 4 |
| DS 625-1 | Support for oil can. | 1 | DS 851-86 | Screw for supporting adjustable bracket on wing, length under head 20 mm. | 4 | 2.741-S | Screw, round head, 4.85 x 9.5, for securing mud-flap reinforcement plate (R. VI). | 4 |
| D 851-4 | Mud-flap on front wing, 160 mm long. | 2 | D 851-89 | Rubber, centring sleeve for spigot in wing. | 4 | 618.745 | Rivet, Pop, for securing wing trim (R. VI). | 20 |
| DS 851-57 | Sealing strip for front wing, 377 mm long. | 2 | <u>DS 851-109</u> | Sealing strip between wing and protection shield (R. VI). Since June 1965. | 2 | 619.067 | Washer, 7.5 x 30 x 2, for centring bracket (R. IV). | 4 |
| DS 851-60f | <i>Front wing, left-hand. Until June 1965. Replaced by DX 851-60c; order in addition: 1-DS 851-109 (R. VI).</i> | 1 | D 851-113 | Reinforcement plate, 26 x 80, for wing mud-flap. | 2 | 619.755 | Clip securing rubber sealing packing between wing and bonnet (R. VI). | 28 |
| DS 851-60g | <i>Front wing, right-hand. Until June 1965. Replaced by DX 851-61d; order in addition: 1-DS 851-109 (R. VI).</i> | 1 | <u>DS 851-132</u> | Sealing strip between wing and caisson, 125 mm long (R. VI). Since July 1965. | 2 | 619.817 | Clip securing (R. VI): - rubber between wing and front bumpers, - rubber for side panel. | 8 18 |
| <u>DX 851-60c</u> | Front wing, left-hand. Since June 1965. | 1 | DS 851-139 | Sealing strip, rubber, between wing and front bumpers, left-hand (R. VI). | 1 | SPECIAL PARTS CABRIOLET | | |
| <u>DX 851-61d</u> | Front wing, right-hand. Since June 1965. | 1 | DS 851-139a | Sealing strip, rubber, between wing and front bumpers, right-hand (R. VI). | 1 | DS 854-42b | Section for bottom of body on front wing with clips, left-hand (R. VI). | 1 |
| D 851-61 | Thrust washer, 25 x 44, for spigot and spring on front wing. | 4 | DS 851-142a | Sealing strip, rubber, between wing and lateral scuttle panel. | 2 | US 854-42c | Section for bottom of body on front wing, with clips, right-hand (R. VI). | 1 |
| DS 851-62 | Adjustable centring bracket for wing spigot secured by one central screw. | 4 | DS 851-149 | Adjustable bracket (only) for centring spigot. | 4 | DS 854-45b | Section for embellishment on wing angle, with clips, left-hand (R. VI). | 1 |
| | | | DS 851-151 | Lock washer for adjustable support. | 4 | DS 854-45c | Section for embellishment on wing angle, with clips, right-hand (R. VI). | 1 |

The numbers underlined indicate new parts which do not appear on the illustration.



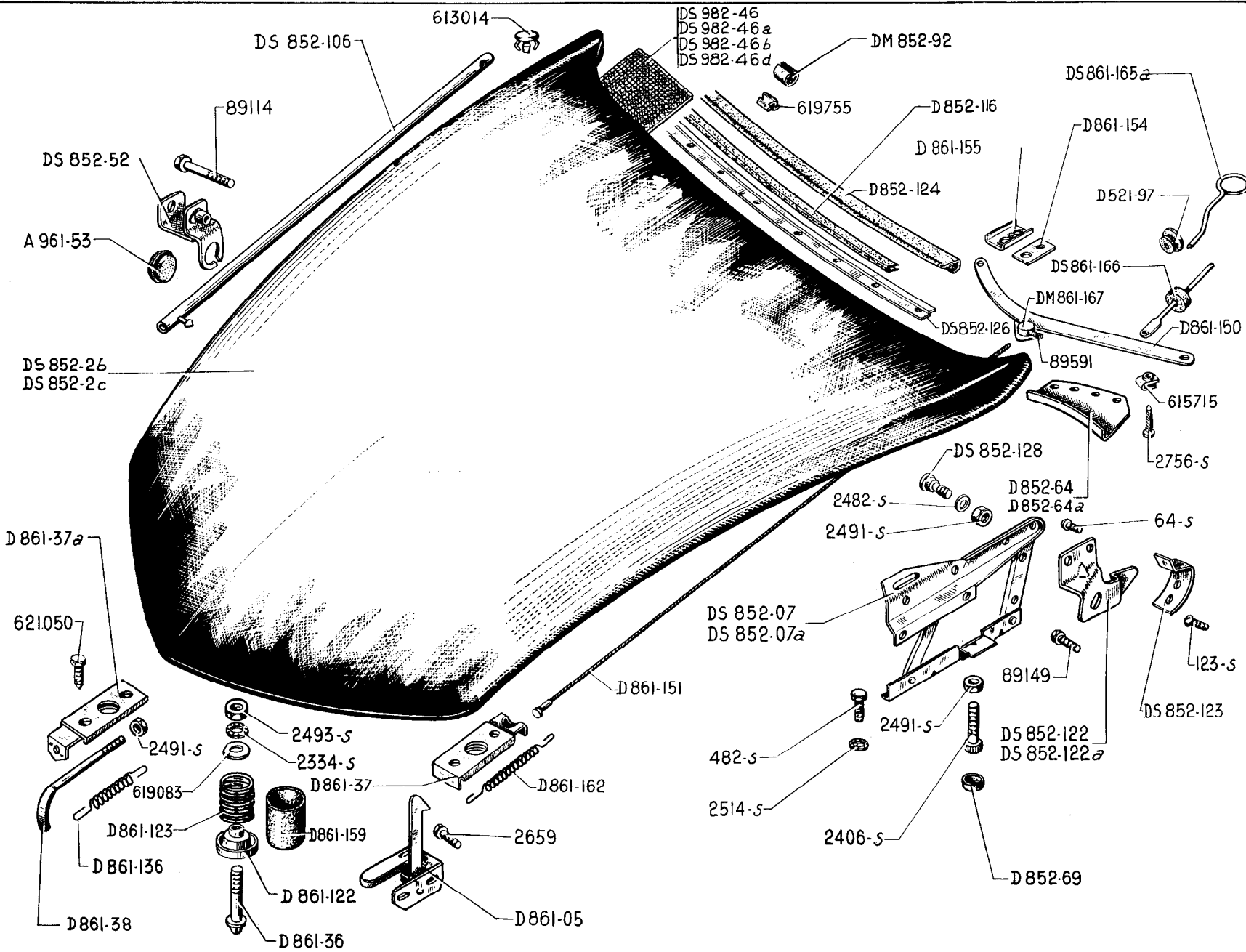
312-REAR WINGS

| NUMBER | DESCRIPTION | No. OFF | NUMBER | DESCRIPTION | No. OFF | NUMBER | DESCRIPTION | No. OFF |
|------------|---|---------|-----------|---|---------|-----------|---|---------|
| | Until July 1959 | | | | | | | |
| D 175-2 | Cover for petrol filler. | 1 | D 851-70 | Bracket for centring wing (fixed on wing). | 4 | D 853-81 | Rubber sealing strip, between wing and rear door, 690 mm long. Until July 1958. | 2 |
| D 175-86 | Spring for petrol filler cover, 37.5 mm wide. | 1 | D 851-72 | Rubber block, 31 x 35 x 40 for centring wing spigot. | 4 | DS 853-81 | Rubber sealing strip, between rear wing and door. Since July 1958. | 2 |
| D 175-92 | Stop, rubber, for petrol filler cover (14 mm long). | 2 | D 851-77 | Screw securing wing, 57 mm long. | 2 | 123-S | Screw, round head, 5 diameter x 10 long, securing petrol filler cover. Replaced by 2.502-S 30 (R. VI). | 2 |
| D 851-6 | Bracket securing wing on rear panel. | 2 | D 851-78 | Spigot for position in wing. | 2 | 125-S 30 | Screw, round head, 5 diameter x 15 long, securing bracket holding rubber block for centring wing. Replaced by 2.548-S 30 (R. VI). | 8 |
| D 851-9 | Mud flap, rear, for rear wing, left-hand, 430 mm long. | 1 | D 851-79 | Locking washer for screw securing wing. | 2 | 2.319-S | Nut, hex., 5 diameter x 75 pitch, locking adjustable bracket. | 4 |
| D 851-9a | Mud flap, rear, for right-hand rear wing, 430 mm long. | 1 | D 851-81 | Rubber sealing strip, left-hand, between wing and panel connecting wheel arch to rear panel. | 1 | 2.659 | Screw, hex. head, 5 diameter x 13 long, securing spigot bracket for wing. Replaced by 283-S. | 4 |
| D 851-11 | Mud flap, front, for rear wing, left-hand, 375 mm long. | 1 | D 851-81a | Rubber sealing strip, right-hand, between wing and panel connecting wheel arch to rear panel. | 1 | 2.665-S | Screw, P.K. 5 diameter x 16 long, securing wing mud flap (R. VI). | 4 |
| D 851-11a | Mud flap, front, for rear wing, right-hand, 375 mm long. | 1 | D 851-100 | Plate securing adjustable bracket on rear panel, 58 mm long, 36 mm wide. | 2 | 2.741-S | Screw, round head, 4.85 x 9.5, securing wing stay (R. VI). | 2 |
| D 851-51 | Sealing rubber, upper, for wing on wheel arch, 880 mm long. | 2 | D 851-110 | Reinforcement securing mud flap on rear panel, 190 mm long. | 2 | 18.372 | Screw, square head, 5 diameter x 12.5 long, securing plate holding wing. | 4 |
| DM 851-67 | Rear wing, left-hand. | 1 | D 851-112 | Plate retaining wing at rear upper part. | 2 | 615.710 | Nut clip for 4.85 mm diameter screw (R. VI), securing: - wing stay. - mud flap for wings. | 2 6 |
| DM 851-67a | Rear wing, right-hand. | 1 | D 851-122 | Fixing plate for wing positioning spigot. | 2 | 619.022 | Washer, 5.5 x 14 x 1 for wing stay. | 4 |
| D 851-68 | Sealing rubber on front wing closing panel. | 2 | D 851-126 | Sealing pad, rubber, 25 x 40, for wing (R. VI). | 2 | 619.079 | Washer, 5.5 x 12 x 2 for adjustable brackets. | As nec. |
| | | | D 851-131 | Wing stay, 178 mm long. | 2 | | | |



| NUMBER | DESCRIPTION | No. OFF | NUMBER | DESCRIPTION | No. OFF | NUMBER | DESCRIPTION | No. OFF |
|------------------------|---|---------|-------------------|---|---------|------------------------------------|---|---------|
| Since July 1959 | | | DS 851-77 | Screw securing wing, 21 mm long under head. | 2 | 123-S | Screw, round head, 5 diameter x 10 long, securing petrol filler cover. Replaced by 2.502-S 30 (R. VI). | 2 |
| A 615-84 | Rubber stop for rear wing. | 2 | D 851-78 | Spigot for positioning wing. | 2 | 125-S 30 | Screw, round head, 5 diameter x 15 long, securing bracket for rubber block centring wing. Replaced by 2.548-S 30 (R. VI). | 8 |
| DS 175-2a | Cover for petrol filler. Until September 1965. Replaced by DS 175-2b; order in addition: 1-DS 175-86b, 2-DX 175-94. | 1 | D 851-81 | Rubber sealing strip, left-hand, between wing and panel connecting wheel arch to rear panel. | 1 | 2.312-S | Washer, plain, 5.5 x 9 for rear bracket. | 4 |
| DS 175-2b | Cover for petrol filler. Since September 1965. | 1 | D 851-81a | Sealing strip, rubber, right-hand, between wing and panel connecting wheel arch to rear panel. | 1 | 2.338 | Screw, hex. head, 5 diameter x 20 long, securing bracket on rear panel. Replaced by 284-S. | 4 |
| DS 175-86a | Spring for petrol filler cover, 44 mm wide (R. VI). Until September 1965. | 1 | DS 851-85 | Plate securing rubber stop for rear wing. | 2 | 2.491-S | Nut, hex., 7 diameter x 100 pitch, locking bracket with plate for rear fixing. | 2 |
| DS 175-86b | Spring for petrol filler cover (R. VI). Since September 1965. | 1 | DS 851-100a | Plate securing wing bracket, 85 mm long, 50 mm wide, 2 holes 50 mm between centres. | 2 | 2.659 | Screw, hex. head, 5 diameter x 13 long, securing bracket for wing spigot. Replaced by 283-S. | 4 |
| DS 175-89 | Hinge pin for petrol filler cover on rear wing. | 1 | D 851-110 | Reinforcement securing mud flap, on rear panel, 190 mm long. | 2 | 2.665-S | Screw, PK 5 diameter x 16 long, securing wing mud flap (R. VI) | 4 |
| DS 175-91 | Hinge, lateral, for petrol filler cover. | 2 | D 851-112 | Plate retaining wing and rear upper part. | 2 | 2.741-S | Screw, round head, 4.85 x 9.5, securing wing stay (R. VI). Until July 1964. | 2 |
| D 175-92 | Rubber stop for petrol filler cover (14 mm long). | 2 | D 851-122 | Fixing plate for wing positioning spigot. | 2 | 6.278 | Washer, 7.5 x 20 x 2 for bracket. | 2 |
| DX 175-94 | Rubber cover for petrol filler. Since September 1965. | 2 | D 851-126 | Sealing rubber, 25 x 40, for wing (R. VI). | 2 | 18.372 | Screw, square head, 5 diameter x 12.5 long, securing wing retaining plate. | 4 |
| D 851-9 | Mud flap, rear, for left-hand, rear wing 430 mm long. | 1 | <u>DF 851-127</u> | Front mudflap for rear wing. Since July 1964. | 2 | 615.710 | Nut clip for 4.85 mm diameter screw (R. VI) securing: - wing stay. - wing mud flaps. | 2 6 |
| D 851-9a | Mud flap, rear, for right-hand, rear wing 430 mm long. | 1 | <u>DF 851-128</u> | Plate for securing front mudflap. Since July 1964. | 2 | 619.022 | Washer, 5.5 x 14 x 1, for wing stay. | 4 |
| D 851-11 | Mud flap, front, for left-hand, rear wing 375 mm long. Until July 1964. | 1 | D 851-131 | Wing stay, 178 mm long. Until July 1964. | 2 | SPECIAL PARTS CABRIOLET | | |
| D 851-11a | Mud flap, front, for rear wing, right-hand, 375 mm long. Until July 1964. | 1 | <u>DF 851-144</u> | Plate holding front mudflap. Since July 1964. | 2 | DS 851-03 | Rear wing, left-hand (R. VI). | 1 |
| D 851-51 | Sealing rubber, strip, for top of wing, to wheel arch, 880 mm long. | 2 | DS 851-157 | Plate securing wing, 51 mm long, 35 mm wide (1 screw and 1 welded nut). | 2 | DS 851-03a | Rear wing, right-hand (R. VI). | 1 |
| DS 851-67b | Rear wing, left-hand. BERLINE. Until July 1964. | 1 | DS 851-159 | Bracket securing rear part of wing, 95 mm long, 50 mm wide, 2 welded nuts at 50 mm between centres. | 2 | DS 851-43 | End piece, rear, for rear wing, left-hand (R. VI). | 1 |
| DS 851-67c | Rear wing, right-hand. BERLINE. Until July 1964. | 1 | DS 851-160 | Bracket securing reflector. Except U.S.A. Until November 1961. ALL TYPES. Since November 1961. | 2 | DS 851-43a | End piece, rear, for rear wing, right-hand (R. VI). | 1 |
| <u>DS 851-67d</u> | Rear wing, without reinforcement, for front mudflap fixing. BERLINE. Since July 1964. | 1 | DS 851-160a | Bracket securing reflector. U.S.A. Until November 1961. | 2 | DS 854-43b | Section for embellishment on rear wing angle, left-hand (R. VI). | 1 |
| <u>DS 851-67e</u> | Rear wing, without reinforcement for front mudflap fixing. BERLINE. Since July 1964. | 1 | DS 853-81 | Sealing strip, rubber, between rear wing and door. | 2 | DS 854-43c | Section for embellishment on rear wing angle, right-hand (R. VI). | 1 |
| D 851-68 | Sealing rubber strip, for closing panel at front of wing. | 2 | | | | DS 854-35 | Wing protector for rear wing, left-hand (R. VI). | 1 |
| D 851-70 | Bracket for rubber block centring wing (fixed on wing). | 4 | | | | DS 854-35a | Wing protector for rear wing, right-hand (R. VI). | 1 |
| D 851-72 | Rubber block, 31 x 35 x 40, for centring wing spigot. | 4 | | | | | | |

The numbers underlined indicate new parts which do not appear on the illustration.

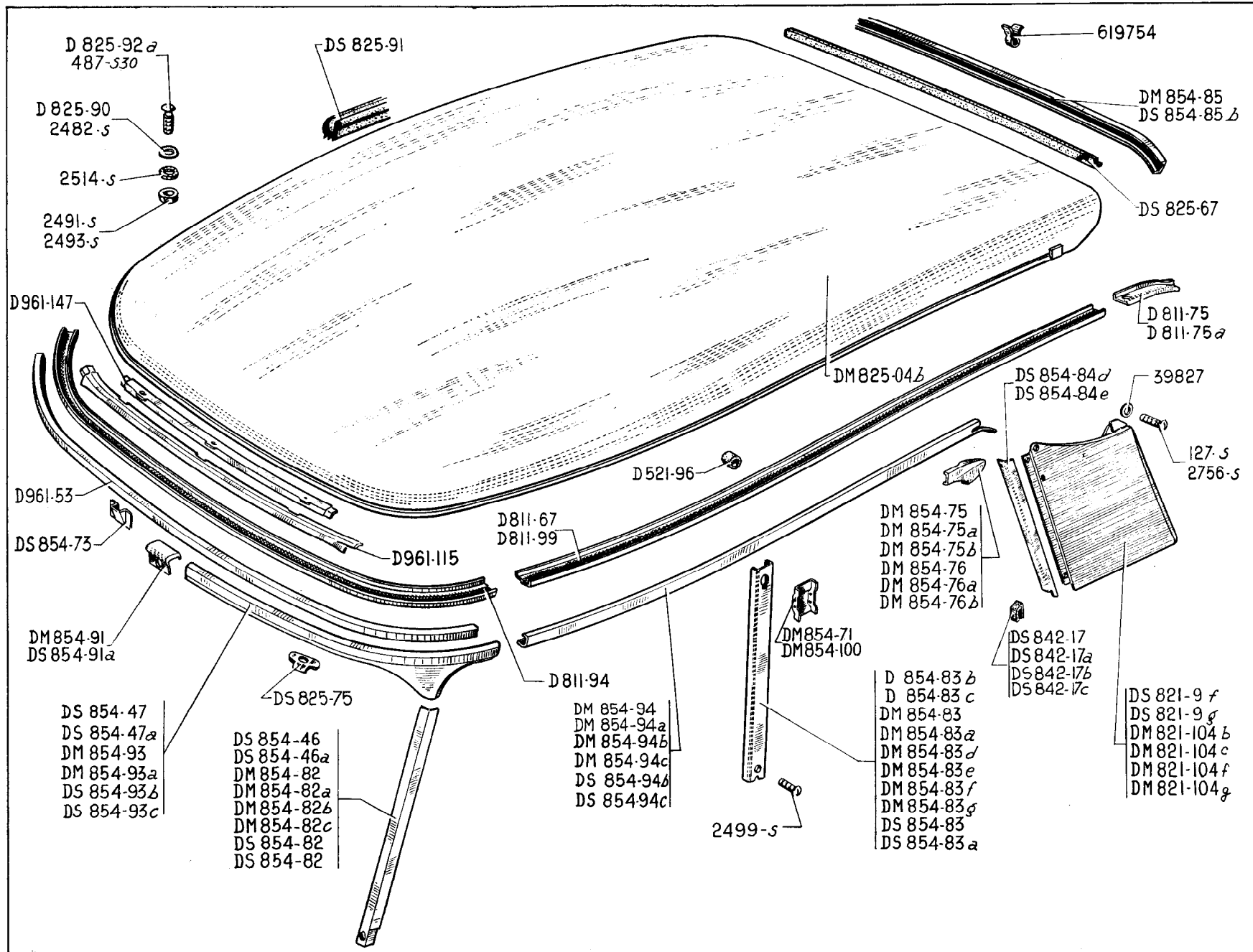


316-BONNET

| NUMBER | DESCRIPTION | No. OFF | NUMBER | DESCRIPTION | No. OFF | NUMBER | DESCRIPTION | No. OFF |
|------------------|--|---------|-------------------|--|---------|-------------------|--|-------------|
| A 961-53 | Striking plate (rubber). | 1 | DS 852-126 | Securing strip for sealing strip, 1,390 mm long. | 1 | | <i>diameter at 223 mm between centres). Until July 1965.</i> | |
| D 521-97 | Washer, rubber, 6 x 20 x 11, for passage of control on dashboard. - Right-hand steering. - Left-hand steering. Confort. Since May 1961. | 1 1 | DS 852-128 | Pin for hinge mechanism, length under head 18 mm, machined part 9.8 mm, diameter threaded 7 diameter x 100 pitch. | 2 | | <i>Replaced by DX 861-149, left-hand or DX 861-150, right-hand.</i> | |
| DS 852-07 | Hinge mechanism, 163 mm between centres, left-hand. | 1 | D 861-05 | Safety catch. | 1 | <u>DX 861-150</u> | Unlocking lever, right-hand. Since July 1965. | 1 |
| DS 852-07a | Hinge mechanism, 163 mm between centres, right-hand. | 1 | D 861-36 | Bolt for bonnet closure, 74 mm long. | 2 | D 861-151 | Cable linking control lever to lock (R. VI). - Right-hand steering. - Left-hand steering. Confort. May 1961 - September 1962. | 1 1 |
| DS 852-2b | Bonnet, (only), with stay fitted on right-hand side. Until September 1962. | 1 | D 861-37 | Lock for bonnet without spring, left-hand. - Right-hand steering. - Left-hand steering. Confort. May 1961 - September 1962. | 1 1 | D 861-154 | Rubber pad, 22 x 39, for unlocking lever. - Right-hand steering. - Left-hand steering. Confort. May 1961 - September 1962. | 2 1 1 |
| DS 852-2c | <i>Bonnet, (only), without front cross piece. September 1962 - September 1964. Replaced by DS 852-2d; order in addition 1-DS 961-146c.</i> | 1 | D 861-37a | Lock for bonnet without spring, right-hand. - Left-hand steering. Confort. Until May 1961. - Left-hand steering. Confort. May 1961 - September 1962. | 2 1 | D 861-155 | Securing plate for rubber pad, for unlocking lever. - Right-hand steering. - Left-hand steering. Confort. May 1961 - September 1962. | 1 1 |
| <u>DX 852-2b</u> | Bonnet (only). Since November 1964. | 1 | | - Left-hand steering. Confort. May 1961 - September 1962. - Left-hand steering. Confort. Since May 1961. | 1 | D 861-159 | Anti-rattle sleeve, for bonnet closure spring (R. VI). - Right-hand steering. - Left-hand steering. Confort. Since September 1962. | 2 2 |
| DS 852-52 | Anchor plate for bonnet stay. Until February 1965. | 1 | D 861-38 | Handle for lock. Until September 1962. | 2 | D 861-162 | Return spring for lock catch, L.H. - Right-hand steering. - Left-hand steering. Confort. May 1961 - September 1962. | 1 1 |
| D 852-64 | Plate, left-hand, for rear sealing strip. | 1 | <u>D 861-84</u> | Washer, fibre, 7.5 x 17 x 1, for central stop (R. VI). Since September 1964. | 1 | DS 861-165a | Unlocking handle (only). Until July 1965. Replaced by DX 861-165. | 2 |
| D 852-64a | Plate, right-hand, for rear sealing strip. | 1 | D 861-122 | Thrust cup, 7.5 x 40 x 12, for bonnet closure spring. | 2 | <u>DX 861-165</u> | Unlocking handle. Since July 1965. | 2 |
| D 852-69 | Rear stop for bonnet. | 3 | D 861-123 | Bonnet closure spring, 35 mm diameter. | 2 | <u>DS 861-166</u> | Sealing bush for unlocking handle. - Right-hand steering. - Left-hand steering. Confort. May 1961 - September 1962. | 1 1 |
| DM 852-92 | Anti-rattle sleeve, (split), 19 x 25 x 20, for bonnet fitting. | 4 | D 861-136 | Return spring for lock catch. - Left-hand steering. Confort. Since September 1962. | 2 | DM 861-167 | Trunnion, securing control cable (R. VI). - Right-hand steering. - Left-hand steering. Confort. May 1961 - September 1962. | 1 1 |
| DS 852-106 | Stay, 785 mm long, fitted on right-hand side. | 1 | | - Left-hand steering. Confort. May 1961 - September 1962. - Right-hand steering. | 1 | | Since September 1962. | 2 |
| D 852-116 | Sealing strip, rubber, rear, 1,500 mm long (U-shaped). | 1 | <u>DX 861-149</u> | Unlocking lever, left-hand. Since July 1965. | 1 | | - Left-hand steering. Confort. May 1961 - September 1962. | 1 |
| DS 852-122 | Retaining catch, left-hand. | 1 | D 861-150 | Unlocking lever (2 holes 3.25 mm | 2 | | - Left-hand steering. Since September 1962. | 2 |
| DS 852-122a | Retaining catch, right-hand. | 1 | | | | | | |
| DS 852-123 | Hook for retaining catch. | 2 | | | | | | |
| D 852-124 | Rear sealing strip. | 1 | | | | | | |

| NUMBER | DESCRIPTION | No. OFF | NUMBER | DESCRIPTION | No. OFF | NUMBER | DESCRIPTION | No. OFF |
|------------|---|---------|---------|--|---------|----------------|--|---------|
| DS 982-46 | <i>Front and central lining for bonnet. September 1962 - September 1964. Replaced by DS 982-46c; order in addition: 1-DS 982-46F, 1-DS 982-46g.</i> | 1 | 2.406-S | Screw, cylindrical head, 7 diameter x 25 long, securing rear buffer. | 2 | 89.114 | <i>Screw, hex. head, 5 diameter x 25 long, securing bonnet stay. Replaced by 285-S 30.</i> | 1 |
| DS 982-46a | <i>Rear, lateral, lining of bonnet, right-hand. September 1962 - March 1965. No longer supplied.</i> | 1 | 2.414-S | Screw, cylindrical head, 7 x 65, securing central buffer. Since September 1964. | 1 | 89.149 | Screw, hex. head, 5 diameter x 18 long, securing retaining catch. | 2 |
| DS 982-46b | <i>Front, lateral, lining for bonnet, right-hand. September 1962 - March 1965. Replaced by DS 982-46g.</i> | 1 | 2.482-S | <i>Washer, 7.5 x 14 for hinge pin. Until April 1965. Replaced by: 624-025 (R. VI).</i> | 2 | 89.591 | Screw, square head, 4 diameter x 8 long, for cable trunnion. | 2 |
| DS 982-46d | <i>Lateral, lining, left-hand. September 1962 - March 1965. Replaced by DS 982-46f.</i> | 1 | 2.491-S | Nut, hex., 7 diameter x 100 pitch (R. III) securing: - rear stop. - hinge pin. | 2 2 | 613.014 | Closing plug for holes for wind-screen washer on bonnet (R. VI). | As nec. |
| DS 982-46e | Central lining for bonnet. Since September 1964. | 1 | 2.493-S | Nut, hex., 7 diameter x 100 pitch, for locking bonnet closure bolt. | 4 | 615.715 | Nut clip for 3.5 mm diameter screw securing support for bonnet lining (R. VI). | 8 |
| DS 982-46f | Lateral lining for bonnet, left-hand. Since March 1965. | 1 | 2.514-S | Washer, shakeproof, 7.3 x 12, securing hinge pin on bonnet and front pillar (R. VI). | 10 | 619.083 | Washer with flat, 7.5 x 25 x 2, for bonnet retaining catch. | 4 |
| DS 982-46g | Lateral lining for bonnet, right-hand. Since March 1965. | 1 | 2.659 | <i>Screw, hex. head, 5 diameter x 13 long, securing safety lock for bonnet. Replaced by 283-S.</i> | 2 | 619.755 | Clip securing rear sealing strip (R. VI). | 4 |
| 64-S | <i>Screw, round head, 4 diameter x 12.5 long, securing retaining catch. Replaced by 2.241-S (R. VI).</i> | 4 | 2.756-S | Screw, P.K. 3.5 x 9.5, securing rear sealing strip (R. VI). | 10 | 621.050 | <i>Screw, hex. head, pointed, 5 diameter x 20 long, securing bonnet catch. Replaced by 484-S 30.</i> | 4 |
| 123-S | <i>Screw, round head, 5 diameter x 10 long, securing hook for retaining catch. Replaced by 2.502-S 30 (R. VI).</i> | 4 | | | | <u>624.025</u> | Washer, flexible, 10.5 x 21 x 1, for securing hinge support, (R. VI). Since April 1965. | 4 |
| 482-S | Screw, hex. head, 7 diameter x 12.5 long, securing hinge on bonnet and front pillar. | 10 | | | | | | |
| 2.334-S | Washer, shakeproof, 5.2 x 9.4, for locking catch spring (R. VI). | 2 | | | | | | |

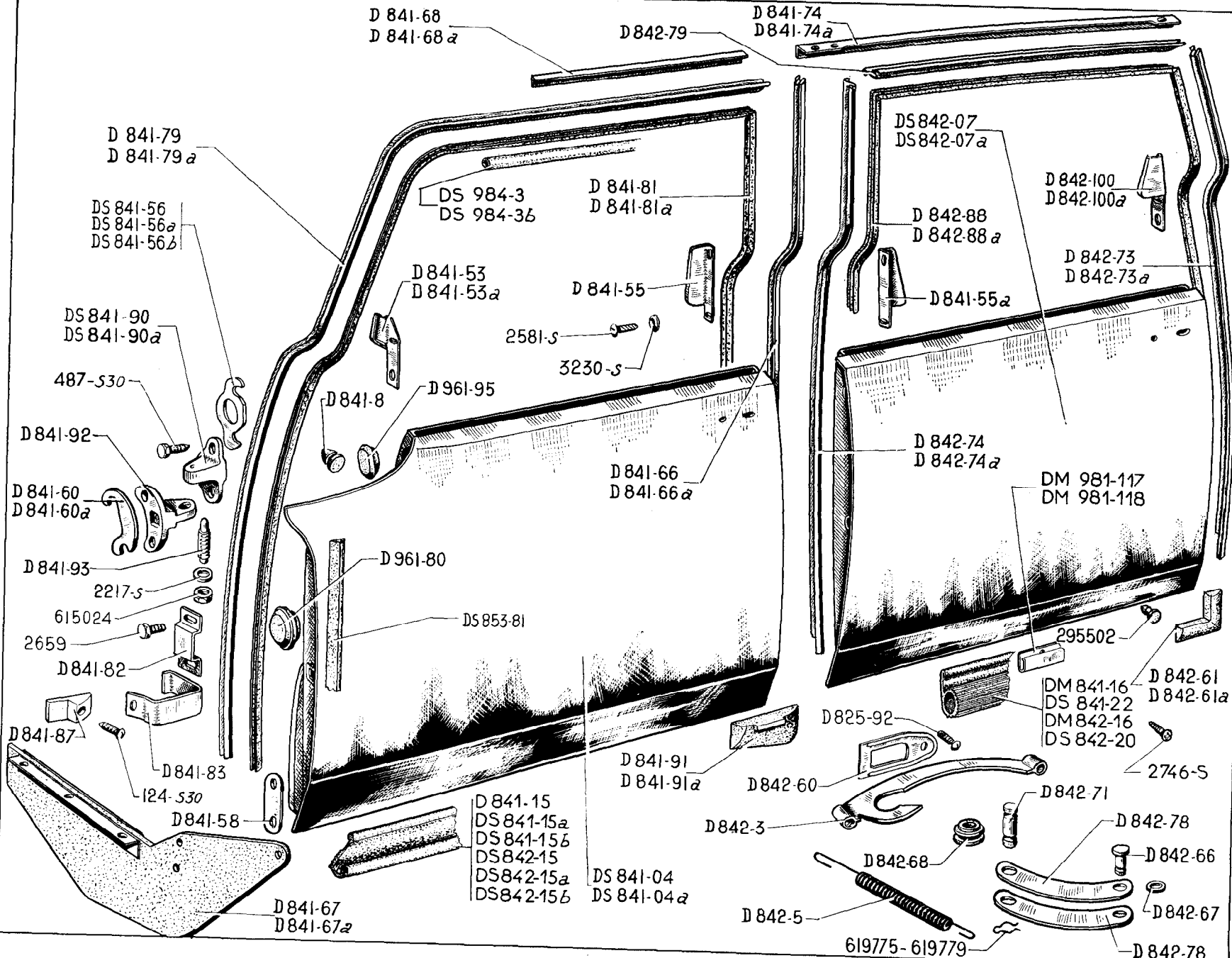
The numbers underlined indicate new parts which do not appear on the illustration.



320-ROOF

| NUMBER | DESCRIPTION | No. OFF | NUMBER | DESCRIPTION | No. OFF | NUMBER | DESCRIPTION | No. OFF |
|-------------|--|---------|------------|---|---------|------------|--|---------|
| D 521-96 | Rubber bush, 8 x 22 x 20, on roof siderail, left-hand. | 1 | D 825-90 | Washer with flat, 7.5 x 20, securing roof. | 17 | DM 854-75b | Finisher, upper, rear, right-hand. LUXE. Since September 1960. | 1 |
| D 811-67 | Roof siderail, right-hand. | 1 | DS 825-91 | Sealing strip, rubber, 4,100 mm long. | 1 | DM 854-76 | Finisher, upper, rear, left-hand. LUXE. Until September 1960. | 1 |
| D 811-75 | Extension for roof siderail, left-hand. | 1 | D 825-92a | Screw, raised head, countersunk, with flat, 7 diameter x 25 long, securing roof. Until May 1961. | 5 | DM 854-76a | Finisher, upper, rear, left-hand. NORMALE. | 1 |
| D 811-75a | Extension for roof siderail, right-hand. | 1 | DS 842-17 | <i>Rubber buffer between quarter panel and rear pillar, 12 mm wide, left-hand. Until October 1962. Replaced by: DS 842-17b.</i> | 1 | DM 854-76b | Finisher, upper, rear, left-hand. LUXE. Since September 1960. | 1 |
| D 811-94 | Roof, siderail, front part. | 1 | DS 842-17a | Rubber buffer between quarter panel and rear pillar, 12 mm wide, right-hand. Until October 1962. | 1 | DM 854-82 | Finisher, upper, for front pillar, left-hand, 415 mm long. LUXE. | 1 |
| D 811-99 | Roof, siderail, left-hand. | 1 | DS 842-17b | Rubber buffer, between quarter panel and rear pillar, 9 mm wide. Since October 1962. | 1 | DM 854-82a | Finisher, upper, for front pillar, right-hand, 415 mm long. LUXE. | 1 |
| DS 821-9f | Quarter panel (corrugated aluminium), 1 fixing lug at upper part, width of corrugation 6 mm, left-hand. U.S.A. Since September 1959. | 1 | DS 842-17c | Rubber buffer, between quarter panel and rear pillar, 9 mm wide. Since October 1962. | 1 | DM 854-82b | Finisher, upper, for front pillar, left-hand (V-shaped). NORMALE. | 1 |
| DS 821-9g | Quarter panel (corrugated aluminium), 1 securing lug at upper part, width of corrugation 6 mm, right-hand. U.S.A. Since September 1959. | 1 | DS 854-46 | Finisher, upper, for front pillar, left-hand (R. VI). CABRIOLET. | 1 | DM 854-82c | Finisher, upper, for front pillar, right-hand (V-shaped). NORMALE. | 1 |
| DM 821-104b | Quarter panel, left-hand (plain). Until September 1959. | 1 | DS 854-46a | Finisher, upper, for front pillar, right-hand (R. VI). CABRIOLET. | 1 | DS 854-82 | Finisher, upper, for front pillar, left-hand. U.S.A. | 1 |
| DM 821-104c | Quarter panel, right-hand (plain). Until September 1959. | 1 | DS 854-47 | Finisher, for windscreen upper cross piece, left-hand (R. VI). CABRIOLET. | 1 | DS 854-82a | Finisher, upper, for front pillar, right-hand. U.S.A. | 1 |
| DM 821-104f | Quarter panel, (corrugated aluminium), 1 lug fixing and upper part, width of corrugation 3 mm, left-hand. Since November 1959. Replaces earlier type. Order in addition: 1-DM 821-104g. | 1 | DS 854-47a | Finisher, for windscreen upper cross piece, right-hand (R. VI). CABRIOLET. | 1 | D 854-83b | Finisher, (plain), for centre pillar, with hole for parking light, left-hand. LUXE. September 1958 - September 1959. | 1 |
| DM 821-104g | Quarter panel, (corrugated aluminium), 1 lug fixing and upper part, width of corrugation 5 mm, right-hand. Since November 1959. Replaces earlier type. Order in addition: 1-DM 821-104f. | 1 | DM 854-71 | Finisher, inner, at the upper part of centre pillar, right-hand. | 1 | DS 854-83c | <i>Finisher, (plain), for centre pillar, with hole for parking light, right-hand. LUXE. September 1958 - September 1959. No longer supplied.</i> | 1 |
| DM 825-04b | Roof, with lining and fixing edge, non-painted. | 1 | DS 854-73 | Clip securing cover joint on roof edge, LUXE. | 1 | DM 854-83 | Finisher, (plain), for centre pillar, without hole for parking light, left-hand. LUXE. Until September 1958. | 1 |
| DS 825-67 | Rear sealing strip, rubber, 1,180 mm long | 1 | DM 854-75 | Finisher, rear, upper, right-hand. LUXE. Until September 1960. | 1 | DM 854-83a | Finisher, (plain), for centre pillar, without hole for parking light, right-hand. LUXE. Until September 1958. | 1 |
| DS 825-75 | Fixing plate for roof, on front pillar (R. VI). | 2 | DM 854-75a | Finisher, upper, rear, right-hand. NORMALE. | 1 | | | |

| NUMBER | DESCRIPTION | No. OFF | NUMBER | DESCRIPTION | No. OFF | NUMBER | DESCRIPTION | No. OFF |
|------------|--|---------|------------|---|---------|------------|--|---------|
| DM 854-83d | Finisher for centre pillar (corrugated aluminium), with hole for parking light, width of corrugation 3 mm, left-hand, LUXE. September 1959 - February 1962. Replaces earlier type; order in addition: 1-DM 854-83e. | 1 | DS 854-85b | Rear finishing border, for roof. U.S.A. Since September 1959. | 1 | DM 865-100 | Finisher, inner, for upper part of centre pillar, left-hand. | 1 |
| DM 854-83e | Finisher for centre pillar (corrugated aluminium), with hole for parking light, width of corrugation 3 mm, right-hand. LUXE. September 1959 - February 1962. Replaces earlier type; order in addition: 1-DM 854-83d. | 1 | DM 854-91 | Cover joint for front finishing border. LUXE. | 1 | D 961-53 | Surround (sheet metal), upper, for windscreen. | 1 |
| DM 854-83f | Finisher, for centre pillar (corrugated aluminium) without hole for parking light, width of corrugation 3 mm, left-hand. LUXE. Since February 1962. | 1 | DS 854-91a | Cover joint for front finishing border. U.S.A. Since September 1959. | 1 | D 961-115 | Central reinforcement, for windscreen surround (outer part). | 1 |
| DM 854-83g | Finisher, for centre pillar (corrugated aluminium) without hole for parking light, width of corrugation 3 mm, right-hand. LUXE. Since February 1962. | 1 | DM 854-93 | Finishing border for front of roof, left-hand. LUXE. | 1 | D 961-147 | Central reinforcement, for windscreen (inner part). | 1 |
| DS 854-83 | Finisher, for centre pillar (corrugated aluminium), without hole for parking light, width of corrugation 6 mm, left-hand. U.S.A. Since September 1959. | 1 | DM 854-93a | Finishing border for front of roof, right-hand. LUXE. | 1 | 127-S | <i>Screw, round head, 5 diameter x 20 long, securing quarter panel (R. VI). Replaced by 2.251-S.</i> | 2 |
| DS 854-83a | Finisher, for centre pillar (corrugated aluminium) without hole for parking light, width of corrugation 6 mm, right-hand. U.S.A. Since September 1959. | 1 | DS 854-93b | Finishing border for front of roof, left-hand. U.S.A. Since September 1959. | 1 | 487-S 30 | Screw, hex. head, 7 diameter x 25 long, securing roof. | 12 |
| DS 854-84d | Finisher, upper for rear pillar, left-hand. U.S.A. Since September 1959. | 1 | DS 854-93c | Finishing border for front of roof, right-hand. U.S.A. Since September 1959. | 1 | 2.482-S | Washer, 7.5 x 14, for screw securing roof. | 5 |
| DS 854-84e | Finisher, upper for rear pillar, right-hand. U.S.A. Since September 1959. | 1 | DM 854-94 | Finishing border, lateral, for siderail, left-hand. LUXE. Until September 1960. | 1 | 2.491-S | Nut, hex., 7 diameter x 100 pitch, locking screws securing roof. | 3 |
| DM 854-85 | Rear finishing border, for roof. LUXE. | 1 | DM 854-94a | Finishing border, lateral, for siderail, right-hand. LUXE. Until September 1960. | 1 | 2.493-S | Nut, hex., 7 diameter x 100 pitch, locking screws securing roof. | 20 |
| | | | DM 854-94b | Finishing border, lateral, for siderail, left-hand. LUXE. Since September 1960. | 1 | 2.499-S | Screw, raised head, countersunk, 3.5 x 9.5, securing finisher on centre pillar (R. VI). | 10. |
| | | | DM 854-94c | Finishing border, lateral, for siderail, right-hand. LUXE. Since September 1960. | 1 | 2.514-S | Washer, shakeproof, 7.3 x 12 for screws securing roof (R. VI). | 5 |
| | | | DS 854-94b | Finishing border, lateral, for siderail, left-hand. U.S.A. Since September 1959. | 1 | 2.756-S | Screw, round head, 3.5 x 9.5, securing quarter panel (R. VI). | 2 |
| | | | DS 854-94c | Finishing border, lateral, for siderail, right-hand. U.S.A. Since September 1959. | 1 | 39.827 | Washer, 5 x 20 x 2, securing quarter panel. | As nec. |
| | | | | | | 619.754 | Clip, securing rear finishing border for roof (R. VI). | 7 |



324—DOORS FRONT AND REAR

| NUMBER | DESCRIPTION | No. OFF | NUMBER | DESCRIPTION | No. OFF | NUMBER | DESCRIPTION | No. OFF |
|------------|--|---------|------------|--|---------|------------|--|---------|
| D 825-92 | Screw, raised head, countersunk, 7 diameter x 20 long, securing plate for door check strap (R. VI). | 4 | D 841-55a | <i>Plate retaining door opening, sealing strip on centre pillar, front right-hand and rear left-hand. Until February 1958. No longer supplied.</i> | 2 | D 841-81 | Sealing strip, for door opening, front, left-hand. | 1 |
| DS 841-04 | Door, front, left-hand, without lock or window winder or bracket. | 1 | DS 841-56 | Adjusting shim, 66 x 35 x 0.5, for pivot pin bearing. | As nec. | D 841-81a | Sealing strip, for door opening, front, right-hand. | 1 |
| DS 841-04a | Door, front, right-hand, without lock or window winder or bracket. | 1 | DS 841-56a | Adjusting shim, 66 x 35 x 1, for pivot pin bearing. | As nec. | D 841-82 | Flange securing door stop spring. | 2 |
| D 841-8 | Flexible buffer, for door openings, 31.5 mm long, 30 mm diameter. | 2 | DS 841-56b | Adjusting shim, 66 x 35 x 1.5, for pivot pin bearing. | As nec. | D 841-83 | Door stop spring (open position). | 2 |
| D 841-15 | <i>Rubber sealing strip, lower, for door, 950 mm long. Until October 1963. Replaced by: DS 841-15a for left-hand side or DS 851-15b for right-hand side.</i> | 2 | D 841-58 | Plate, 26 x 90, securing sealing strip on front pillar, 2 holes 5 mm diameter at 60 mm between centres. | 2 | D 841-87 | Stop for front door, 46 mm long, 2 dowels at 36 mm between centres (R. VI). | 2 |
| DS 841-15a | Rubber sealing strip, lower, for front door, 950 mm long, left-hand side. Since October 1963. | 1 | D 841-60 | Adjusting shim, 41 x 63 x 1, for bracket supporting pivot pin. | As nec. | DS 841-90 | Bearing for door pivot pin, upper, left-hand and lower right-hand, (50 mm between fixing centres). | 4 |
| DS 841-15b | Rubber sealing strip, lower, for front door, 950 mm long, right-hand side. Since October 1963. | 1 | D 841-60a | Adjusting shim, 41 x 63 x 2, for bracket supporting pivot pin. | As nec. | DS 841-90a | Bearing for door pivot pin, lower, left-hand and upper right-hand, (50 mm between fixing centres). | 4 |
| DM 841-16 | Sealing strip for bottom of front door (R. VI). U.S.A. and right-hand steering. Until September 1962. | 2 | D 841-66 | Strip, securing sealing strip, for front door opening, left-hand (for centre pillar). | 1 | D 841-91 | Sealing strip, lower, between front door, left-hand and centre pillar. | 1 |
| DS 841-22 | Sealing strip, lower, for front door, 937 mm long. Since September 1962. | 2 | D 841-66a | Strip, securing sealing strip, for front door opening, right-hand (for centre pillar). | 1 | D 841-91a | Sealing strip, lower, between front door, right-hand and centre pillar. | 1 |
| D 841-53 | <i>Plate securing sealing strip for door opening on front pillar, left-hand. Until February 1958. No longer supplied.</i> | 1 | D 841-67 | Sealing strip, lower, between front door and front wing, left-hand. | 1 | D 841-92 | Bracket for pivot pin, 42 mm between fixing centres. | 8 |
| D 841-53a | <i>Plate retaining sealing strip for door opening on front pillar, right-hand. Until February 1958. No longer supplied.</i> | 1 | D 841-67a | Sealing strip, lower, between front door and front wing, right-hand. | 1 | D 841-93 | Pivot pin for door, 9 diameter x 45 long. | 8 |
| D 841-55 | <i>Plate retaining sealing strip for door opening on centre pillar, front left-hand and rear right-hand. Until February 1958. No longer supplied.</i> | 2 | D 841-68 | Reinforcement, upper, for door opening, front, left-hand. | 1 | DS 842-07 | Door, rear, left-hand, without lock or window winder or bracket. | 1 |
| | | | D 841-68a | Reinforcement, upper, for door opening, front, right-hand. | 1 | DS 842-07a | Door, rear, right-hand, without lock or window winder or bracket. | 1 |
| | | | D 841-74 | Reinforcement, upper, for door opening, rear, left-hand. | 1 | D 842-3 | Door check strap (195 mm between fixing centres). | 2 |
| | | | D 841-74a | Reinforcement, upper, for door opening, rear, right-hand. | 1 | D 842-5 | Compensating spring, for door check strap, 270 mm long. | 4 |
| | | | D 841-79 | Strip, securing sealing strip, for door opening, front, left-hand (roof siderail and front pillar). | 1 | D 842-15 | <i>Rubber sealing strip, lower, for door, 850 mm long. Until October 1963. Replaced by: DS 842-15a for left-hand side or DS 842-15b for right-hand side.</i> | 2 |
| | | | D 841-79a | Strip, securing sealing strip, for door opening, front, right-hand (roof siderail and front pillar). | 1 | | | |

| NUMBER | DESCRIPTION | No. OFF | NUMBER | DESCRIPTION | No. OFF | NUMBER | DESCRIPTION | No. OFF |
|-------------------|---|---------|------------|--|---------|------------------|---|---------|
| DS 842-15a | Sealing rubber for bottom of rear door, 850 mm long, left-hand. Since October 1963. Replaced by DX 842-15. | 1 | D 842-74 | Strip securing sealing strip for door opening, rear, left-hand (for centre pillar). | 1 | <u>DS 984-3c</u> | Rubber moulding for door opening, 2,800 mm long, light grey, (R. VI). Since January 1964. | 4 |
| DS 842-15b | Sealing rubber for bottom of rear door, 850 mm long, right-hand. Since October 1963. Replaced by DX 842-15a. | 1 | D 842-74a | Strip securing sealing strip for door opening, rear, right-hand (for centre pillar). | 1 | 124-S 30 | Screw, round head, 5 diameter x 12.5 long, securing flexible stop (R. VI). Replaced by 2.502-S 30. | 2 |
| DM 842-16 | Sealing strip, for bottom of rear door (R. VI). U.S.A. and right-hand steering. Until September 1962. | 2 | D 842-78 | Link plates for door check straps, distance between fixing centres, 127.5 mm. | 4 | 487-S 30 | Screw, hex. head, 7 diameter x 25 long, securing bracket for door pivot pin. | 32 |
| DS 842-20 | Sealing strip, lower, for rear door, 821 mm long. Since September 1962. | 2 | D 842-79 | Strip securing upper sealing strip for door opening, rear (roof siderail). | 2 | 2.217-S | Washer, plain, 9.5 x 16 x 2, for adjusting door pivot pin. | 8 |
| D 842-60 | Fixing plate for passage of rear door check strap. | 2 | D 842-88 | Sealing strip for left-hand door opening. | 1 | 2.581-S | Screw, P.K. 3.5 x 10, securing plate retaining sealing strip on centre door pillar (R. VI). Until February 1958. | 12 |
| D 842-61 | Sealing strip, lower, between door and rear pillar, left-hand. | 1 | D 842-88a | Sealing strip for right-hand door opening. | 1 | 2.659 | Screw, hex. head, 5 diameter x 13 long securing flange for stop spring. Replaced by 283-S. | 4 |
| D 842-61a | Sealing strip, lower, between door and rear pillar, right-hand. | 1 | D 842-100 | <i>Plate securing sealing strip for door opening on rear pillar, left-hand. Until February 1958. No longer supplied.</i> | 1 | 2.746-S | Screw, P.K. round head, 4.85 x 16, securing lower sealing strip (R. VI). | 8 |
| D 842-66 | Articulating pin for door check strap, 7 mm diameter, length under head 18 mm, 1 groove at 14.5 mm. Until December 1964. Replaced by: DS 842-66a. | 2 | D 842-100a | <i>Plate retaining sealing strip for door opening on rear pillar, right-hand. Until February 1958. No longer supplied.</i> | 1 | 3.230-S | Washer, cupped, 3.5 mm diameter for screw securing plate retaining sealing strip on centre pillar (R. VI). Until February 1958. | 12 |
| <u>DS 842-66a</u> | Articulating pin for door check strap, rear, (7 x 22). Since December 1964. | 2 | DS 853-81 | Sealing strip, rubber, for door. | 4 | 295.502 | Rubber stop for door closure on centre pillar and rear pillar. | 6 |
| D 842-67 | Washer, 7.5 x 15 x 3, for door check strap. | 2 | D 961-80 | Plug, round, 42 mm diameter for lower hole for glass channel adjustment. | 8 | 615.024 | Nut, hex. 9 diameter x 125 pitch, for door pivot pin (R. VI). | 8 |
| D 842-68 | Roller for door check strap (R. VI). | 2 | D 961-95 | Plug, oval, 40 mm diameter for upper hole, for glass channel adjustment. | 8 | 619.775 | Spring clip securing roller spindle for door check strap, 20 mm long (R. VI). | 4 |
| D 842-71 | Pin for roller and for anchoring spring for door check strap, 10 mm diameter, 37 mm long, distance between grooves 20 mm and 28.5 mm. | 4 | DM 981-117 | Sealing strip frame, for bottom of front door. U.S.A. and right-hand steering. ALL TYPES. Since September 1962. | 2 | 619.779 | Spring clip securing pivot in door check strap, 14.5 mm long. | 2 |
| D 842-73 | Strip securing sealing strip, for door opening, rear, left-hand (for rear pillar). | 1 | DM 981-118 | Sealing strip frame, for bottom of rear door. U.S.A. and right-hand steering. ALL TYPES. Since September 1962. | 2 | | | |
| D 842-73a | Strip securing sealing strip for door opening, rear, right-hand (for rear pillar). | 1 | DS 984-3 | Rubber moulding for door opening (R. VI). Sold by the metre. Until January 1963. | As nec. | | | |
| | | | DS 984-3b | Rubber moulding for door opening (R. VI). 2,800 mm grey. January 1963 - January 1964. | 4 | | | |

The numbers underlined indicate new parts which do not appear on the illustration.

328-DOORS-CABRIOLET

| NUMBER | DESCRIPTION | No. OFF | NUMBER | DESCRIPTION | No. OFF | NUMBER | DESCRIPTION | No. OFF |
|------------|--|---------|------------|--|---------|------------|---|---------|
| | SPECIAL PARTS CABRIOLET | | | | | | | |
| DS 854-31 | Tread plate (stainless steel), left-hand (R. VI). | 1 | DS 961-41a | Sealing strip for bonnet stiffener, right-hand (R. VI). | 1 | DS 854-30 | Finisher for tread plate (R. VI). | 2 |
| DS 854-31a | Tread plate (stainless steel), right-hand (R. VI). | 1 | DS 841-11 | Hinge, lower, for door, left-hand (R. VI). | 1 | DS 854-33b | Interior moulding for door (R. VI). | 4 |
| DS 841-67 | Sealing strip for door on rear pillar, left-hand. | 1 | DS 841-11a | Hinge, lower, for door, right-hand (R. VI). | 1 | DS 854-40b | Upper moulding with clips between door and bonnet, left-hand (R. VI). | 1 |
| DS 841-67a | Sealing strip for door on rear pillar, right-hand. | 1 | DS 854-34 | Lining for bottom of door (corrugated aluminium) left-hand (R. VI). | 1 | DS 854-40c | Upper moulding with clips between door and bonnet, right-hand (R. VI). | 1 |
| DS 841-91 | Sealing strip for door on front pillar, left-hand. | 1 | DS 854-34a | Lining for bottom of door (corrugated aluminium) right-hand (R. VI). | 1 | DS 854-41b | Embellisher, with clips, for bottom of body, left-hand (R. VI). | 1 |
| DS 841-91a | Sealing strip for door on front pillar, right-hand. | 1 | DS 981-49 | Sealing strip for door opening (R. VI). | 2 | DS 854-41c | Embellisher, with clips, for bottom of body, right-hand (R. VI). | 1 |
| DS 961-41 | Sealing strip for bonnet stiffener, left-hand (R. VI). | 1 | DS 841-13 | Door only, left-hand (R. VI). | 1 | DS 854-44b | Embellisher, with clips, on angle of door, left-hand (R. VI). | 1 |
| | | | DS 841-13a | Door only, right-hand (R. VI). | 1 | DS 854-44c | Embellisher, with clips, on angle of door, right-hand (R. VI). | 1 |
| | | | DS 841-68 | Sealing moulding for door (R. VI). | 2 | DS 854-32 | Finishing panel for siderail (corrugated aluminium) left-hand (R. VI). | 1 |
| | | | | | | DS 854-32a | Finishing panel for siderail (corrugated aluminium) right-hand (R. VI). | 1 |

DOOR GLASSES—329

| NUMBER | DESCRIPTION | No. OFF |
|-----------|---|---------|
| | SPECIAL PARTS CABRIOLET | |
| DS 961-79 | Door glass channel, 785 mm long, left-hand (R. VI). | 1 |

| NUMBER | DESCRIPTION | No. OFF |
|------------|---|---------|
| DS 961-79a | Door glass channel, 785 mm long, right-hand (R. VI). | 1 |
| DS 961-30c | Sealing strip, outer, for glass, 888 mm long, left-hand (R. VI). | 1 |
| DS 961-30d | Sealing strip, outer, for glass, 888 mm long, right-hand (R. VI). | 1 |

| NUMBER | DESCRIPTION | No. OFF |
|------------|---|---------|
| DS 961-48 | Sealing strip, inner, for door glass, left-hand (R. VI). | 1 |
| DS 961-48a | Sealing strip, inner, for door glass, right-hand (R. VI). | 1 |
| DS 961-4d | Glass for door, 6 mm thick (R. VI). Until June 1962. | 2 |
| DS 961-4f | Glass for door, 5 mm thick. Since June 1962. | 2 |

PARTITION

| NUMBER | DESCRIPTION | No. OFF |
|-----------|--|---------|
| | SPECIAL PARTS BERLINE | |
| D 826-94 | Frame for partition with sliding glass and lining (R. VI). | 1 |
| D 854-56 | Beading securing moquette on centre pillar (R. VI). | 2 |
| D 854-57 | Beading securing moquette on centre pillar (R. VI). | 2 |
| D 853-105 | Beading upper rear for partition (R. VI). | 1 |
| D 853-106 | Beading upper front for partition (R. VI). | 1 |
| D 961-49 | Glass channel for partition (R. VI). | 1 |
| D 961-113 | Guide slide for glass (R. VI). | 2 |
| D 826-52 | Nut "Champion" securing frame (R. VI). | As nec. |

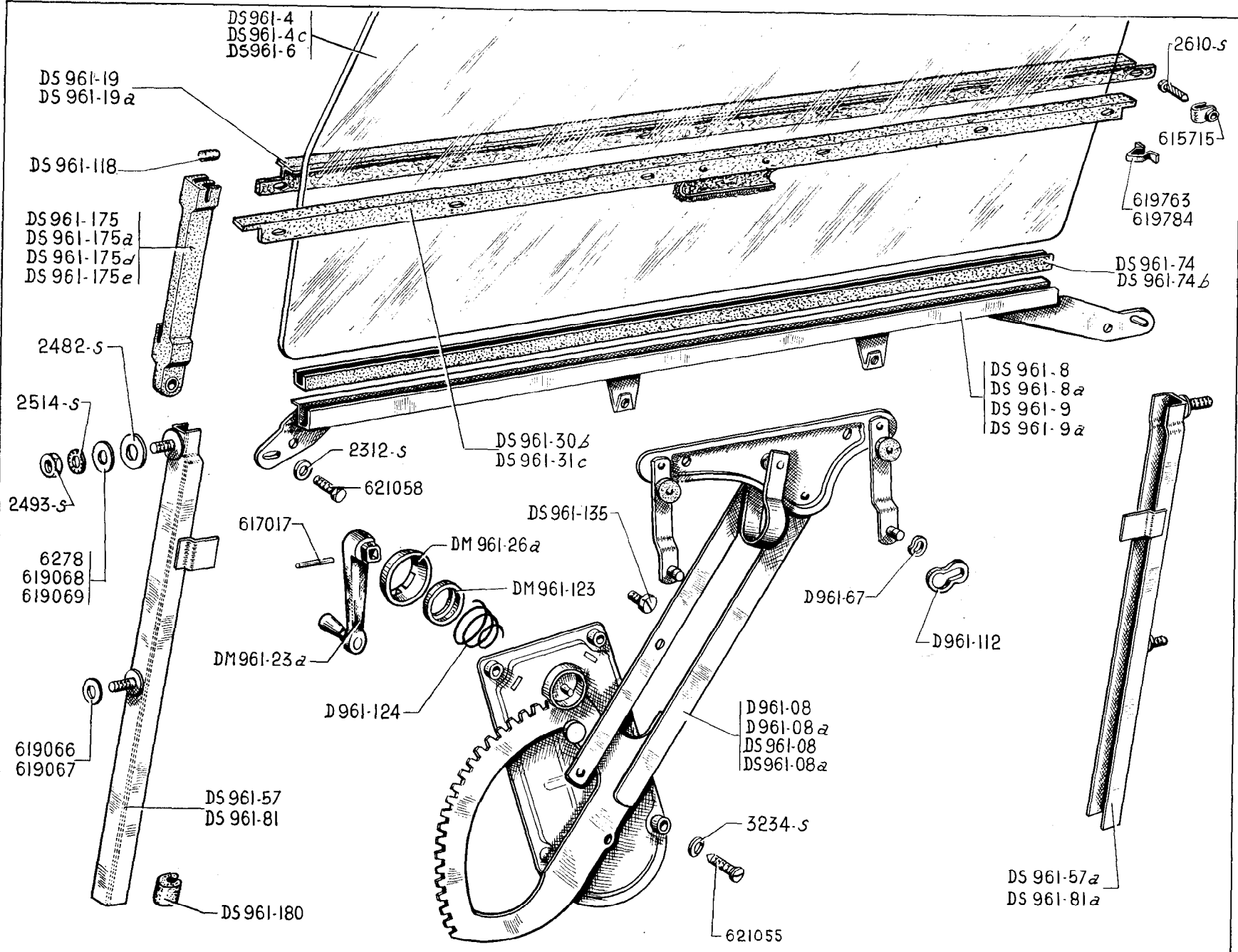
| NUMBER | DESCRIPTION | No. OFF |
|-----------|---|---------|
| D 944-98 | Escutcheon, lower, for handle mounting (R. VI). | 2 |
| D 944-99 | Escutcheon, upper, for handle mounting (R. VI). | 2 |
| D 961-100 | Escutcheon for handle (R. VI). | 1 |
| D 961-48 | Wiper for glass (R. VI). | 1 |
| D 853-109 | Finisher for partition (non-trimmed) (R. VI). | 1 |
| D 854-81 | Ventilation grille, rear (R. VI). | 2 |
| D 853-101 | Lining, lower rear for centre pillar, left-hand (R. VI). | 1 |
| D 853-102 | Lining, lower rear for centre pillar, right-hand (R. VI). | 1 |
| D 853-103 | Lining, upper rear for centre pillar, left-hand (R. VI). | 1 |
| D 853-104 | Lining, upper rear for centre pillar, right-hand (R. VI). | 1 |
| D 853-107 | Lining, front for centre pillar, left-hand (R. VI). | 1 |
| D 853-108 | Lining, front, for centre pillar, right-hand (R. VI). | 1 |
| D 961-2 | Glass for partition (R. VI). | 1 |
| D 961-016 | Window winder for partition (R. VI). | 1 |

| NUMBER | DESCRIPTION | No. OFF |
|-----------|--|---------|
| D 961-36 | Handle for partition window winder (R. VI). | 1 |
| D 853-110 | Panel, rear, for partition, moquette trim (R. VI). | 1 |
| D 944-1 | Handle mounting, trimmed, left-hand (R. VI). | 1 |
| D 944-1a | Handle mounting, trimmed, right-hand (R. VI). | 1 |
| D 854-95 | Sealing strip for front door (R. VI). | 2 |
| D 854-96 | Sealing strip for rear door (R. VI). | 2 |
| D 961-179 | Spring for escutcheon (R. VI). | 1 |
| D 961-83 | Slide for glass (R. VI). | 1 |
| D 813-92 | Centre crossmember, for partition (with leathercloth and glass wiper) (R. VI). | 1 |
| D 813-96 | Crossmember, lower, for frame, (with felt buffers) (R. VI). | 1 |

330—LOCKS—HANDLES

| NUMBER | DESCRIPTION | No. OFF | NUMBER | DESCRIPTION | No. OFF | NUMBER | DESCRIPTION | No. OFF |
|-------------------|---|---------|-------------|---|---------|-------------------|---|---------|
| <u>DS 861-04b</u> | Lock barrel for front door and boot (R. VI). Since April 1963. | 1 | DS 861-35b | <i>Lock barrel for front door. Since April 1963 (R. VI). Replaces previous type; order in addition: 1-DS 861-18b, 1-DS 861-105a, 1-DS 861-04b.</i> | 1 | D 861-116 | Plate for door striking plate on centre and rear pillars, distance between fixing centres 48 mm (R. VI). | 4 |
| D 861-5 | Lock for front door, right-hand, with safety catch (R. VI). | 1 | D 861-62 | Pin for safety catch, for interior handle. | 4 | D 861-117a | Tongue (chrome), for safety catch on interior handle. U. S. A. | 4 |
| D 861-7 | Lock for rear door, with lock catch, left-hand (R. VI). | 1 | D 861-63 | Return spring for safety lock tongue, for interior handle. | 4 | DM 861-117 | Tongue (nylon), for safety catch on interior handle (R. VI). | 4 |
| D 861-7a | Lock for front door, left-hand, with safety catch (R. VI). | 1 | D 861-63 | Return spring for safety lock tongue, for interior handle. | 4 | D 861-118 | Washer, fibre, 10.5 x 26 x 1, for rear inner handle (R. VI). | 4 |
| DS 861-8 | Handle, complete, exterior, for rear door, left-hand. | 1 | D 861-70 | Connecting rod for remote control, 700 mm long. | 4 | D 861-119 | Screw, securing inner handle, 14 mm long, width of head 24 mm. | 4 |
| DS 861-8a | Handle complete, exterior, for rear door, right-hand. Since October 1959. | 1 | D 861-74 | Washer, rubber, 25 x 42, with shoulder for external and inside handle. | 8 | D 861-120 | Washer, 6.4 x 15, for screw securing inner handle (R. VI). | 4 |
| D 861-9 | Lock for rear door, with lock catch, right-hand (R. VI). | 1 | DS 861-76 | Handle, external (only), for front and rear door, left-hand (R. VI). Since October 1959. Replaces earlier type; order in addition: 1-DS 861-132 (R. VI). | 2 | D 861-121 | Locking collar for inner handle. | 4 |
| DS 861-13b | Set of 4 locking barrels for front doors, left and right-hand, for boot and switch. Since April 1963. Replaces previous type; order in addition: 3-DS 861-18b (R. VI), 3-DS 861-102a (R. VI), 3-DS 861-132 (R. VI). | 1 | DS 861-76a | Handle, external (only), for front and rear door, right-hand (R. VI). Since October 1959. Replaces earlier type; order in addition: 1-DS 861-132 (R. VI). | 2 | DS 861-132 | Cup retaining push-button (R. VI). | 4 |
| D 861-16 | Return spring for door lock lever (R. VI). | 4 | D 861-79b | Striking plate for front and rear, left-hand doors, 48 mm between fixing centres (3 teeth) (R. VI). | 2 | D 861-149 | Anti-rattle plate, 13 x 18, for connecting rod of remote control. | 8 |
| DS 861-18b | Push-button for front doors (R. VI). Since April 1963. Replaces previous type; order in addition: 1-DS 861-04b (R. VI), 1-DS 861-102a (R. VI). | 2 | D 861-79c | Striking plate for front and rear, right-hand doors, 48 mm between fixing centres (3 teeth) (R. VI). | 2 | D 861-158 | Plate for adjusting striking plate on front and rear doors, 2 mm thick (R. VI). | As nec. |
| DS 861-19a | Push-button for rear door. | 2 | D 861-84 | Washer, fibre, 7.5 x 17 x 1 for rear external handle (R. VI). | 4 | D 861-158a | Plate for adjusting striking plate on front and rear doors, 3 mm thick (R. VI). | As nec. |
| DS 861-21 | Return spring for push-button of door handle. | 4 | D 861-98 | Screw for adjusting push-button, of front door handle, length under head 16 mm. | 2 | <u>DS 861-160</u> | Clip supporting control rod for front door lock. Since December 1964. | 2 |
| D 861-23 | Lockplate securing exterior handle 178 mm long, 1 slot 24.5 mm, 1 hole 7.5 mm. | 4 | D 861-98a | Screw for adjusting push-button, of rear door handle, length under head 51 mm. | 2 | <u>DS 861-174</u> | Bearing for rod controlling rear door lock. Since December 1964. | 2 |
| D 861-24 | Handle, inner, for door, left-hand. U. S. A. | 2 | D 861-100 | Spring for locking catch (R. VI) | 4 | 481-S | Screw, hex. head, 7 diameter x 10 long, securing exterior handle (R. III). | 2 |
| D 861-24a | Handle, inner, for door, right-hand. U. S. A. | 2 | D 861-101 | Nut, hex., 5 diameter x 75 pitch, locking adjusting screw for door handle push-button. | 4 | 2.335-S | Washer, shakeproof, 5.2 mm diameter for screw securing lock (R. VI). Since January 1959. | 12 |
| DM 861-24 | Handle, inner, for door, left-hand. | 2 | D 861-102 | Locking pin for front door handle (R. VI). Until April 1963. | 2 | 2.388-S | Washer, shakeproof, 7.2 x 14 x 0.35, securing striking plate (R. VI). | 8 |
| DM 861-24a | Handle, inner, for door, right-hand. | 2 | DS 861-102a | Locking pin for front door handle Since April 1963. | 2 | 2.516-S 30 | Screw, raised head countersunk, 5 x 16 (R. VI) for securing : - the lock. - the bearing for lock control. | 12 4 |
| DS 861-33 | Circlip for lock barrel (R. VI). | 1 | | | | <u>618.749</u> | Rivet securing the clip supporting the control rod for front door (R. VI). Since December 1964. | 2 |
| | | | | | | 621.505 | Screw, round head, 7 diameter x 27.5 long, securing door striking plate (R. VI). | 8 |

332—WINDOW WINDER (EXCEPT U.S.A.)



| NUMBER | DESCRIPTION | No. OFF | NUMBER | DESCRIPTION | No. OFF | NUMBER | DESCRIPTION | No. OFF |
|------------|--|---------|-------------------|--|---------|-------------|---|---------|
| | FOR GLASS 4 mm thick. | | | | | | | |
| D 961-08 | Window winder (DURA) double arm, for left-hand door (R. VI). Replaced by DS 961-08d. | 2 | DS 961-19a | Sealing strip, inner, for rear door glass, 797 mm long (R. VI). Until April 1965. Replaced by DS 961-19c. | 2 | DS 961-74b | Glazing rubber, for glass, 737 mm long (for glass 5 mm thick, marked with white paint). Since June 1962. | 2 |
| D 961-08a | Window winder (DURA) double arm, for right-hand door (R. VI). Replaced by DS 961-08e. | 2 | <u>DS 961-19b</u> | Sealing strip, inner, for front door glass, 760 mm long (R. VI). Since April 1965. | 2 | DS 961-81 | Side runner, for glass 570 mm long, 2 welded screws at 280 mm between centres: - front of front door, left-hand. - rear of front door, right-hand. | 1 1 |
| DS 961-08 | Window winder (VACHETTE) double arm, for left-hand door (R. VI). 2nd arrangement. Replaced by DS 961-08d. | 2 | <u>DS 961-19c</u> | Sealing strip, inner, for rear door glass, 810 mm long (R. VI). Since April 1965. | 2 | DS 961-81a | Side runner, for glass 570 mm long, 2 welded screws at 280 mm between centres: - front of front door, right-hand. - rear of front door, left-hand. | 1 1 |
| DM 961-08a | Window winder (VACHETTE) double arm, for right-hand door (R. VI). 2nd arrangement. Replaced by DS 961-08e. | 2 | DM 961-23a | Handle for window winder, grey knob. Until September 1965. | 4 | D 961-112 | Lockwasher, securing window winder on bottom of glass (R. VI). | 8 |
| DS 961-4 | Glass for front door (R. VI). Until June 1962. | 2 | DM 961-23b | Handle for window winder (R. VI). Since September 1965. | 4 | DS 961-118 | Rubber packing, upper, 3.5 x 6 for glass slide. Until January 1961. No longer supplied. | 8 |
| DS 961-4c | Glass for front door, 5 mm thick (R. VI). Since June 1962. | 2 | DM 961-26a | Escutcheon for window winder, 45 mm diameter (R. VI). Until September 1965. | 4 | D 961-123 | Friction cup for escutcheon of window winder handle, 21 x 44 x 5.3. | 4 |
| DS 961-6 | Glass for rear door (R. VI). | 2 | DM 961-26b | Escutcheon for window winder (R. VI). Since September 1965. | 4 | D 961-124 | Spring for window winder handle, internal diameter 32 mm and 45 mm. | 4 |
| DS 961-8 | Channel for front door glass, left-hand, 736 mm between fixing centres. | 1 | DS 961-30b | Sealing strip, outer, for front door glass, 777 mm long. | 2 | DS 961-135 | Adjustable stop for window winder (R. VI). | 4 |
| DS 961-8a | Channel for front door glass, right-hand, 736 mm between fixing centres. | 1 | DS 961-31c | Sealing strip, outer, for rear door glass, 835 mm long. | 2 | DS 961-175 | Slide for glass (nylon), 158 mm long (R. VI): - for front of front and rear doors, right-hand. - for rear of front and rear doors, left-hand. For front doors. Until June 1962. | 2 2 |
| DS 961-9 | Channel for rear door glass, left-hand, 793 mm between fixing centres. | 1 | DS 961-57 | Side runner, for glass 540 mm long, 2 welded screws at 280 mm between centres: - front of rear door, left-hand. - rear of rear door, right-hand. | 1 1 | DS 961-175a | Slide for glass (nylon), 158 mm long (R. VI): - for front of front and rear doors, left-hand. - for rear of front and rear doors, right-hand. For front doors. Until June 1962. | 2 2 |
| DS 961-9a | Channel for rear door glass, right-hand, 793 mm between fixing centres. | 1 | DS 961-57a | Side runner, for door glass, 540 mm long, 2 welded screws at 280 mm between centres: - front of rear door, right-hand. - rear of rear door, left-hand. | 1 1 | | | |
| DS 961-19 | Sealing strip, inner, for front door glass, 741 mm long (R. VI). Until April 1965. Replaced by DS 961-19b. | 2 | D 961-67 | Flexible washer, 10.9 x 19.02, for window winder on bottom of glass (R. VI). | 8 | | | |
| | | | DS 961-74 | Glazing rubber, for door glasses, 737 mm long, external diameter 8 mm, internal diameter 4 mm. - Until June 1962. - Since June 1962. | 4 2 | | | |

334-WINDOW WINDER (EXCEPT U.S.A.)

| NUMBER | DESCRIPTION | No. OFF | NUMBER | DESCRIPTION | No. OFF | NUMBER | DESCRIPTION | No. OFF |
|-------------|--|---------|---------|---|---------|---------|--|---------|
| DS 961-175d | Slide for glass (nylon) for glass, 5 mm thick for front door, left-hand and rear door, right-hand (R. VI). Since June 1962. | 2 | 2.610-S | Screw, P.K. 3.5 x 15, securing exterior sealing strip (R. VI). | 8 | 619.067 | Washer, 7.5 x 30 x 2, for adjustment of the lower part of the side runner (R. IV). | As nec. |
| DS 961-175e | Slide for glass (nylon), for glass, 5 mm thick for front door, right-hand and rear door, left-hand (R. VI). Since June 1962. | 2 | 3.234-S | Washer, cupped, 6 mm diameter securing window winder (R. VI). | 8 | 619.068 | Washer, 7.5 x 20 x 0.5, for adjustment of the upper part of the side runner (R. IV). | As nec. |
| DS 961-180 | Rubber protector, for side runner of rear door, 30 mm long (R. VI). | 4 | 6.278 | Washer, 7.5 x 20 x 2, for adjustment of the upper part of the side runner. | As nec. | 619.069 | Washer, 7.5 x 20 x 1, for adjustment of the upper part of the side runner (R. II). | As nec. |
| 2.312-S | Washer, 5.5 x 9, securing bottom of glass. | 8 | 615.715 | Nut clip for screws securing exterior sealing strip (R. VI). | 8 | 619.763 | Clip securing inner sealing strip for door glass (R. VI). | 24 |
| 2.482-S | Washer, plain, 7.5 x 14, securing side runner at the upper part. | 4 | 617.017 | Pin, cylindrical, 3 diameter x 20.5 long, securing window winder handle (R. IV). | 4 | 619.784 | Clip securing outer sealing strip for door glass (R. VI). | 24 |
| 2.493-S | Nut, hex., 7 diameter x 100 pitch, locking side runner. | 8 | 619.066 | Washer, 7.5 x 30 x 1 for adjustment of the lower part of the side runner (R. IV). | As nec. | 621.055 | Screw, knurled head, 5 diameter x 12.5 long, securing window winder (R. VI). | 16 |
| 2.514-S | Washer, shakeproof, 7.3 x 12, securing side runner (R. VI). | 8 | | | | 621.058 | Screw, hex. head, 5 diameter x 9 long, securing slide on bottom of glass (R. IV). | 8 |

DS 961-4c
DS 961-6c

DS 961-19
DS 961-19a

2610-s

615715

619763
619784

DS 961-175d
DS 961-175e

DS 961-74b

2482-s

2514-s

2493-s

6278
619068
619069

619066
619067

DW961-23

DS 961-57
DS 961-81

DS 961-180

2312-s
621058

DS 961-30z
DS 961-31c

DS 961-8b
DS 961-8c
DS 961-9b
DS 961-9c

617017

D 961-26

DS961-135

D 961-123

D 961-112

D 961-67

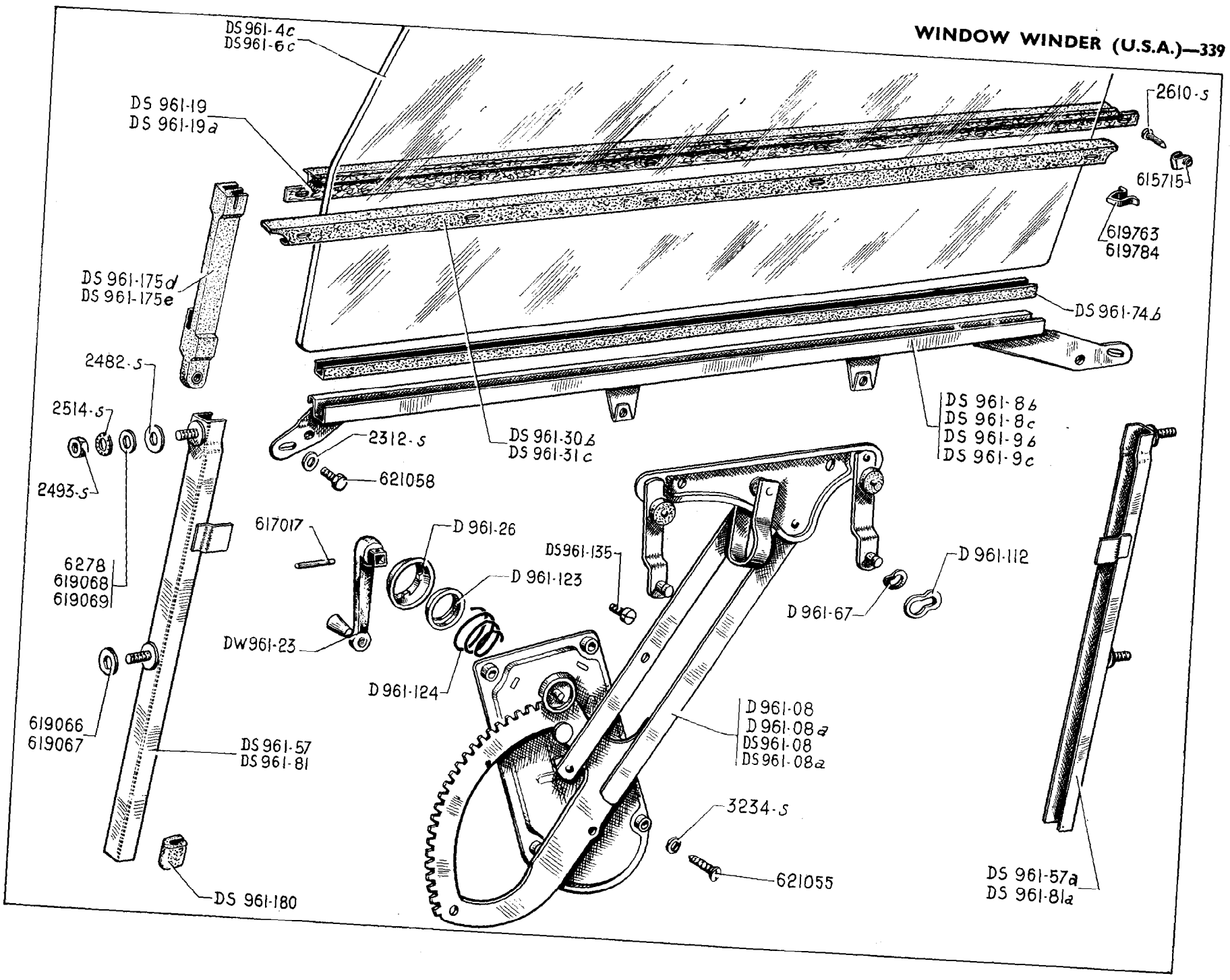
D 961-124

D 961-08
D 961-08a
DS 961-08
DS 961-08a

3234-s

621055

DS 961-57a
DS 961-81a



| NUMBER | DESCRIPTION | No. OFF | NUMBER | DESCRIPTION | No. OFF | NUMBER | DESCRIPTION | No. OFF |
|------------|--|---------|-------------|--|---------|-------------|--|---------|
| | Until December 1961 GLASS. 6 mm thick. | | | | | | | |
| D 961-08 | Window winder (DURA) two arms, for left-hand door (R. VI). Replaced by DS 961-08d. | 2 | D 961-26 | Escutcheon for window winder handle, 45 mm diameter. | 4 | DS 961-175c | Slide for glass (nylon) 158 mm long. (R. VI): - front of front and rear doors, R.H. - rear of front and rear doors, L.H. | 2 2 |
| D 961-08a | Window winder (DURA) two arms, for right-hand door (R. VI). Replaced by DS 961-08e. | 2 | DS 961-30b | Sealing strip, external for front door glass, 777 mm long. | 2 | DS 961-180 | Protector, rubber, for side runner, for rear door glass, 30 mm long (R. VI). | 4 |
| DS 961-08 | Window winder (VACHETTE) two arms, for left-hand door (R. VI). 2nd possibility. Replaced by DS 961-08d. | 2 | DS 961-31c | Sealing strip, external for rear door glass, 835 mm long. | 2 | 2.312-S | Washer, 5.5 x 9, securing door glass channel. | 8 |
| DS 961-08a | Window winder (VACHETTE) two arms, for right-hand door (R. VI). 2nd possibility. Replaced by DS 961-08e. | 2 | DS 961-57b | Side runner for glass, 540 mm long, 2 welded screws at 280 mm between centres: - front of rear door, left-hand. - rear of rear door, right-hand. | 1 1 | 2.482-S | Washer, plain, 7.5 x 14, securing upper part of side runner. | 4 |
| DS 961-4b | Glass for front door (R. VI). Replaced by DS 961-4c; order in addition: 1-DS 961-81, 1-DS 961-81a, 1-DS 961-74b, 1-DS 961-175d (R. VI), 1-DS 961-175e (R. VI). | 2 | DS 961-57c | Side runner for glass, 540 mm long, 2 welded screws at 280 mm between centres: - front of rear door, right-hand. - rear of rear door, left-hand. | 1 1 | 2.493-S | Nut, hex., 7 diameter x 100 pitch, locking side runner. | 8 |
| DS 961-6b | Glass for rear door (R. VI). Replaced by DS 961-6c; order in addition: 1-DS 961-74b, 1-DS 961-57, 1-DS 961-57a, 1-DS 961-175d (R. VI), 1-DS 961-175e (R. VI). | 2 | D 961-67 | Flexible washer, 10.9 x 19.02 for window winder (R. VI). | 8 | 2.514-S | Washer, shakeproof, 7.3 x 12, securing side runner (R. VI). | 8 |
| DS 961-8b | Channel for front door glass, left-hand, 736 mm between fixing centres. Replaced by DS 961-8. | 1 | DS 961-74 | Glazing rubber, for door glasses, 737 mm long, external diameter 8 mm, internal diameter 4 mm. | 4 | 2.610-S | Screw, P.K. 3.5 x 15, securing external sealing strip (R. VI). | 8 |
| DS 961-8c | Channel for front door glass, right-hand, 736 mm between fixing centres. | 1 | DS 961-81b | Side runner for glass, 570 mm long, 2 welded screws at 280 mm between centres: - front of front door, left-hand. - rear of front door, right-hand. | 1 1 | 3.234-S | Washer, cupped, 6 mm diameter securing window winder (R. VI). | 8 |
| DS 961-9b | Channel for rear door glass, left-hand, 793 mm between fixing centres. Replaced by DS 961-9. | 1 | DS 961-81c | Side runner for glass, 570 mm long, 2 welded screws at 280 mm between centres: - front of front door, right-hand. - rear of front door, left-hand. | 1 1 | 6.278 | Washer, 7.5 x 20 x 2, for adjustment of upper part of glass guide. | As nec. |
| DS 961-9c | Channel for rear door glass, right-hand, 793 mm between fixing centres. Replaced by DS 961-9a. | 1 | DS 961-112 | Lockwasher, for window winder on bottom of glass (R. VI). | 8 | 615.715 | Nut clip for screw securing external sealing strip (R. VI). | 8 |
| DS 961-19 | Sealing strip, inner, for front door glass, 741 mm long (R. VI). Replaced by DS 961-19b. | 2 | DS 961-118 | Rubber packing, upper, 3.5 x 6, for glass slide. Until January 1961. No longer supplied. | 8 | 617.017 | Pin, cylindrical, 3 x 205, securing window winder handle. | 4 |
| DS 961-19a | Sealing strip, inner, for rear door glass, 797 mm long (R. VI). Replaced by DS 961-19c. | 2 | D 961-123 | Friction cup, for window winder handle escutcheon, 21 x 44 x 5.3. | 4 | 619.066 | Washer, 7.5 x 30 x 1, for adjustment of lower part of side runner. | As nec. |
| DS 961-23 | Handle for window winder, white knob. Until August 1961. | 4 | D 961-124 | Spring for window winder handle, internal diameter 32 and 45 mm. | 4 | 619.067 | Washer, 7.5 x 30 x 2, for adjustment of lower part of side runner. | As nec. |
| DW 961-23 | Handle for window winder, black knob. Since August 1961. | 4 | DS 961-135 | Adjustable stop for window winder (R. VI). | 4 | 619.068 | Washer, 7.5 x 20 x 0.5, for adjustment of upper part of side runner. | As nec. |
| | | | DS 961-175b | Slide for glass (nylon), 158 mm long (R. VI): - front of front and rear doors, left-hand. - rear of front and rear doors, right-hand. | 2 2 | 619.069 | Washer, 7.5 x 20 x 1, for adjustment of upper part of side runner. | As nec. |
| | | | | | | 619.763 | Clip securing inner sealing strip, for door glass (R. VI). | 24 |
| | | | | | | 619.784 | Clip securing external sealing strip for door glass (R. VI). | 24 |
| | | | | | | 621.055 | Screw, knurled head, 5 diameter x 12.5 long, securing window winder (R. VI). | 16 |
| | | | | | | 621.058 | Screw, hex. head, 5 x 9, securing slide on channel for door. | 8 |

338—WINDOW WINDER (U.S.A.)

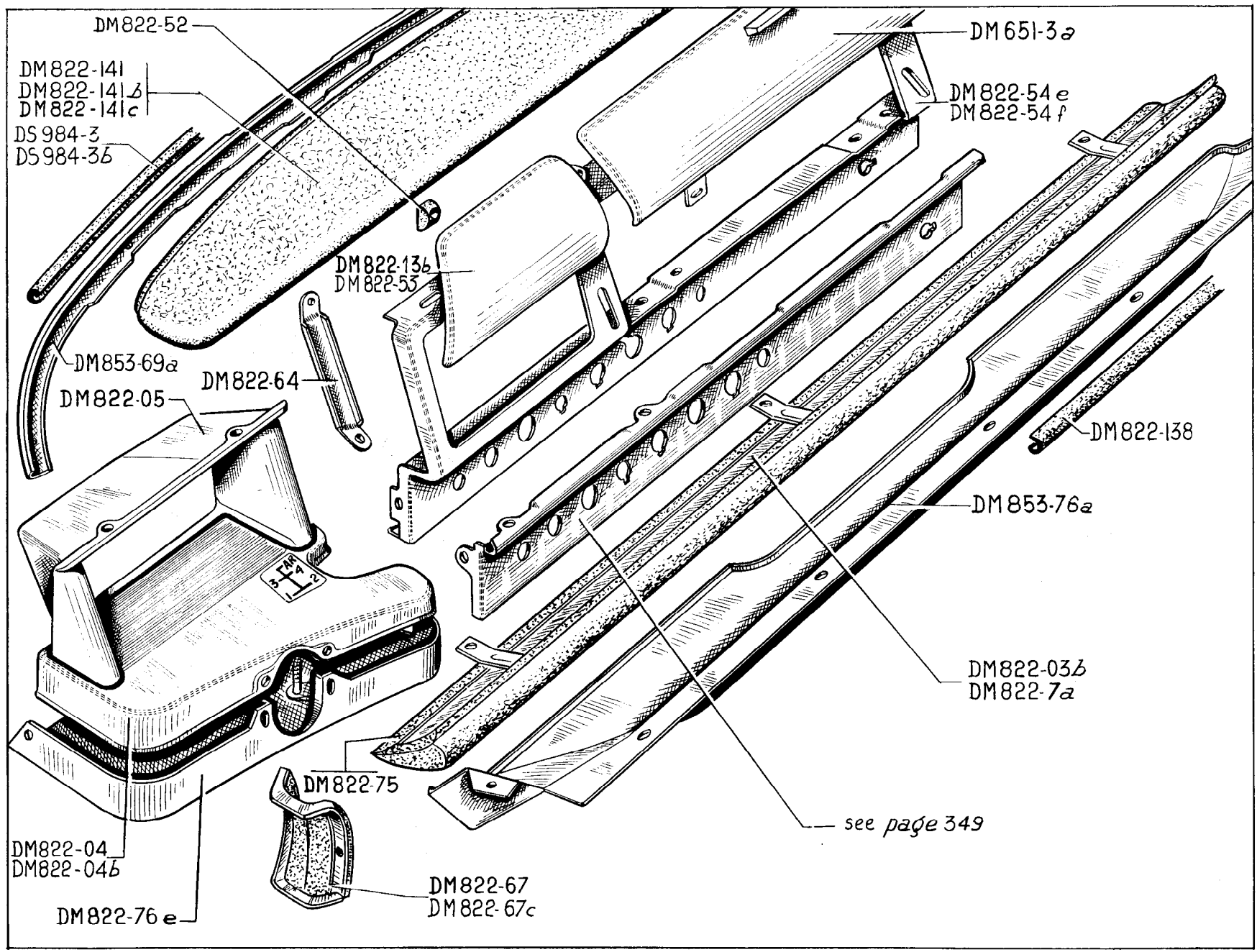
| NUMBER | DESCRIPTION | No. OFF | NUMBER | DESCRIPTION | No. OFF | NUMBER | DESCRIPTION | No. OFF |
|------------|--|---------|-------------|---|---------|---------|--|---------|
| | GLASS - 5 mm thick. Since December 1961 | | | | | | | |
| D 961-08 | Window winder (DURA) two arms, for left-hand door (R. VI). Replaced by DS 961-08d. | 1 | DS 961-57 | Side runner for glass, 540 mm long, 2 welded screws at 280 mm between centres: | | 2.514-S | Washer, shakeproof, 7.3 x 12, securing side runner (R. VI). | 8 |
| D 961-08a | Window winder (DURA) two arms, for right-hand door (R. VI). Replaced by DS 961-08e. | 1 | | - front of rear door, L.H. | 1 | S.610-S | Screw, P.K. 3.5 x 15, securing external sealing strip (R. VI). | 8 |
| DS 961-08 | Window winder (VACHETTE) two arms for left-hand door (R. VI). 2nd possibility. Replaced by DS 961-08d. | 2 | | - rear of rear door, R.H. | 1 | 3.234-S | Washer, cupped, 6 mm diameter, securing window winder (R. VI). | 8 |
| DS 961-08a | Window winder (VACHETTE) two arms for right-hand door (R. VI). 2nd possibility. Replaced by DS 961-08e. | 2 | DS 961-57a | Side runner for glass, 540 mm long, 2 welded screws at 280 mm between centres: | | 6.278 | Washer, 7.5 x 20 x 2, for adjustment of upper part of glass guide. | As nec. |
| DS 961-4c | Glass for front door (R. VI). | 2 | | - front of rear door, R.H. | 1 | | | |
| DS 961-6c | Glass for rear door (R. VI). | 2 | D 961-67 | Flexible washer, 10.9 x 19.02 for window winder (R. VI). | 8 | 615.715 | Nut clip for screw securing external sealing strip (R. VI). | 8 |
| DS 961-8b | Channel for front door glass, left-hand, 736 mm between fixing centres. Replaced by DS 961-8. | 1 | DS 961-74b | Glazing rubber, for door glasses, 737 mm long (marked with white paint). | 4 | 617.017 | Pin, cylindrical, 3 diameter x 20.5 long, securing window winder handle. | 4 |
| DS 961-8c | Channel for front door glass, right-hand 736 mm between fixing centres. | 1 | DS 961-81 | Side runner for glass, 570 mm long, 2 welded screws at 280 mm between centres: | | 619.066 | Washer, 7.5 x 30 x 1, for adjustment of lower part of side runner. | As nec. |
| DS 961-9b | Channel for rear door glass, left-hand 793 mm between fixing centres. Replaced by DS 961-9. | 1 | | - front of front door, left-hand, | 1 | 619.067 | Washer, 7.5 x 30 x 2, for adjustment of lower part of side runner. | As nec. |
| DS 961-9c | Channel for rear door glass, right-hand 793 mm between fixing centres. Replaced by DS 961-9a. | 1 | DS 961-81a | Side runner, for glass, 570 mm long, 2 welded screws at 280 mm between centres: | | 619.068 | Washer, 7.5 x 20 x 0.5, for adjustment of upper part of side runner. | As nec. |
| DS 961-19 | Sealing strip, inner, for front door glass, 741 mm long (R. VI). Until April 1965. Replaced by DS 961-19b. | 2 | | - front of front door, right-hand. | 1 | 619.069 | Washer, 7.5 x 20 x 1, for adjustment of upper part of side runner. | As nec. |
| DS 961-19a | Sealing strip, inner, for rear door glass, 797 mm long (R. VI). Until April 1965. Replaced by DS 961-19c. | 2 | D 961-112 | Lockwasher, for window winder on bottom of glass (R. VI). | 8 | 619.763 | Clip securing internal sealing strip for door glass (R. VI). | 24 |
| DS 961-19b | Sealing strip for front door glass, 760 mm long (R. VI). Since April 1965. | 2 | D 961-123 | Friction cup for window winder handle escutcheon, 21 x 44 x 5.3. | 4 | 619.784 | Clip securing external sealing strip for door glass (R. VI). | 24 |
| DS 961-19c | Sealing strip for rear door glass, 810 mm long. Since April 1965. | 2 | D 961-124 | Spring for window winder handle, internal diameter 32 mm and 45 mm. | 4 | 621.055 | Screw, knurled head, 5 diameter x 12.5 long, securing window winder (R. VI). | 16 |
| DS 961-23b | Handle for window winder (R. VI). Since September 1965. | 4 | DS 961-135 | Adjustable stop for window winder (R. VI). | 4 | 621.058 | Screw, hex. head, 5 diameter x 9 long, securing channel for door glass. | 8 |
| DW 961-23 | Handle for winder winder (black knob). Until September 1965. | 4 | DS 961-175d | Slide for glass (nylon) 158 mm long (R. VI): | | | | |
| D 961-26 | Escutcheon for window winder handle, 45 mm diameter. | 4 | | - front of front and rear doors, L.H. | 2 | | | |
| DS 961-30b | Sealing strip, external, for front door glass, 777 mm long. | 2 | DS 961-175e | Slide for glass (nylon), 158 mm long (R. VI): | | | | |
| DS 961-31c | Sealing strip, external for rear door glass, 835 mm long. | 2 | | - front of front and rear doors, right-hand, | 2 | | | |
| | | | | - rear of front and rear doors, left-hand. | 2 | | | |
| | | | DS 961-180 | Protector, rubber, for side runner, for rear door glass, 30 mm long (R. VI). | 4 | | | |
| | | | 2.312-S | Washer, 5.5 x 9, securing door glass channel. | 8 | | | |
| | | | 2.482-S | Washer, plain, 7.5 x 14, securing upper part of side runner. | 4 | | | |
| | | | 2.493-S | Nut, hex., 7 diameter x 100 pitch, locking side runner. | 8 | | | |

| NUMBER | DESCRIPTION | No. OFF | NUMBER | DESCRIPTION | No. OFF | NUMBER | DESCRIPTION | No. OFF |
|------------|---|---------|-------------------|--|---------|-------------|---|---------|
| DS 575-68 | Plate securing direction indicator on hinge, right-hand, 625 mm long. Until February 1958. | 1 | D 844-72 | Sealing strip, rubber, lateral, for door, 600 mm long. | 2 | DS 861-21 | Return spring for push-button. | 1 |
| DS 575-68a | Plate securing direction indicator on hinge, right-hand, 50 mm long. Since February 1958. | 1 | D 844-87 | Sealing strip, upper, for door, 1,240 mm long. | 1 | D 861-22 | Bolt for lock. | 1 |
| DS 575-69 | Plate securing direction indicator on hinge, left-hand, 65 mm long. Until February 1958. | 1 | D 844-89 | Sealing strip, lower, for door, 1 metre long. | 1 | DS 861-33 | Circlip for lock barrel (R. VI). | 1 |
| DS 575-69a | Plate securing direction indicator on hinge, left-hand, 50 mm long. Since February 1958. | 1 | DS 844-89 | Rubber sealing strip for door (R. VI). P.O. | 1 | D 861-34 | Return spring for lock bolt, 26 mm long. | 1 |
| DM 844-07 | Hinge assembly, left-hand, for rear boot. Since October 1957. Replaces earlier type. Order in addition: 1-DM 844-07a, 1-DS 575-68a, 1-DS 575-69a. | 1 | DM 844-112 | <i>Bracket for stay. Right-hand steering. No longer supplied.</i> | 1 | DS 861-35b | <i>Lock barrel for boot door (R. VI). Since April 1963. Replaced by DS 861-04b; order in addition: 1-DS 861-18b, 1-DS 861-105a.</i> | 1 |
| DM 844-07a | Hinge assembly, right-hand, for rear boot. Since October 1957. Replaces earlier type. Order in addition: 1-DM 844-07, 1-DS 575-68a, 1-DS 575-69a. | 1 | DM 844-113 | Rubber for stay bracket. Right-hand steering. | 1 | D 861-51 | Washer, rubber, 30 x 36 x 2, for push-button guide. | 1 |
| DM 844-19 | Door only. | 1 | <u>DS 844-113</u> | Shaped finisher for boot door entry, 3300 mm long (R. VI). P.O. Since March 1965. | 1 | D 861-53 | Pin, 6 mm diameter, 25.5 mm long under head, for pivot bolt lock. | 1 |
| D 844-23 | Rubber joint between left-hand hinge and boot door, 262 mm long. | 1 | DM 844-117 | Stay, 575 mm long. Until March 1961. | 1 | D 861-57 | Striking plate for lock, 55 mm long, 26 mm between centres. | 1 |
| D 844-23a | Rubber joint between right-hand hinge and boot door, 262 mm long. | 1 | DM 844-120 | Bush for stay, 10 x 28 x 10. | 1 | DS 861-59b | Guide for push-button, 32 mm long (R. VI). | 1 |
| D 844-56b | Stay, male, with bracket for door, left-hand. U. S. A. All Types. Since March 1961. | 1 | DM 844-121 | <i>Pin securing stay, 5 mm diameter, 17 mm long under head. No longer supplied.</i> | 1 | D 861-98b | Screw, for push-button adjustment, length under head 33 mm. | 1 |
| D 844-56c | Stay, male, with bracket for door, right-hand. U. S. A. All Types. Since March 1961. | 1 | D 853-66 | Finishing strip, rubber, between rear window and rear boot door, 1,650 mm long. | 1 | D 861-101 | Nut, hex., 5 diameter x 75 pitch, locking push-button adjusting screw. | 1 |
| DS 844-59 | Spring for door stay. U. S. A. All Types. Since March 1961. | 2 | D 854-4 | Chevron for boot door. U. S. A. | 2 | D 861-102 | Pin for lock barrel (R. VI). Until April 1963. | 1 |
| D 844-61a | Stay, female, for door, 180 mm long. U. S. A. All Types. Since March 1961. | 2 | DM 854-4 | Chevron for boot door. | 2 | DS 861-102a | Pin for locking barrel (R. VI). Since April 1963. | 1 |
| | | | DS 854-77 | Sealing washer, rubber, for chevrons. | 4 | D 861-104 | Lockwasher, 28 x 40, locking push-button guide. | 1 |
| | | | <u>DS 861-04b</u> | Lock barrel for door of boot (R. VI). Since April 1963. | 1 | D 861-105 | Nut, hex., 30 diameter x 150 pitch, locking push-button guide. | 1 |
| | | | DS 861-13b | Set of 4 locking barrels for front doors, left and right-hand, for boot and switch (R. VI). Since April 1963. Replaces earlier type; order in addition: 3-DS 861-18b (R. VI), 3-DS 861-102a (R. VI). | 1 | D 861-107 | Lock housing. | 1 |
| | | | DS 861-18b | Push-button (R. VI). Since April 1963. Replaces earlier type; order in addition: 1-DS 861-35b (R. VI), 1-DS 861-102a (R. VI), 1-DS 861-04b (R. VI). | 1 | | | |

342—REAR BOOT DOOR

| NUMBER | DESCRIPTION | No. OFF | NUMBER | DESCRIPTION | No. OFF | NUMBER | DESCRIPTION | No. OFF |
|------------|---|---------|---------|--|---------|------------------------------------|---|---------|
| D 861-109 | Plate securing flexible buffer, 26 mm long, 26 mm between fixing centres. | 1 | 2.652-S | Screw, P.K. 5 diameter x 15 long, securing lower strip for door (R. VI). | 2 | 621.050 | Screw, hex. head, 5 diameter x 20 long, securing rear boot door lock (R. IV). | 2 |
| D 861-110 | Stop, rubber, 10 x 14 x 26, for striking plate. | 1 | 2.659 | Screw, hex.head, 5 diameter x 13 long, securing striking plate (R. III). | 2 | 624.001 | Flexible washer, 4 mm diameter hole securing chevrons on door (R. VI). | 4 |
| DS 861-112 | Sealing grommet on rear boot door. Since January 1961. | 1 | 3.234-S | Washer, cupped, 6 mm diameter for lower strip of door (R. III). | 2 | SPECIAL PARTS CABRIOLET | | |
| DS 861-129 | Water overflow pipe on push-button guide (R. VI). Since January 1961. | 1 | 88.613 | Washer, plain, 7.5 x 30 x 2.4, securing lower part of hinge (R. III). | 2 | DS 844-013 | Hinge for rear boot door, left-hand (R. VI). | 1 |
| DS 861-132 | Cup retaining push-button guide (R. VI). | 1 | 133.035 | Sealing bush for door (R. IV). | 2 | DS 844-013a | Hinge for rear boot door, right-hand (R. VI). | 1 |
| 2.312-S | Washer, plain, 5.5 x 9, for boot door lock (R. III). | 2 | 233.400 | Rubber stop for door (R. IV). | 2 | DS 844-72 | Sealing strip for rear boot door (R. VI). | 1 |
| 2.319-S | Nut, hex., 5 diameter x 75 pitch, securing upper part of the engine bracket (R. III). | 4 | 619.079 | Washer, (aluminium), 5.5 x 12 x 2, securing hinge (R. IV). | 8 | DS 823-73 | Rear closing panel for rear boot (upper part) (R. VI). | 1 |
| 2.334-S | Washer, shakeproof, 5.2 x 9.4, for boot door lock (R. VI). | 2 | 619.760 | Clip securing rubber between rear window and rear boot door (R. VI). | 12 | DS 844-31 | Rear boot door (R. VI). | 1 |
| 2.491-S | Nut, hex., 7 diameter x 100 pitch, locking lower part of hinge (R. III). | 2 | | | | DS 844-59a | Compensating spring for rear boot door (R. VI). | 1 |

344—FACIA (LEFT-HAND STEERING)



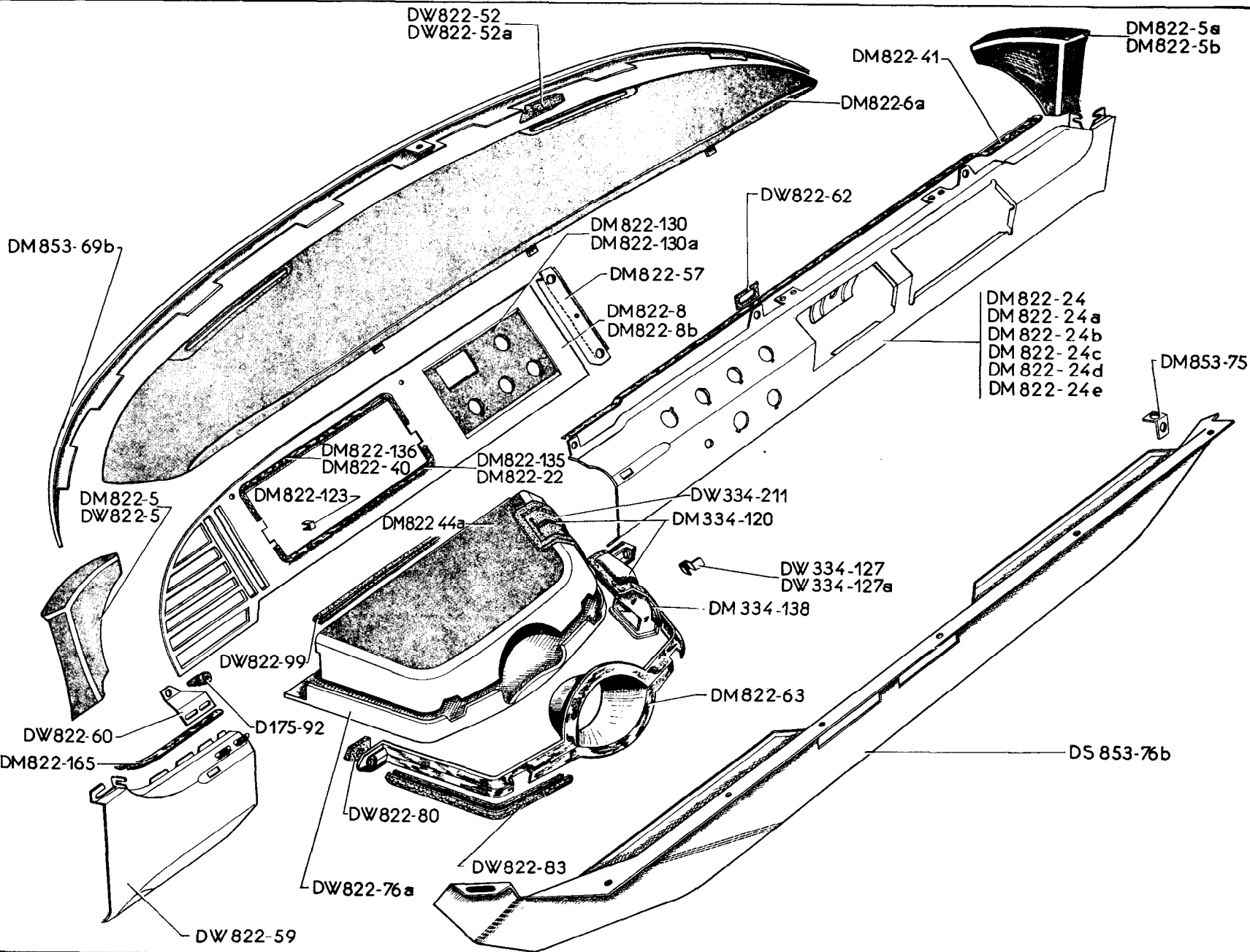
FACIA (LEFT-HAND STEERING)-345D

| NUMBER | DESCRIPTION | No. OFF | NUMBER | DESCRIPTION | No. OFF | NUMBER | DESCRIPTION | No. OFF |
|------------------------------------|---|---------|---------|---|-------------|---------|--|---------|
| BOLTS AND NUTS FOR ASSEMBLY | | | | | | | | |
| 619.755 | Clip for securing trimming on facia panel (R. VI). | 1 | 615.710 | Nut clips (R. VI) for securing: - facia panel. - speedometer surround. - finisher. | 2 3 1 | 619.502 | Washer, cupped, for securing facia panel. | 2 |
| 619.796 | Clip for securing embellishment trim on facia panel (R. VI). | 5 | 615.725 | Nut, (encased) for securing finishing trim (R. VI). | 2 | 2.756-S | Screw, P. K. 3 x 10 for securing facia panel, upper (R. VI). | 2 |
| 615.791 | Nut cage securing deflector on valance (R. VI). Since June 1965. | 2 2 | 2.334-S | Washer, shakeproof, 5.2 x 9.4 (R. VI) for securing: - facia panel. - stop bracket. | 2 2 | 621.506 | Screw, raised head, countersunk, 5 x 20 (R. VI) for securing: - valance. - finishing trim. | 6 2 |
| 2.319-S | Nut, hex., 5 x 75, for securing: - facia panel. - stop bracket. | 2 | 619.133 | Washer, 5.25 x 15 x 1.5 for securing: - bracket for electrical control. - facia panel. - stop bracket. | 2 2 2 | 621.512 | Screw, raised head, countersunk, 4.85 x 19 for securing finishing trim (R. VI). | 2 |
| | | | | | | 621.515 | Screw, raised head, countersunk, 4.85 x 16 for securing bracket on facia panel (R. VI). | 2 |

346-FACIA (RIGHT-HAND STEERING)

| NUMBER | DESCRIPTION | No. OFF | NUMBER | DESCRIPTION | No. OFF | NUMBER | DESCRIPTION | No. OFF |
|------------|---|---------|-------------|--|-------------|----------|---|-------------|
| | Until September 1964 | | | | | | | |
| DM 651-6a | Cover for glove box. | 1 | DM 822-76f | Bracket for electrical and mechanical controls (under steering column) (R. VI). Since September 1962. | 1 | 2.334-S | Washer, shakeproof, 5.2 x 9.4, securing central plate (R. VI). | 5 |
| DM 822-03b | Protection panel, lower on scuttle shelf. | 1 | DM 822-141a | Facia panel, upper, with trimming. Until September 1962. | 1 | 619.122 | Washer, plain, for screw securing stop (R. III). | 1 |
| DM 822-04a | <i>Cover for bracket for electrical and mechanical controls. Until September 1962. Replaced by DM 822-04c; order in addition: 1-DM 822-67d.</i> | 1 | DM 822-141d | Facia panel, upper, with lining and reinforcement for rear view mirror. Since September 1962. | 1 | 63-S | Screw, round head, 4 diameter x 10 long, securing speedometer on surround (R. III). | 2 |
| DM 822-04c | Cover for bracket for electrical and mechanical controls. Since September 1962. | 1 | DM 853-69a | Finishing plate between windscreen and facia panel (without bracket). | 1 | 106-S 30 | Screw, raised head, countersunk, 4 diameter x 17 long, securing speedometer on surround (R. III). | 1 |
| DM 822-05a | Surround for speedometer (R. VI). | 1 | DM 853-76b | Panel under scuttle shelf with fixing plate. | 1 | 2.338 | Screw, hex. head, 5 diameter x 20 long, securing plate on facia panel (R. III). | 1 |
| DM 822-31 | Finishing plate between grille and speedometer surround. | 1 | DS 984-3 | Rubber sealing strip for finishing plate between windscreen and door (R. VI). Sold by the metre. Until January 1963. | As nec. | 2.508-S | Screw, raised head countersunk, 4.85 x 16 securing speedometer surround (R. VI). | 2 |
| DM 822-52 | Rubber stop for facia panel. | 1 | DS 984-3b | Rubber sealing strip for finishing plate between windscreen and door, 2,800 mm long (R. VI). Since January 1963. | 4 | 2.610-S | Screw, P.K. securing cover for electrical and mechanical control bracket (R. VI). | 2 |
| DM 822-53a | Cover for centre of facia panel. | 1 | | BOLTS AND NUTS FOR ASSEMBLY | | 2.665-S | Screw, round head, 5 diameter x 16 long, securing upper facia panel (R. VI). | 3 |
| DM 822-54b | Facia panel (central part). Until September 1960. | 1 | 615.714 | Nut clip securing cover, for centre facia panel (R. VI). | 2 | 2.741-S | Screw, round head, 4.85 x 9, securing lower protection panel (R. VI). | 3 |
| DM 822-54g | Facia panel (central part). Since September 1960. | 1 | 615.728 | Nut clips (R. VI), securing: - facia panel upper. - speedometer surround. | 3 2 | 2.746-S | Screw, round head, 4.85 x 16, securing plate on scuttle (R. VI). | 1 |
| DM 822-64 | Clip securing upper left-hand of facia panel (central part). | 1 | 615.715 | Nut clip securing cover, for electrical and mechanical control bracket (R. VI). | 2 | 2.756-S | Screw, round head, 3 diameter x 10 long, securing cover on centre facia panel (R. VI). | 3 |
| DM 822-67a | Finishing strip for passage of gear change lever. Until September 1962. | 1 | 2.312-S | Washer, plain, 5.5 x 9 (R. III) securing: - facia panel, centre part. - facia panel, upper part. - protection panel, lower. | 3 3 3 | 621.062 | Screw, hex. head, 5 diameter x 14 long, (R. III) securing: - central plate. - finishing panel. - ventilation grille. | 1 1 1 |
| DM 822-67d | Finishing strip for passage of gear change lever. Since September 1962. | 1 | | | | | | |
| DM 822-75 | Rubber padding for lower protection panel. | 1 | | | | | | |
| DM 822-76a | <i>Bracket for electrical and mechanical controls (under steering column) (R. VI). Until September 1962. Replaced by DM 822-76f.</i> | 1 | | | | | | |

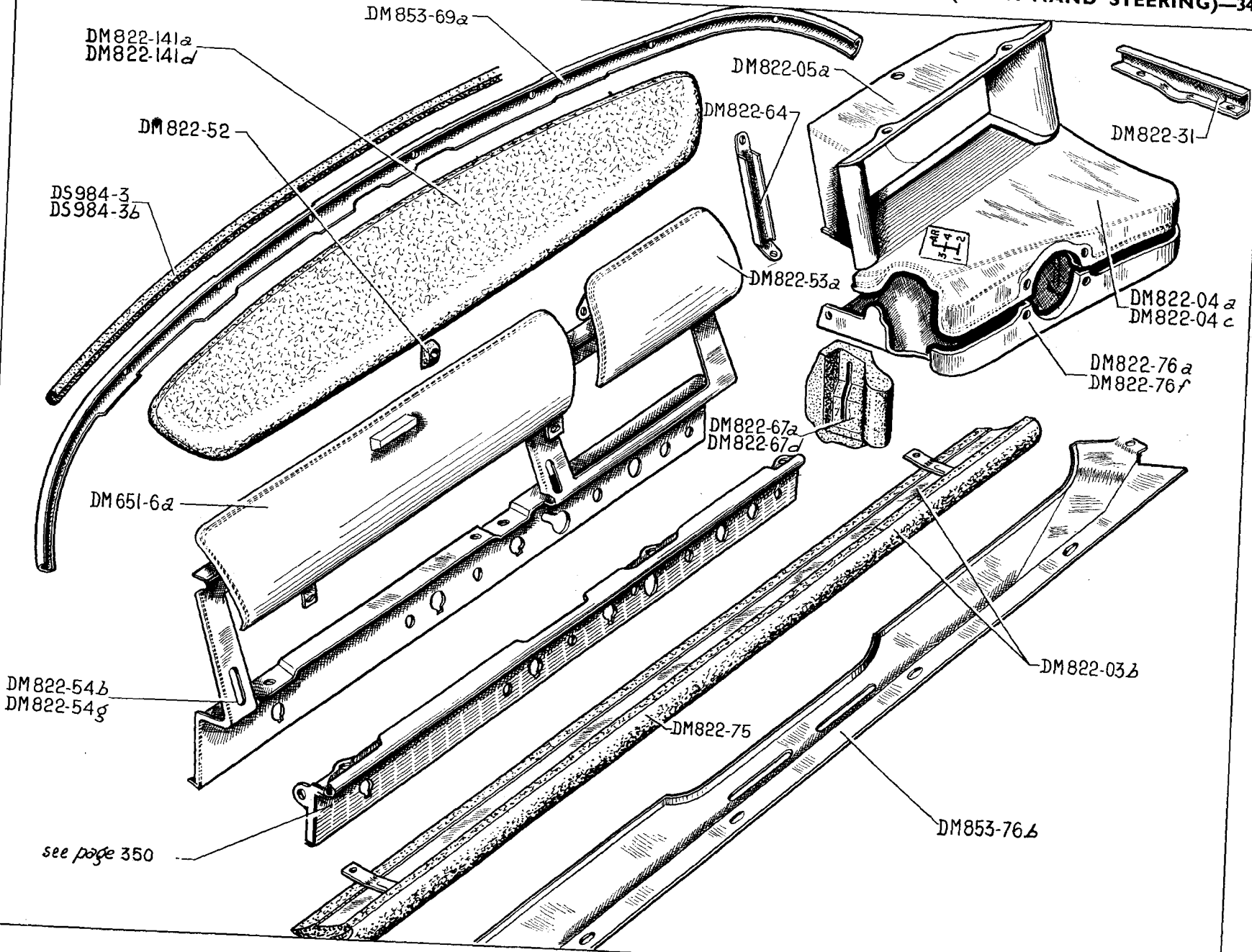
| NUMBER | DESCRIPTION | No. OFF | NUMBER | DESCRIPTION | No. OFF | NUMBER | DESCRIPTION | No. OFF |
|-----------------------------|---|---------|------------------------------------|--|-------------|----------|--|-------------|
| Until September 1964 | | | DM 822-76e | Bracket for electrical and mechanical control (under steering column). | 1 | 2.334-S | Washer, shakeproof, 5.2 x 9.4 securing central plate (R. VI). | 5 |
| DM 651-3a | Cover for glove box. | 1 | DM 822-138 | <i>Finishing moulding for lower protection panel (R. VI). NORMALE. No longer supplied.</i> | 1 | 619.122 | Washer, plain, for screw securing stop. | 1 |
| DM 822-03b | Protection panel, lower, on scuttle shelf. LUXE. | 1 | DM 822-141 | Facia panel, upper, with trimming. | 1 | 63-S | <i>Screw, round head, 4 diameter x 10 long, securing speedometer on surround. Replaced by 2.242-S (R. VI).</i> | 2 |
| DM 822-04 | <i>Cover for bracket for electrical and mechanical controls (R. VI). Until September 1962. Replaced by DM 822-04b; order in addition: 1-DM 822-67c.</i> | 1 | DM 822-141b | Facia panel, upper, with trimming. U. S. A. | 1 | 106-S 30 | <i>Screw, raised head countersunk, 4 diameter x 17 long, securing speedometer on surround. Replaced by 2.102-S 30 (R. VI).</i> | 1 |
| DM 822-04b | Cover for bracket for electrical and mechanical controls (R. VI). Since September 1962. | 1 | DM 822-141c | Facia panel, upper, with trimming and reinforcement for rear view mirror. Since September 1962. | 1 | 2.338 | <i>Screw, hex. head, 5 diameter x 20 long, securing plate on facia panel. Replaced by 284-S.</i> | 1 |
| DM 822-05 | Surround for speedometer (R. VI). | 1 | DM 853-69a | Finishing panel between windscreen and facia panel (without bracket). | 1 | 2.508-S | Screw, raised head countersunk, 4.85 x 16 securing speedometer surround (R. VI). | 2 |
| DM 822-7a | Finishing strip only, lower, on scuttle shelf. NORMALE. | 1 | DM 853-76a | Panel under scuttle shelf, with fixing plate. | 1 | 2.610-S | Screw, P.K. securing cover for mechanical and electrical control bracket (R. VI). | 2 |
| DM 822-13b | Central cover for facia board (arrangement with radio). | 1 | DS 984-3 | Rubber sealing strip for finishing plate between windscreen and doors (R. VI). Sold by the metre. Until January 1963. | As nec. | 2.659 | <i>Screw, hex. head, 5 diameter x 13 long, securing facia panel on scuttle shelf. Replaced by 283-S.</i> | 3 |
| DM 822-52 | Rubber stop for facia panel. | 1 | DS 984-3b | Rubber sealing strip for finishing plate between windscreen and doors (R. VI), 2800 mm long. Since January 1963. | 4 | 2.665-S | Screw, round head, 5 diameter x 16 long, securing upper facia panel (R. VI). | 3 |
| DM 822-53 | Cover for centre of facia panel. | 1 | BOLTS AND NUTS FOR ASSEMBLY | | | 2.741-S | Screw, round head, 4.85 x 9, securing lower protection panel (R. VI). | 3 |
| DM 822-54e | Facia panel (central part). Until September 1960. | 1 | 615.714 | Nut clip securing cover for centre facia panel (R. VI). | 4 | 2.746-S | Screw, round head, 4.85 x 16, securing plate on scuttle (R. VI). | 1 |
| DM 822-54f | Facia panel (central part). Since September 1960. | 1 | 615.728 | Nut clip (R. VI) securing: - upper facia panel. - speedometer surround. | 3 2 | 2.756-S | Screw, round head, 3 diameter x 10 long, securing cover on central facia board (R. VI). | 3 |
| DM 822-64 | Clip securing upper, left-hand of facia panel (central part). | 1 | 2.312-S | Washer, plain. 5.5 x 9 (R. III) securing: - centre of facia panel. - upper part of facia panel. - lower protection panel. | 3 3 3 | 621.062 | Screw, hex. head, 5 diameter x 14 long securing: - central plate. - finishing panel. - ventilation grille. | 1 1 1 |
| DM 822-67 | Finishing strip for passage of gear lever. Until September 1962. | 1 | | | | | | |
| DM 822-67c | Finishing strip for passage of gear lever. Since September 1962. | 1 | | | | | | |
| DM 822-75 | Rubber strip for lower protection panel. LUXE. | 1 | | | | | | |



345A—FACIA (LEFT-HAND STEERING)

| NUMBER | DESCRIPTION | No. OFF | NUMBER | DESCRIPTION | No. OFF | NUMBER | DESCRIPTION | No. OFF |
|-------------|--|---------|------------|---|---------|------------------|---|---------|
| | Since September 1964 | | | | | | | |
| D 175-92 | Rubber stop. | 1 | DM 822-24b | <i>Facia, lower, with holes for front and rear heating switches and parking lights, right-hand. Replaced by DV 822-24b.</i> | 1 | DM 822-63 | Finishing for steering passage. BERLINE. | 1 |
| DM 334-120 | Rubber trim with finisher for passage of change speed lever. | 1 | DM 822-24c | Facia, lower, right-hand. ITALY. | 1 | <u>DW 822-63</u> | Finishing for steering passage. (R. VI). CABRIOLET. | 1 |
| DW 334-127 | Clip for securing finisher and trim (R. VI). | 1 | DM 822-24d | <i>Facia, lower, with hole for front heating, right-hand. ITALY. Replaced by DM 822-24.</i> | 1 | DW 822-76a | Bracket for electrical control. | 1 |
| DW 334-127a | Clip for securing finisher and trim (R. VI). | 3 | DM 822-24e | <i>Facia, lower, with holes for front and rear heating and ventilation blower, right-hand. ITALY. Replaced by DV 822-24c.</i> | 1 | DW 822-80 | Rubber packing for finisher in steering passage. | 2 |
| DM 334-138 | Finishing trim for passage of change speed lever. | 1 | DM 822-40 | Trim, upper, with clips for speedometer surround (R. VI). | 1 | DW 822-83 | Finisher for electrical control bracket and cover, 135 mm long. | 2 |
| DW 334-211 | Rubber trim for passage of change speed lever (R. VI). | 1 | DM 822-41 | Embellishment trim between facia and speedometer surround, 757 mm long (R. VI). | 1 | DM 822-86 | Finishing trim between facia panel and defrosting nozzle (R. VI). Since November 1965. | 2 |
| DM 822-5 | Facia, upper, trimmed, left-hand. | 1 | DM 822-44a | Cover for support of electrical control. | 1 | DW 822-99 | Finishing trim between facia panel and cover, 105 mm long (R. VI). | 1 |
| DM 822-5a | Facia, upper, trimmed, right-hand. | 1 | DW 822-52 | Flexible packing for facia bracket, upper part, 15 mm high (R. VI). | 4 | DM 822-123 | Clip for securing finisher on speedometer surround (R. VI). | 8 |
| DM 822-5b | Facia, upper, trimmed, for front heating, right-hand. | 1 | DW 822-52a | Flexible packing for facia bracket, lateral part, 11 mm high (R. VI). | 4 | DM 822-130 | Finishing trim for speedometer surround. LUXE. | 1 |
| DW 822-5 | Facia, upper, trimmed, for front heating, left-hand. | 1 | DM 822-57 | Support for joint between upper and lower facia. | 1 | DM 822-130a | Finishing trim for speedometer surround. CONFORT. | 1 |
| DM 822-6a | Facia, upper, (central part) with trim. | 1 | DM 822-59a | Facia panel, lower, with holes for front and rear heating, left-hand. | 1 | DM 822-135 | Trimming, lower, for speedometer surround (R. VI). | 1 |
| DM 822-8 | Surround for speedometer. | 1 | DW 822-60 | Support for flexible stop on facia board. | 1 | DM 822-136 | <i>Trimming, upper, for speedometer surround (R. VI). Replaced by DM 822-22.</i> | 1 |
| DM 822-8b | Surround for speedometer, front and rear heating, with place for clock. | 1 | DW 822-62 | Sound deadening packing between facia board and bracket (40 x 20 x 0.8). | 3 | DM 822-165 | <i>Embellishment trimming between facia board and speedometer surround, 112 mm long (R. VI). Replaced by DM 822-40.</i> | 1 |
| DM 822-22 | Trim, lower, with clips, for speedometer surround (R. VI). | 1 | | | | <u>DS 853-2n</u> | Trimming panel under scuttle (with radio fitted). Since June 1965. | 1 |
| DM 822-24 | Facia, lower, with holes for parking light switch, right-hand. | 1 | | | | DM 853-69b | Finishing panel between windscreen and facia panel. | 1 |
| DM 822-24a | Facia, lower, with holes for front heater switch and parking lights, right-hand. | 1 | | | | DS 853-75 | Clip for securing finishing panel. | 1 |
| | | | | | | DS 853-76b | Finishing panel under scuttle. | 1 |

FACIA (RIGHT-HAND STEERING)—347



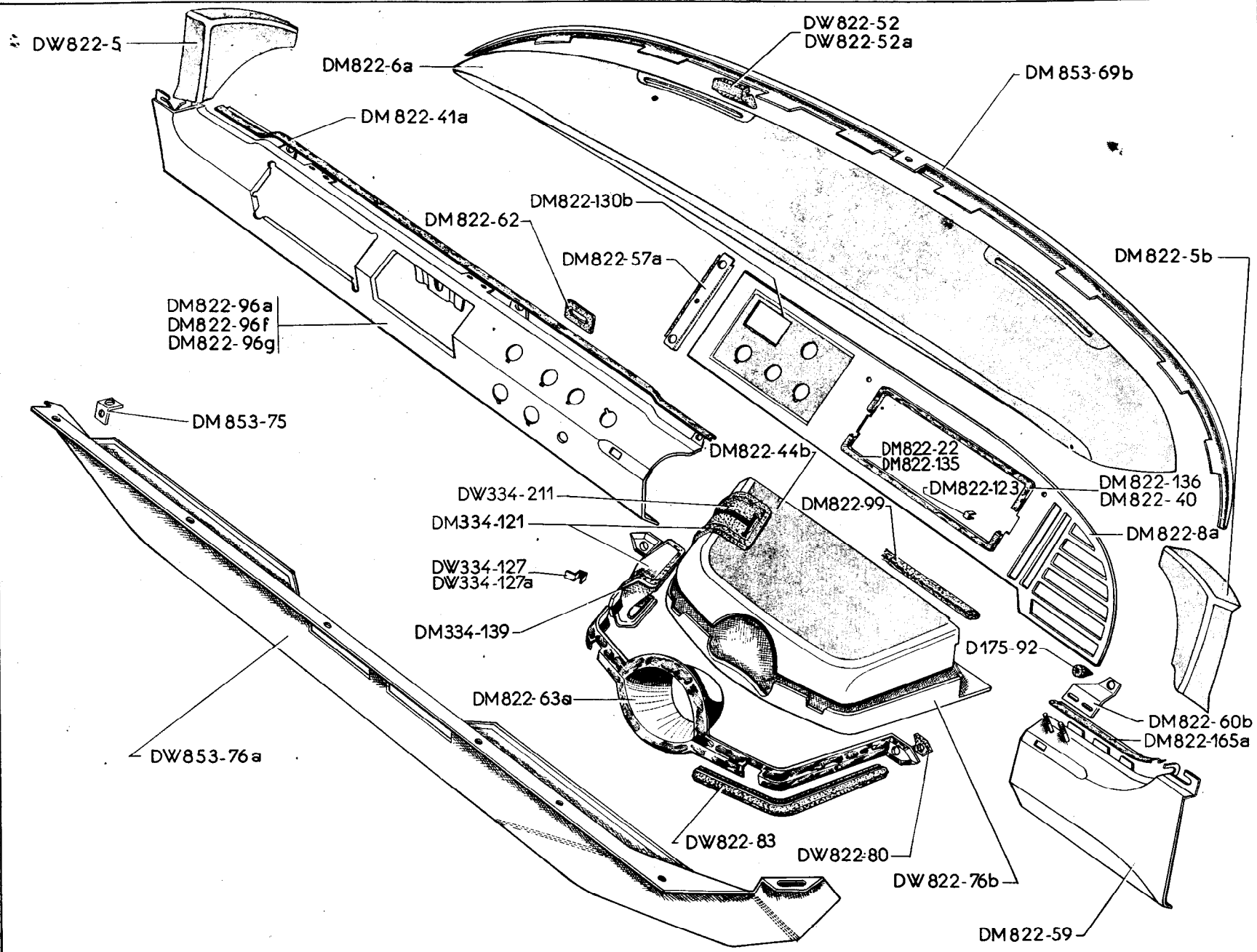
see page 350

| NUMBER | DESCRIPTION | No. OFF | NUMBER | DESCRIPTION | No. OFF | NUMBER | DESCRIPTION | No. OFF |
|-------------|--|---------|------------|---|---------|-------------|--|---------|
| | Since September 1964 | | | | | | | |
| D 715-92 | Rubber stop. | 1 | DW 822-52 | Flexible packing for facia panel support, upper part, 15 mm high (R. VI). | 4 | DM 822-96g | Facia panel, lower, with holes for parking lights, front and rear heating and ventilation blower, left-hand. | 1 |
| DM 334-121 | Rubber lining with finisher for passage of gear change lever. | 1 | DW 822-52a | Flexible packing for facia panel support, lateral part, 11 mm high (R. VI). | 4 | DM 822-99 | Trimming between facia panel and cover, 105 mm long (R. VI). | 1 |
| DW 334-127 | Clip for securing finisher (R. VI). | 1 | DM 822-57a | Support between facia panel, upper and lower part. | 1 | DM 822-123 | Clip for securing trimming on speedometer surround (R. VI). | 8 |
| DW 334-127a | Clip for securing finisher (R. VI). | 3 | DM 822-59 | Facia panel, lower, with holes for front and rear heating, right-hand. | 1 | DM 822-130b | Trim for speedometer surround. | 1 |
| DM 334-139 | Finisher for passage for gear change lever. | 1 | DM 822-60b | Support for rubber stop on facia panel. | 1 | DM 822-135 | Trimming, lower, for speedometer surround (R. VI). | 1 |
| DW 334-211 | Finisher for gear change lever passage (R. VI). | 1 | DM 822-62 | Anti-rattle packing between facia panel and bracket, (40 x 20 x 0.8). | 3 | DM 822-136 | Trimming, upper, for speedometer surround (R. VI). | 1 |
| DM 822-5b | Facia, upper, with trimming and front heater, right-hand. | 1 | DM 822-63a | Finisher for hole for steering column. | 1 | DM 822-165a | Embellishing trim between facia panel and speedometer surround, 112 mm long (R. VI). | 1 |
| DW 822-5 | Facia panel, upper, with finishing and front heater, left-hand. | 1 | DW 822-76b | Bracket for electrical controls. | 1 | DM 853-69b | Metal finisher between windscreen and facia panel. | 1 |
| DM 822-6a | Facia panel, upper (central part) with trimming. | 1 | DW 822-80 | Rubber packing for finisher for hole for steering column. | 2 | DM 853-75 | Clip for securing panel. | 1 |
| DM 822-8a | Speedometer surround. | 1 | DW 822-83 | Finishing strip for electrical control bracket and cover, 135 mm long. | 2 | DW 853-76a | Panel under scuttle shelf. | 1 |
| DM 822-41a | Embellishing trimming between facia panel and speedometer surround, 757 mm long (R. VI). | 1 | DM 822-96a | Facia panel, lower, with hole for parking light, left-hand. | 1 | 2.334-S | Washer, shakeproof, 5.2 x 9.4 (R. VI) for securing: - facia panel. - rubber stop. | 2 2 |
| DM 822-44b | Cover for electrical control bracket. | 1 | DM 822-96f | Facia panel, lower, with holes for parking lights, front heating and ventilation blower, left-hand. | 1 | 2.319-S | Nut, hex., 5 x 75 for securing: - facia panel. - rubber stop. | 2 2 |

346B—FACIA (RIGHT-HAND STEERING)

| NUMBER | DESCRIPTION | No. OFF | NUMBER | DESCRIPTION | No. OFF | NUMBER | DESCRIPTION | No. OFF |
|---------|---|-------------|---------|--|-------------|---------|--|---------|
| 2.756-S | Screw, P.K. 3 x 10 for securing facia panel, upper (R. VI). | 2 | 619.133 | Washer, 5.25 x 15 x 1.5 for securing: - facia panel. - electrical control bracket. - rubber stop. | 2 2 2 | 621.506 | Screw, raised head, countersunk, 5 x 20 (R. VI) for securing: - finishing panel. - finisher. | 6 2 |
| 615.710 | Nut clip (R. VI), for securing: - facia panel. - speedometer surround. - finisher. | 2 3 1 | 619.502 | Washer for securing facia panel. | 2 | 621.512 | Screw, raised head, countersunk, 4.85 x 15.9 for securing finisher (R. VI). | 2 |
| 615.725 | Nut encased for securing finisher (R. VI). | 2 | 619.755 | Clip for securing trim on facia panel (R. VI). | 1 | 621.515 | Screw, raised head, countersunk, 4.85 x 16 for securing facia panel on bracket (R. VI). | 1 |

347A—FACIA (RIGHT-HAND STEERING)



| NUMBER | DESCRIPTION | No. OFF | NUMBER | DESCRIPTION | No. OFF | NUMBER | DESCRIPTION | No. OFF |
|-----------------------------|--|---------|------------------|--|---------|------------------|--|---------|
| Since September 1964 | | | DM 822-44b | Cover for electrical control bracket. | 1 | DM 822-96a | Facia panel, lower, with hole for parking light, left-hand. | 1 |
| D 175-92 | Rubber stop. | 1 | DW 822-52 | Flexible packing for facia panel support, upper part, 15 mm high (R. VI). | 4 | DM 822-96f | Facia panel, lower, with holes for parking lights, front heating and ventilation blower, left-hand. | 1 |
| DM 334-121 | Rubber lining with finisher for passage of gear change lever. | 1 | DW 822-52a | Flexible packing for facia panel support, lateral part, 11 mm high (R. VI). | 4 | DM 822-96g | Facia panel, lower, with holes for parking lights, front and rear heating and ventilation blower, left-hand. | 1 |
| DW 334-127 | Clip for securing finisher (R. VI). | 1 | DM 822-57a | Support between facia panel, upper and lower part. | 1 | DM 822-99 | <i>Trimming between facia panel and cover, 105 mm long (R. VI). Replaced by DW 822-99.</i> | 1 |
| DW 334-127a | Clip for securing finisher (R. VI). | 3 | DM 822-59 | Facia panel, lower, with holes for front and rear heating, right-hand. | 1 | <u>DW 822-99</u> | Trimming between facia panel and cover, 105 mm long (R. VI). | 1 |
| DM 334-139 | Finisher for passage for gear change lever. | 1 | DM 822-60b | Support for rubber stop on facia panel. | 1 | DM 822-123 | Clip for securing trimming on speedometer surround (R. VI). | 8 |
| DW 334-211 | Finisher for gear change lever passage (R. VI). | 1 | DM 822-62 | <i>Anti-rattle packing between facia board and bracket (40 x 20 x 0.8). Replaced by DW 822-62.</i> | 3 | DM 822-130b | Trim for speedometer surround. | 1 |
| DM 822-5b | Facia, upper, with trimming and front heater, right-hand. | 1 | <u>DW 822-62</u> | Anti-rattle packing between facia board and bracket (40 x 20 x 0.8). | 3 | DM 822-135 | Trimming, lower, for speedometer surround (R. VI). | 1 |
| DW 822-5 | Facia board, upper, with finishing and front heater, left-hand. | 1 | DM 822-63a | Finisher for hole for steering column. | 1 | DM 822-136 | Trimming, upper, for speedometer surround (R. VI). | 1 |
| DM 822-6a | Facia board, upper, (central part) with trimming. | 1 | DW 822-76b | Bracket for electrical controls. | 1 | DM 822-165a | Embellishing trim between facia panel and speedometer surround, 112 mm long (R. VI). | 1 |
| DM 822-8a | Speedometer surround. | 1 | DW 822-80 | Rubber packing for finisher for hole for steering column. | 2 | DM 853-69b | Metal finisher between windscreen and facia panel. | 1 |
| DM 822-22 | Trimming, lower, with clips on speedometer surround (R. VI). | 1 | DW 822-83 | Finishing strip for electrical control bracket and cover, 135 mm long. | 2 | DM 853-75 | Clip for securing panel. | 1 |
| DM 822-40 | Trimming, upper, with clips on speedometer surround (R. VI). | 1 | DM 822-86 | Finishing trim between facia board and defrosting nozzle (R. VI). Since November 1965. | 2 | DW 853-76a | Panel under scuttle shelf. | 1 |
| DM 822-41a | Embellishing trimming between facia board and speedometer surround, 757 mm long (R. VI). | 1 | | | | | | |

347C—FACIA (RIGHT-HAND STEERING)

| NUMBER | DESCRIPTION | No. OFF | NUMBER | DESCRIPTION | No. OFF | NUMBER | DESCRIPTION | No. OFF |
|---------|--|-------------|---------|--|-------------|---------|--|---------|
| | BOLTS AND NUTS FOR ASSEMBLY | | | | | | | |
| 619.755 | Clip for securing trimming on facia panel (R. VI). | 1 | 615.725 | Nut encased for securing finisher (R. VI). | 2 | 2.756-S | Screw, P.K., 3 x 10 for securing facia panel, upper (R. VI). | 2 |
| 2.319-S | Nut, hex., 5 x 75, for securing: - facia panel. - rubber stop. | 2 2 | 2.334-S | Washer, shakeproof, 4.2 x 9.4 (R. VI) for securing: - facia panel. - rubber stop. | 2 2 | 621.506 | Screw, raised head, countersunk, 5 x 20 (R. VI) for securing: - finishing panel. - finisher. | 6 2 |
| 615.710 | Nut, clip, (R. VI) for securing: - facia panel. - speedometer surround. - finisher. | 2 3 1 | 619.133 | Washer, 5.25 x 15 x 1.5 for securing: - facia panel. - electrical control bracket. - rubber stop. | 2 2 2 | 621.512 | Screw, raised head, countersunk, 4.85 x 15.9 for securing finisher (R. VI). | 2 |
| | | | 619.502 | Washer, for securing facia panel. | 2 | 621.515 | Screw, raised head, countersunk, 4.85 x 16 for securing facia panel on bracket (R. VI). | 1 |

ORNAMENTAL FINISHER FOR DASHBOARD (SECTION VI) (LEFT-HAND STEERING)-349

| NUMBER | TYPE | Holes drilled for control | | | | REMARKS |
|--------|------|---------------------------|--------------|-------------|------------------|---------|
| | | Windscreen washer | Front heater | Rear heater | Ignition control | |

FRENCH LANGUAGE

| | | | | | | |
|------------|---------|---------|---------|---------|---------|---|
| DM 822-65d | LUXE | without | without | without | with | Until September 1960. Replaced by DM 822-65c. September 1960 - April 1962. April 1962 - September 1964. |
| DM 822-65p | " | without | without | without | with | |
| DM 822-82e | " | without | without | without | without | |
| DM 822-65c | CONFORT | with | without | without | with | Until September 1960. September 1960 - April 1962. April 1962 - September 1964. Cabriolet. BERLINE - CONFORT. Until September 1964. Cold Climates. Until April 1962. Cold Climates. April 1962 - September 1964. Italy. Until April 1962. Italy. Until April 1962. Italy. April 1962 - September 1964. Italy. April 1962 - September 1964. |
| DM 822-65r | " | with | without | without | with | |
| DM 822-82d | " | with | without | without | without | |
| DM 822-82a | " | with | with | without | without | |
| DM 822-65s | " | with | with | with | with | |
| DM 822-82 | " | with | with | with | without | |
| DM 822-65x | " | with | with | without | with | |
| DM 822-65w | " | with | without | without | with | |
| DM 822-82f | " | with | without | without | without | |
| DM 822-82g | " | with | with | without | without | |
| DM 822-65b | NORMALE | without | without | without | without | Until September 1958. No longer supplied. September 1958 - September 1964. |
| DM 822-65e | " | without | without | without | without | |

ENGLISH LANGUAGE

| | | | | | | |
|------------|---------|------|---------|---------|---------|---|
| DM 822-140 | CONFORT | with | without | without | with | Until September 1960. No longer supplied. September 1960 - April 1962. April 1962 - September 1964. |
| DA 822-65c | " | with | with | without | with | |
| DM 822-82c | " | with | with | without | without | |
| DM 822-82b | " | with | with | with | without | |

SPANISH LANGUAGE

| | | | | | | |
|------------|---------|------|------|---------|---------|---|
| DM 822-65z | CONFORT | with | with | without | with | Until April 1962. April 1962 - September 1964. |
| DM 822-82h | " | with | with | without | without | |

350—ORNAMENTAL FINISHER FOR DASHBOARD (SECTION VI) (RIGHT-HAND STEERING)

| NUMBER | TYPE | Holes drilled for controls | | | | REMARKS |
|--------|------|----------------------------|--------------|-------------|------------------|---------|
| | | Windscreen washer | Front heater | Rear heater | Ignition control | |

ENGLISH LANGUAGE

DM 822-65v
DM 822-115c
DM 822-115b
DM 822-115d

CONFORT
"
"
"

with
with
with
with

without
without
with
with

without
without
without
with

with
without
without
without

Until April 1962.
April 1962 - September 1964.

DM 822-65f
DM 822-65u
DM 822-115a

LUXE
"
"

without
without
without

without
without
without

without
without
without

with
with
without

Until September 1960.
September 1960 - April 1962. Replaced by DM 822-65v.
April 1962 - September 1964.

| NUMBER | DESCRIPTION | No. OFF | NUMBER | DESCRIPTION | No. OFF | NUMBER | DESCRIPTION | No. OFF |
|-------------|---|---------|-------------|--|---------|------------|--|---------|
| | WINDSCREEN | | | | | | | |
| DS 565-117a | Rubber stop for wiper arm, on lower frame for windscreen. | 4 | DS 961-189a | Central reinforcement for wind-screen surround, on scuttle dome. Since September 1964. | 1 | DS 961-163 | Pressure pad, lateral, for rear window (R. VI). Until April 1963. | 2 |
| DM 961-17 | Rubber sealing strip, lower for windscreen. | 1 | 485-S 30 | Screw, hex. head, 7 diameter x 20 long, securing lateral adjustable support. | 4 | DS 961-185 | Washer, fibre, 7.2x15x1.5, for screw securing central pressure pad (R. VI). Until April 1963. | 1 |
| DM 961-98 | Sealing rubber, upper, for windscreen, 2,160 mm long (R. VI). | 1 | | REAR WINDOW 4 mm thick | | DS 961-184 | Screw, hex. head, 7 diameter x 7 long, securing central pressure pad. | 1 |
| DS 961-146 | Sealing rubber, lower, for windscreen, 1,550 mm long. Until September 1964. | 1 | D 961-27 | Rubber, sealing strip, for top of rear window glass, 1,750 mm long | 1 | | REAR WINDOW 6 mm thick U.S.A. and R.H. Steering | |
| DS 961-146b | Sealing rubber, lower, with 20 mm groove. Since September 1964. | 1 | D 961-29 | Sealing strip, rubber, lower for rear window, 1,670 mm long. Until April 1963. Replaced by DS 961-29. | 1 | D 961-27 | Rubber sealing strip, upper, for glass, 1,750 mm long. | 1 |
| DS 961-146c | Sealing rubber, lower, for windscreen, without groove (for repairs). | 1 | DS 961-29 | Sealing strip, rubber, lower, for rear window, 1,670 mm long. Since April 1963. | 1 | D 961-29 | Rubber sealing strip, lower, 1,670 mm long. Until April 1963. Replaced by DS 961-29. | 1 |
| DS 961-161b | Surround, lower, for windscreen glass with centre securing lug. Until September 1964. | 1 | DS 961-134 | Rubber pad, 51 x 57 x 41, for rear window pressure pad. | 2 | DS 961-29 | Rubber sealing strip, lower, 1,670 mm long. Since April 1963. | 1 |
| DS 961-161c | Surround, lower, for windscreen glass, without stop for windscreen wiper. Since September 1964. | 1 | DS 961-151 | Rubber pad, 60 x 25, for rear window centre pressure pad. | 1 | D 961-134 | Rubber pad for pressure pad. | 2 |
| D 961-3a | Glass for windscreen "TRIPLEX" U.S.A. Left-hand steering. Until September 1964. Replaced by DS 961-3f, order in addition: 1-DS 961-98. | 1 | DS 961-7 | Glass for rear window. Until April 1963. Replaced by DS 961-7d; order in addition: 1-DS 961-29, 1-DS 961-133, 1-DS 961-133a. | 1 | D 961-151 | Rubber pad for central pressure pad. | 1 |
| DS 961-3a | Glass for windscreen "LUXRIT" (R. VI). Since June 1959. L.H. steering. Replaces earlier type; order in addition: 1-DS 961-146, 1-DS 961-161b, 1-DS 961-189. | 1 | DS 961-7d | Glass for rear window. (Securit) (R. VI). Since April 1963. | 1 | DS 961-7b | Glass for rear window, (R. VI). Until April 1963. Replaced by DS 961-7e; order in addition: 1-DS 961-29. | 1 |
| DS 961-3c | Glass for windscreen "LUXRIT" (R. VI). Since April 1963. R.H. steering. | 1 | D 961-133 | Pressure pad, left-hand. Since April 1963. | 1 | DS 961-7e | Glass for rear window, 4 mm thick (R. VI). Since April 1963. | 1 |
| DS 961-3f | Glass only for windscreen "TRIPLEX" (R. VI). U.S.A. Left-hand steering. Since September 1964. | 1 | D 961-133a | Pressure pad, right-hand. Since April 1963. | 1 | D 961-133 | Pressure pad, left-hand, for rear window. | 1 |
| DS 961-56 | Pressure pad, lateral, for windscreen, 50 mm long, 17.5 mm wide, 36 mm high. | 2 | DS 961-133 | Pressure pad, left-hand for rear window glass. Until April 1963. | 1 | D 961-133a | Pressure pad, right-hand, for rear window. | 1 |
| DS 961-189 | Reinforcement central, for windscreen surround on scuttle dome. Until September 1964. | 1 | DS 961-133a | Pressure pad, right-hand for rear window glass. Until April 1963. | 1 | D 961-150 | Pressure pad, central. No longer supplied. | 1 |
| | | | DM 961-150 | Pressure pad, central, for rear window glass. Until April 1963. | 1 | 3.234-S | Washer, cup, 6 mm diameter for upper rubber (R. VI). | 2 |
| | | | | | | D 852-92 | Screw, round head, 7 diameter x 20 long, securing pressure pad (R. VI). | 2 |
| | | | | | | 481-S | Screw, hex. head, 7 diameter x 10 long, securing central pressure pad (R. III). | 2 |
| | | | | | | 2.654-S | Screw, P.K. 5 diameter x 25 long, for upper rubber (R. VI). | 1 |

352-ARM REST-REAR BENCH SEAT-TRIMMINGS FOR SEATS

| NUMBER | DESCRIPTION | No. OFF | NUMBER | DESCRIPTION | No. OFF | NUMBER | DESCRIPTION | No. OFF |
|------------|---|---------|-------------|---|---------|------------|--|---------|
| | ARM-REST | | | | | | | |
| DS 941-82a | Central arm rest for rear squab with spring case. CONFORT. | 1 | DM 923-128a | Hook, lateral, for securing upper part of squab. Since February 1963. | 2 | DS 942-6b | Trimming for head rest. | 1 |
| | | | DM 923-135a | Hook, central, for securing upper part of squab. Since February 1963. | 1 | | FRONT BENCH SEAT CONFORT | |
| | REAR CUSHION | | DS 923-1 | Rubber lining for squab, left-hand. CONFORT. (R. VI). | 1 | DS 922-53 | Trimming for cushion. | 1 |
| DM 923-10 | Spring case for rear cushion. LUXE, NORMALE. | 1 | DS 923-1a | Rubber lining for squab, right-hand. CONFORT. (R. VI). | 1 | DS 922-58 | Trimming for squab. | 1 |
| DS 923-10 | Spring case for rear cushion. CONFORT. | 1 | | FIXING | | | REAR BENCH SEAT LUXE | |
| DM 923-10a | Spring case for rear cushion. COLD CLIMATES -15°. CONFORT. | 1 | D 923-90a | Flexible bush for positioning (R.VI): - rear cushion. - rear squab. | 2 2 | DM 923-2b | Trimming for squab. | 1 |
| | | | D 923-92 | Cup for positioning: - rear cushion. - rear squab. | 2 2 | DM 923-11b | Trimming for cushion. | 1 |
| | REAR SQUAB | | 135-S | <i>Screw, round head, 5 x 40, for securing rear cushion. Replaced by 2.253-S (R. VI).</i> | 2 | | CONFORT | |
| DM 923-5c | Spring case for rear squab (without armrest) CONFORT. Since February 1963. Replaces earlier model. Order in addition: 2-DM 923-128a; 1-DM 923-135a. | 1 | | TRIMMINGS FRONT SEATS LUXE | | DS 923-2 | Trimming for squab on rear bench seat, left-hand. | 1 |
| DM 923-5d | Spring case for rear squab (without armrest) LUXE. Since February 1963. Replaces earlier model. Order in addition: 2-DM 923-128a; 1-DM 923-135a. | 1 | DM 912-19b | Trimming for cushion. | 2 | DS 923-2a | Trimming for squab on rear bench seat, right-hand. | 1 |
| DM 826-2 | Partition between rear seat and boot (arrangement with rear heating). COLD CLIMATES - 15°. Until September 1964. | 1 | DM 912-20c | Trimming for squab. | 2 | DS 923-11 | Trimming for rear bench seat cushion. | 1 |
| DM 826-2a | Partition between rear seat and boot (arrangement with rear heating). COLD CLIMATES - 15°. Since September 1964. | 1 | | CONFORT | | DS 941-78 | Trimming for central arm rest. | 1 |
| DM 826-50 | Partition between rear seat and boot. | 1 | DS 932-3 | Trimming for squab. Until July 1960. | 2 | | LOOSE COVERS | |
| | | | DS 932-3a | Trimming for squab. Since July 1960. | 2 | D 984-100 | Set of loose covers for repair, comprising: - 2 seat trimmings; - 1 rear cushion trimming; - 1 rear squab trimming; Until July 1960. | 1 |
| | | | DS 932-7 | Trimming for cushion. Until December 1960. | 2 | D 984-100a | Set of loose covers for repair, comprising: - 2 seat trimmings; - 1 rear cushion trimming; - 1 rear squab trimming. Since July 1960. | 1 |
| | | | DS 932-7a | Trimming for cushion. Since December 1960. | 2 | | | |

NOTE: The trimmings for cushions and squabs are only supplied against samples and if available.

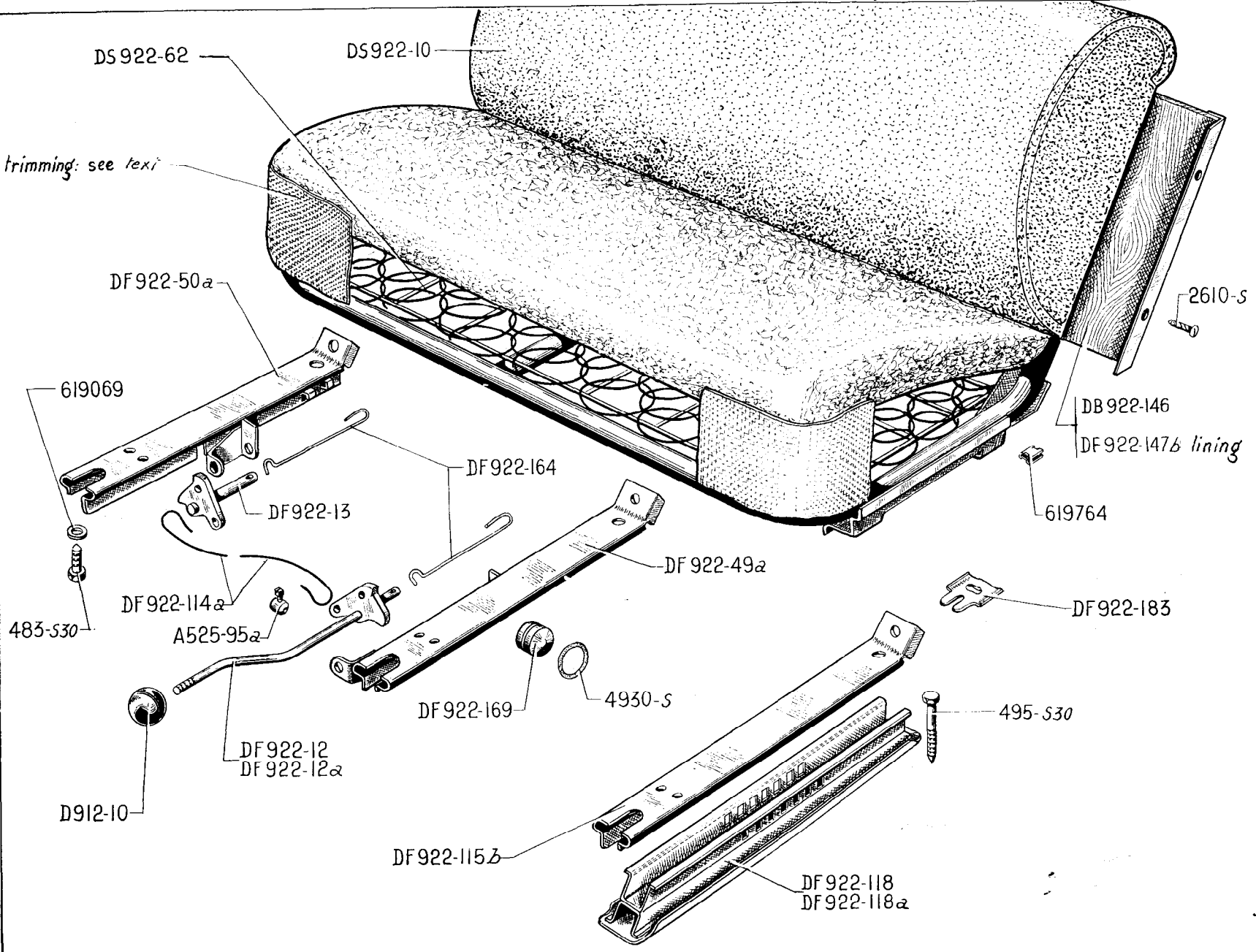
| NUMBER | DESCRIPTION | No. OFF | NUMBER | DESCRIPTION | No. OFF | NUMBER | DESCRIPTION | No. OFF |
|------------|---|---------|------------|--|---------|-------------|--|---------|
| | Until July 1960 | | | | | | | |
| DS 932-81a | Articulation pin for front seat. | 4 | DS 932-84a | <i>Spring case for cushion, padded. December 1959 - July 1960. Replaced by DS 932-011b for left-hand side or DS 932-011c for right-hand side - order in addition: 1-DS 932-153, 1-DS 932-153a, 1-DS 932-156.</i> | As nec. | D 912-4a | Locking lever for front seat, 197 mm long. Since December 1959. | 2 |
| D 912-10 | Knob for locking lever (R. VI). | 2 | | | | DS 942-78 | <i>Head-rest, padded, without socket or screws. Replaced by DS 942-78a.</i> | 1 |
| DS 932-9a | Knob (nylon) for locking articulation of front seat (R. VI). | 4 | | | | D 912-85 | Return spring for locking lever. | 2 |
| D 912-80 | Stop for front seat. Until December 1959. | 2 | DS 932-90 | <i>Spring case for squab, padded. Replaced by DS 932-011b for left-hand side or DS 932-011c for right-hand side; order in addition: 1-DS 932-153, 1-DS 932-153a, 1-DS 932-156.</i> | 2 | D 912-78 | <i>Front seat support, right-hand. Until December 1959. No longer supplied.</i> | 2 |
| DM 922-119 | Stop for front seat. Since December 1959. | 2 | | | | D 912-79 | Front seat support, left-hand. Until December 1959. | 2 |
| DS 932-118 | Packing under seat support. | 4 | DS 932-99b | Finishing casing, nylon, for front seat, left-hand (R. VI). | 2 | DM 922-118 | Front seat support, left-hand. Since December 1959. | 2 |
| DS 932-84 | <i>Spring case for cushion, padded. Until December 1959. Replaced by DS 932-011b for left-hand side or DS 932-011c for right-hand side; order in addition: 1-DS 932-153, 1-DS 932-153a, 1-DS 932-156.</i> | As nec. | DS 932-99c | Finishing casing, nylon, for front seat, right-hand (R. VI). | 2 | DM 922-118a | Front seat support, right-hand. Since December 1959. | 2 |
| | | | DS 942-73 | Socket for securing head-rest (R. VI). | 2 | 2.492-S | Screw, raised head, countersunk, 4 x 8, for securing finishing casing on articulation of seat (R. VI). | 2 |
| | | | DS 932-76b | Trimming for squab panel. Replaces previous type. | 2 | 2.508-S | Screw, raised head, countersunk, 4.85 x 16 (cruciform slot) for securing socket (R. VI). | 4 |
| | | | DS 932-82 | Pad for locking articulation of front seat (R. VI). | 4 | 2.756-S | Screw, round head, 3.5 x 9.5 for securing finishing casing on seat casing (R. VI). | 2 |
| | | | D 912-4 | <i>Locking lever for front seat, 231 mm long. Until December 1959. No longer supplied.</i> | 2 | | | |

354—FRONT SEATS (LUXE)

| NUMBER | DESCRIPTION | No. OFF | NUMBER | DESCRIPTION | No. OFF | NUMBER | DESCRIPTION | No. OFF |
|------------|--|---------|-------------|---|---------|-------------|---|---------|
| | FRONT SEATS Until June 1963 | | D 912-85 | Return spring for locking lever of front seat. | 2 | DS 932-147 | Locking lever for front seat. | 2 |
| DM912-113a | Spring case for front seat, padded. | 2 | D 912-78 | <i>Bracket for front seat, right-hand. Until December 1959. No longer supplied.</i> | 2 | DS 932-79a | Closing panel (only), for front seat squab. | 2 |
| D 912-10 | Knob for locking lever, front seat (R. VI). | 2 | D 912-79 | Bracket for front seat, left-hand. Until December 1959. | 2 | D 861-136 | Return spring for locking lever. | 2 |
| D 912-80 | Stop for front seat. Until December 1959. | 2 | DM 922-118 | Bracket for front seat, left-hand. Since December 1959. | 2 | DS 932-152 | Return spring for locking catch. | 4 |
| DM 922-119 | Stop for front seat (R. VI). Since December 1959. | 2 | DM922-118a | Bracket for front seat, right-hand. Since December 1959. | 2 | 2.482-S | Washer, plain, 7.5 x 14, for screws securing support (R. III). | 8 |
| DS 932-118 | Packing under front seat (R. VI). Until September 1962. | 4 | | Since June 1963 | | 619.133 | Washer, plain. 5.25 x 15 x 1.5. for nuts securing locking lever (R. IV). | 2 |
| D 912-4 | <i>Locking lever for front seat, 231 mm long. Until December 1959. No longer supplied.</i> | 2 | DM912-113e | Spring case for front seat, padded. | 2 | A 525-95a | Clip for locking control cable (R.VI). | 4 |
| D 912-4a | Locking lever for front seat, 197 mm long. December 1959 - September 1962. | 2 | D 912-10 | Knob for locking lever of seat (R. VI). | 2 | DS 932-153 | Support for front seat, left-hand. | 2 |
| DM 912-4 | Locking lever for front seat. Since September 1962. | 2 | DS 932-156 | Rear stop for front seat. Until October 1964. | 2 | DS 932-153a | <i>Support for front seat, right-hand, with stop. Replaced by DS 932-153b.</i> | 2 |
| DS 932-79 | <i>Closing panel (metal) for front seat. No longer supplied.</i> | 2 | DS 932-156a | Rear stop for front seat. Since October 1964. | 2 | DS 932-153b | Support for front seat, right-hand, with stop. | 2 |
| | | | DS 932-149 | Control cable for locking catch, 700 mm long (R. VI). | 2 | 495-S 30 | Screw, hex. head, (pointed), 7 x 45, for securing supports (R. III). | 8 |
| | | | DS 932-151 | Locking catch for front seats. | 4 | 2.610-S | Screw, P.K. raised head, counter-sunk, 3.5 x 20 (cruciform slot), for securing closing panel (R. VI). | 8 |
| | | | 2.319-S | Nut, hex., 5 x 75, for securing locking lever (R. III). | 2 | 621.048 | Screw, hex. head, (pointed), 5 x 22, for securing rear stop (R. II). | 2 |
| | | | DS 932-150 | Distance piece under locking lever (R. VI). | 2 | | | |

FRONT BENCH SEAT (NORMALE)—355

| NUMBER | DESCRIPTION | No. OFF | NUMBER | DESCRIPTION | No. OFF | NUMBER | DESCRIPTION | No. OFF |
|-----------|---|---------|-------------|--|---------|-------------|---|---------|
| | FRONT BENCH SEAT | | | | | | | |
| DB 922-62 | Spring case for front bench seat, padded. Until October 1961. Replaced by DS 922-62; order in addition: 1-DF 922-12 (R. VI), 1-DF 922-13 (R. VI), 1-DF 922-49a (R. VI), 1-DF 922-50a (R. VI), 1-DF 922-115b (R. VI), 3-DF 922-118 (R. VI), 2-DF 922-164 (R. VI), 6-DF 922-169 (R. VI), 2-DF 922-183 (R. VI), 6-4.876-S (R. VI). | 1 | DM 922-119 | Stop for bench seat (R. VI). Until October 1961. | 1 | DF 922-12 | Locking lever, 290 mm long (R. VI). October 1961 - September 1962. | 1 |
| | | | DF 922-183 | Rear stop (outer) for bench seat (R. VI). Since October 1961. | 2 | DF 922-12a | Locking lever, 295 mm long (R. VI). Since September 1962. | 1 |
| | | | DF 922-169 | Roller for slide (R. VI). Since October 1961. | 6 | D 912-85 | Return spring for locking lever. Until October 1961. | 1 |
| | | | DF 922-49a | Slide, movable, for front bench seat, centre fixing (R. VI). Since October 1961. | 1 | DF 922-164 | Return spring for locking lever, 142 mm long (R. VI). Since October 1961. | 2 |
| DS 922-62 | Spring case for front bench seat, padded. Since October 1961. | 1 | DF 922-50a | Slide, movable, for front bench seat, right-hand (R. VI). Since October 1961. | 1 | DM 922-118 | Bracket for bench seat, left-hand. Until October 1961. | 1 |
| DM 922-13 | Locking spindle. Until October 1961. No longer supplied. | 1 | DF 922-115b | Slide, movable, for front bench seat, left-hand (R. VI). Since October 1961. | 1 | DM 922-118a | Bracket, centre and right-hand, for bench seat. Until October 1962. | 2 |
| DF 922-13 | Locking spindle (R. VI). Since October 1961. | 1 | 4.930-S | Ring seal, 15.7 x 21.1 x 2.7, for roller of bench seat (R. VI). Since October 1961. Replaced by 4.876-S. | 6 | DF 922-118 | Bracket for bench seat (R. VI). October 1961 - September 1962. | 3 |
| D 912-10 | Knob for locking lever (R. VI). | 1 | DM 922-12 | Locking lever. Until October 1961. No longer supplied. | 1 | DF 922-118a | Support for bench seat (R. VI). Since September 1962. | 3 |
| | | | | | | DM 922-114 | Control cable for locking pin, 644 mm long. Until October 1961. | 1 |

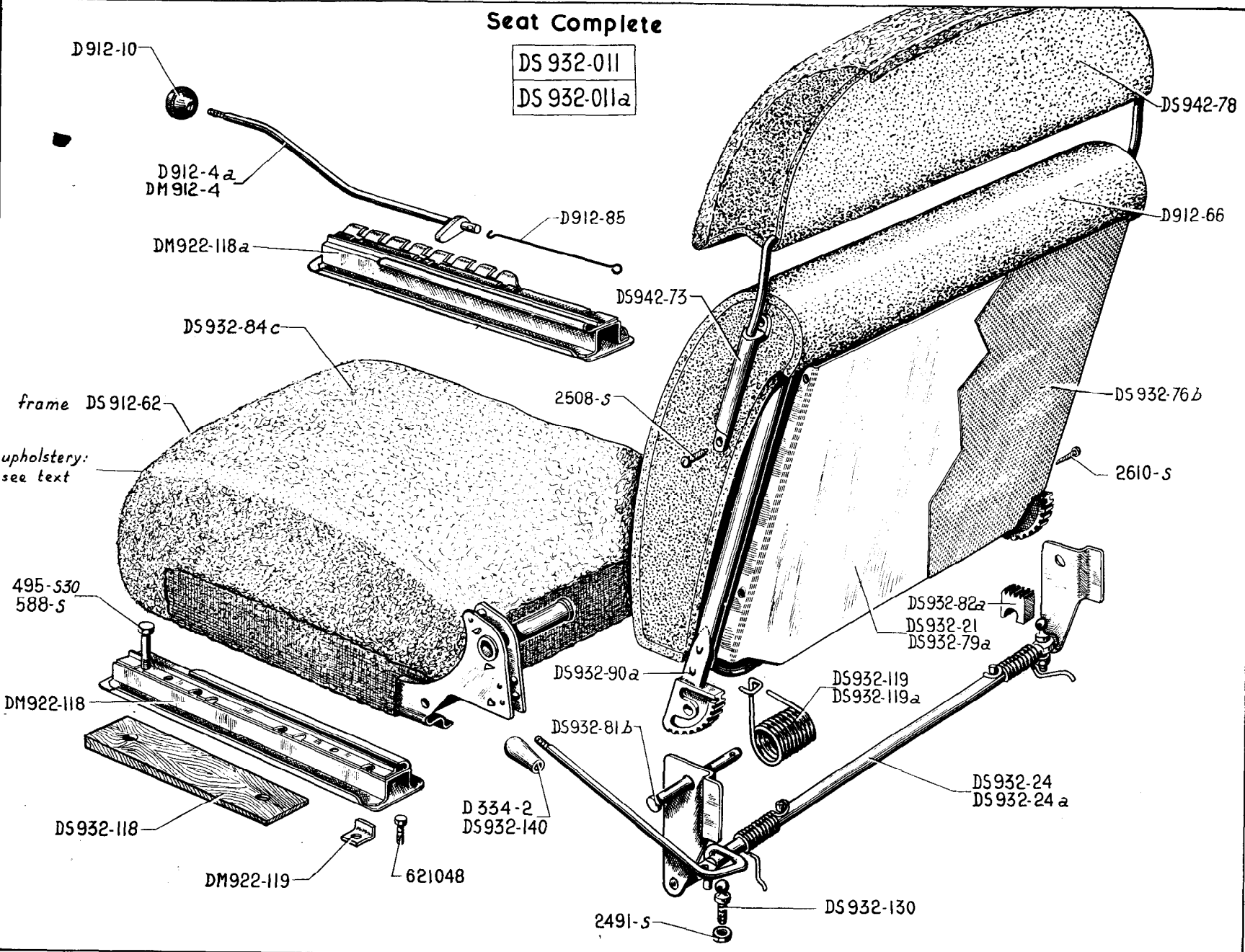


356—FRONT BENCH SEAT (CONFORT)

| NUMBER | DESCRIPTION | No. OFF | NUMBER | DESCRIPTION | No. OFF | NUMBER | DESCRIPTION | No. OFF |
|-------------|--|---------|--------------------|--|---------|------------|---|---------|
| | FRONT BENCH SEAT CONFORT EQUIPMENT Since October 1961 | | | | | | | |
| A 525-95a | Trunnion for lock control cable (R. VI). | 2 | DF 922-115b | Slide, movable, for front bench seat, left-hand (R. VI). | 1 | 619.069 | Washer, plain, 7.5 x 20 x 1, for screw securing slide on front bench seat (R. II). | 6 |
| D 912-10 | Knob for locking lever (R. VI). | 1 | DF 922-118 | Support for front bench seat (R. VI). Until September 1962. | 3 | 619.764 | Clip securing lining (R. VI). | As nec. |
| DS 922-10 | Rubber lining for seat squab (R. VI). | 1 | DF 922-118a | Support for front bench seat (R. VI). Since September 1962. | 3 | | SPECIAL PARTS BERLINE WITH PARTITION | |
| DF 922-12 | Locking lever for front bench seat, 290 mm long (R. VI). Until September 1962. | 1 | DB 922-146 | Closing panel (only) for squab of front bench seat. Until September 1964. | 1 | D 923-121 | <i>Peg for front cushion (R. VI). No longer supplied.</i> | 2 |
| DF 922-12a | Locking lever for front bench seat, 295 mm long (R. VI). Since September 1962. | 1 | <u>DF 922-146</u> | Closing panel (only) for squab of front bench seat. Since September 1964. | 1 | D 923-22a | <i>Front cushion complete (leather-cloth trim) (R. VI). No longer supplied.</i> | 1 |
| DF 922-13 | Locking pin for front bench seat (R. VI). | 1 | DF 922-147b | Lining (leathercloth) for seat squab closing panel. Until September 1964. | 1 | D 923-21a | <i>Front squab complete (leathercloth trim) (R. VI). No longer supplied.</i> | 1 |
| DF 922-49a | Slide, movable, for front bench seat, centre fixing (R. VI). | 1 | <u>DF 922-147c</u> | Lining (leathercloth) for seat squab closing panel. Since September 1964. | 1 | D 923-100 | <i>Angle plate securing lug for front squab (R. VI). No longer supplied.</i> | 4 |
| DF 922-50a | Slide, movable, for front bench seat, right-hand (R. VI). | 1 | DF 922-164 | Return spring for locking lever, 142 mm long (R. VI). | 2 | D 923-120 | <i>Yoke retaining front squab (R. VI). No longer supplied.</i> | 2 |
| DS 922-62 | Spring case for front bench seat. | 1 | DF 922-169 | Roller for slide (R. VI). | 6 | D 923-107 | Lug for front squab, left-hand (R. VI). | 1 |
| DF 922-114a | Control cable, for locking pin, 80 mm long (R. VI). | 1 | DF 922-183 | Rear stop (external), for front bench seat (R. VI). | 2 | D 923-107a | Lug for front squab, right-hand (R. VI). | 1 |
| | | | 483-S 30 | Screw, hex. head, pointed, 7 diameter x 15 long, securing movable slide on front bench seat. | 6 | | | |
| | | | 495-S 30 | Screw, hex. head, pointed, 7 diameter x 45 long, securing supports for front bench seat. | 6 | | | |
| | | | 2.610-S | Screw, raised head countersunk, 3.5 diameter securing closing panel (R. VI). | 6 | | | |
| | | | 4.930-S | <i>Ring seal, 15.7 x 21.1 x 2.7, for front bench seat roller (R. VI). Replaced by 4.876-S.</i> | 6 | | | |

Seat Complete

| |
|-------------|
| DS 932-011 |
| DS 932-011a |



D912-10

D912-4a
DM912-4

DM922-118a

DS932-84c

frame DS912-62

upholstery:
see text

495-530
588-5

DM922-118

DS932-118

DM922-119

621048

D912-85

DS942-73

2508-s

DS932-90a

DS932-81b

D 334-2
DS932-140

2491-s

DS942-78

D912-66

DS932-76b

2610-s

DS932-82a
DS932-21
DS932-79a

DS932-119
DS932-119a

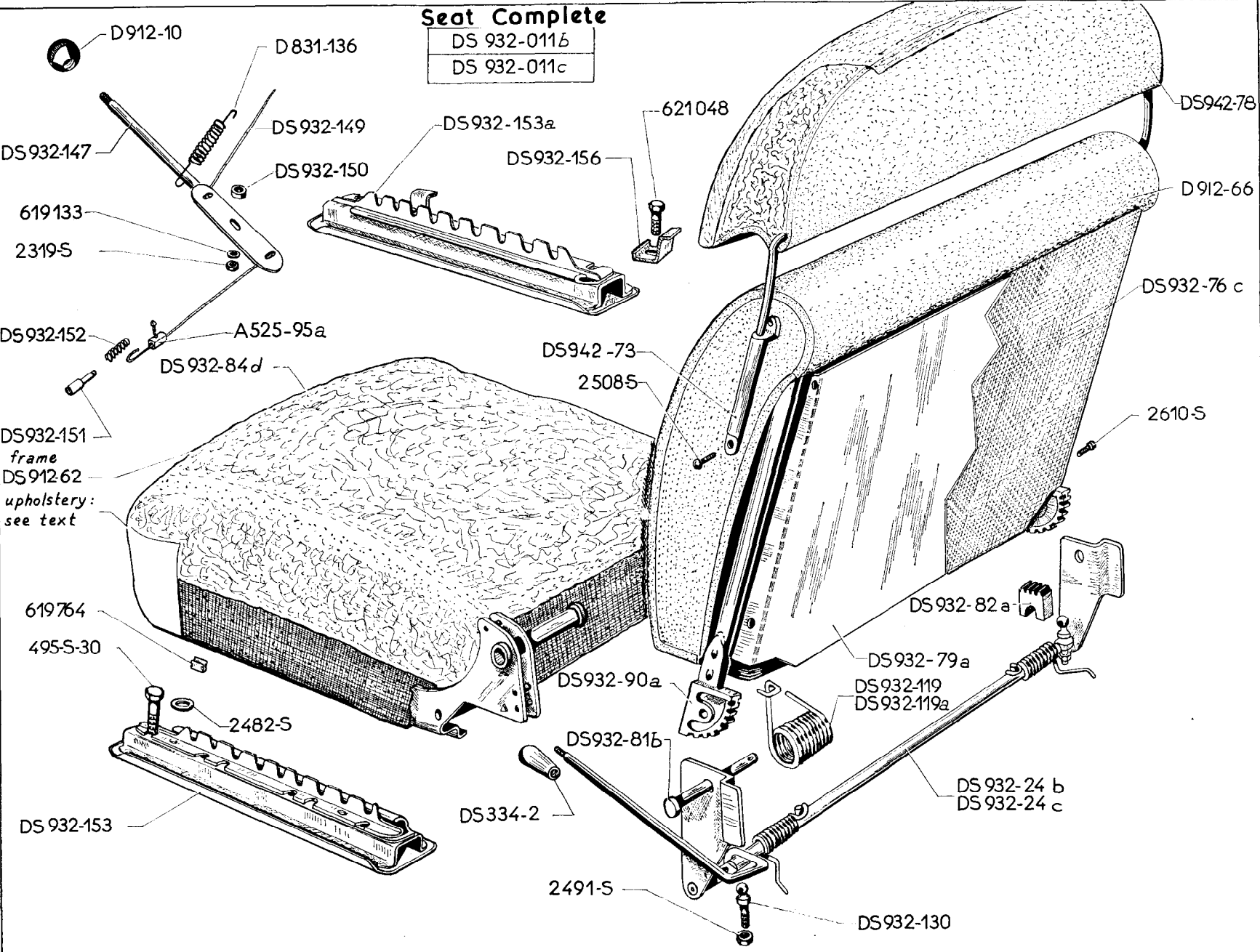
DS932-24
DS932-24a

DS932-130

| NUMBER | DESCRIPTION | No. OFF | NUMBER | DESCRIPTION | No. OFF | NUMBER | DESCRIPTION | No. OFF |
|-------------|---|---------|-------------|---|---------|-------------|--|---------|
| | July 1960—June 1963 | | | | | | | |
| D 334-2 | Knob for control lever for front seat squab (white) (R. VI). Until September 1961. | 2 | DS 932-011a | <i>Front seat, complete, right-hand, without trimming fabric. Replaced by DS 932-011c; order in addition: 1-DS 932-153, 1-DS 932-153a, 1-DS 932-156.</i> | 1 | DS 932-119 | Return spring for squab, left-hand. | 2 |
| D 912-4a | Locking lever for front seat, 197 mm long. Until September 1962. | 2 | DS 932-21 | Closing panel for front seat squab (R. VI). CABRIOLET. | 2 | DS 932-119a | Return spring for squab, right-hand. | 2 |
| DM 912-4 | Locking lever for seat. Since September 1962. | 2 | DS 932-24 | Articulation control for seat squab, left-hand (R. VI). | 1 | DS 932-130 | Ball pin for positioning pressure pad (R. VI). | 4 |
| D 912-10 | Knob for locking lever for front seat (R. VI). | 2 | DS 932-24a | Articulation control for seat squab, right-hand (R. VI). | 1 | DS 932-140 | Knob for lever controlling front seat squab (black) (R. VI). Since September 1961. | 2 |
| DS 912-62 | Metallic frame, reinforcing cushion (R. VI). Since January 1961. | 2 | DS 932-76b | Lining for squab panel. | 2 | DS 942-73 | Socket for securing head rest (R. VI). | 2 |
| D 912-66 | Rubber lining for squab (R. VI). | 2 | DS 932-79a | Closing panel (only) for front seat squab. BERLINE. | 2 | DS 942-78 | <i>Head rest, padded, without socket or screw. Replaced by DS 942-78a.</i> | 1 |
| D 912-85 | Return spring for locking lever. | 2 | DS 932-81b | Articulation spindle for front seat squab, 90 mm long (R. VI). | 4 | 495-S-30 | Screw, hex. head, 7 x 45, for securing bracket (R. III). | 4 |
| DM 922-118 | Support for front seat, left-hand. | 2 | DS 932-82a | Pressure pad locking articulation of front seat (R. VI). | 4 | 588-S | Screw, hex. head, 7 x 50, for securing bracket (R. III). | 4 |
| DM 922-118a | Support for front seat, right-hand. | 2 | DS 932-84c | <i>Spring case for cushion, padded. Replaced by: DS 932-84d; order in addition: 1-DS 932-147 1-DS 932-149 (R. VI), 1-DS 932-150 (R. VI), 2-DS 932-151, 2-DS 932-152, 1-DS 932-153, 1-DS 932-153a, 1-DS 932-156.</i> | 2 | 2.491-S | Nut, hex., 7 x 100, for locking positioning ball pin (R. III). | 4 |
| DM 922-119 | Stop for front seat (R. VI). Until September 1962. | 2 | DS 932-90a | Spring case for squab, padded. | 2 | 2.508-S | Screw, raised head, countersunk, 4.85 x 16 (cruciform slot) for securing socket (R. VI). | 4 |
| DS 932-011 | <i>Front seat, complete, left-hand, without trimming fabric. Replaced by DS 932-011b; order in addition: 1-DS 932-153, 1-DS 932-153a, 1-DS 932-156.</i> | 1 | DS 932-118 | Packing under front seat support (R. VI). Until September 1962. | 4 | 2.610-S | Screw, raised head, countersunk, 3.5 x 15, for securing panel (R. VI). | 12 |
| | | | | | | 621.048 | Screw, hex. head, 5 x 22, for securing stop (R. II). Until September 1962. | 2 |

Seat Complete

| |
|-------------|
| DS 932-011b |
| DS 932-011c |



360—FRONT SEATS (CONFORT)

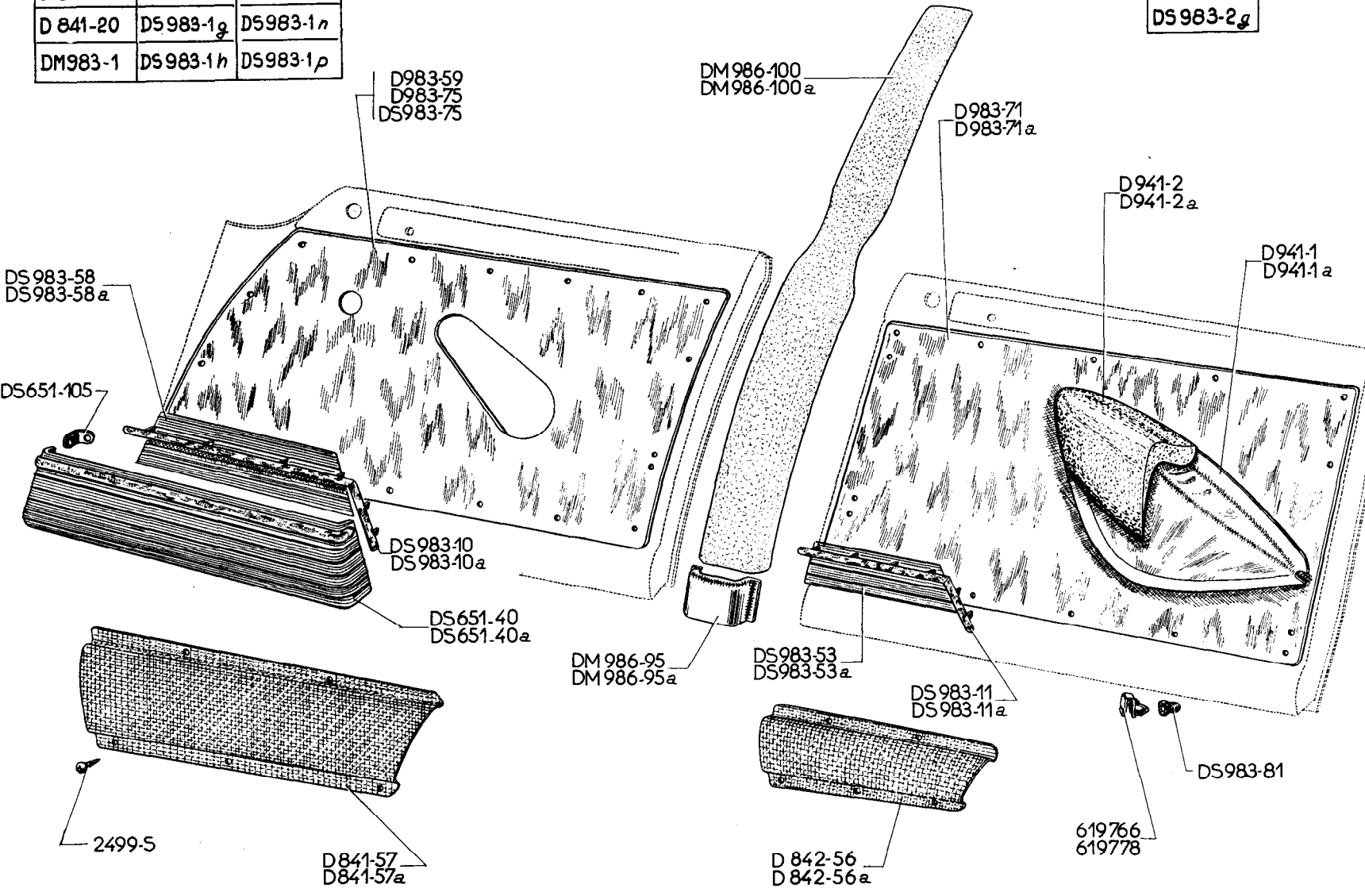
| NUMBER | DESCRIPTION | No. OFF | NUMBER | DESCRIPTION | No. OFF | NUMBER | DESCRIPTION | No. OFF |
|-------------------|--|---------|--------------------|---|---------|--------------------|--|---------|
| | Since June 1963 | | | | | | | |
| A 525-95a | Trunnion for locking control cable (R. VI). | 4 | DS 932-79a | Closing panel (only) for front seat squab. Until September 1964. - left-hand. Since September 1964. | 2 1 | <u>DS 932-156a</u> | Rear stop for seat. Since October '64. | 2 |
| DS 334-2 | Knob for lever controlling front seat squab. | 2 | DS 932-81b | Articulation spindle for front seat squab, 90 mm long (R. VI). | 4 | DS 942-73 | Socket for securing head rest (R. VI). | 2 |
| D 861-136 | Return spring for locking lever. | 2 | DS 932-82a | Pressure pad locking articulation of front seat (R. VI). | 4 | DS 942-78 | <i>Head rest, padded, without socket or screws. Replaced by DS 942-78a.</i> | 1 |
| D 912-10 | Knob for locking lever (R. VI). | 2 | DS 932-84d | Spring case for cushion, padded. | 2 | <u>DS 942-78a</u> | Head rest, padded, without socket or screws. | 1 |
| DS 912-62 | Metallic frame, reinforcing cushion (R. VI). | 2 | DS 932-90a | Spring case for squab, padded. | 2 | 495-S-30 | Screw, hex. head, pointed, 7 x 45 for securing support (R. III). | 8 |
| D 912-66 | Rubber lining for squab (R. VI). | 2 | DS 932-119 | Return spring for squab, left-hand. | 2 | 2.319-S | Nut, hex., 5 x 75, for securing locking lever (R. III). | 2 |
| DS 932-011b | Front seat, complete, left-hand, without trimming fabric. | 1 | DS 932-119a | Return spring for squab, right-hand. | 2 | 2.482-S | Washer, plain, 7.5 x 14, for screws securing support (R. III). | 8 |
| DS 932-011c | Front seat, complete, right-hand, without trimming fabric. | 1 | DS 932-130 | Ball pin for positioning pressure pad. | 4 | 2.491-S | Nut, hex., 7 x 100, for locking positioning ball pin (R. III). | 4 |
| <u>DS 932-18b</u> | Closing panel (only), for squab, right-hand. Since September 1964. | 1 | DS 932-147 | Locking lever for seat. | 2 | 2.508-S | Screw, raised head, countersunk, 4.85 x 16 (cruciform slot) for securing socket (R. VI). | 4 |
| DS 932-24b | Articulation control for front seat squab, left-hand (R. VI). | 1 | DS 932-149 | Control cable for locking spindle, 700 mm long (R. VI). | 2 | 2.610-S | Screw, raised head, countersunk, 3.5 x 15 (cruciform slot) for securing closing panel (R. VI). | 8 |
| DS 932-24c | Articulation control for front seat squab, right-hand (R. VI). | 1 | DS 932-150 | Distance piece under locking lever (R. VI). | 2 | 619.133 | Washer, plain, 5.25 x 15 x 1.5, for nuts securing locking lever (R. IV). | 2 |
| DS 932-76c | Lining (leather cloth) for closing panel of squab. | 2 | DS 932-151 | Locking catch for seat. | 4 | 619.764 | Clip for securing trimming. | As nec. |
| | | | DS 932-152 | Return spring for locking catch. | 4 | 621.048 | Screw, hex. head, 5 x 22, for securing rear stop (R. II). | 2 |
| | | | DS 932-153 | Seat bracket, left-hand. | 2 | | | |
| | | | DS 932-153a | <i>Seat bracket, right-hand, with stop. Replaced by DS 932-153b.</i> | 2 | | | |
| | | | <u>DS 932-153b</u> | Seat bracket, right-hand, with stop. | 2 | | | |
| | | | DS 932-156 | Rear stop for seat. Until October 1964. | 2 | | | |

Rear Door Panel Complete

| |
|----------|
| DS983-2f |
| DS983-2g |

Front Door Panel Complete

| | | |
|----------|----------|----------|
| D 841-19 | D5983-1f | D5983-1K |
| D 841-20 | D5983-1g | D5983-1n |
| DM983-1 | D5983-1h | D5983-1p |



TRIMMING FOR FRONT AND REAR DOORS AND CENTRE PILLAR-363

| NUMBER | DESCRIPTION | No. OFF | NUMBER | DESCRIPTION | No. OFF | NUMBER | DESCRIPTION | No. OFF |
|--------------------------|--|---------|------------|--|---------|---|---|---------|
| CONFORT EQUIPMENT | | | DS 983-1h | Panel (trimmed) with arm rest, for front right-hand door. Until July 1963. | 1 | D 983-71 | Panel (only) with arm rest, for rear left-hand door. | 1 |
| DS 651-40 | Map pockets in the front left-hand door panel. Since July 1963. | 1 | DS 983-1k | Panel (trimmed) without arm rest, with map pockets, for front left-hand door. Since July 1963. | 1 | D 983-71a | Panel (only) with arm rest, for rear right-hand door. | 1 |
| DS 651-40a | Map pockets in the front right-hand door panel. Since July 1963. | 1 | DS 983-1n | Panel (trimmed) with arm rest and map pockets, for front left-hand door. U.S.A. Since July 1963. | 1 | D 983-75 | Panel (only) with arm rest, for front right-hand door. | 1 |
| DS 651-105 | Clip for securing map pockets on front panels. Since July 1963. | 8 | DS 983-1p | Panel (trimmed) with arm rest and map pockets, for front right-hand door. Since July 1963. | 1 | DS 983-75 | Panel (only) with arm rest, for front left-hand door. U.S.A. | 1 |
| D 841-57 | Protection strip for bottom of front door, left-hand, 523 mm long (R.VI). | 1 | DS 983-2f | Panel (trimmed) with arm rest for rear left-hand door. | 1 | DS 983-81 | Plug sealing clip, securing door panel (R. VI). | 44 |
| D 841-57a | Protection strip for bottom of front door, right-hand, 523 mm long (R.VI). | 1 | DS 983-2g | Panel (trimmed) with arm rest for rear right-hand door. | 1 | DM 986-95 | Trimming, lower, on centre pillar, left-hand (R. VI). | 1 |
| D 842-56 | Protection strip for bottom of rear door, left-hand, 350 mm long (R.VI). | 1 | DS 983-10 | Finishing beading for front door panel, left-hand (R. VI). | 1 | DM 986-95a | Trimming, lower, on centre pillar, right-hand (R. VI). | 1 |
| D 842-56a | Protection strip for bottom of rear door, right-hand, 350 mm long (R.VI). | 1 | DS 983-10a | Finishing beading for front door panel, right-hand (R. VI). | 1 | DM 986-100 | Trimming, upper, (grey leather cloth) on centre pillar, left-hand. | 1 |
| D 941-1 | Arm rest (only) for front and rear doors, left-hand. (R. VI). | 2 | DS 983-11 | Finishing beading for rear door panel, left-hand (R. VI). | 1 | DM 986-100a | Trimming, upper, (grey leather cloth) on centre pillar, right-hand. | 1 |
| D 941-1a | Arm rest (only) for front and rear doors, right-hand (R. VI). | 2 | DS 983-11a | Finishing beading for rear door panel, right-hand (R. VI). | 1 | 2.499-S | Screw, P.K., 3.5 x 9.5, for securing strip at bottom of door (R. VI). | As nec. |
| D 941-2 | Metallic casing for arm rests of front and rear left-hand doors (R. VI). | 2 | DS 983-53 | Trim, leather cloth, lower, for bottom of rear left-hand door. | 1 | 619.766 | Clip securing door trimming panel (R. VI). | 40 |
| D 941-2a | Metallic casing for arm rests of front and rear right-hand doors (R. VI). | 2 | DS 983-53a | Trim, leather cloth, lower, for bottom of rear right-hand door. | 1 | 619.778 | Clip securing door trimming panel (R. VI). | 4 |
| DM 983-1 | <i>Panel (trimmed) without arm rest, for front left-hand door. Until October 1961. No longer supplied.</i> | 1 | DS 983-58 | Trim, leather cloth, lower, for bottom of front left-hand door. | 1 | SPECIAL PARTS BERLINE WITH PARTITION | | |
| DS 983-1f | Panel (trimmed) with arm rest, for front left-hand door. U.S.A. Until July 1963. | 1 | DS 983-58a | Trim, leather cloth, lower, for bottom of front right-hand door. | 1 | D 841-19 | Panel for front door (leather cloth trim) left-hand. | 1 |
| DS 983-1g | Panel (trimmed) without arm rest, for front left-hand door. October 1961 - July 1963. | 1 | D 983-59 | Panel (only) without arm rest, for front left-hand door. | 1 | D 841-20 | Panel for front door (leather cloth trim) right-hand. | 1 |

NOTE: The trimmed panels are supplied against samples (material or leather or leather cloth) if available.

Catalogue No. 470 - January 1967.

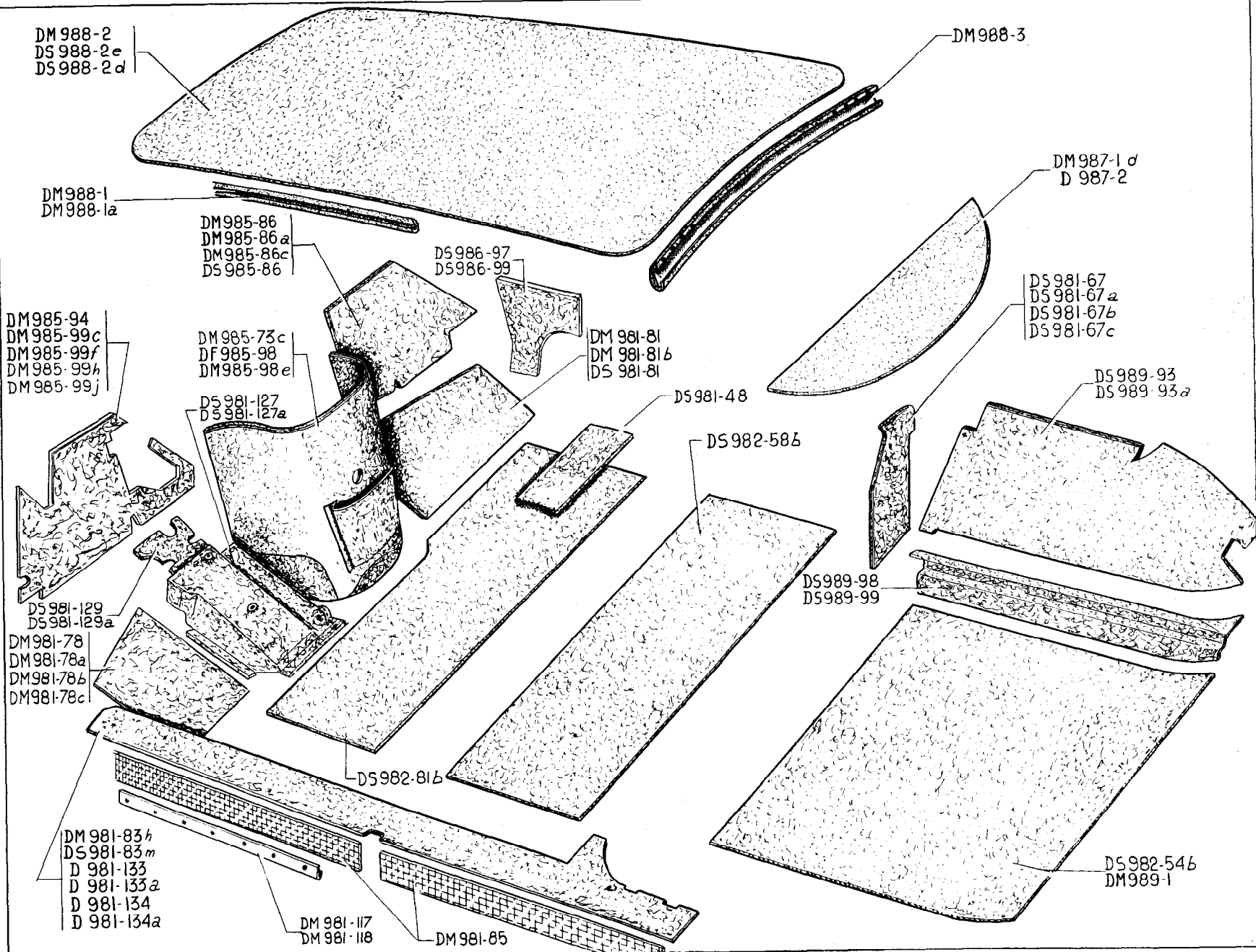
364-TRIMMING FOR FRONT AND REAR DOORS AND CENTRE PILLAR

| NUMBER | DESCRIPTION | No. OFF | NUMBER | DESCRIPTION | No. OFF | NUMBER | DESCRIPTION | No. OFF |
|-----------|--|---------|-------------|--|---------|------------|---|---------|
| | EXCEPT CONFORT EQUIPMENT | | | | | | | |
| DM 941-1 | Arm rest (sheet metal) for rear panel. | 2 | 2.324-S | Nut, square, 5 x 75, for cage securing arm rest (R. III). | 2 | DM 983-74 | Panel (only) for rear door, right-hand. | 1 |
| 619.766 | Clip securing door trimming panel (R. VI). | 40 | DM 941-3 | Trimming, plastic, for rear panel arm rest (state colour, grey or blue). | 2 | DM 983-1b | Panel (trimmed) without arm rest for front left-hand door. | 1 |
| 619.778 | Clip securing door trimming panel (R. VI). | 4 | DM 986-95 | Trimming, lower, on centre pillar, left-hand (R. VI). | 1 | DM 983-12b | Panel (trimmed) without arm rest for front right-hand door. | 1 |
| DS 983-81 | Plug sealing clip securing door panel (R. VI). | 44 | DM 986-95a | Trimming, lower, on centre pillar, right-hand (R. VI). | 1 | DM 983-2b | Panel (trimmed) without arm rest for rear left-hand door. | 1 |
| DM 941-91 | Cage nut securing arm rest. | 2 | DM 986-100 | Trimming, upper, (grey leather cloth) on centre pillar, left-hand. | 1 | DM 983-13b | Panel (trimmed) without arm rest for rear right-hand door. | 1 |
| | | | DM 986-100a | Trimming, upper (grey leather cloth) on centre pillar, right-hand. | 1 | 3.234-S | Washer, cupped, 6 mm diameter under screws securing arm rest (R. VI). | 2 |
| | | | D 983-59 | Panel (only) for front door. | 2 | 2.509-S 30 | Screw, raised head, countersunk, 5 x 25 (cruciform slot) for securing arm rest (R. VI). | 2 |
| | | | DM 983-71 | Panel (only) for rear door, left-hand. | 1 | 621.062 | <i>Secrew, 5 x 14, for securing arm rest. Replaced by 283-S 30.</i> | 4 |

NOTE: The trimmed panels are supplied against samples (material or leather cloth) if available.

| NUMBER | DESCRIPTION | No. OFF | NUMBER | DESCRIPTION | No. OFF | NUMBER | DESCRIPTION | No. OFF | |
|-----------------------|---|---------|------------------------------|---|---------|-------------------------------|--|--|---|
| HEAD-REST | | | | | | | | | |
| DM 942-94 | Headrest spring case, for quarter panel, left-hand. | 1 | DS 971-50 | Spring for swan neck spindle (R. VI). | 2 | DM 981-1e | Front carpet (moquette). Left-hand steering. Until August 1961. | 1 | |
| DM 942-94a | Headrest spring case, for quarter panel, right-hand. | 1 | DS 971-54 | Return spring for hood articulation (R. VI). | 2 | DM 981-1h | Front carpet (moquette). Left-hand steering. August 1961 - September 1962. | 1 | |
| DM 942-2 | Trimming, made up, for headrest, left-hand. (Supplied against sample) | 1 | DS 971-56 | Screw securing hood articulation rods (R. VI). | 12 | DM 981-1p | Front carpet (moquette). Left-hand steering. Since September 1962. | 1 | |
| DM 942-2a | Trimming, made up, for headrest, right-hand. (Supplied against sample). | 1 | CARPET BERLINE | | | | DM 981-1v | Front carpet (moquette). Right-hand steering. Since November 1963. | 1 |
| HOOD CABRIOLET | | | | | | DM 981-3b | Front carpet (moquette). Right-hand steering. Until November 1963. | 1 | |
| DS 854-39 | Finishing strip for hood, left-hand (R. VI). | 1 | a) Except Confort Equipment. | | | DS 981-2c | Rear carpet (moquette). Since June 1966. Replaces earlier type. | 1 | |
| DS 854-39a | Finishing strip for hood, right-hand (R. VI). | 1 | DS 982-58c | Sound deadening lining under rear carpet. Since February 1964. Replaces earlier type. | 1 | CABRIOLET | | | |
| DS 971-39 | Clamp for hood, left-hand (R. VI). | 1 | DS 982-81b | Sound deadening lining under front carpet. Since September 1962. Replaces earlier type. | 1 | DS 982-81b | Sound deadening lining under rear carpet. | 1 | |
| DS 971-39a | Clamp for hood, right-hand (R. VI). | 1 | DM 981-1g | Front carpet (rubber). Left-hand steering. Until September 1962. Replaces earlier type. | 1 | DM 981-1r | Front carpet (R. VI). Until September 1962. | 1 | |
| DS 971-49 | Spindle for swan neck (R. VI). | 2 | DM 981-1d | Front carpet (rubber). Right-hand steering. Since November 1963. | 1 | DM 981-1u | Front carpet (R. VI). Since September 1962. | 1 | |
| DS 972-01 | Hood trimmed (without frame) (R..VI). | 1 | DM 981-1q | Front carpet (rubber). Left-hand steering. Since September 1962. | 1 | DS 981-8 | Rear carpet (R. VI). Until September 1962. | 1 | |
| DS 854-38 | Cover joint for hood finisher (R. VI). | 1 | DM 981-1y | Front carpet (rubber). Right-hand steering. Since November 1963. | 1 | DS 981-8a | Rear carpet (R. VI). Since September 1962. | 1 | |
| DS 972-3 | Loose cover for hood (R. VI). | 1 | DM 981-2 | Rear carpet (felt). Until September 1962. | 1 | BERLINE WITH PARTITION | | | |
| DS 971-38 | Handle for operating hood (R. VI). | 1 | DM 981-2f | Rear carpet (felt). Since September 1962. | 1 | D 981-7 | Front carpet (R. VI). Until September 1962. | 1 | |
| DS 971-81 | Rubber strip under hood side-member, left-hand (R. VI). | 1 | b) Confort Equipment. | | | DM 981-7 | Front carpet (R. VI). Since September 1963. | 1 | |
| DS 971-81a | Rubber strip under hood side-member, right-hand (R. VI). | 1 | DS 982-58c | Sound deadening lining under rear carpet. Since February 1964. Replaces earlier type. | 1 | D 981-8 | Rear carpet. Replaced by DS 981-2h. | 1 | |
| | | | DS 982-81b | Sound deadening lining under front carpet. Since September 1962. Replaces earlier type. | 1 | FIXING | | | |
| | | | | | | DS 981-138 | Clip, female, securing carpet with peg (R. VI). Since June 1961. | 6 | |
| | | | | | | 613.159 | Ball catch securing carpet (R. VI). Until June 1961. | 6 | |
| | | | | | | 613.158 | Cap for press-fastener securing carpet (R. VI). Until June 1961. | 6 | |
| | | | | | | DS 981-146 | Plate and male clip for securing carpet. Since June 1961. | 6 | |
| | | | | | | 2.746-S | Screw, P.K. roundhead, 4.85 x 16, securing plate (R. VI). | 6 | |

NOTE: - For the Cabriolet, state colours: for the carpet, carpet clips and leather for the seats.



366—TRIMMING AND SOUND PROOFING OF BODY

| NUMBER | DESCRIPTION | No. OFF | NUMBER | DESCRIPTION | No. OFF | NUMBER | DESCRIPTION | No. OFF |
|-------------------|---|---------|------------|--|---------|------------|---|---------|
| | ROOF | | | | | | | |
| DM 988-1 | Finishing rubber for interior of roof, 3850 mm long (R. VI). Until September 1962. | 1 | DS 981-81 | Lining for dashframe panel, lower, right-hand. Since September 1962. | 1 | DS 985-86 | Lining for upper part of dashframe panel, right-hand. Since September 1962. | 1 |
| DM 988-1a | Finishing rubber for interior of roof, 3850 mm long. Since September 1962. | 1 | DM 981-83h | <i>Lining for sidemember and body siderail, left-hand. BERLINE. Until January 1965. Replaced by DS 981-44e.</i> | 1 | DM 985-94 | <i>Lining (felt) for upper part of dashframe panel, left-hand. Until August 1961. No longer supplied.</i> | 1 |
| DM 988-2 | Sound proof lining with cloth for roof (grey-beige). Since August 1961. | 1 | DS 981-83m | <i>Lining for sidemember and body siderail, right-hand. BERLINE. Until January 1965. Replaced by DS 981-44f.</i> | 1 | DF 985-98 | <i>Lining (felt) for engine housing panel. Until September 1962. No longer supplied.</i> | 1 |
| DS 988-2e | <i>Sound proof lining with cloth for roof (beige). Export. Replaces earlier type. No longer supplied.</i> | 1 | DM 981-85 | Lining (aluminium appearance), for body siderail. | 4 | DM 985-99f | Lining (felt) for upper part of dashframe panel, left-hand. August 1961 - September 1962. | 1 |
| DS 988-2d | Sound proof lining with cloth for roof (grey). Export. Replaces earlier type. | 1 | DM 981-117 | Frame for sealing strip for front doors. | 2 | DM 985-99h | Lining for upper part of dashframe panel, left-hand. Since September 1962. | 1 |
| | DASHFRAME | | DM 981-118 | Frame for sealing strip for rear doors. | 2 | DS 986-97 | Lining for lateral scuttle panel, right-hand. Since September 1962. | 1 |
| <u>DS 981-44e</u> | Lining for sidemember and body siderail, left-hand. BERLINE. Since January 1965. | 1 | DS 981-127 | Trimming for pedal board (R. VI). Since September 1962. | 1 | DS 986-99 | Lining for lateral scuttle panel, left-hand. Since September 1962. | 1 |
| <u>DS 981-44f</u> | Lining for sidemember and body siderail, right-hand. BERLINE. Since January 1965. | 1 | DS 981-129 | Sound deadening felt for pedal board. Since September 1962. | 1 | | SPECIAL PARTS RIGHT-HAND STEERING Until September 1962 | |
| DM 981-78 | Lining for dashframe panel, lower, left-hand. Until August 1961. | 1 | D 981-133 | Lining, front, for sidemember, left-hand (R. VI). BERLINE with partition. | 1 | DM 985-86a | Lining (felt) for upper part of dashframe panel, right-hand. | 1 |
| DM 981-78a | Lining for dashframe panel, lower, left-hand. August 1961 - September 1962. | 1 | D 981-133a | Lining, front, for sidemember, right-hand (R. VI). BERLINE with partition. | 1 | DM 985-98e | Lining (felt) for engine housing panel. | 1 |
| DM 981-78b | Lining for dashframe panel, lower, left-hand. Since September 1962. | 1 | D 981-134 | Lining, rear, for sidemember, left-hand (R. VI). BERLINE with partition. | 1 | DM 985-99c | Lining (felt) for upper part of dashframe panel, left-hand. | 1 |
| DM 981-81 | <i>Lining for dashframe panel, lower, right-hand. Until September 1962. Replaced by DS 981-81.</i> | 1 | D 981-134a | Lining, rear, for sidemember, right-hand (R. VI). BERLINE with partition. | 1 | | | |
| | | | DM 985-73c | Lining with map pockets on engine housing panel. Since July 1963. Replaces earlier type. | 1 | | | |
| | | | DM 985-86 | Lining (felt) for upper part of dashframe panel, right-hand. November 1959 - September 1962. | 1 | | | |

TRIMMING AND SOUND PROOFING OF BODY-369

| NUMBER | DESCRIPTION | No. OFF | NUMBER | DESCRIPTION | No. OFF | NUMBER | DESCRIPTION | No. OFF |
|-------------|--|---------|------------|---|---------|-------------------|---|---------|
| | SPECIAL PARTS RIGHT-HAND STEERING Since September 1962 | | D 987-2 | Lining for rear shelf (R. VI). BERLINE with partition. | 1 | <u>D 989-1</u> | Lining (felt) for boot. | 1 |
| DM 981-78c | Lining for dashframe panel, lower part, left-hand. | 1 | DM 988-3 | Lining, upper, for rear window. | 1 | DM 989-1 | <i>Lining (felt) for boot. Replaced by D 989-1.</i> | 1 |
| DM 981-18b | Lining for dashframe panel, lower part, right-hand. | 1 | | BOOT | | DS 989-93 | Lining (felt) for wheel passage, left-hand. | 1 |
| DS 981-127a | Lining for pedal board. | 1 | DS 981-67 | Lining (felt) for wheel arch closing panel, left-hand. Until September 1962. | 1 | DS 989-93a | Lining (felt) for wheel passage, right-hand. | 1 |
| DS 981-129a | Sound deadening felt for pedal board. | 1 | DS 981-67a | Lining (felt) for wheel arch closing panel, right-hand. Until September 1962. | 1 | DS 989-98 | Lining (felt) for rear sidemember, right-hand. | 1 |
| DM 985-73c | Lining with map pockets for engine housing panel. | 1 | DS 981-67b | Lining (felt) for wheel arch closing panel, left-hand. Since September 1962. | 1 | DS 989-99 | Lining (felt) for rear sidemember, left-hand. | 1 |
| DM 985-86c | Lining (felt) for dashframe panel, upper part, right-hand. | 1 | | FLOOR | | | | |
| DM 985-99j | Lining (felt) for dashframe panel, upper part, left-hand. | 1 | DS 981-67c | Lining (felt) for wheel arch closing panel, right-hand. Since September 1962. | 1 | DS 981-48 | <i>Lining (felt) for crossmember under front seats. Replaced by DS 981-48c.</i> | 1 |
| | REAR WINDOW | | DS 982-54b | Sound proof lining for boot. Since September 1962. | 1 | <u>DS 981-48c</u> | Lining for crossmember under front seats. Since January 1965. | 1 |
| DM 987-1d | Lining for rear shelf. BERLINE. Since September 1962. Replaces earlier type. | 1 | | | | DS 982-58b | <i>Sound deadening lining under rear carpet. Since September 1962. Replaces earlier type. Replaced by DS 982-58c.</i> | 1 |
| | | | | | | <u>DS 982-58c</u> | Sound deadening lining under rear carpet. | 1 |
| | | | | | | DS 982-81b | Sound deadening lining under front carpet. Since September 1962. Replaces earlier type. | 1 |

The numbers underlined indicate new parts which do not appear on the illustration.

370—SAFETY HARNESS

| NUMBER | DESCRIPTION | No. OFF | NUMBER | DESCRIPTION | No. OFF | NUMBER | DESCRIPTION | No. OFF |
|-----------|--|---------|-----------|---|---------|-----------|---|---------|
| DS 616-87 | Anchor ring for safety harness on floor (R. VI). Until April 1964. | 10 | 2.300-S | Nut, hex., 12 x 125, for securing anchor ring (R. III). Until April 1964. | 6 | DS 616-97 | Plate for securing safety harness on floor (R. VI). | 1 |
| AM 616-87 | Anchor ring for safety harness on floor (R. VI). Since April 1964. | 10 | 615.530 | Nut, special, for securing anchor ring (R. III). Since April 1964. | 6 | DS 616-94 | Washer, 64 x 49.5 x 4, with flat for reinforcement under floor (R. VI). | 4 |
| DS 616-1 | Safety harness, 3 straps, (R. VI). Except GERMANY. | 4 | 619.634 | Grommet, male and female, for passage of safety harness on rear carpet (R. VI). | 2 | 2.662-S | Washer, plain, 12.5 x 22, for plate securing anchor ring, central part (R. III). | 2 |
| DS 616-1a | Safety harness, 3 straps (R. VI). GERMANY. | 4 | DS 616-88 | Plate for securing safety harness on centre pillar. | 2 | 2.694-S | Washer, shakeproof, 12.5 x 22 for securing anchor ring (R. VI). | 10 |
| | | | | | | 621.089 | Screw (chromed head) for securing plate on centre pillar threaded 9 x 125, 22 mm long under head (R. VI). | 4 |

Printed in England
by
PHOTOLITH TECHNICAL SERVICES LTD. . HOUNSLOW.